



US00D675792S

(12) **United States Design Patent**
Eng et al.

(10) **Patent No.:** **US D675,792 S**
(45) **Date of Patent:** **** Feb. 5, 2013**

(54) **LIGHTED DISHWASHER DOOR**

(75) Inventors: **Lindsay Eng**, Long Beach, CA (US);
Michael Georg Rosenbauer,
Reimlingen (DE); **Metin Tastan**,
Dillingen (DE); **Ralf Winkler**,
Wittislingen (DE)

(73) Assignee: **BSH Home Appliances Corporation**,
Irvine, CA (US)

(**) Term: **14 Years**

(21) Appl. No.: **29/410,163**

(22) Filed: **Jan. 5, 2012**

Related U.S. Application Data

(63) Continuation-in-part of application No. 13/043,504,
filed on Mar. 9, 2011.

(51) **LOC (9) Cl.** **15-05**

(52) **U.S. Cl.** **D32/3**

(58) **Field of Classification Search** D32/1,
D32/2, 3, 25, 28; 312/31, 109, 228; 134/56 D,
134/57 D, 58 D, 58 DL, 201; D7/340, 348,
D7/349, 350, 405

See application file for complete search history.

(56) **References Cited**

U.S. PATENT DOCUMENTS

2,703,581 A * 3/1955 Culhane 134/133
D473,980 S * 4/2003 Bowser et al. D32/3
D512,544 S * 12/2005 Jeong et al. D32/3

D515,255 S * 2/2006 Jeong D32/3
D544,657 S * 6/2007 Jung et al. D32/2
D580,603 S * 11/2008 Busalt et al. D32/3
D622,915 S * 8/2010 Crookshanks et al. D32/3
2011/0031856 A1* 2/2011 Haltmayer et al. 312/228

* cited by examiner

Primary Examiner — T. Chase Nelson

Assistant Examiner — Kathleen M Sims

(74) *Attorney, Agent, or Firm* — James E. Howard; Andre
Pallapies

(57) **CLAIM**

The ornamental design for a lighted dishwasher door, as
shown and described.

DESCRIPTION

FIG. 1 is a front perspective view, from the top, of a lighted
dishwasher door showing our new ornamental design;

FIG. 2 is a front view thereof;

FIG. 3 is a top view thereof;

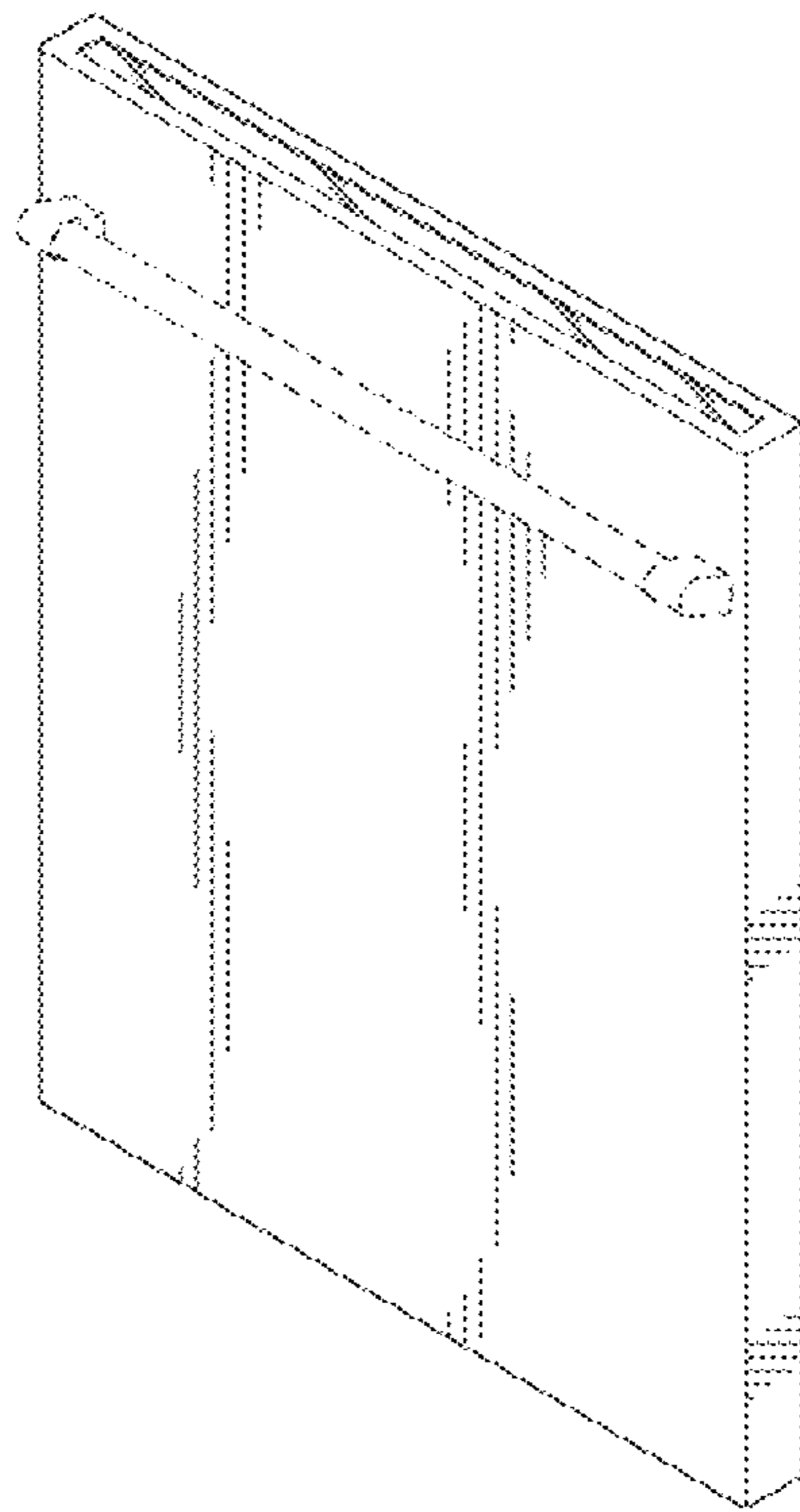
FIG. 4 is a cross sectional view of the door shown in FIG. 1;
and,

FIG. 5 is an enlarged view of the detail shown in FIG. 4.

The broken lines of the lighted dishwasher door show sur-
rounding structure or environment and do not form part of the
claimed design. The radiating broken lines in FIGS. 4 and 5
represent one or more light beams and form no part of the
claimed design.

The rear of the dishwasher door, and the bottom, sides, rear
and/or top of the dishwasher are unornamented or simply not
claimed and form no part of the claimed design.

1 Claim, 3 Drawing Sheets



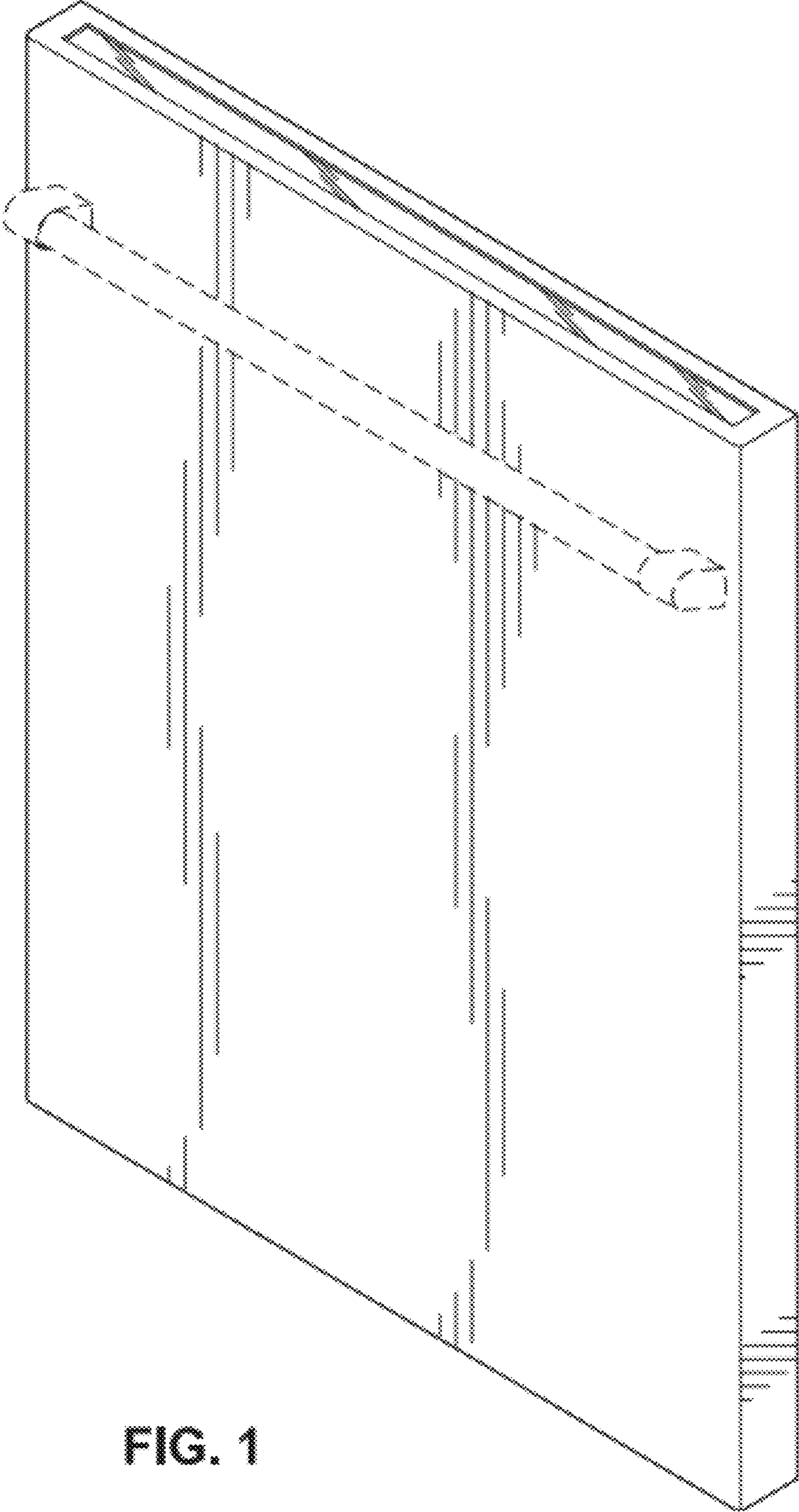


FIG. 1

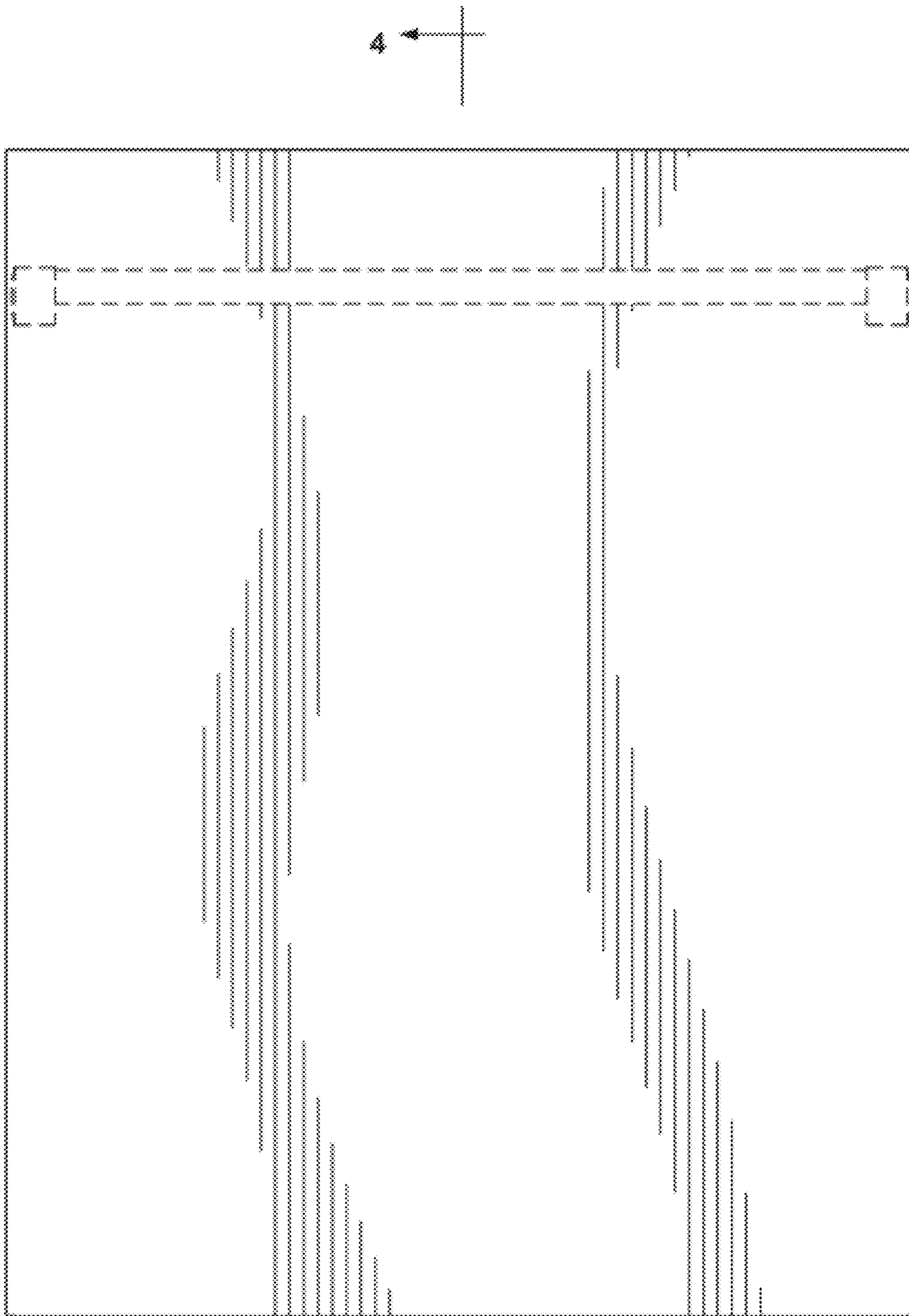


FIG. 2

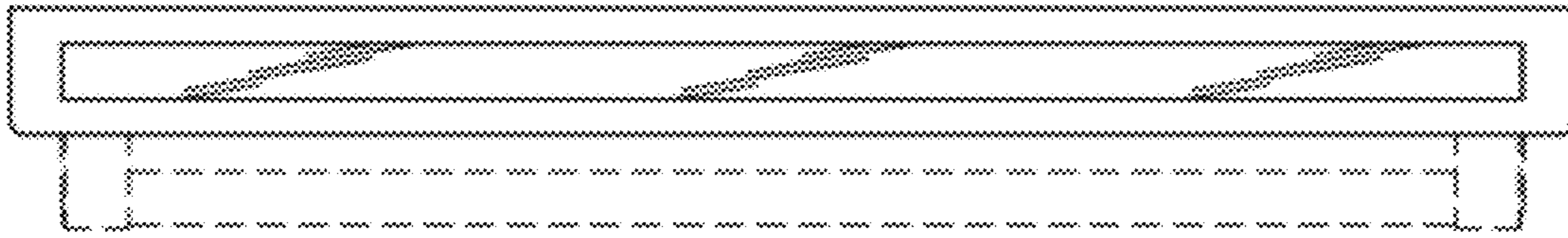


FIG. 3

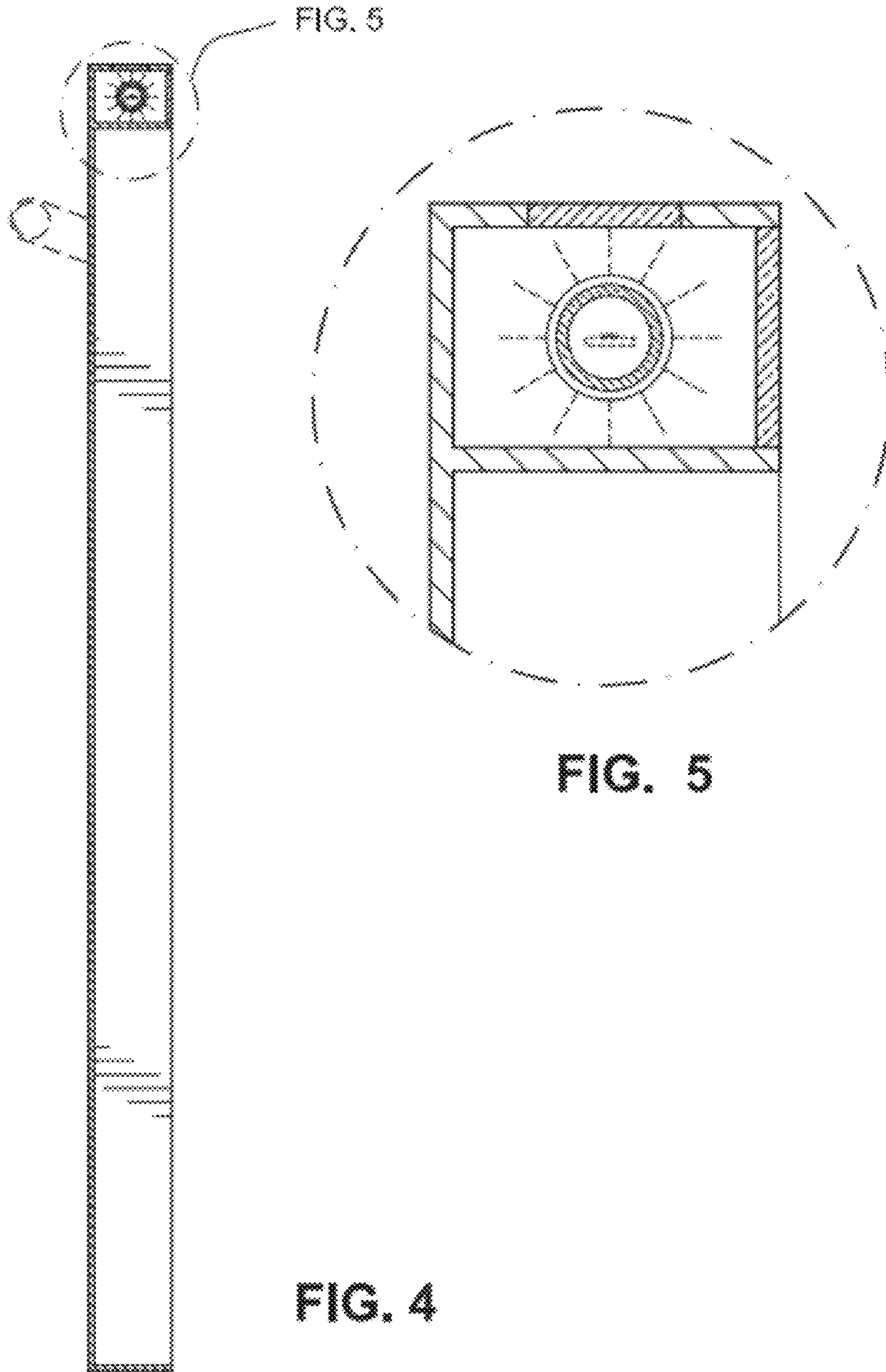


FIG. 5

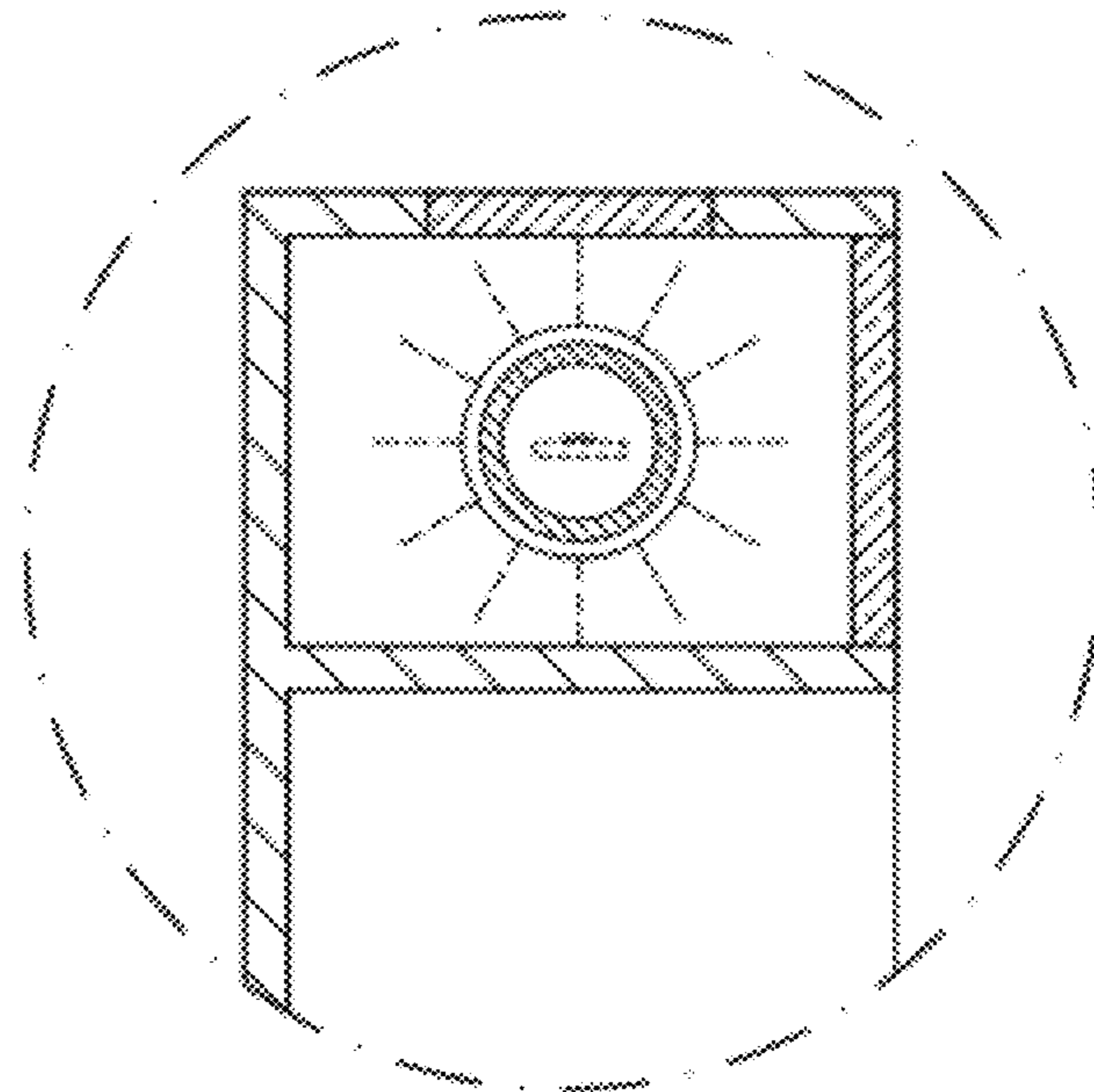


FIG. 5

FIG. 4