



US00D675782S

(12) **United States Design Patent**
Buck, Jr.

(10) **Patent No.:** **US D675,782 S**
(45) **Date of Patent:** **** Feb. 5, 2013**

- (54) **HAIR CLIPPER HOUSING LID**
- (75) Inventor: **Robert N. Buck, Jr.**, Rock Falls, IL
(US)
- (73) Assignee: **Wahl Clipper Corporation**, Sterling, IL
(US)
- (**) Term: **14 Years**
- (21) Appl. No.: **29/401,989**
- (22) Filed: **Sep. 19, 2011**
- (51) **LOC (9) Cl.** **28-03**
- (52) **U.S. Cl.** **D28/54**
- (58) **Field of Classification Search** D28/44-54;
30/34.1-34.2, 34.05, 32, 41.9, 43-43.92,
30/47-52, 42-46, 53-55, 57-73, 526-541,
30/74-84, 195-223, 341, 272.1, 226-227,
30/231, 233-233.5
See application file for complete search history.

- D534,689 S * 1/2007 Gross et al. D28/53
- D568,542 S 5/2008 Long et al.
- D571,504 S * 6/2008 Long et al. D28/54
- D577,865 S * 9/2008 Long et al. D28/54
- D597,253 S * 7/2009 Eddinger et al. D28/54
- D597,254 S 7/2009 Eddinger et al.

* cited by examiner

Primary Examiner — Jennifer Rivard
(74) *Attorney, Agent, or Firm* — Greer, Burns & Crain, Ltd.

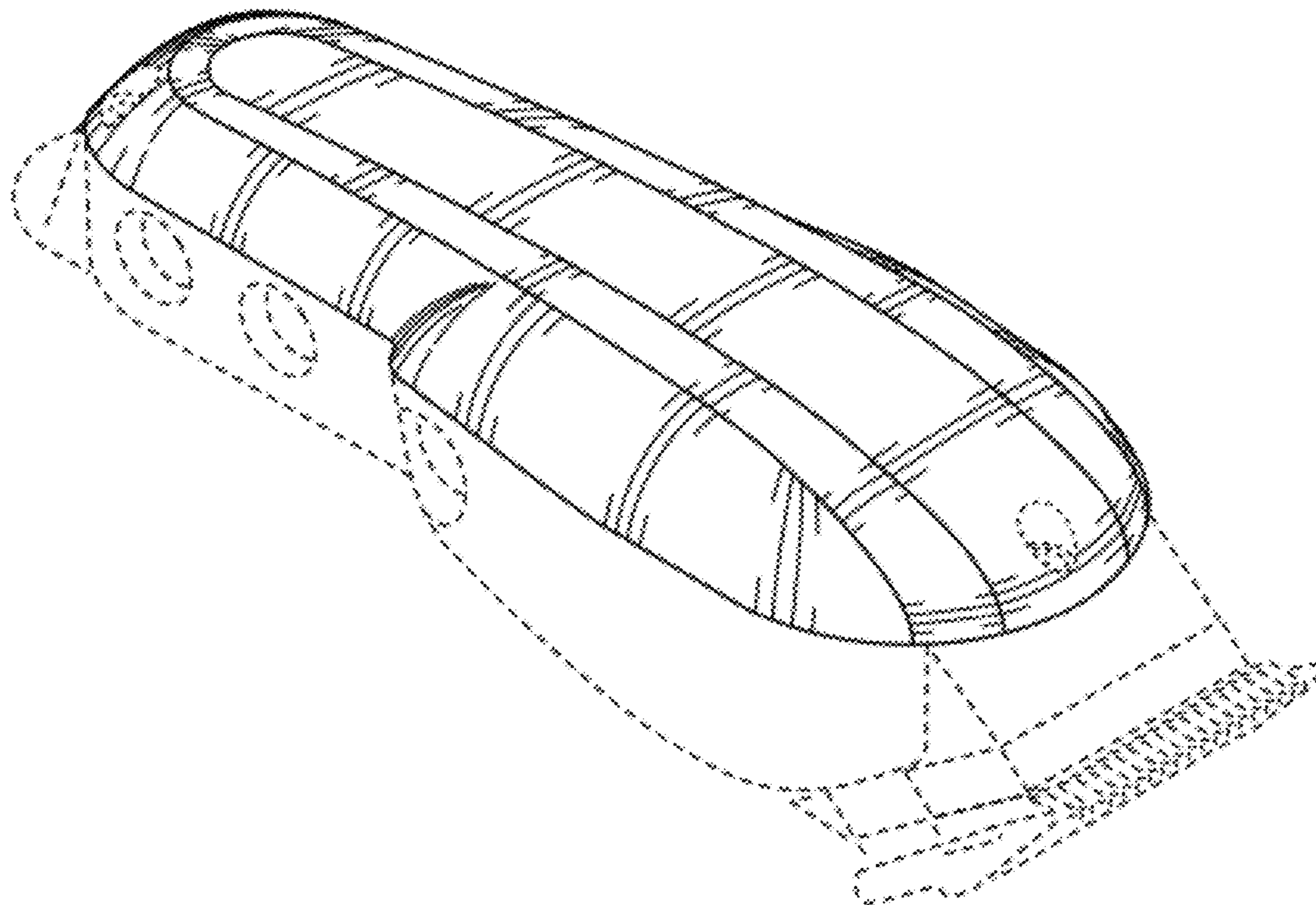
(57) **CLAIM**
The ornamental design for a hair clipper housing lid, as shown and described.

DESCRIPTION

FIG. 1 is a top perspective view of the present hair clipper housing lid;
FIG. 2 is a left side view of same;
FIG. 3 is a right side view of the hair clipper housing lid of FIG. 1;
FIG. 4 is a front view of same;
FIG. 5 is a rear view of the present hair clipper housing lid; and,
FIG. 6 is a top view of same.
The structure shown in broken lines is for environment purposes only and does not form part of the claimed invention.

1 Claim, 5 Drawing Sheets

- (56) **References Cited**
- U.S. PATENT DOCUMENTS
- 5,787,587 A 8/1998 Wahl et al.
- D435,936 S * 1/2001 Long et al. D28/54
- D455,230 S * 4/2002 Lau D28/53
- D500,392 S 12/2004 Buck, Jr. et al.



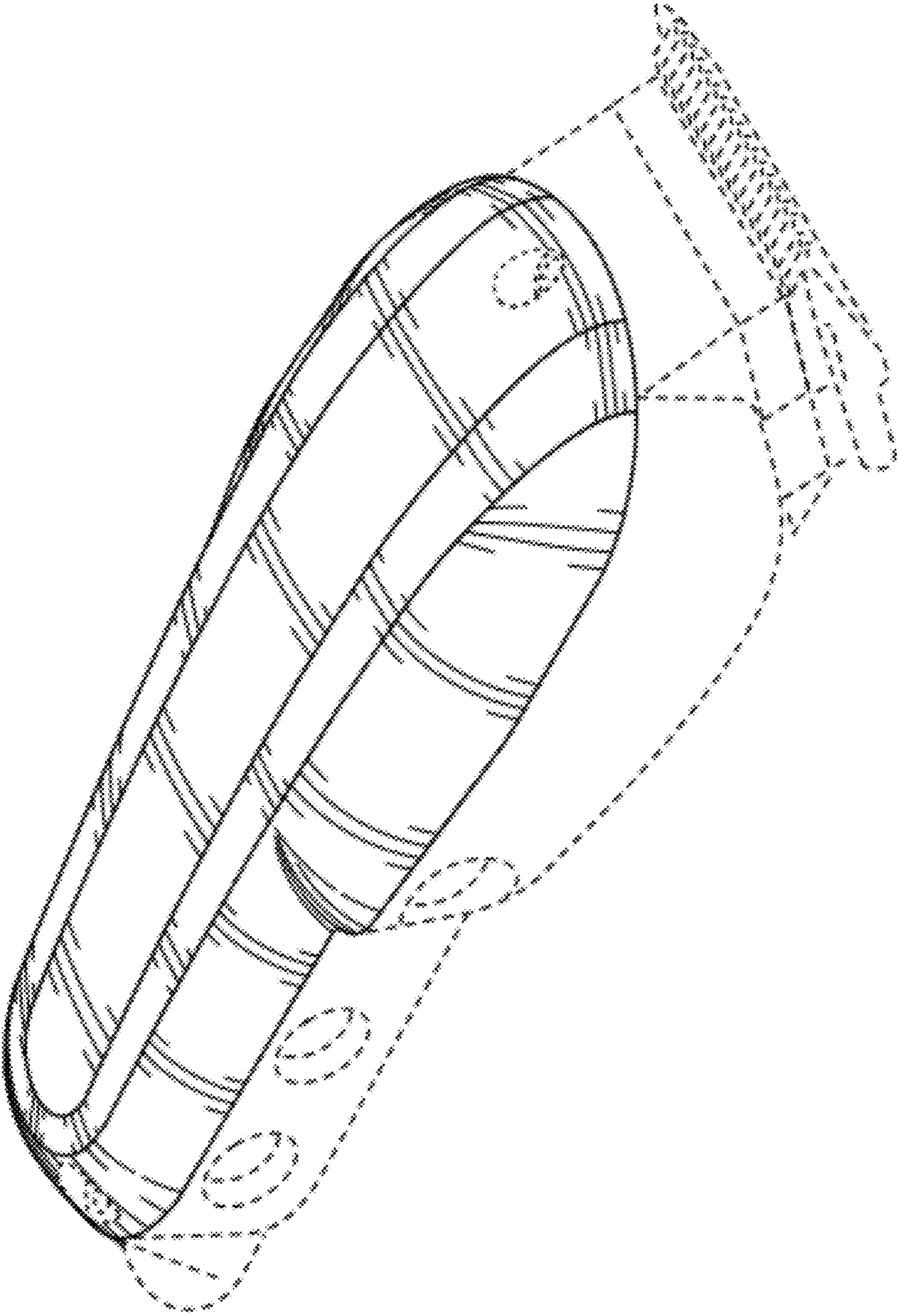


FIG. 1

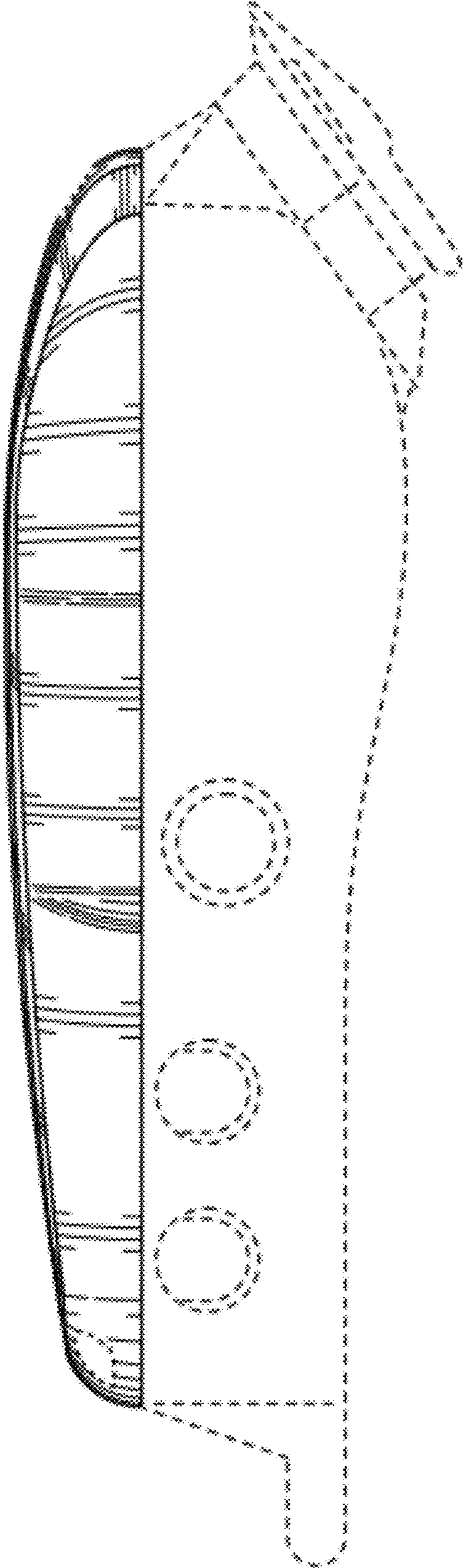


FIG. 2

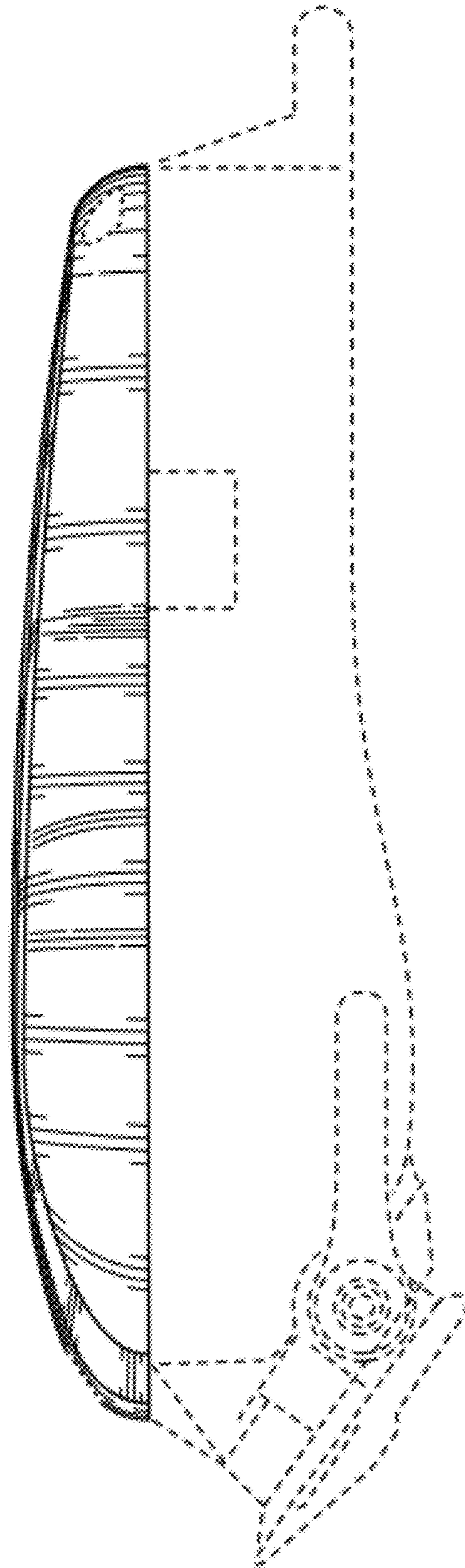


FIG. 3

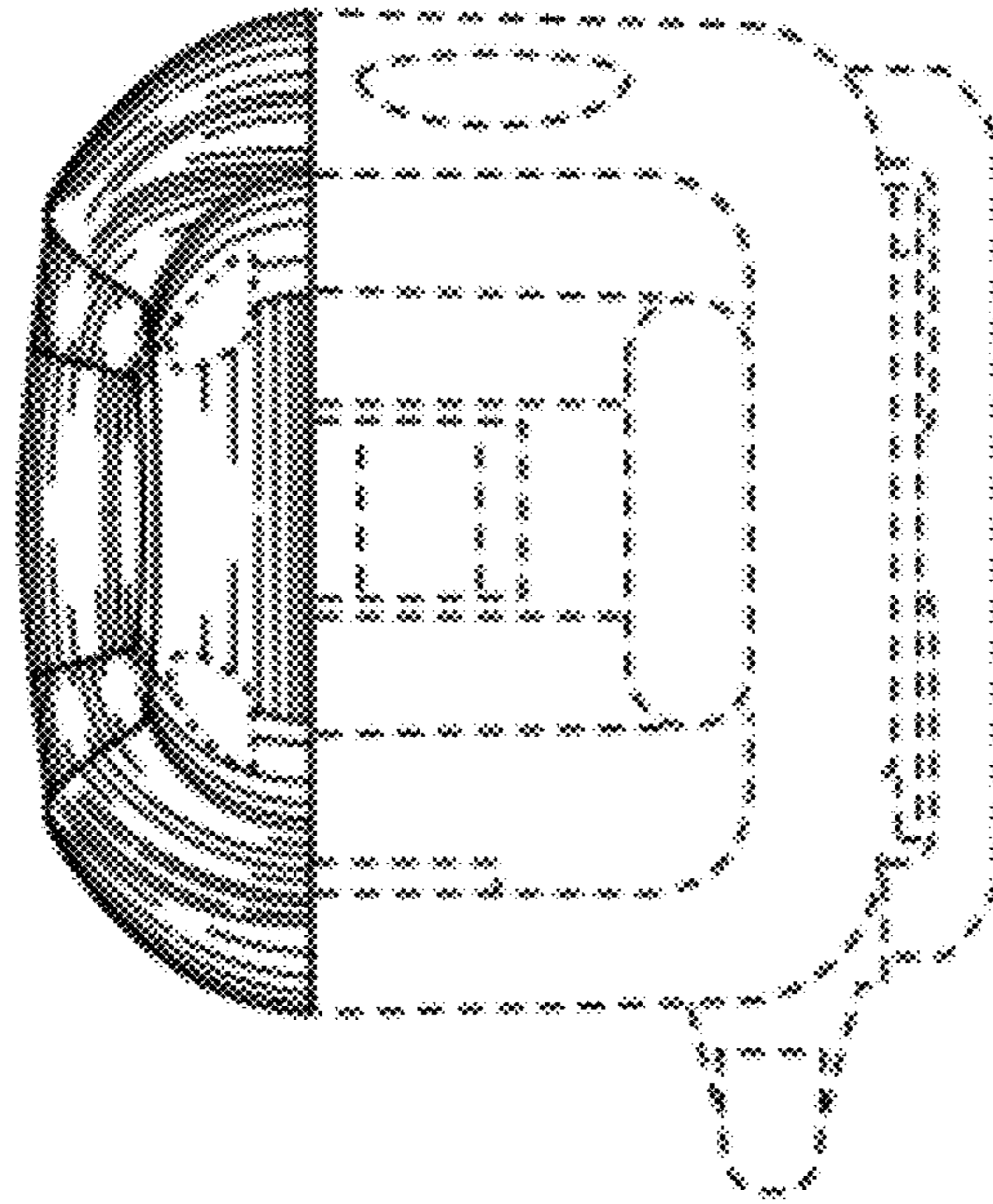


FIG. 5

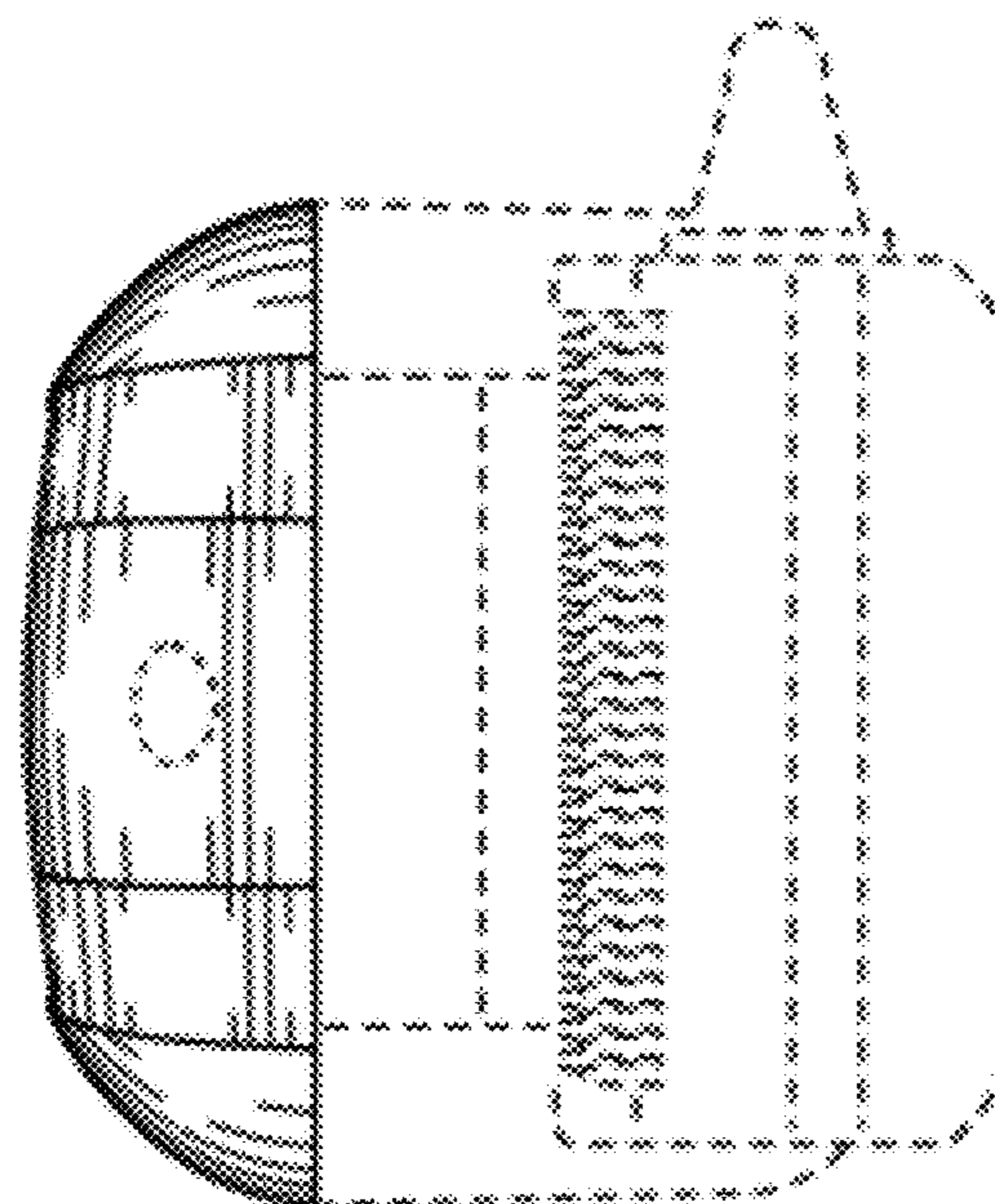


FIG. 4

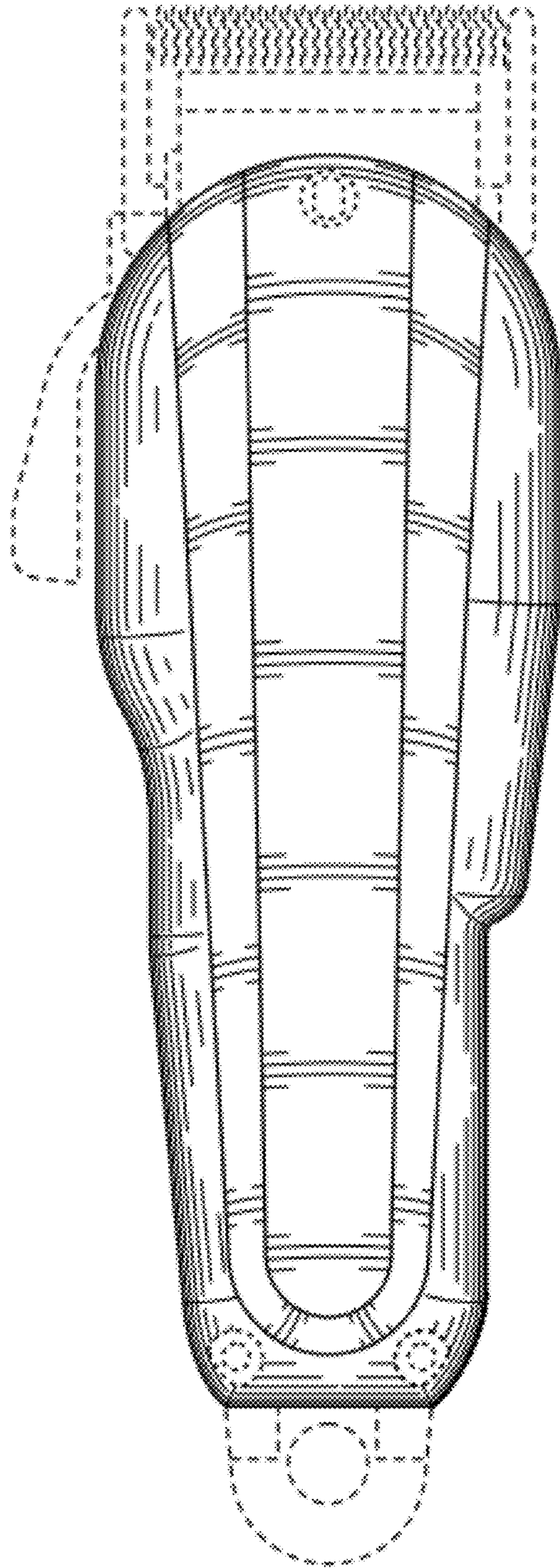


FIG. 6

UNITED STATES PATENT AND TRADEMARK OFFICE
CERTIFICATE OF CORRECTION

PATENT NO. : D675,782 S
APPLICATION NO. : 29/401989
DATED : February 5, 2013
INVENTOR(S) : Buck, Jr. et al.

Page 1 of 1

It is certified that error appears in the above-identified patent and that said Letters Patent is hereby corrected as shown below:

Title Page, Item (12) delete "Buck, Jr." and insert --Buck, Jr. et al.--.

Title Page, Item (75) Inventor, should read

--(75) Inventors: Robert N. Buck, Jr., Rock Falls, IL (US); Chad Aulwes, Sterling, IL (US)--.

Signed and Sealed this
Twenty-second Day of March, 2016



Michelle K. Lee
Director of the United States Patent and Trademark Office