



US00D675775S

(12) **United States Design Patent**  
**Stathis**

(10) **Patent No.:** **US D675,775 S**  
(45) **Date of Patent:** **\*\* Feb. 5, 2013**

(54) **FLAT PANEL LIGHT FIXTURE**

**DESCRIPTION**

- (75) Inventor: **Peter Stathis**, San Francisco, CA (US)
- (73) Assignee: **Humanscale Corporation**, New York, NY (US)
- (\*\*) Term: **14 Years**
- (21) Appl. No.: **29/420,870**
- (22) Filed: **May 14, 2012**
- (51) **LOC (9) Cl.** ..... **26-99**
- (52) **U.S. Cl.** ..... **D26/120**
- (58) **Field of Classification Search** ..... D26/1,  
D26/2, 118, 113, 138, 119, 120, 121, 122,  
D26/76, 77, 75, 78, 85, 86, 89, 90, 62, 64,  
D26/65, 66, 63, 73, 72, 74, 68, 71, 28, 123,  
D26/124, 127, 128, 129, 134, 135, 132, 139,  
D26/154, 155, 152, 149, 148, 145, 143, 142,  
D26/140, 141, 153, 144, 91, 92, 29, 24, 25,  
D26/26, 8, 114, 37, 87; 362/202, 347, 349,  
362/362, 419, 96, 192, 145, 294, 326, 267,  
362/373, 249.01–249.12; D13/102, 179,  
D13/180

See application file for complete search history.

(56) **References Cited**

**U.S. PATENT DOCUMENTS**

- D80,480 S \* 2/1930 Edelman ..... D26/105
- 1,843,781 A \* 2/1932 Pearson ..... 362/290
- D201,793 S 5/1966 Rodriguez

(Continued)

**OTHER PUBLICATIONS**

US Design Application “Lamp”; U.S. Appl. No. 29/393,630, filed Jun. 7, 2011.

(Continued)

*Primary Examiner* — Kevin Rudzinski

(74) *Attorney, Agent, or Firm* — Jones Walker Waechter Poitevent Carrere & Denegre, LLP

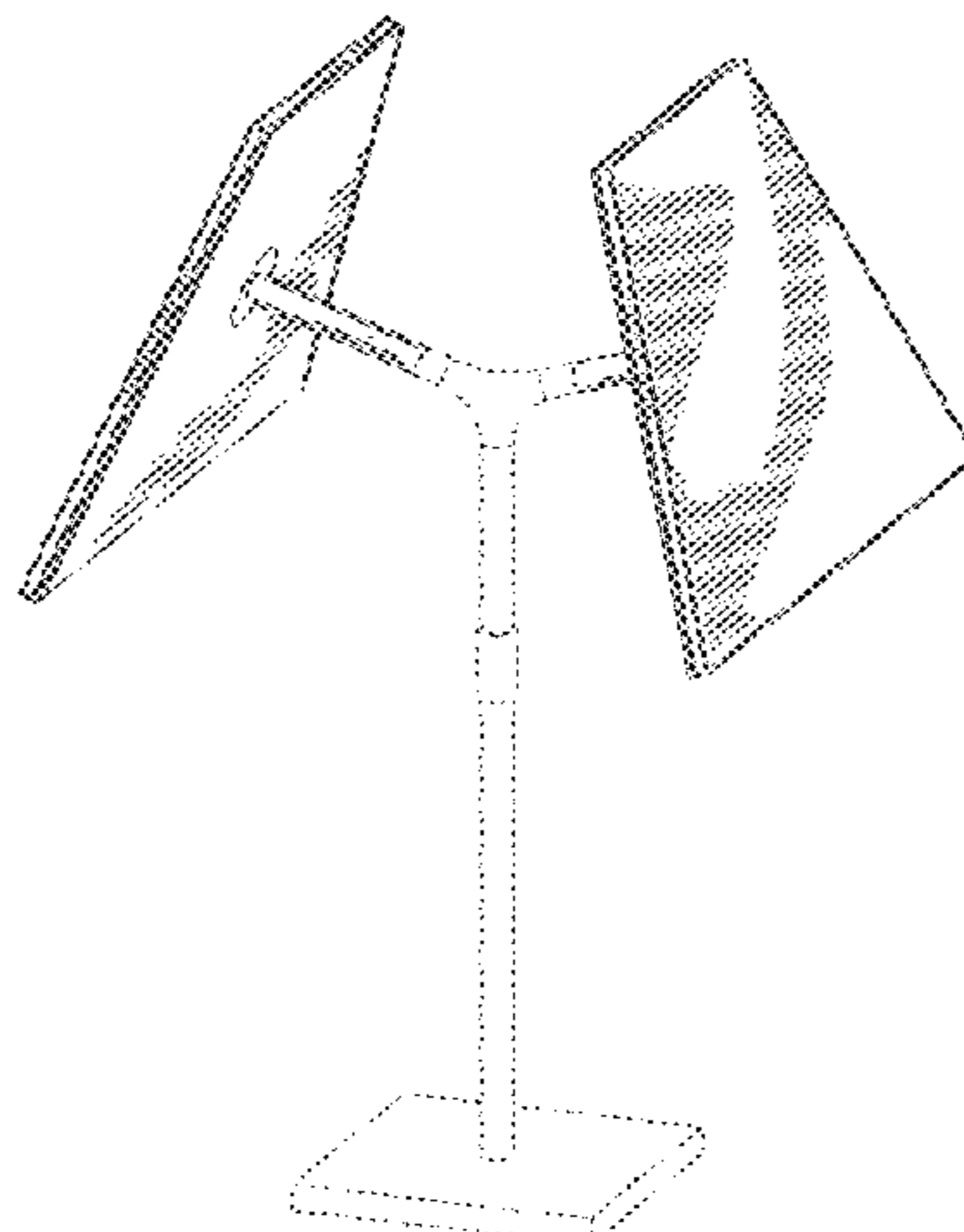
(57) **CLAIM**

I claim the ornamental design for a flat panel light fixture, as shown and described.

FIG. 1 is a right perspective view of a flat panel light fixture according to the present invention;  
 FIG. 2 is a front perspective view of the flat panel light fixture of FIG. 1;  
 FIG. 3 is a left perspective view of the flat panel light fixture of FIG. 1;  
 FIG. 4 is a front view of the flat panel light fixture of FIG. 1;  
 FIG. 5 is a rear view of the flat panel light fixture of FIG. 1;  
 FIG. 6 is a right side view of the flat panel light fixture of FIG. 1;  
 FIG. 7 is a left side view of the flat panel light fixture of FIG. 1;  
 FIG. 8 is a top view of the flat panel light fixture of FIG. 1;  
 FIG. 9 is a bottom view of the flat panel light fixture of FIG. 1;  
 FIG. 10 is a perspective view of the flat panel light fixture according to a second embodiment of the present invention;  
 FIG. 11 is a front perspective view of the flat panel light fixture of FIG. 10;  
 FIG. 12 is a left perspective view of the flat panel light fixture of FIG. 10;  
 FIG. 13 is a front view of the flat panel light fixture of FIG. 10;  
 FIG. 14 is a rear view of the flat panel light fixture of FIG. 10;  
 FIG. 15 is a right side view of the flat panel light fixture of FIG. 10;  
 FIG. 16 is a left side view of the flat panel light fixture of FIG. 10;  
 FIG. 17 is a top view of the flat panel light fixture of FIG. 10;  
 FIG. 18 is a bottom view of the flat panel light fixture of FIG. 10;  
 FIG. 19 is a perspective view of the flat panel light fixture according to a third embodiment of the present invention;  
 FIG. 20 is a front perspective view of the flat panel light fixture of FIG. 19;  
 FIG. 21 is a left perspective view of the flat panel light fixture of FIG. 19;  
 FIG. 22 is a front view of the flat panel light fixture of FIG. 19;  
 FIG. 23 is a rear view of the flat panel light fixture of FIG. 19;  
 FIG. 24 is a right side view of the flat panel light fixture of FIG. 19;  
 FIG. 25 is a left side view of the flat panel light fixture of FIG. 19;  
 FIG. 26 is a top view of the flat panel light fixture of FIG. 19;  
 and,  
 FIG. 27 is a bottom view of the flat panel light fixture of FIG. 19.

The broken lines shown in the drawings illustrate environmental structure and form no part of the claimed design.

**1 Claim, 21 Drawing Sheets**



# US D675,775 S

Page 2

## U.S. PATENT DOCUMENTS

D204,793 S \* 5/1966 Rodriguez ..... D26/63  
D226,535 S \* 3/1973 Anderson, Jr. .... D26/67  
D265,001 S \* 6/1982 Graham ..... D26/104  
D303,849 S \* 10/1989 Nugent ..... D26/85  
5,057,980 A \* 10/1991 Russell ..... 362/147  
D362,082 S \* 9/1995 McDowell ..... D26/152  
D405,208 S \* 2/1999 Walz ..... D26/86  
D415,305 S \* 10/1999 Putman ..... D26/87  
D417,748 S \* 12/1999 Miranda ..... D26/135  
D455,223 S \* 4/2002 Crosby ..... D26/85  
D456,932 S \* 5/2002 Crosby ..... D26/85  
D468,854 S \* 1/2003 Chen ..... D26/93  
D502,282 S 2/2005 Waldmann  
D512,175 S \* 11/2005 Santachiara ..... D26/108  
D529,222 S 9/2006 Waldmann  
D537,553 S \* 2/2007 Kotovsky et al. .... D26/75  
D542,965 S \* 5/2007 Layne ..... D26/128  
D556,362 S \* 11/2007 Pfund et al. .... D26/94  
D564,695 S \* 3/2008 Krause ..... D26/86  
D565,778 S \* 4/2008 Pedersen ..... D26/84  
D617,928 S 6/2010 Fredricks  
D623,339 S \* 9/2010 Schlabach ..... D26/85  
D623,795 S \* 9/2010 Ngai et al. .... D26/88  
D626,276 S \* 10/2010 Sabernig ..... D26/85  
D629,556 S \* 12/2010 Alter et al. .... D26/118  
D635,709 S \* 4/2011 Federico et al. .... D26/84

D641,915 S 7/2011 Waldmann  
D643,144 S \* 8/2011 Waldmann ..... D26/93  
D645,197 S 9/2011 Waldmann  
D645,198 S 9/2011 Waldmann  
D648,060 S 11/2011 Yamamoto et al.  
D650,937 S 12/2011 Horsley  
D658,804 S 5/2012 Starck

## OTHER PUBLICATIONS

US Design Application "Flat Panel Light Fixture"; U.S. Appl. No. 29/420,868, filed May 14, 2012.

US Design Application "Lamp Head"; U.S. Appl. No. 29/393,628, filed Jun. 7, 2011.

Skitsch 2D LED Table ND Floor Lamps (see Non Patent Literature attachment); <http://www.skitsch.it/products/lamps#2D>; Dec. 31, 2009; [www.skitsch.com](http://www.skitsch.com).

\* cited by examiner

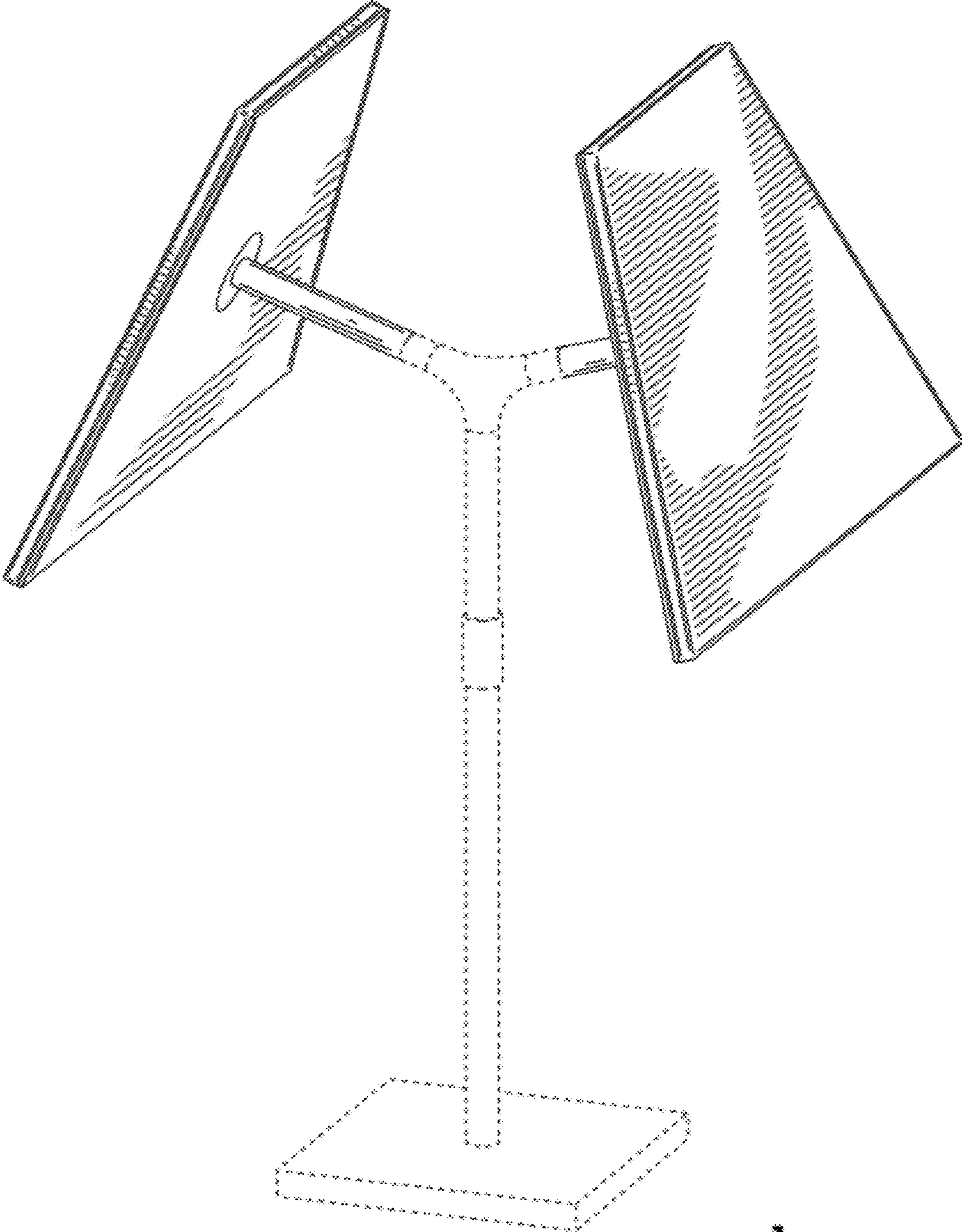


FIG. 1

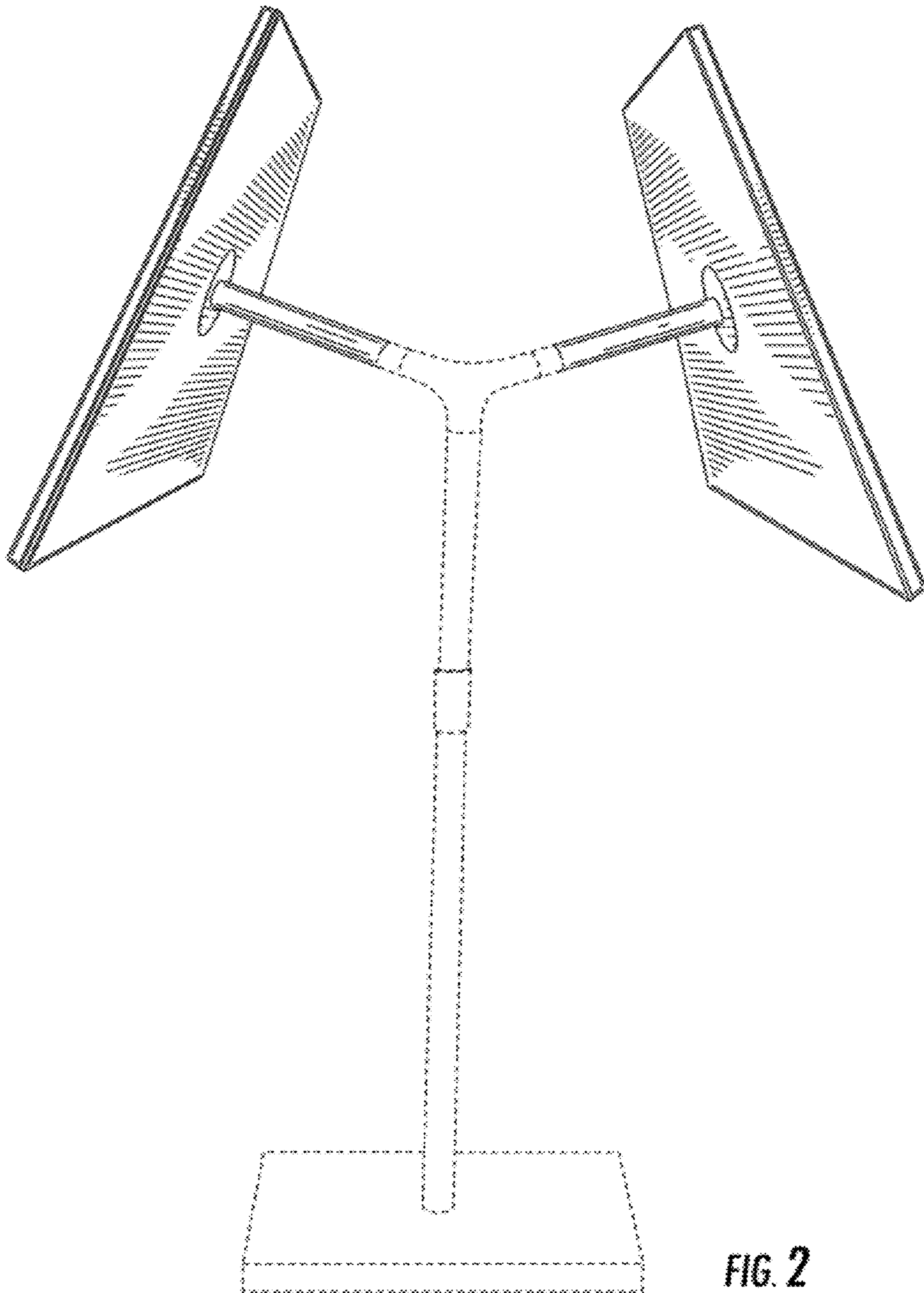


FIG. 2

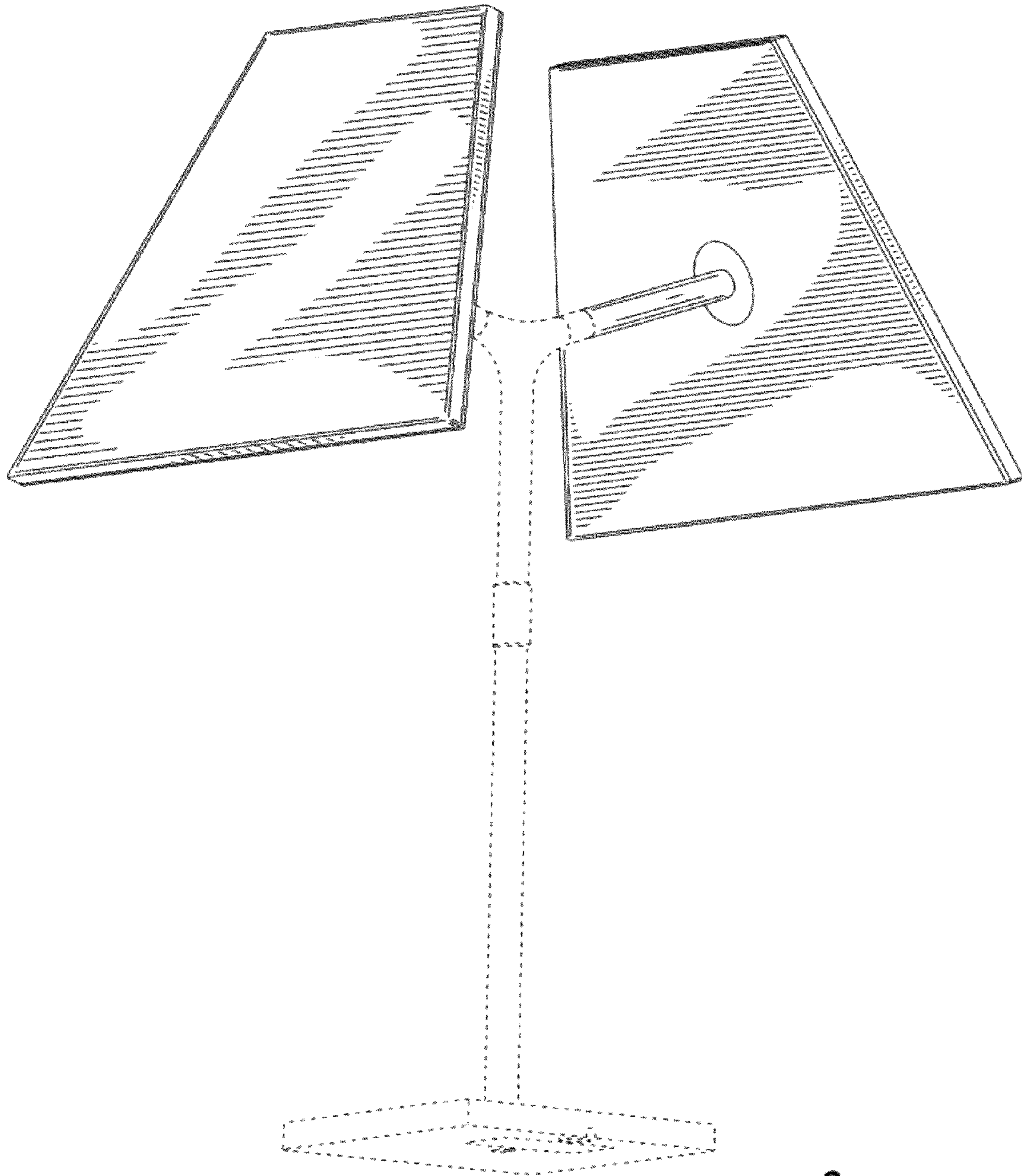
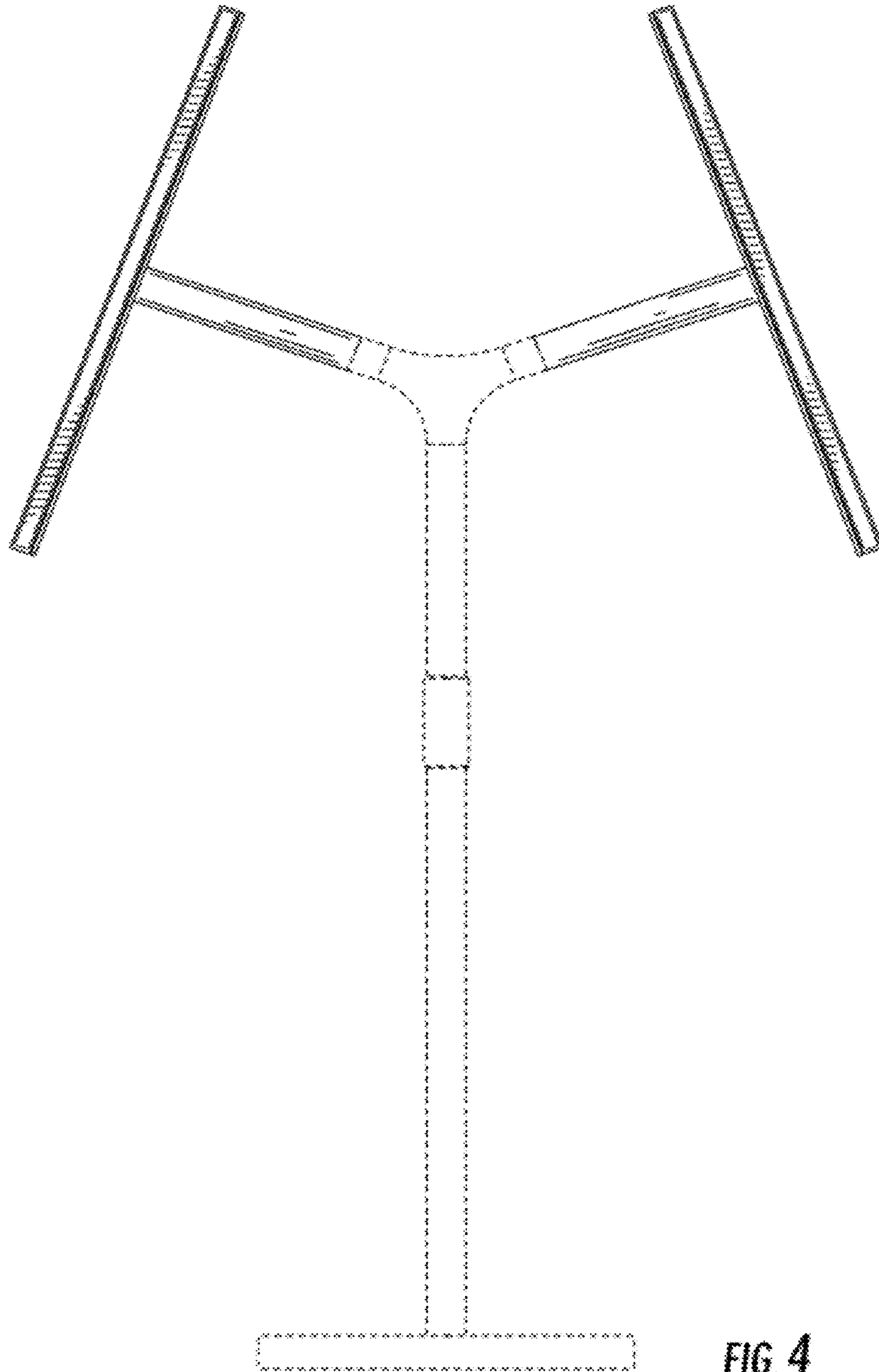


FIG. 3



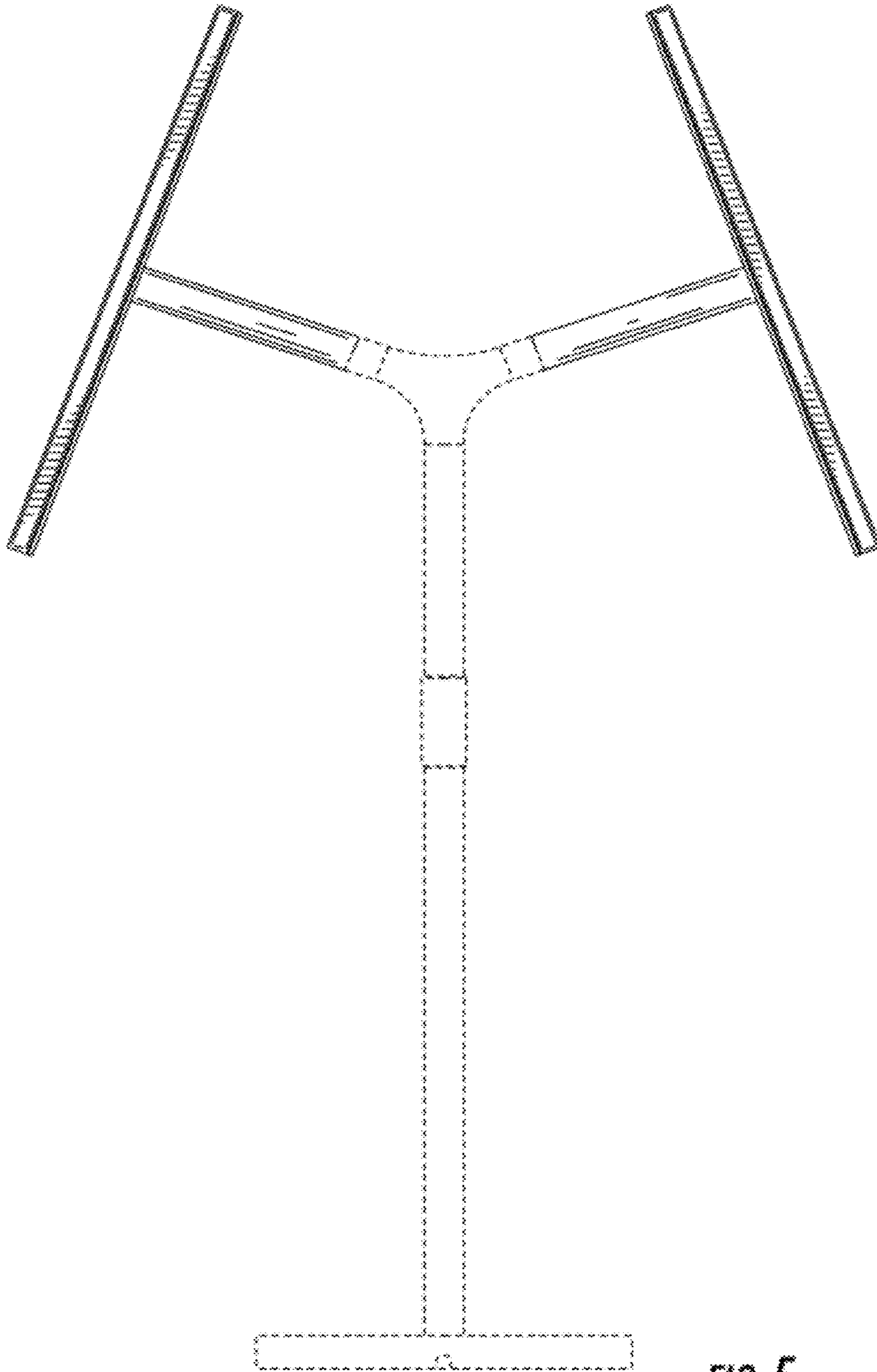


FIG. 5

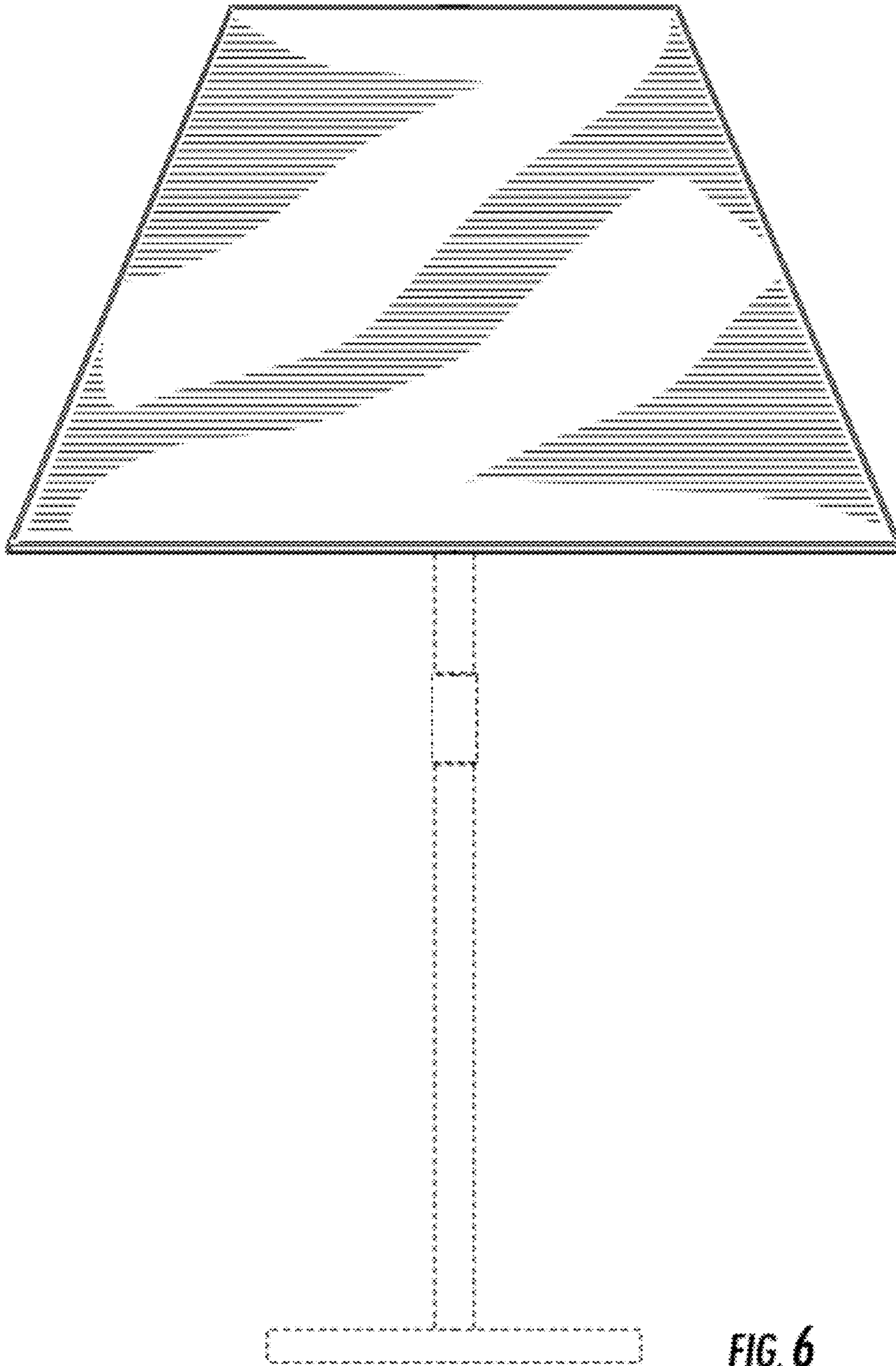


FIG. 6



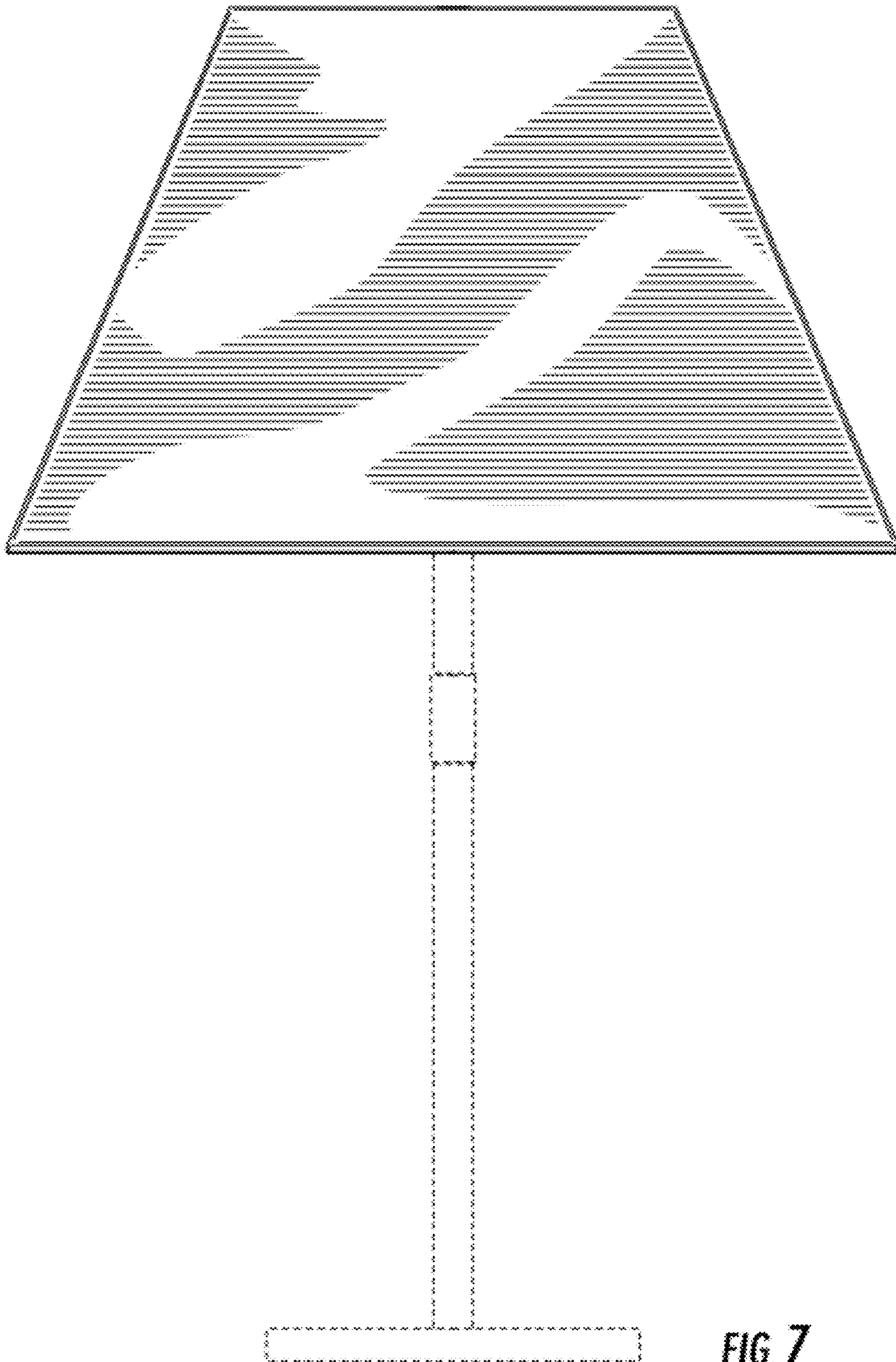


FIG. 7

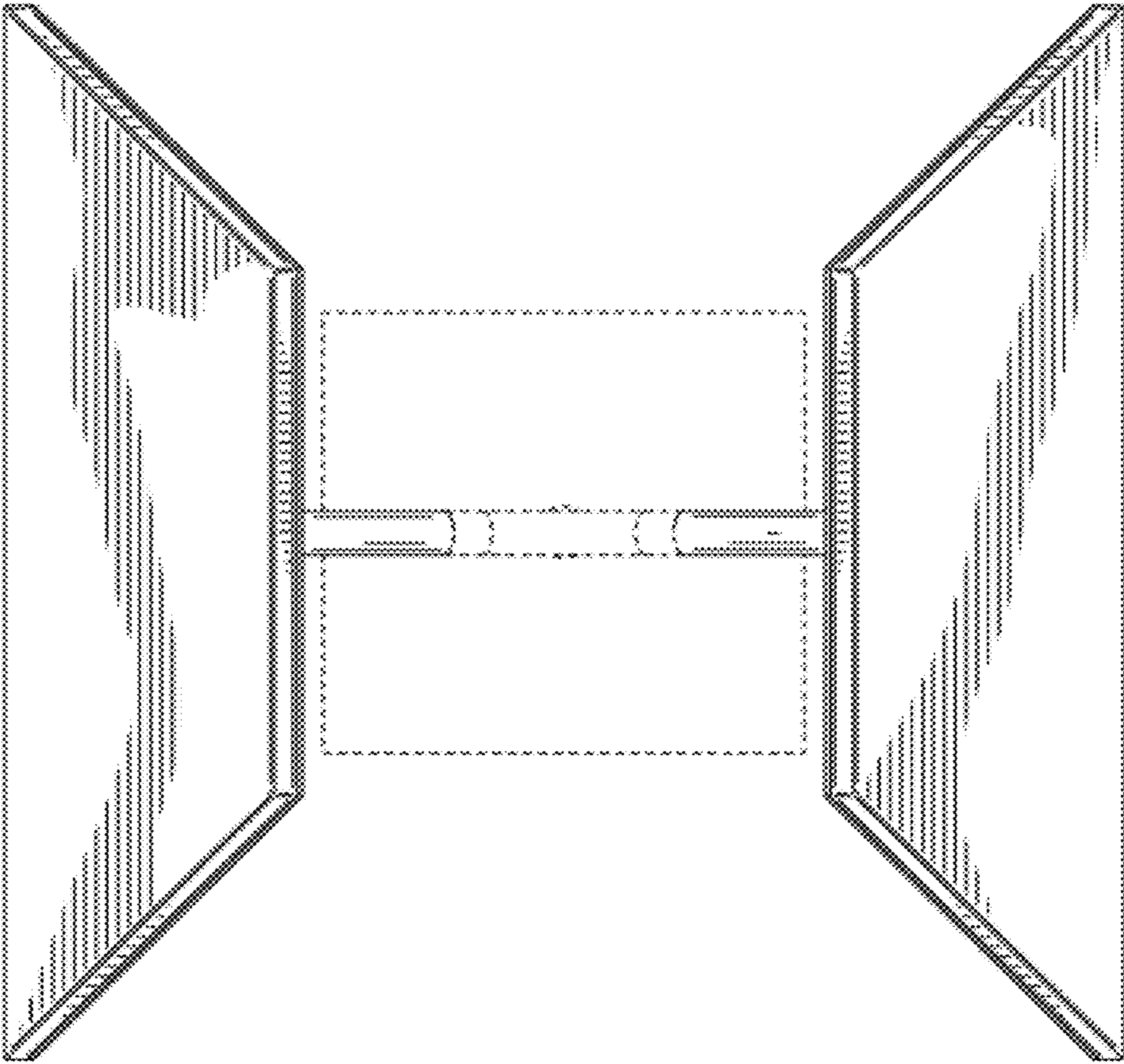


FIG. 8

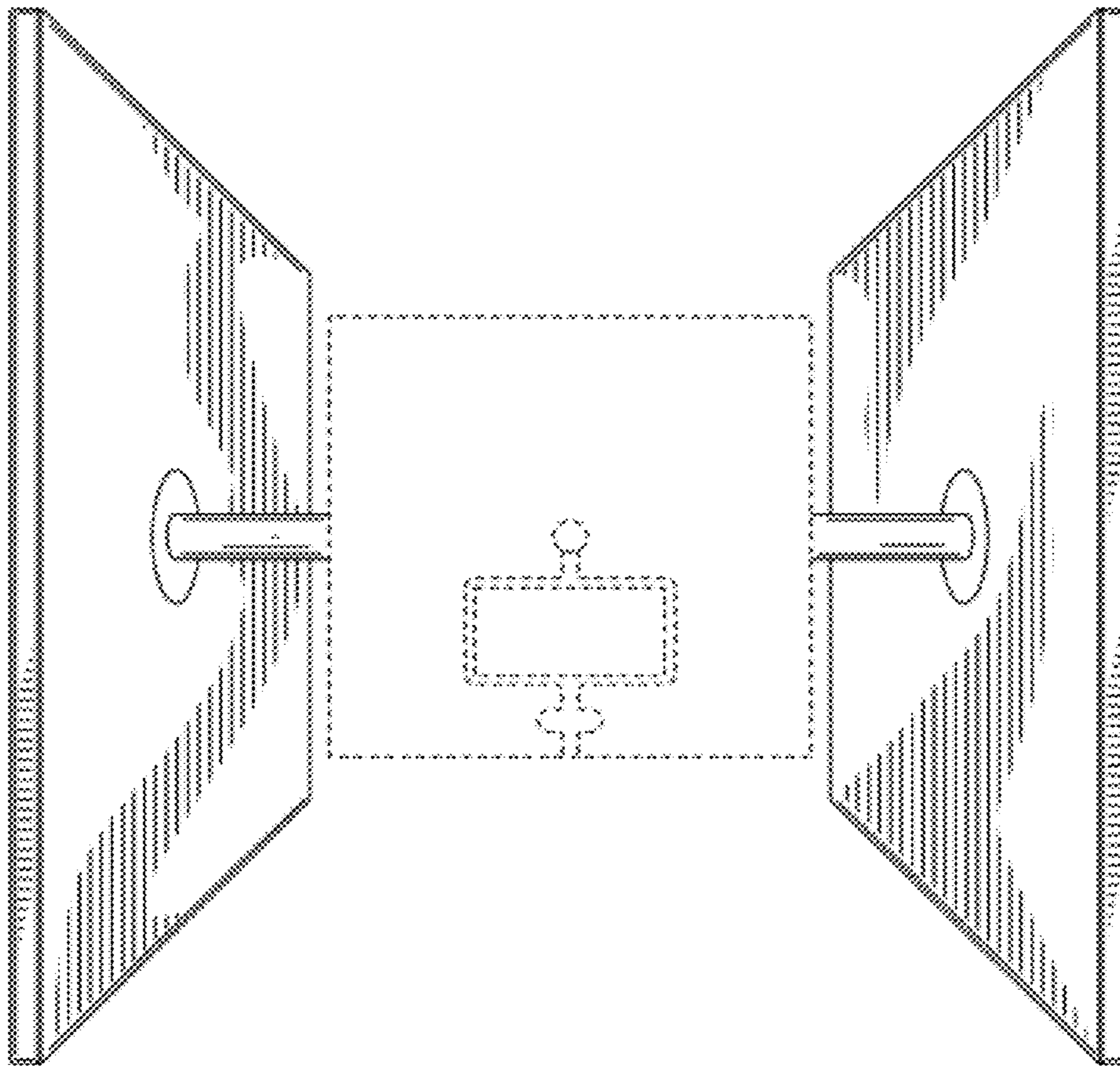


FIG. 9

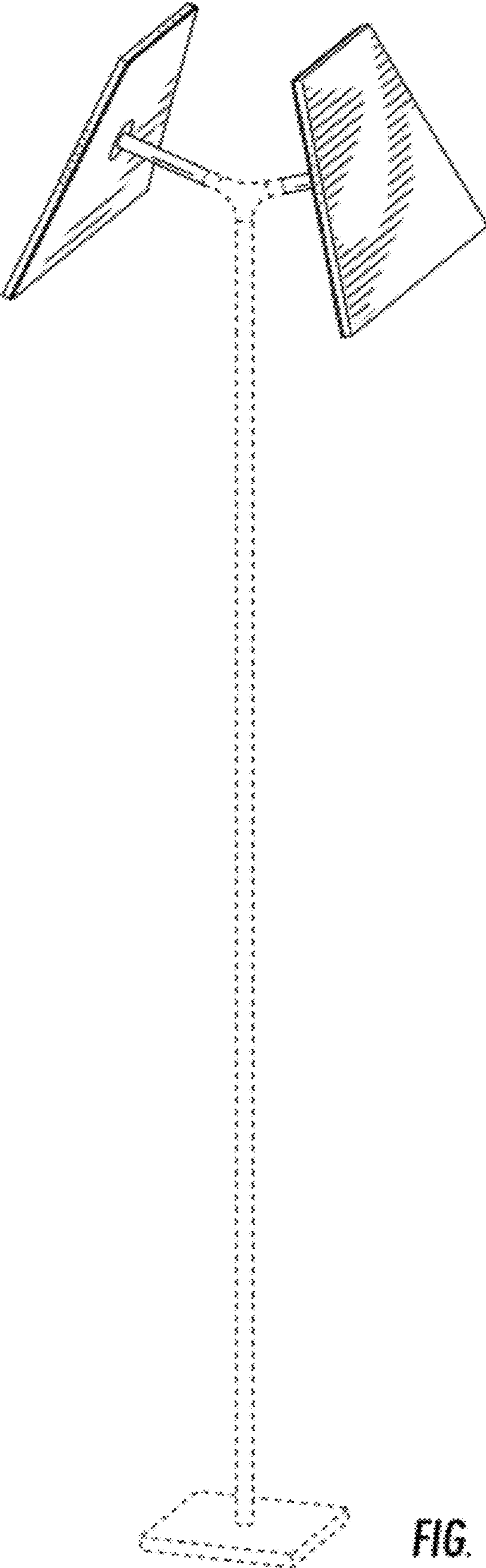


FIG. 10

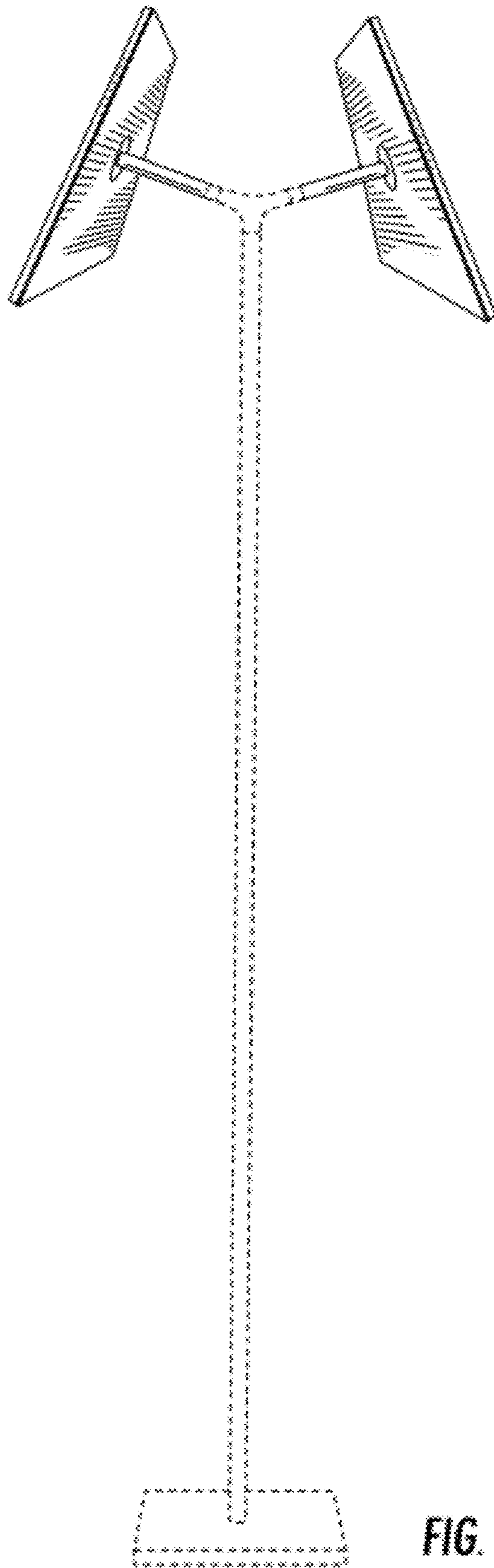


FIG. 11

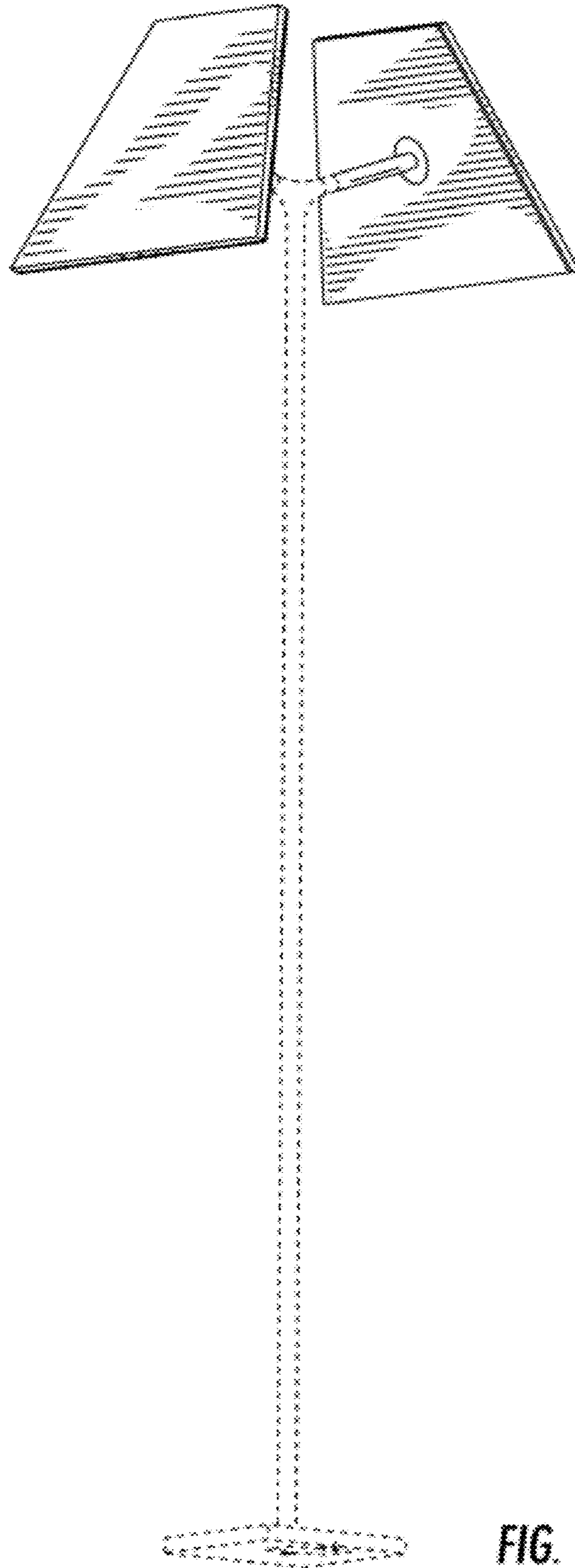


FIG. 12

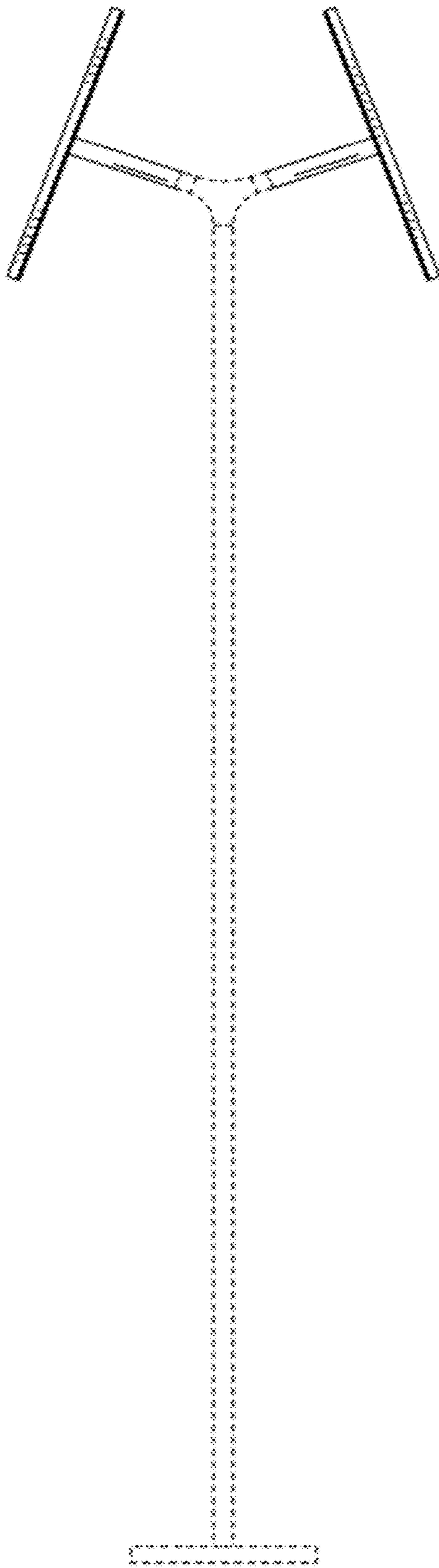


FIG. 13

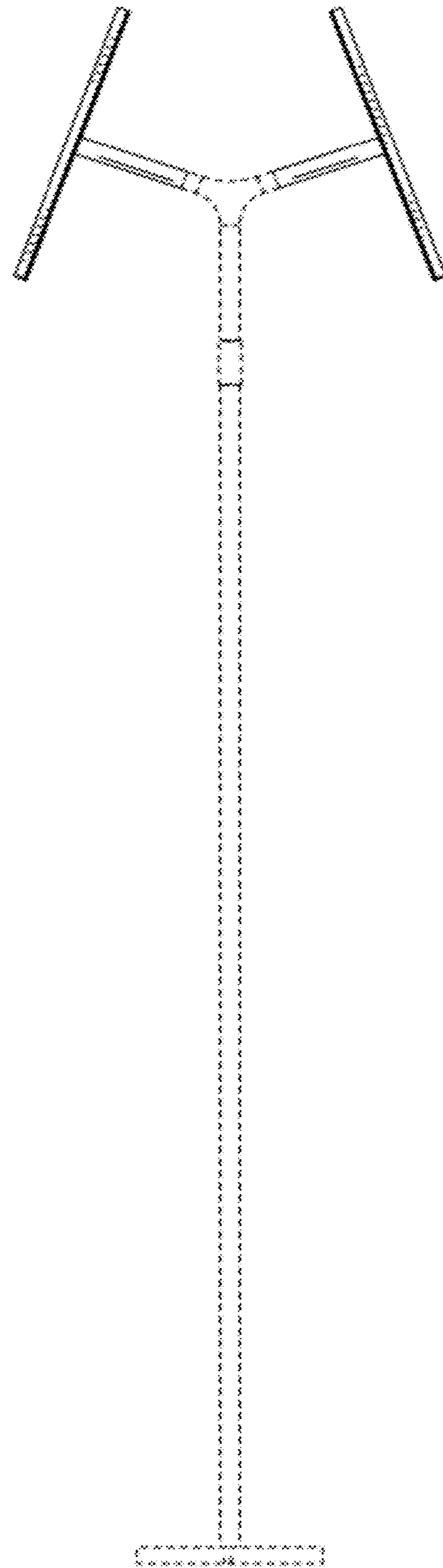


FIG. 14

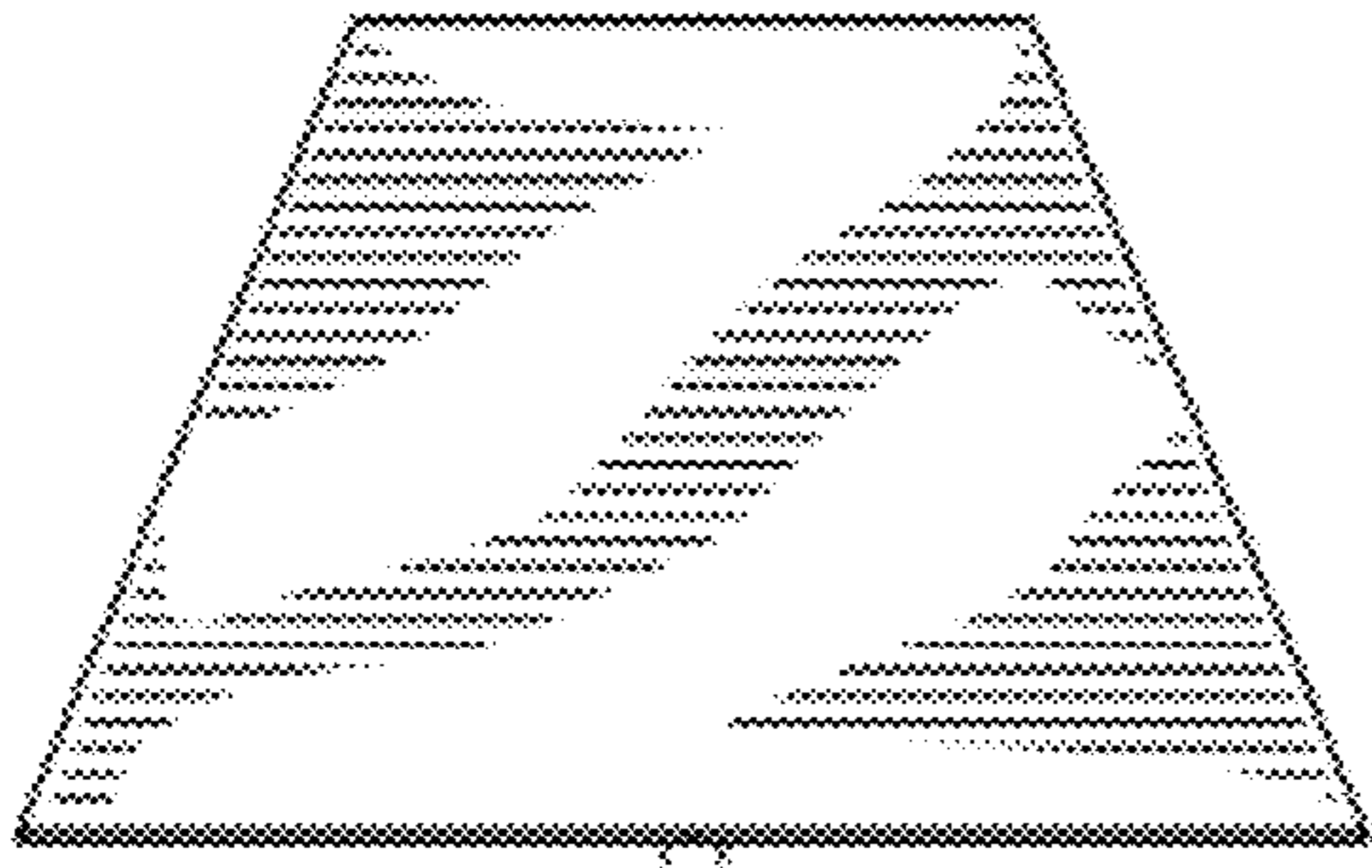


FIG. 15

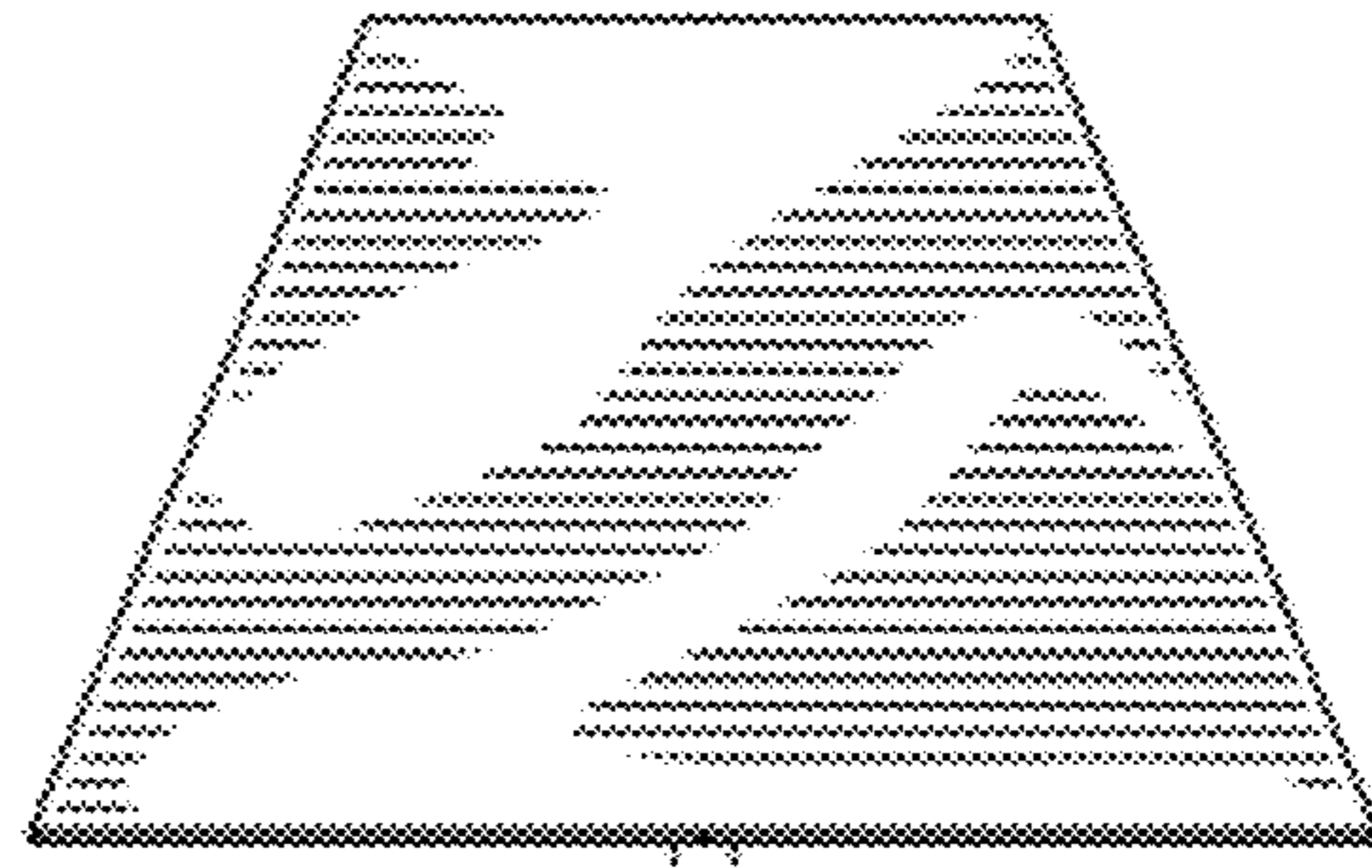


FIG. 16



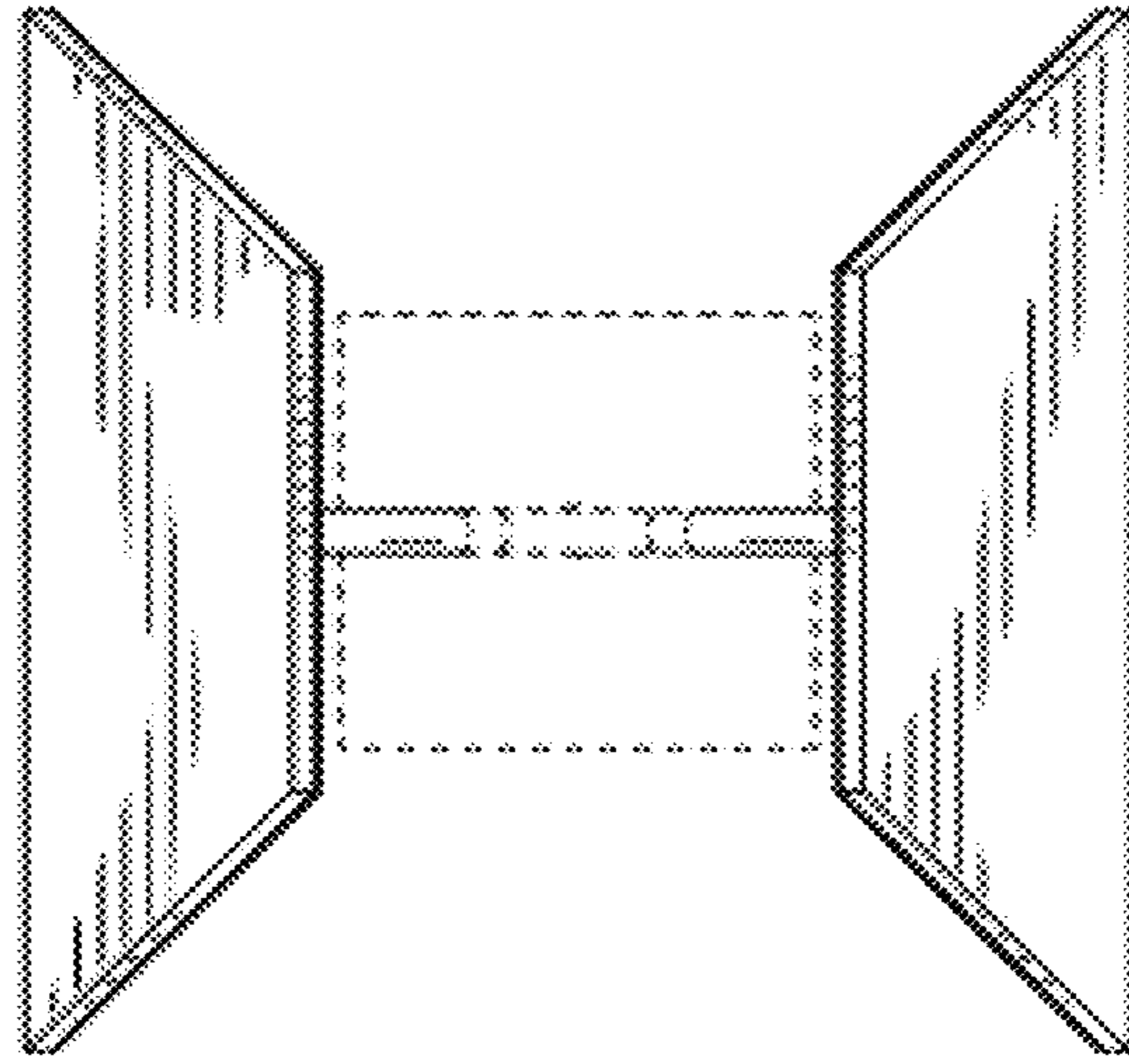


FIG. 17

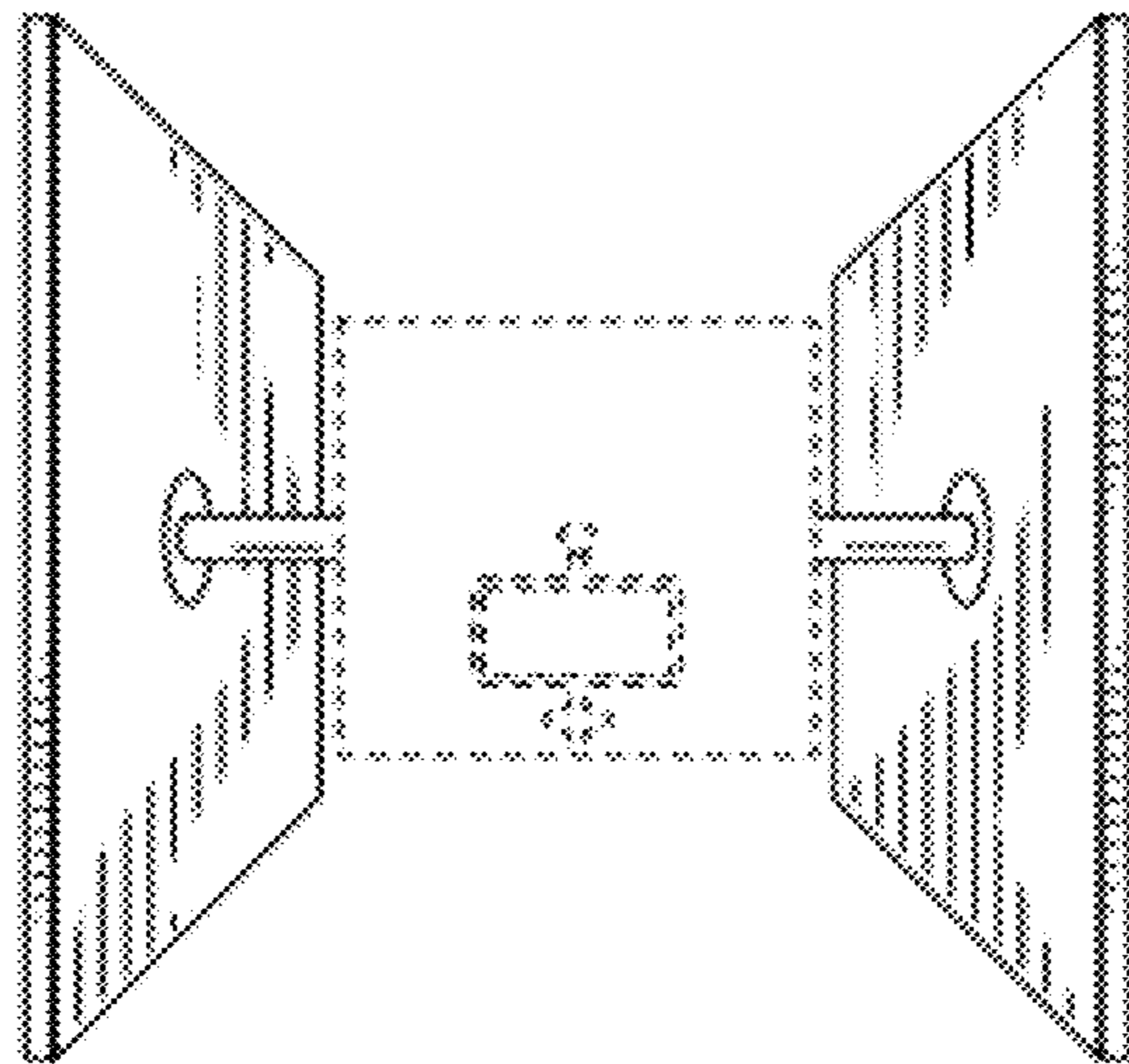


FIG. 18

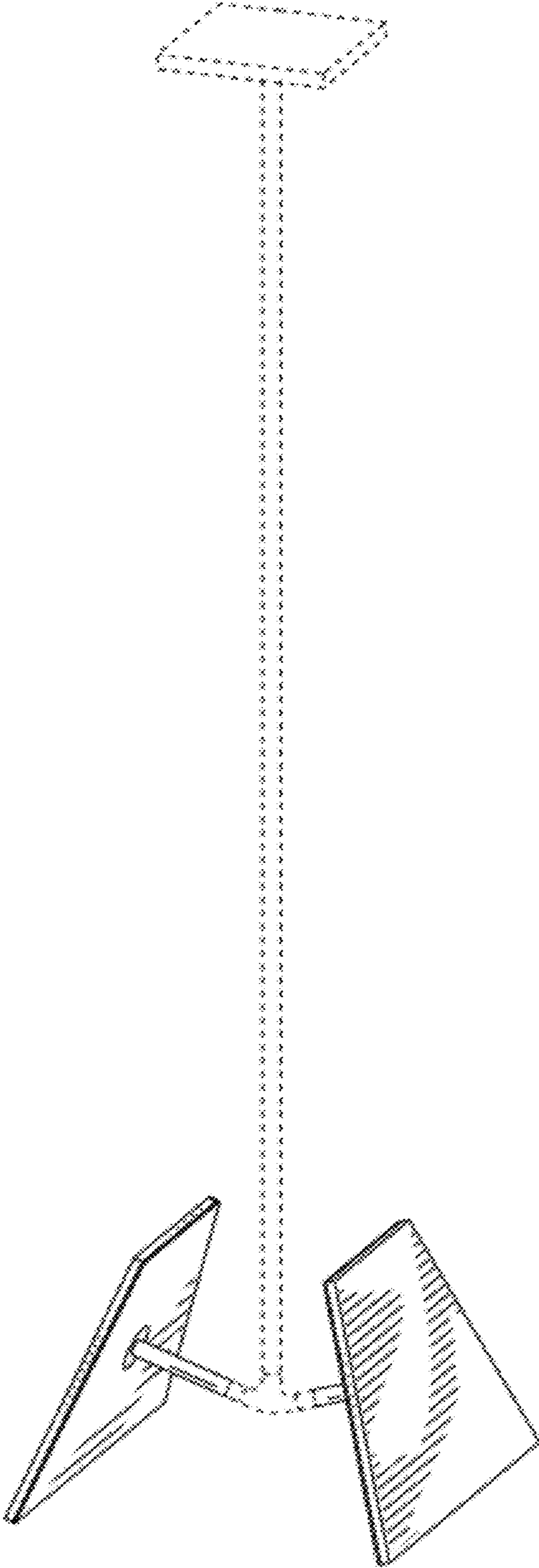


FIG. 19

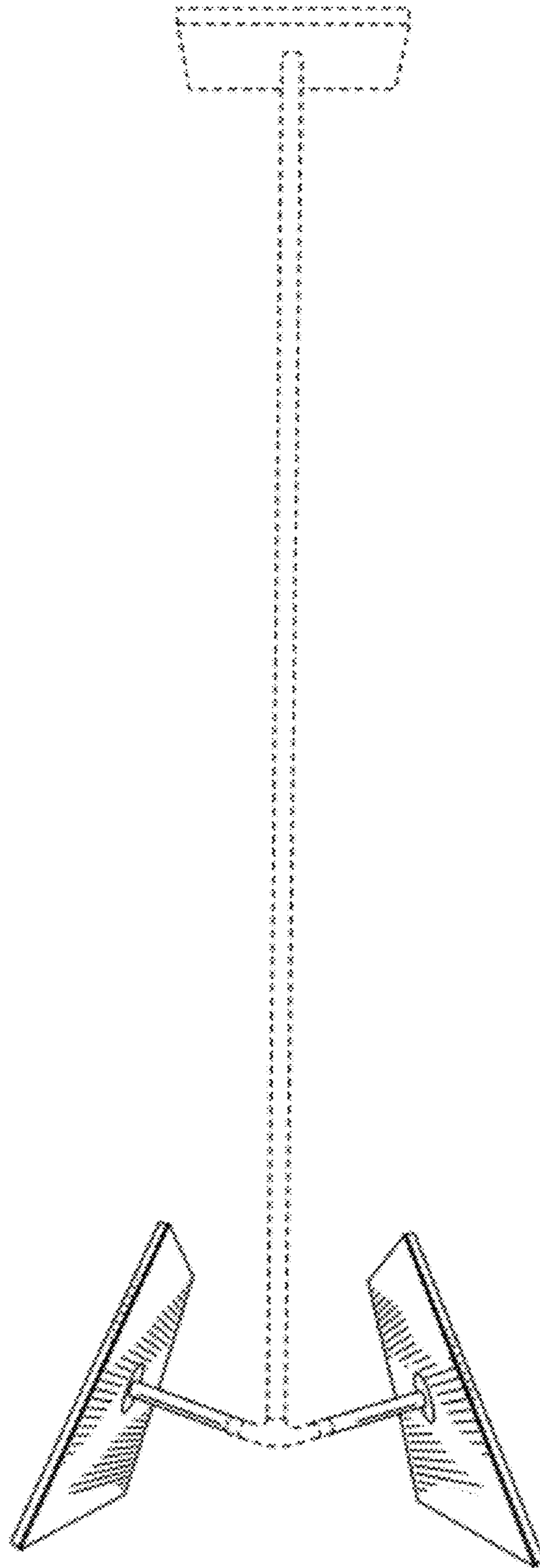


FIG. 20

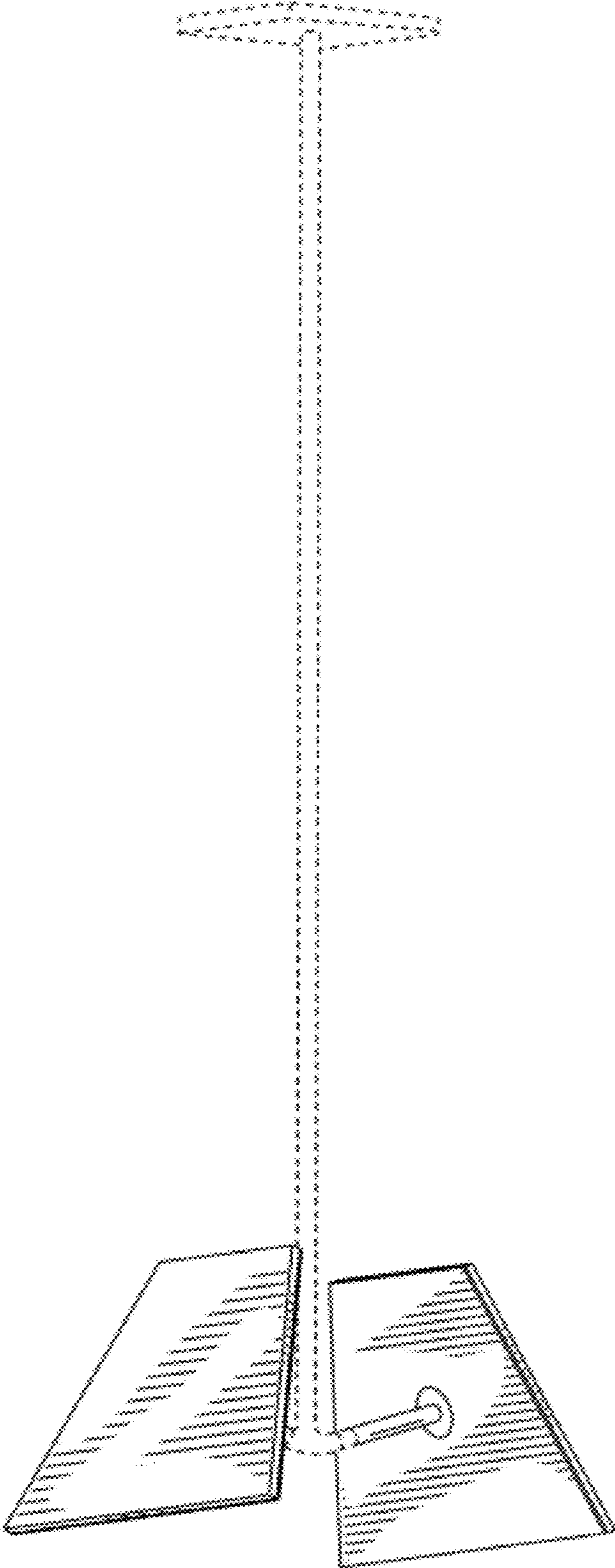


FIG. 21

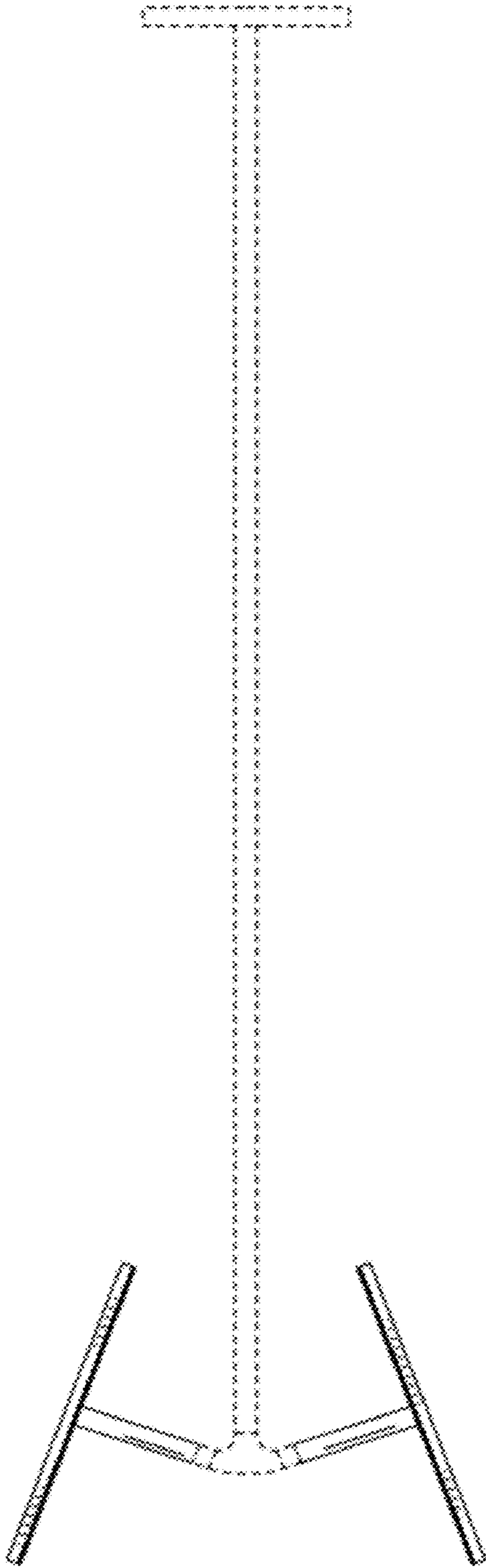


FIG. 22

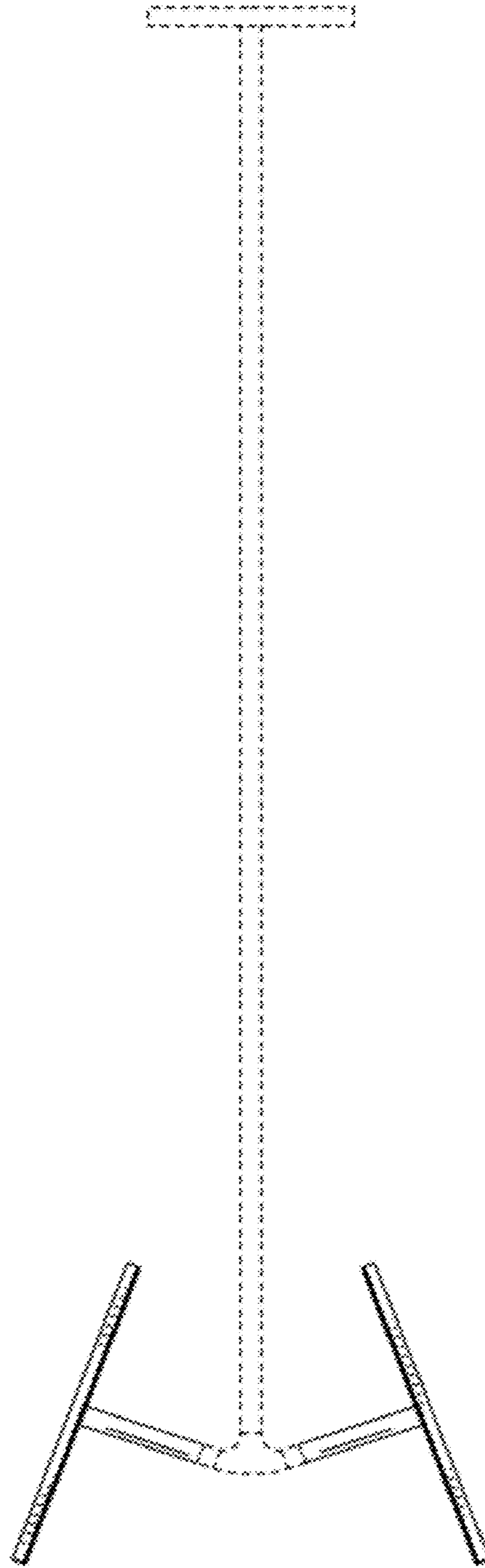


FIG. 23

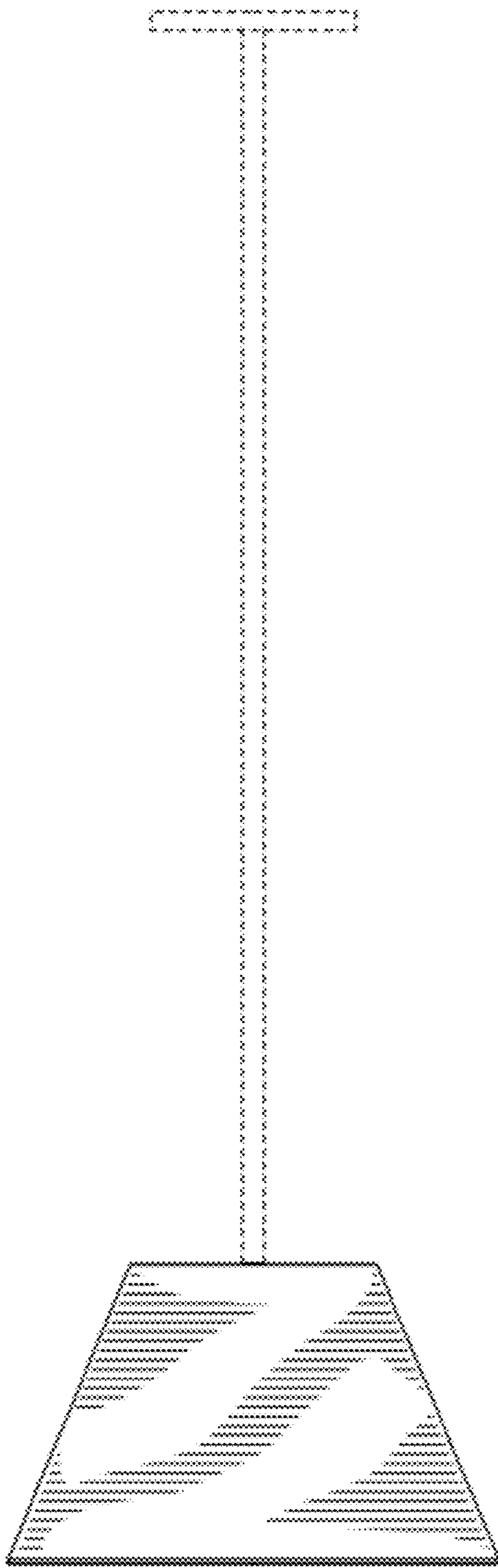


FIG. 24

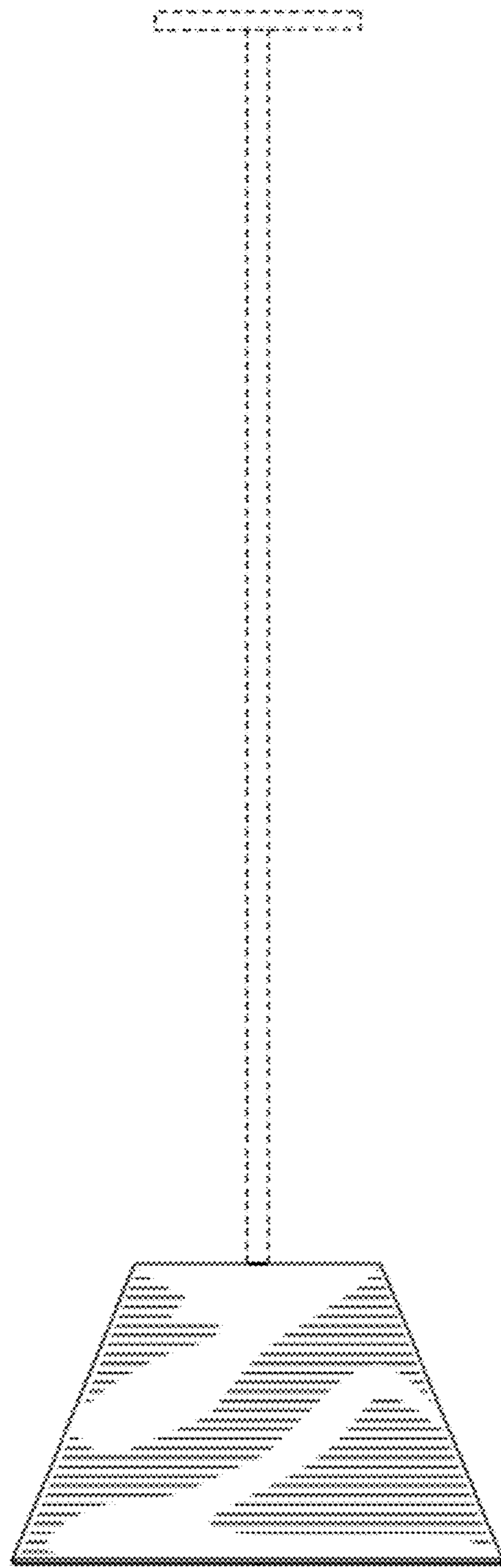


FIG. 25

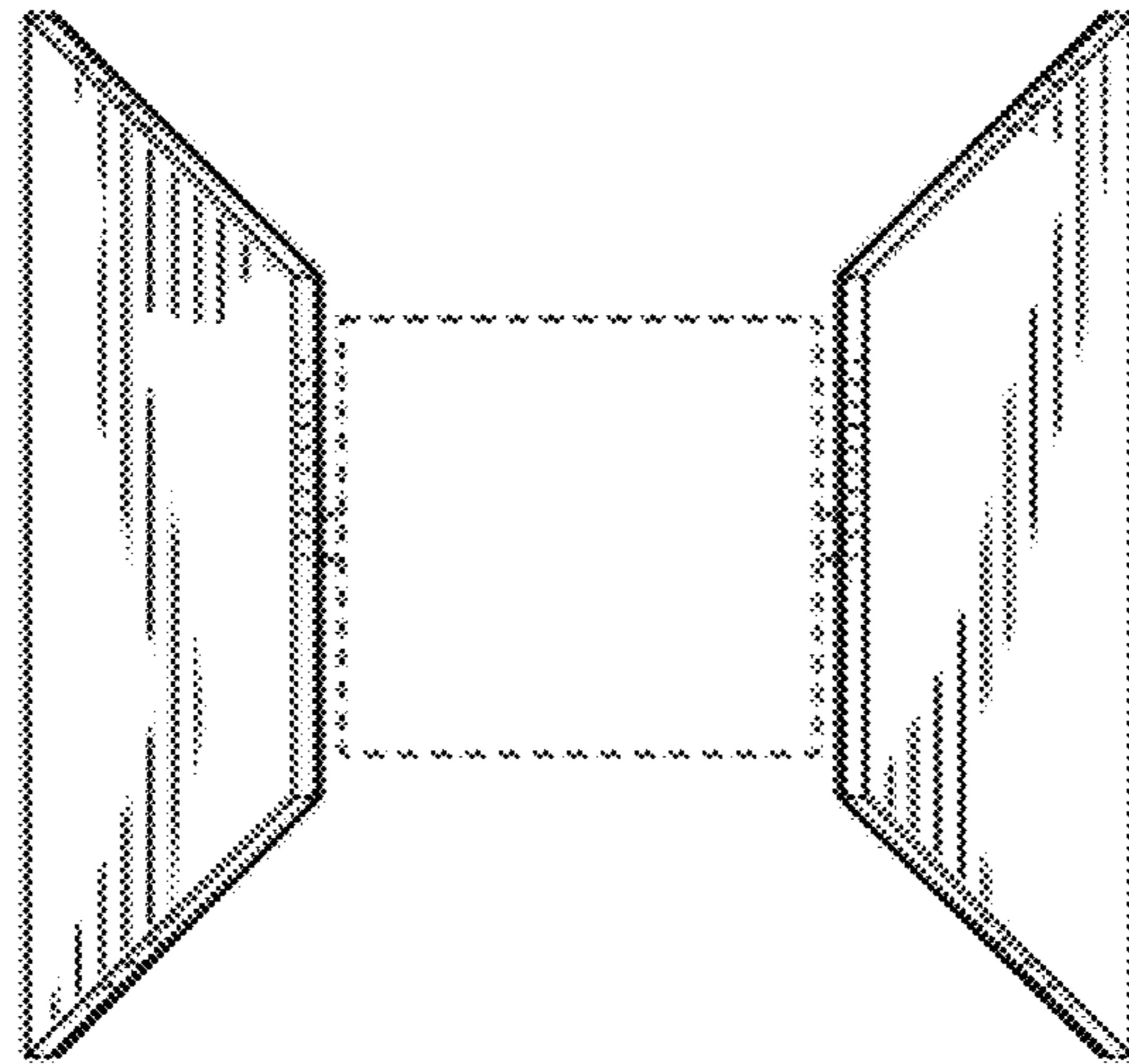


FIG. 26

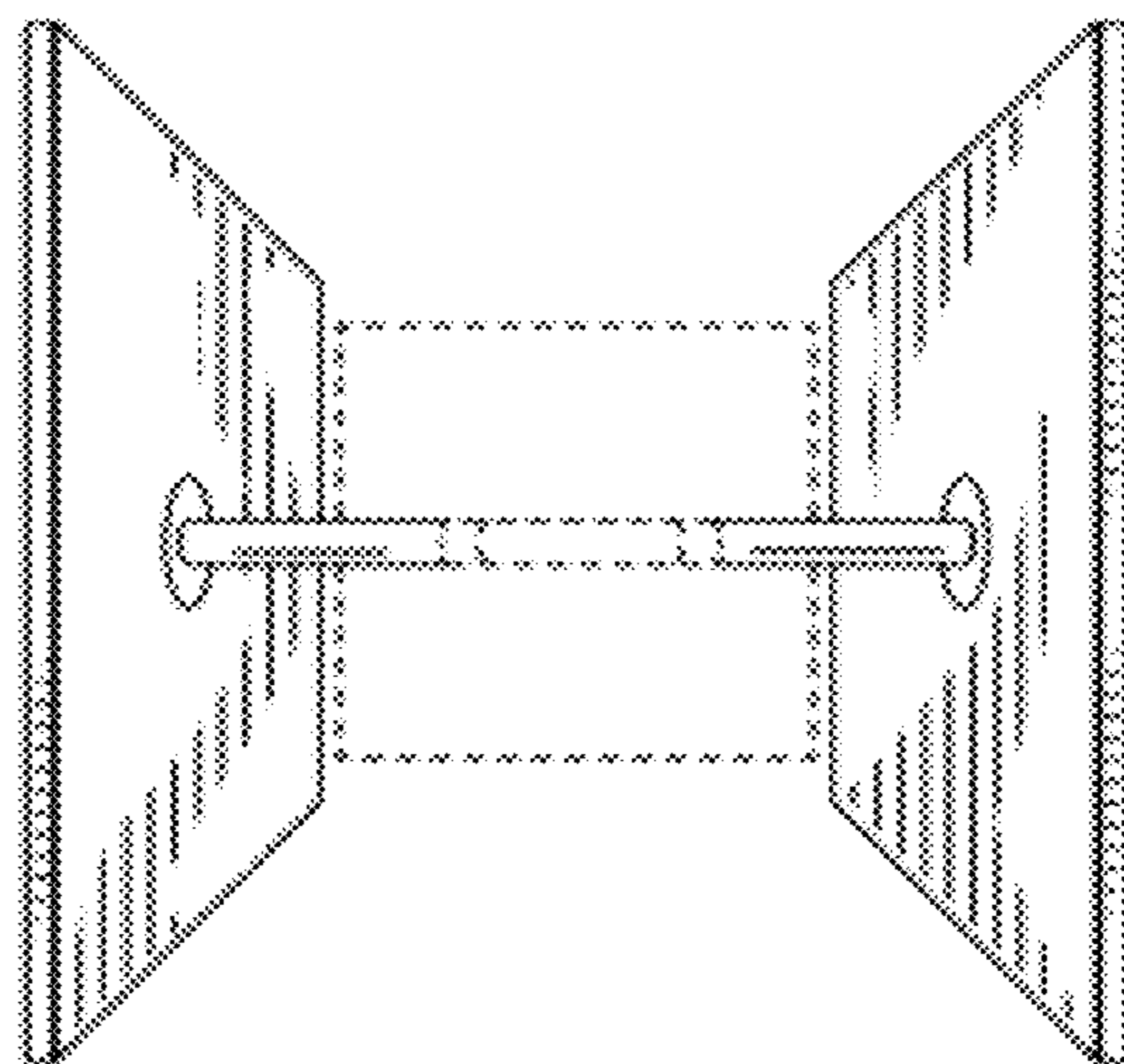


FIG. 27