

US00D675774S

(12) **United States Design Patent**
Stathis

(10) **Patent No.:** **US D675,774 S**
(45) **Date of Patent:** **** Feb. 5, 2013**

- (54) **FLAT PANEL LIGHT FIXTURE**
- (75) Inventor: **Peter Stathis**, San Francisco, CA (US)
- (73) Assignee: **Humanscale Corporation**, New York, NY (US)
- (**) Term: **14 Years**
- (21) Appl. No.: **29/420,868**
- (22) Filed: **May 14, 2012**
- (51) **LOC (9) Cl.** **26-99**
- (52) **U.S. Cl.** **D26/120**
- (58) **Field of Classification Search** D26/1,
D26/2, 118, 113, 138, 119, 120, 121, 122,
D26/76, 77, 75, 78, 85, 86, 89, 90, 62, 64,
D26/65, 66, 63, 73, 72, 74, 68, 71, 28, 123,
D26/124, 127, 128, 129, 134, 135, 132, 139,
D26/154, 155, 152, 149, 148, 145, 143, 142,
D26/140, 141, 153, 144, 91, 92, 29, 24, 25,
D26/26, 8, 114, 37, 87; 362/202, 347, 349,
362/362, 419, 96, 192, 145, 294, 326, 267,
362/373, 249.01–249.12; D13/102, 179,
D13/180

See application file for complete search history.

(56) **References Cited**

U.S. PATENT DOCUMENTS

- D80,480 S * 2/1930 Edelman D26/105
- 1,843,781 A * 2/1932 Pearson 362/290
- D204,793 S * 5/1966 Rodriguez D26/63
- D210,793 S 4/1968 Rodstein
- D226,535 S * 3/1973 Anderson, Jr. D26/67
- D265,001 S * 6/1982 Graham D26/104
- D303,849 S * 10/1989 Nugent D26/85
- 5,057,980 A * 10/1991 Russell 362/147
- D362,082 S * 9/1995 McDowell D26/152
- D405,208 S * 2/1999 Walz D26/86
- D415,305 S * 10/1999 Putman D26/87
- D417,748 S * 12/1999 Miranda D26/135
- D455,223 S * 4/2002 Crosby D26/85
- D456,932 S * 5/2002 Crosby D26/85
- D468,854 S * 1/2003 Chen D26/93
- D502,282 S 2/2005 Waldmann
- D512,175 S * 11/2005 Santachiara D26/108

- D529,222 S 9/2006 Waldmann
- D537,553 S * 2/2007 Kotovsky et al. D26/75
- D542,965 S * 5/2007 Layne D26/128
- D556,362 S * 11/2007 Pfund et al. D26/94
- D564,695 S * 3/2008 Krause D26/86
- D565,778 S * 4/2008 Pedersen D26/84
- D617,928 S 6/2010 Fredricks
- D623,339 S * 9/2010 Schlabach D26/85
- D623,795 S * 9/2010 Ngai et al. D26/88
- D626,276 S * 10/2010 Sabernig D26/85
- D629,556 S * 12/2010 Alter et al. D26/118
- D635,709 S * 4/2011 Federico et al. D26/84
- D641,915 S 7/2011 Waldmann
- D643,144 S * 8/2011 Waldmann D26/93
- D645,197 S 9/2011 Waldmann
- D645,198 S 9/2011 Waldmann
- D648,060 S 11/2011 Yamamoto et al.
- D650,937 S 12/2011 Horsley
- D658,804 S 5/2012 Starck

OTHER PUBLICATIONS

- US Design Application “Lamp”; U.S. Appl. No. 29/393,630, filed Jun. 7, 2011.
- US Design Application “Flat Panel Light Fixture”; U.S. Appl. No. 29/420,870, filed May 14, 2012.
- US Design Application “Lamp Head ”; U.S. Appl. No. 29/393,628, filed Jun. 7, 2011.
- Skitsch 2D LED Table ND Floor Lamps (see Non Patent Literature attachment); <http://www.skitsch.it/products/lamps#2D>; Dec. 31, 2009; www.skitsch.com.

* cited by examiner

Primary Examiner — Kevin Rudzinski

(74) *Attorney, Agent, or Firm* — Jones Walker Waechter Poitevent Carrere & Denegre, LLP

(57) **CLAIM**

I claim the ornamental design for a flat panel light fixture, as shown and described.

DESCRIPTION

FIG. 1 is a right perspective view of a flat panel light fixture according to the present invention;
FIG. 2 is a front perspective view of the flat panel light fixture of FIG. 1;

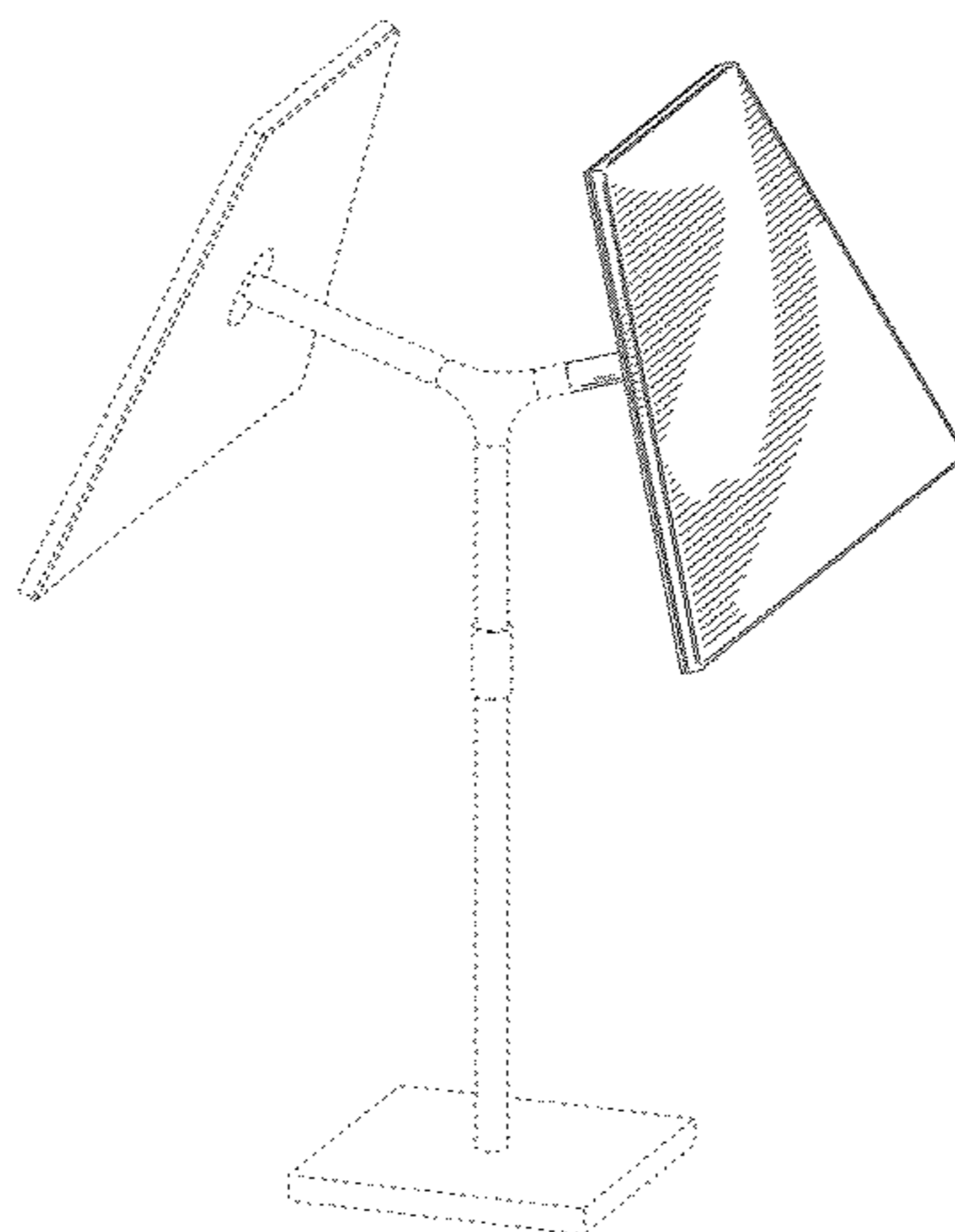


FIG. 3 is a right perspective view of the flat panel light fixture of FIG. 1;

FIG. 4 is a front view of the flat panel light fixture of FIG. 1;

FIG. 5 is a rear view of the flat panel light fixture of FIG. 1;

FIG. 6 is a right side view of the flat panel light fixture of FIG. 1;

FIG. 7 is a left side view of the flat panel light fixture of FIG. 1;

FIG. 8 is a top view of the flat panel light fixture of FIG. 1;

FIG. 9 is a bottom view of the flat panel light fixture of FIG. 1;

FIG. 10 is a perspective view of the flat panel light fixture according to a second embodiment of the present invention;

FIG. 11 is a front perspective view of the flat panel light fixture of FIG. 10;

FIG. 12 is a right perspective view of the flat panel light fixture of FIG. 10;

FIG. 13 is a front view of the flat panel light fixture of FIG. 10;

FIG. 14 is a rear view of the flat panel light fixture of FIG. 10;

FIG. 15 is a right side view of the flat panel light fixture of FIG. 10;

FIG. 16 is a left side view of the flat panel light fixture of FIG. 10;

FIG. 17 is a top view of the flat panel light fixture of FIG. 10;

FIG. 18 is a bottom view of the flat panel light fixture of FIG. 10;

FIG. 19 is a perspective view of the flat panel light fixture according to a third embodiment of the present invention;

FIG. 20 is a front perspective view of the flat panel light fixture of FIG. 19;

FIG. 21 is a right perspective view of the flat panel light fixture of FIG. 19;

FIG. 22 is a front view of the flat panel light fixture of FIG. 19;

FIG. 23 is a rear view of the flat panel light fixture of FIG. 19;

FIG. 24 is a right side view of the flat panel light fixture of FIG. 19;

FIG. 25 is a left side view of the flat panel light fixture of FIG. 19;

FIG. 26 is a top view of the flat panel light fixture of FIG. 19;

FIG. 27 is a bottom view of the flat panel light fixture of FIG. 19;

FIG. 28 is a perspective view of the flat panel light fixture according to a fourth embodiment of the present invention;

FIG. 29 is a front perspective view of the flat panel light fixture of FIG. 28;

FIG. 30 is a right perspective view of the flat panel light fixture of FIG. 28;

FIG. 31 is a front view of the flat panel light fixture of FIG. 28;

FIG. 32 is a rear view of the flat panel light fixture of FIG. 28;

FIG. 33 is a right side view of the flat panel light fixture of FIG. 28;

FIG. 34 is a left side view of the flat panel light fixture of FIG. 28;

FIG. 35 is a top view of the flat panel light fixture of FIG. 28;

and,

FIG. 36 is a bottom view of the flat panel light fixture of FIG. 28.

The broken lines shown in the drawings illustrate environmental structure and form no part of the claimed design.

1 Claim, 30 Drawing Sheets

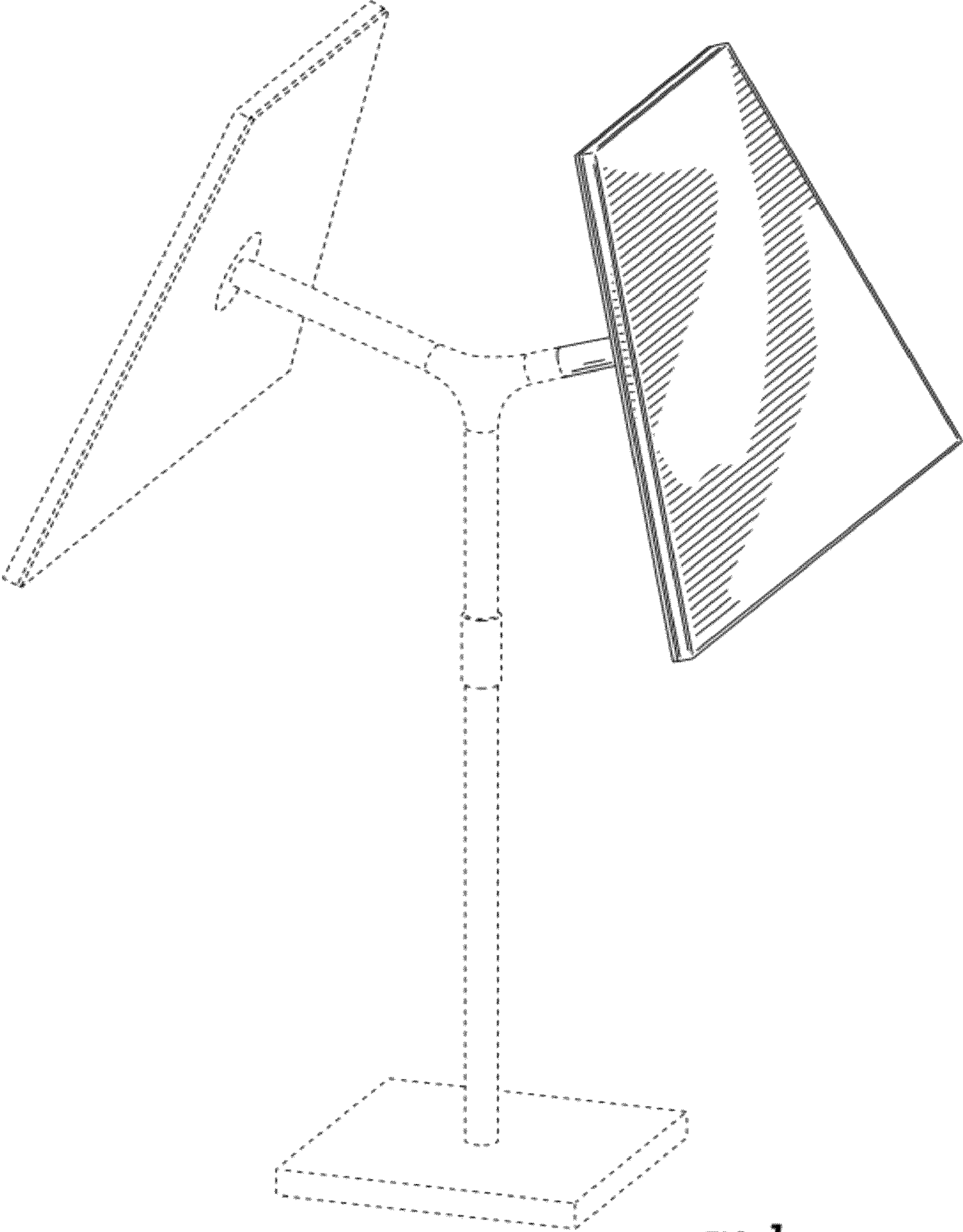


FIG. 1

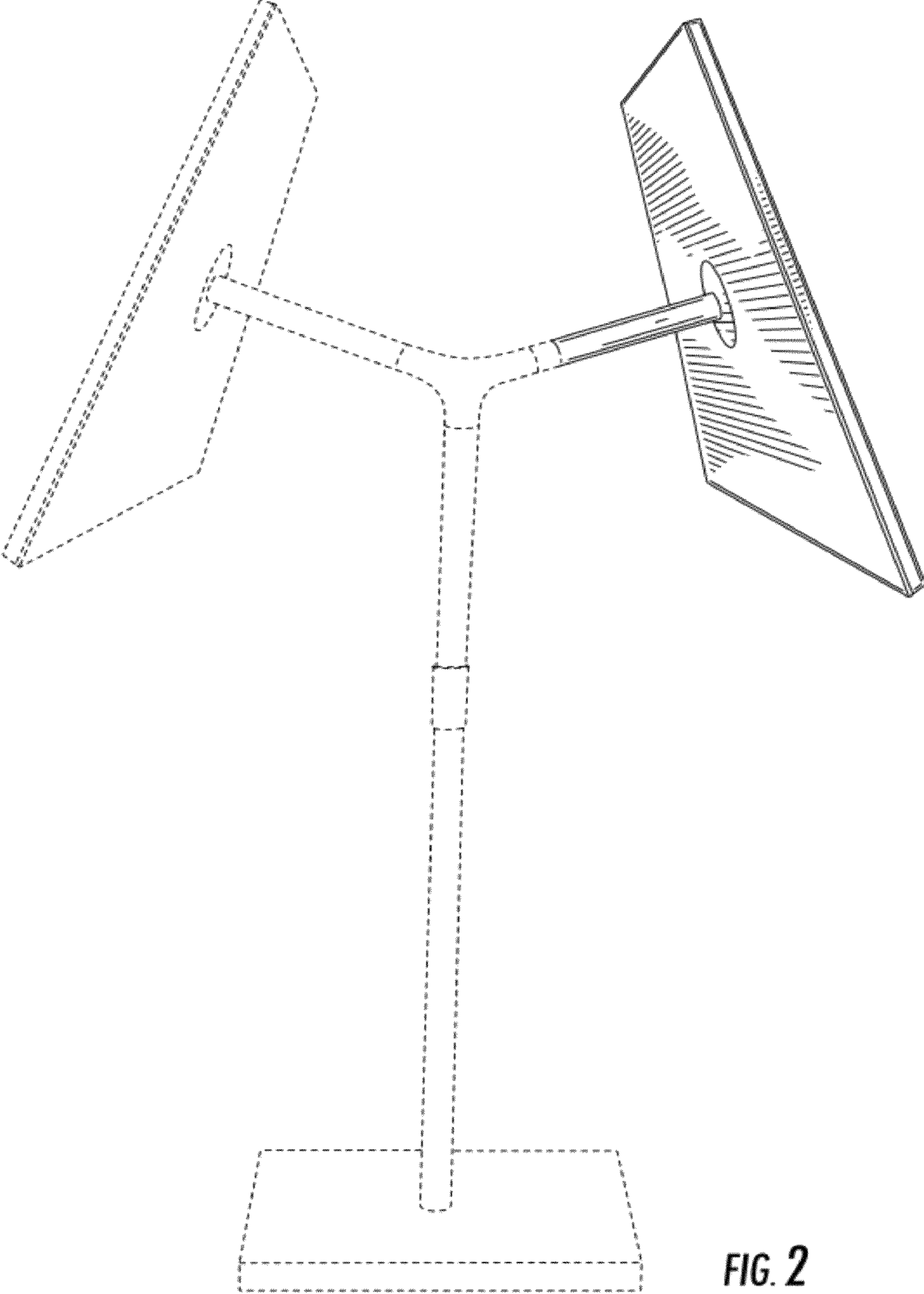


FIG. 2

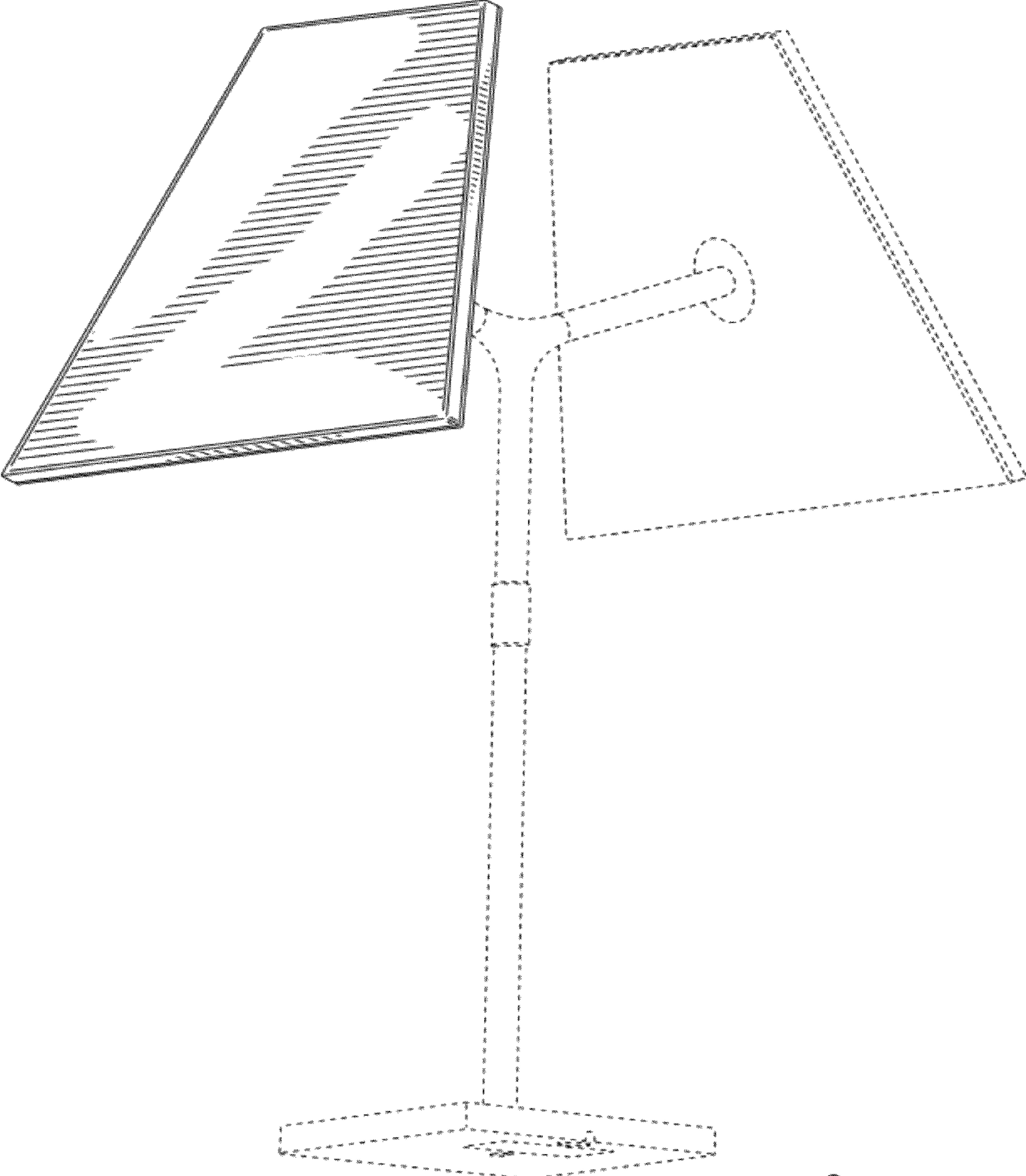


FIG. 3

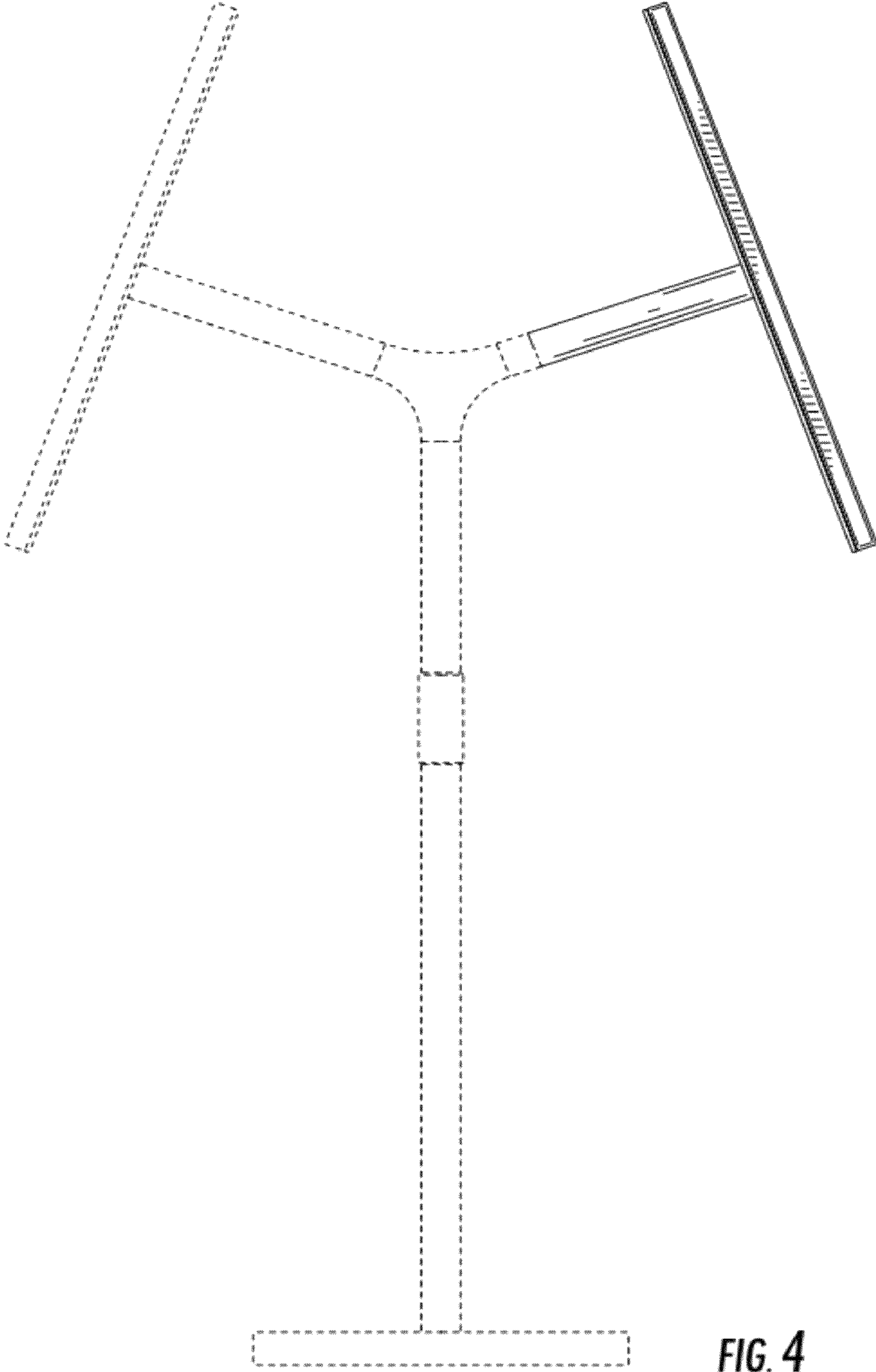


FIG. 4

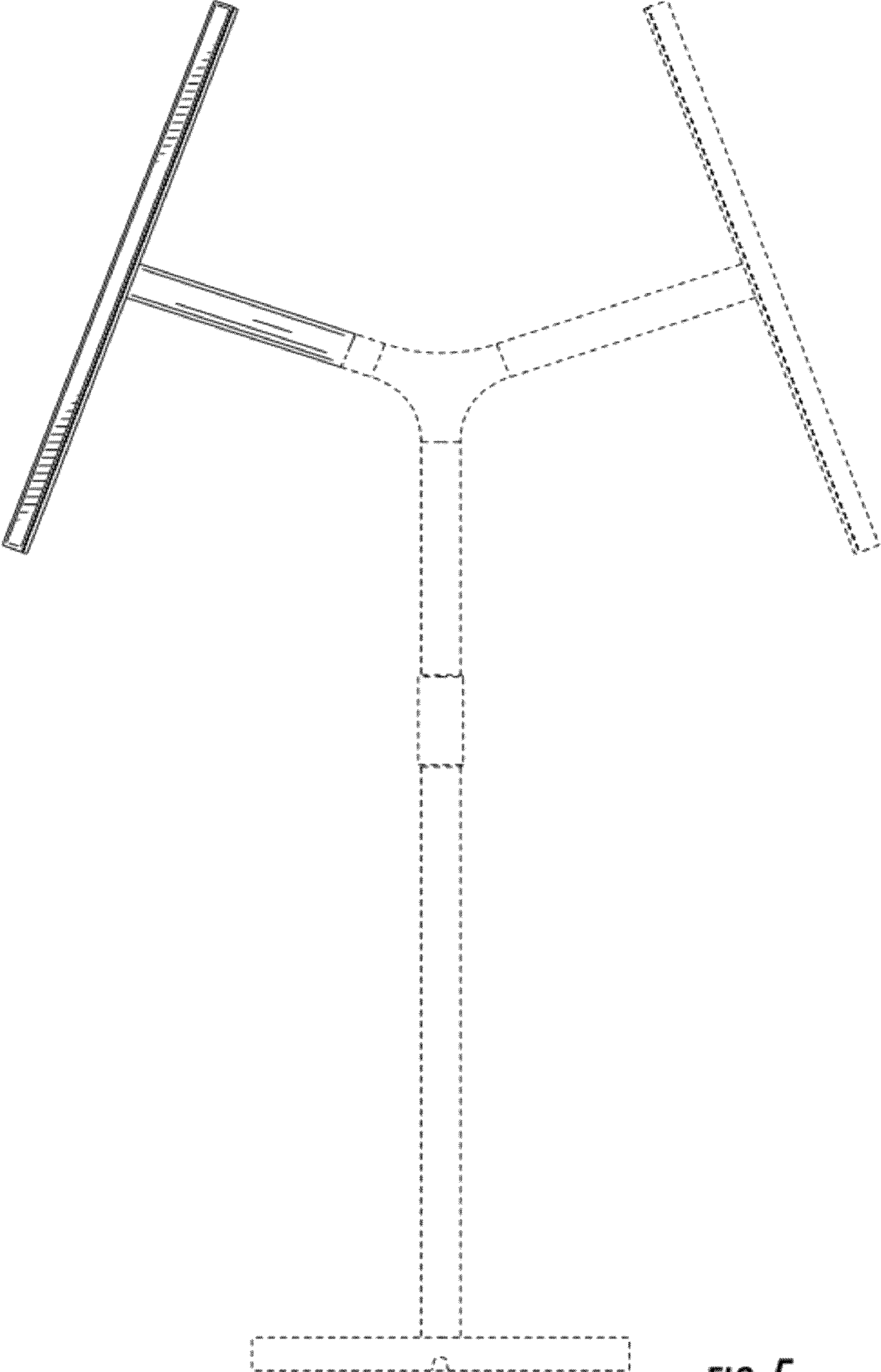


FIG. 5

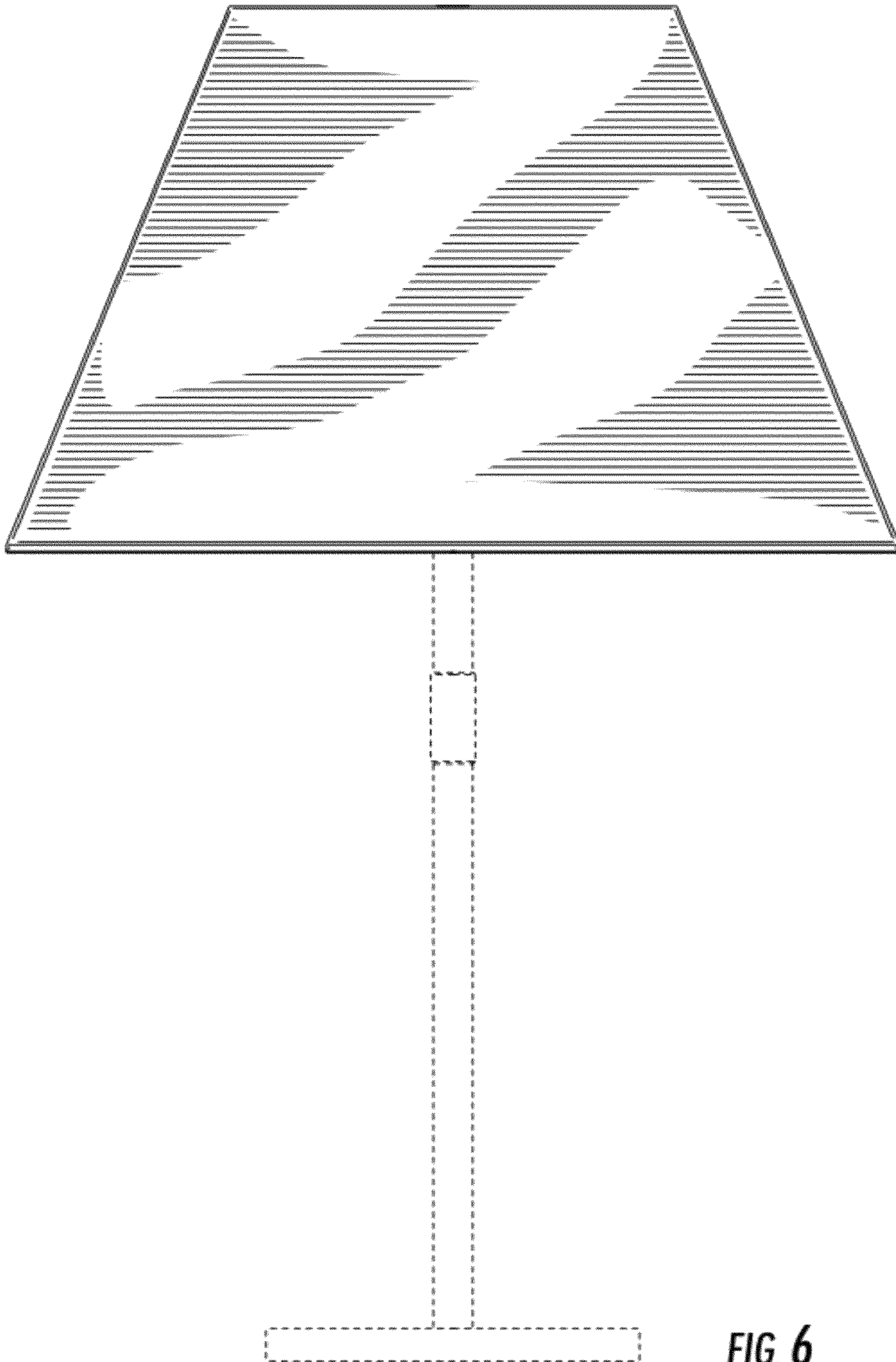


FIG. 6

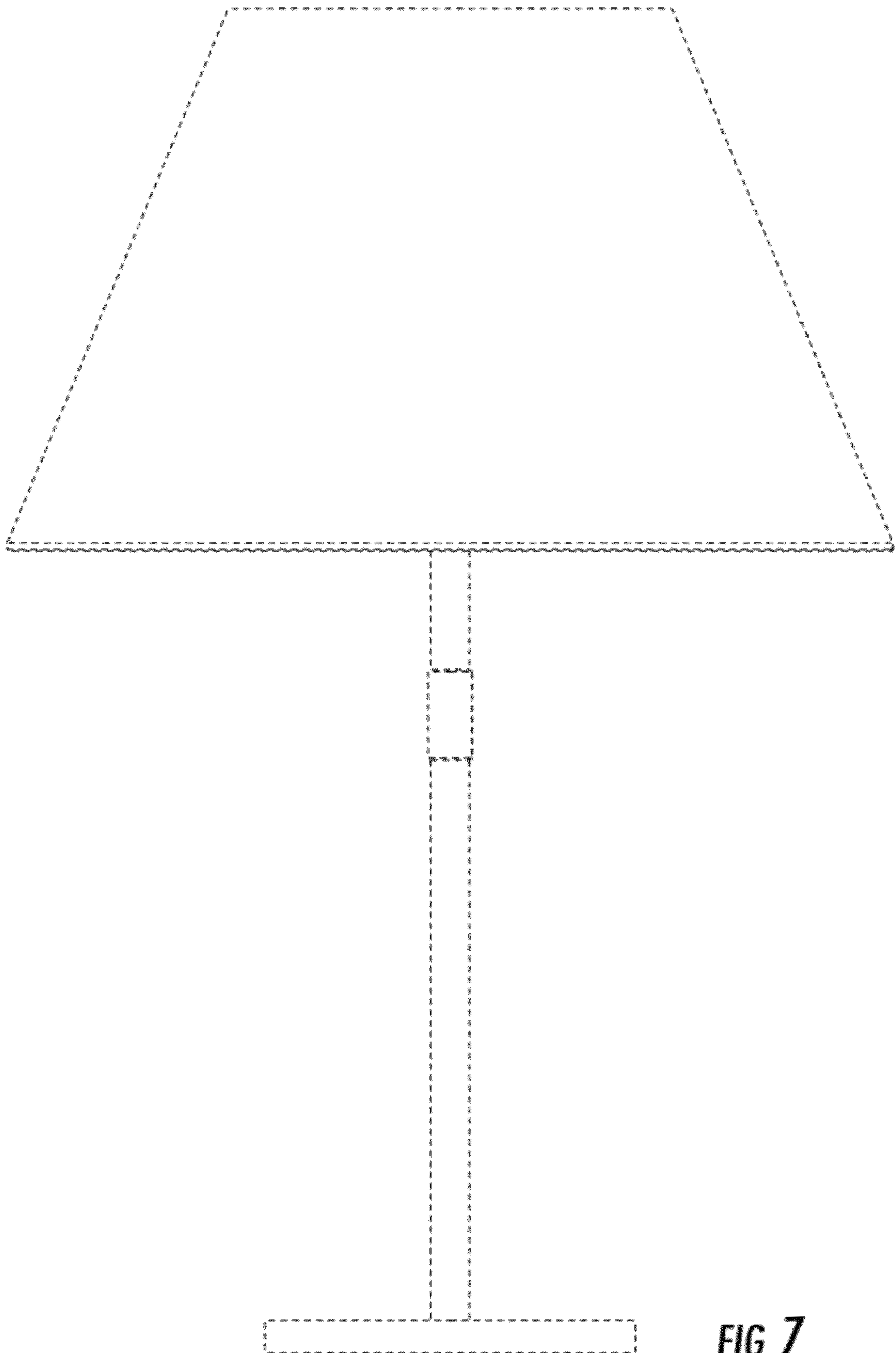


FIG. 7

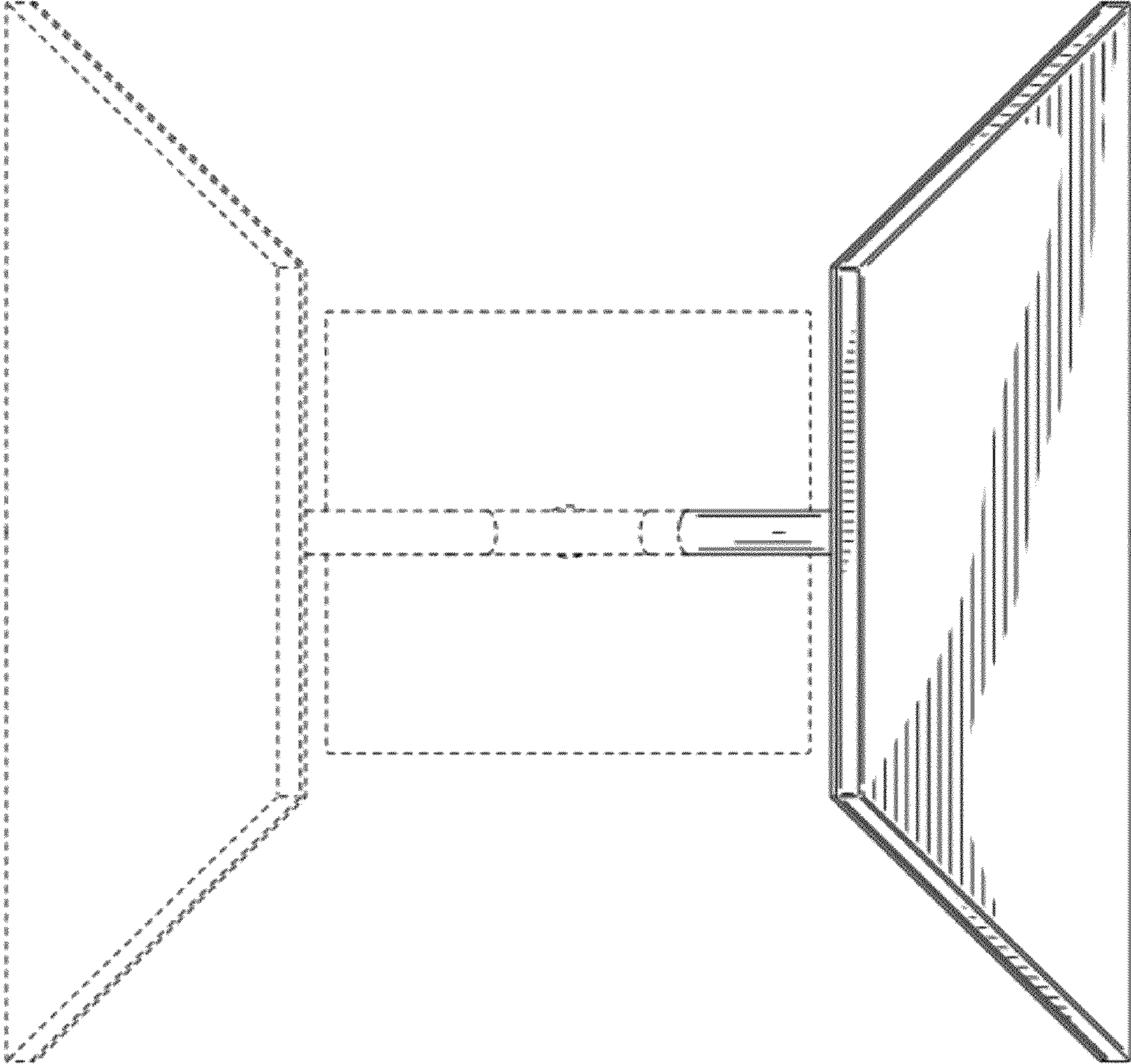


FIG. 8

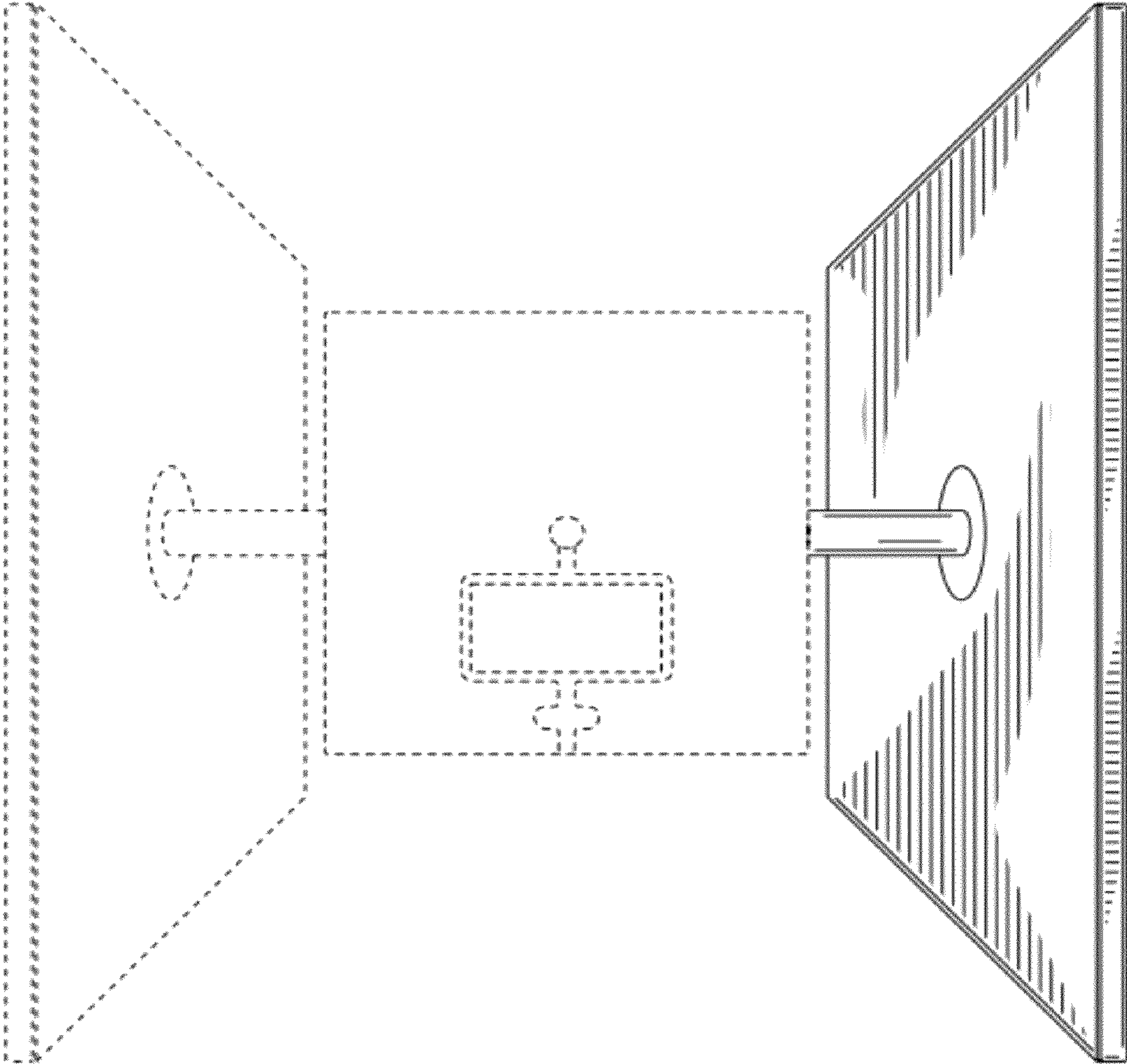


FIG. 9

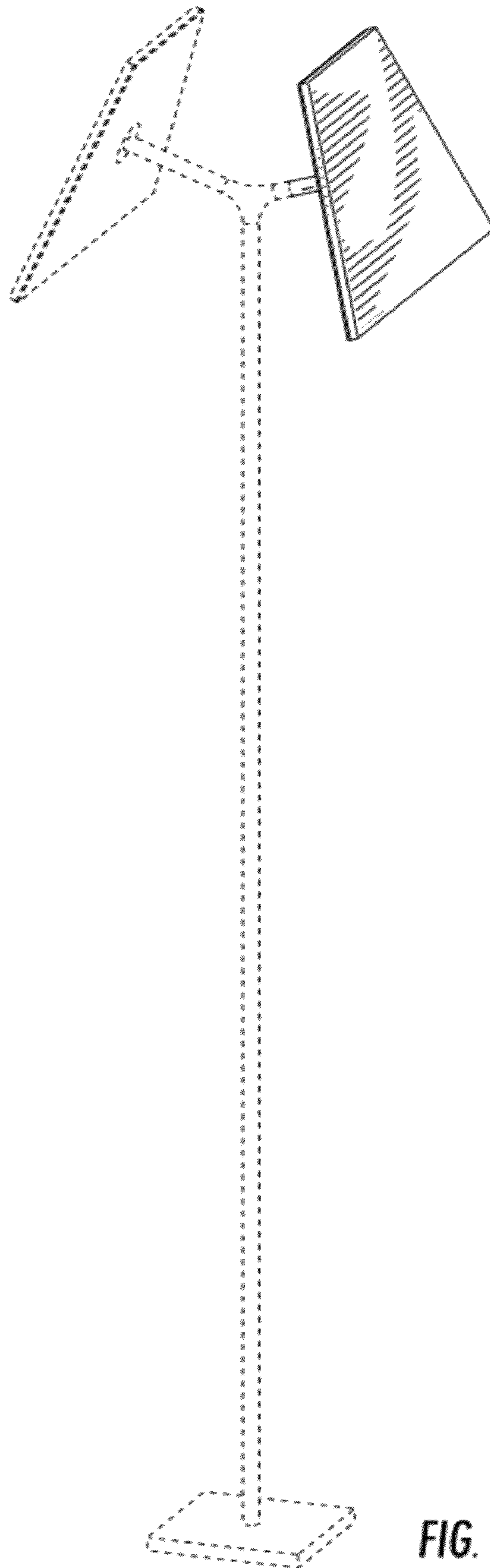


FIG. 10

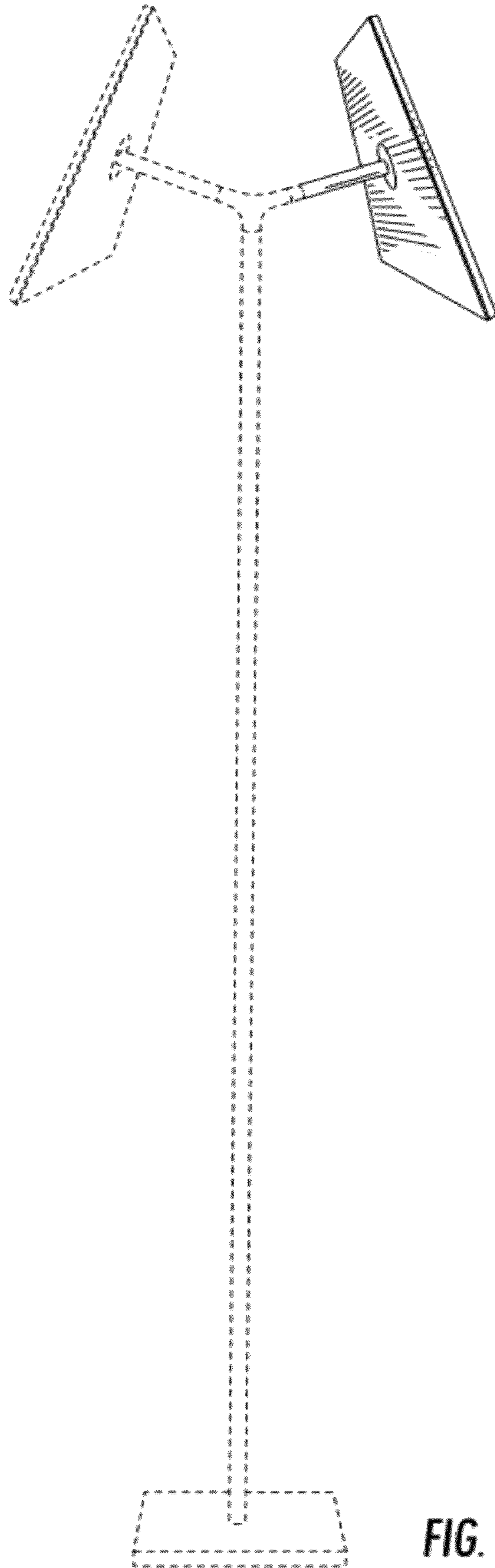


FIG. 11

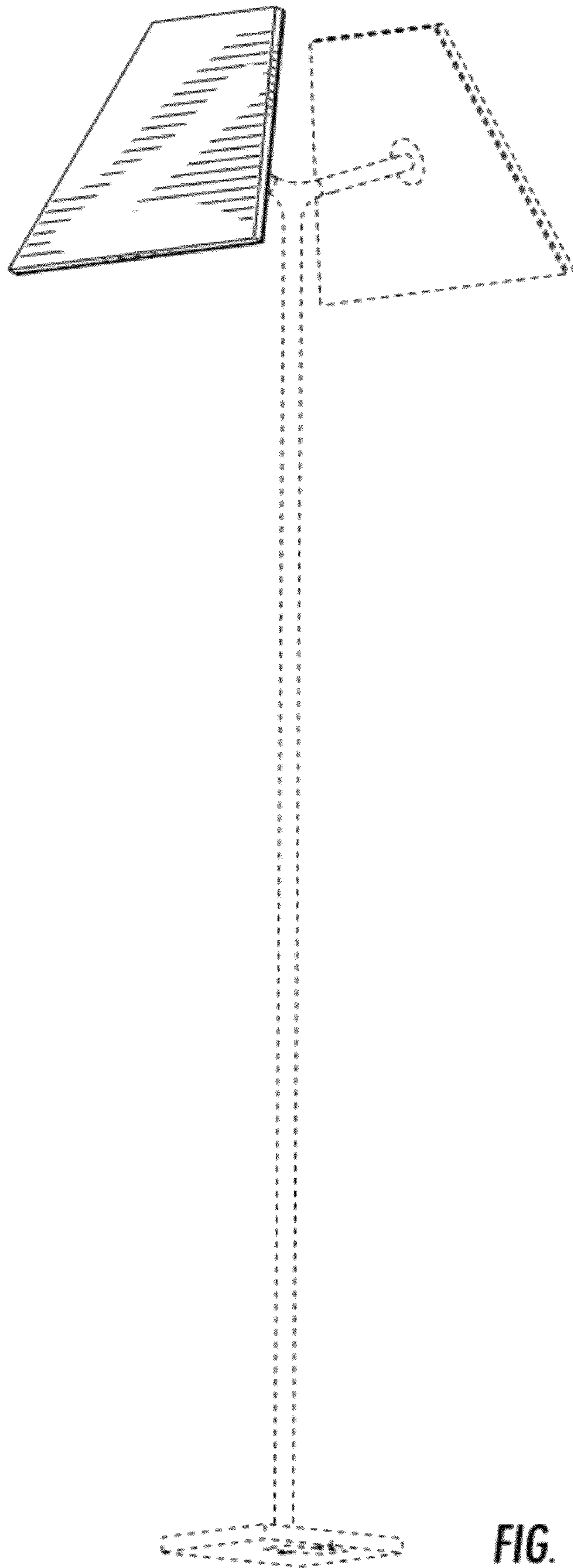


FIG. 12

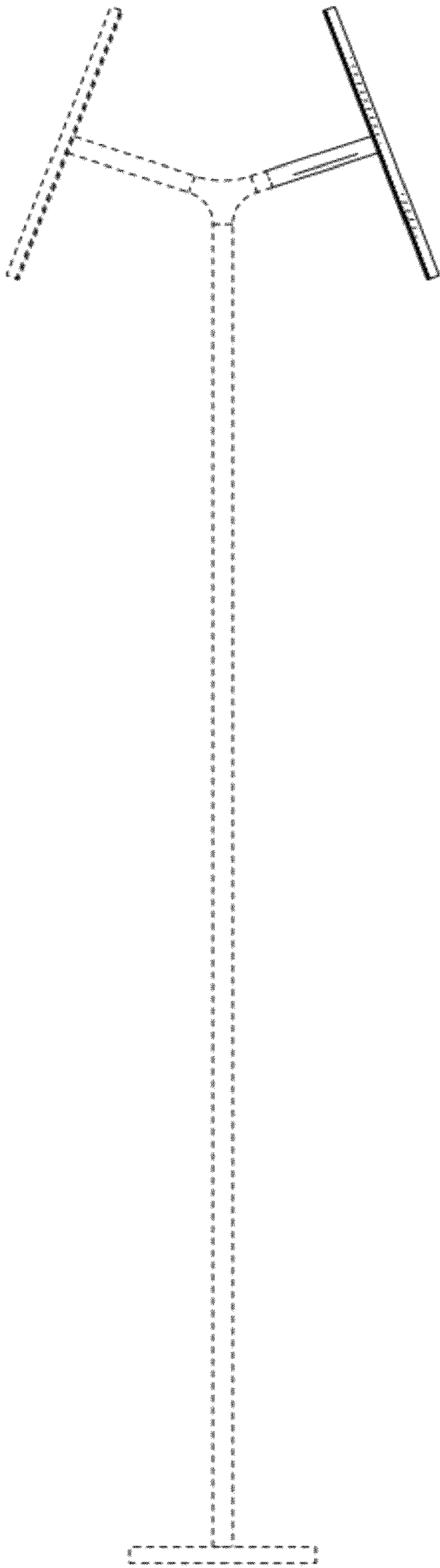


FIG. 13

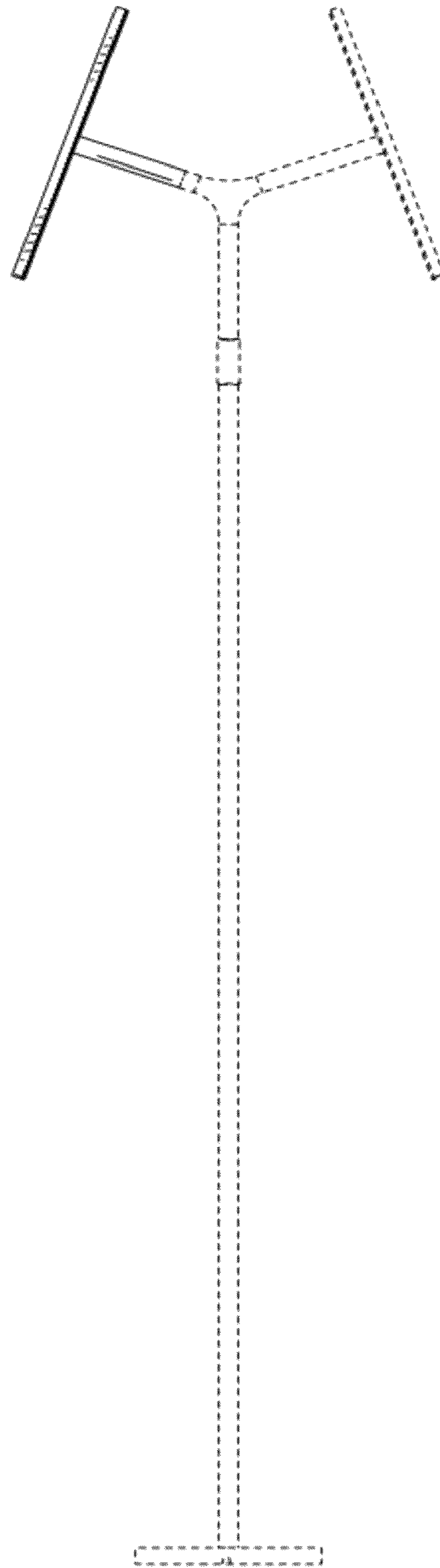


FIG. 14

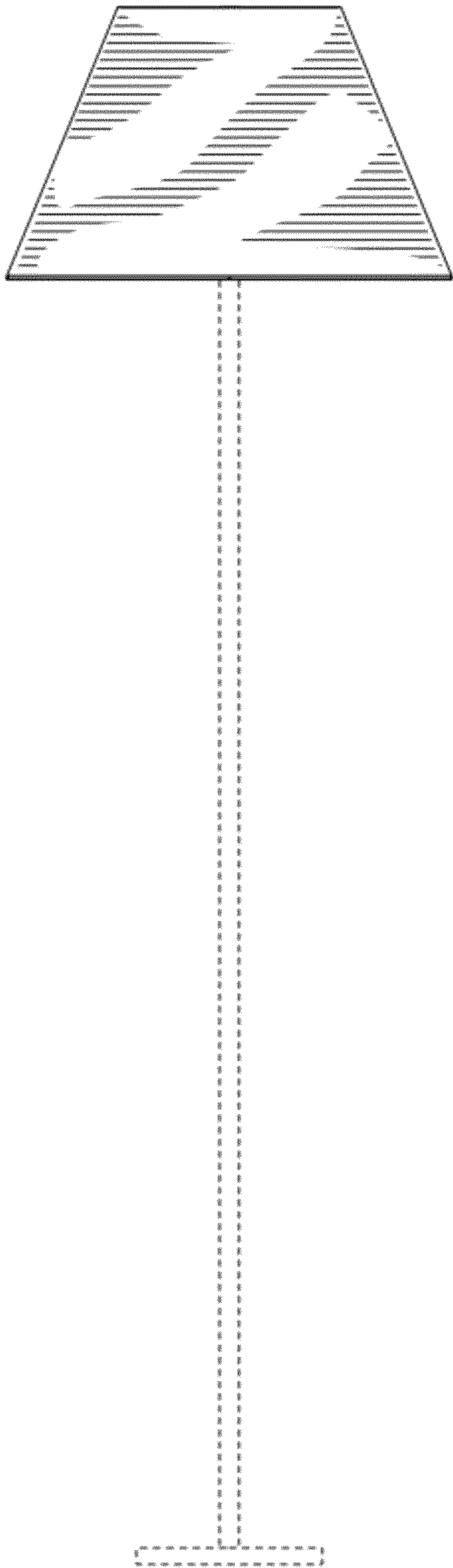


FIG. 15

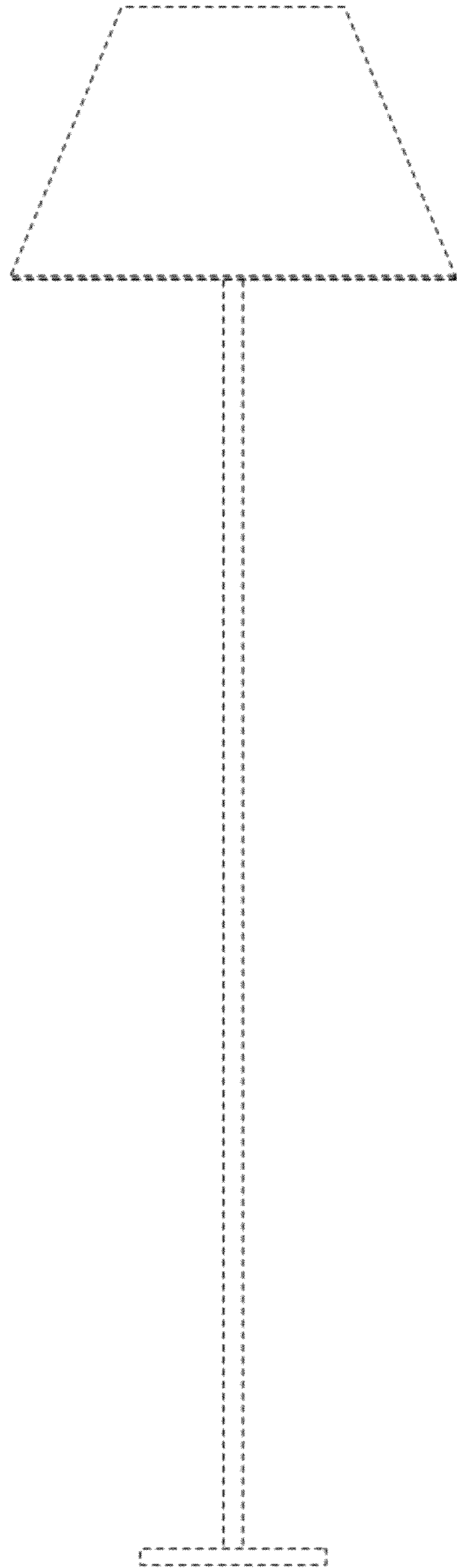


FIG. 16

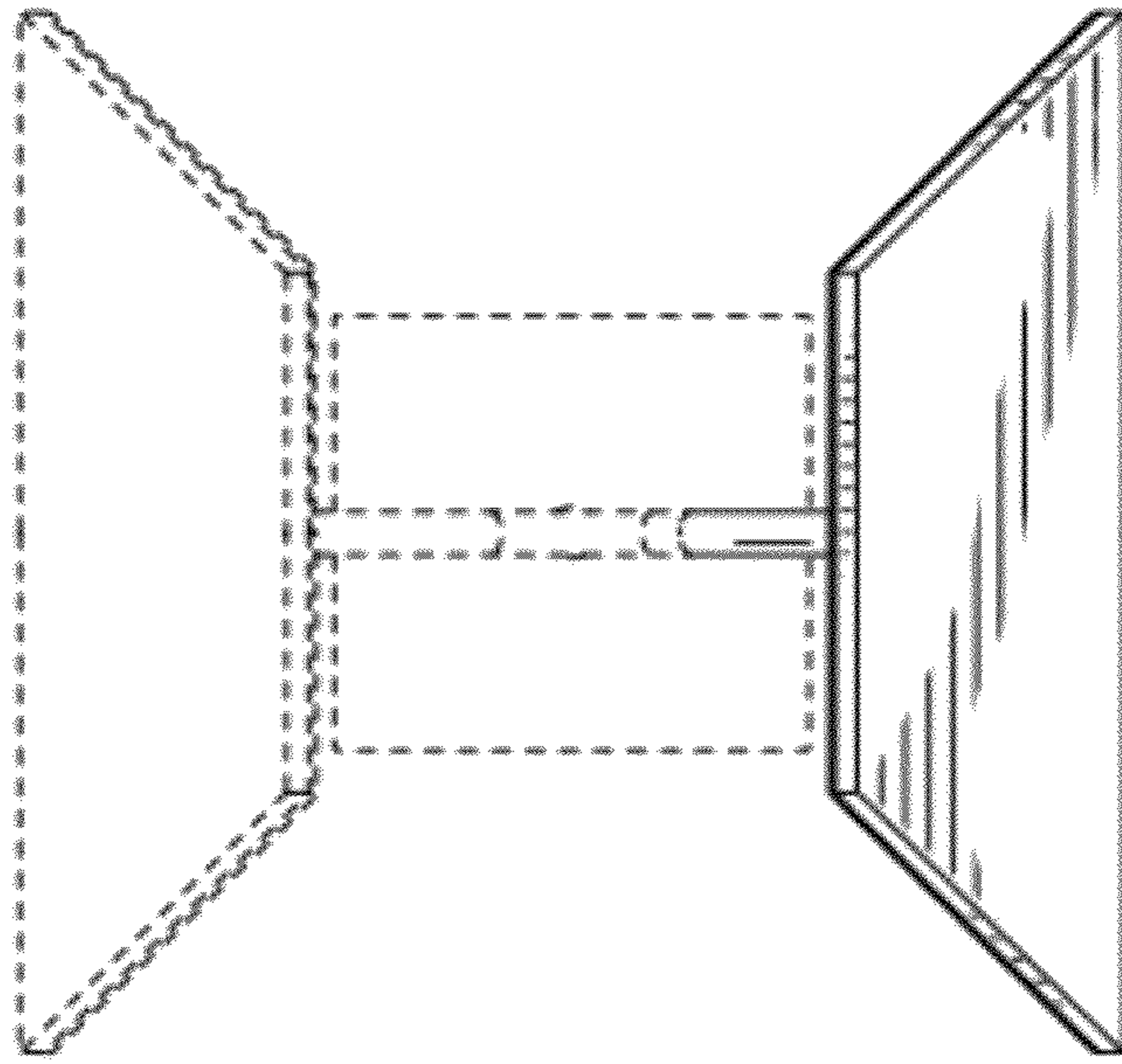


FIG. 17

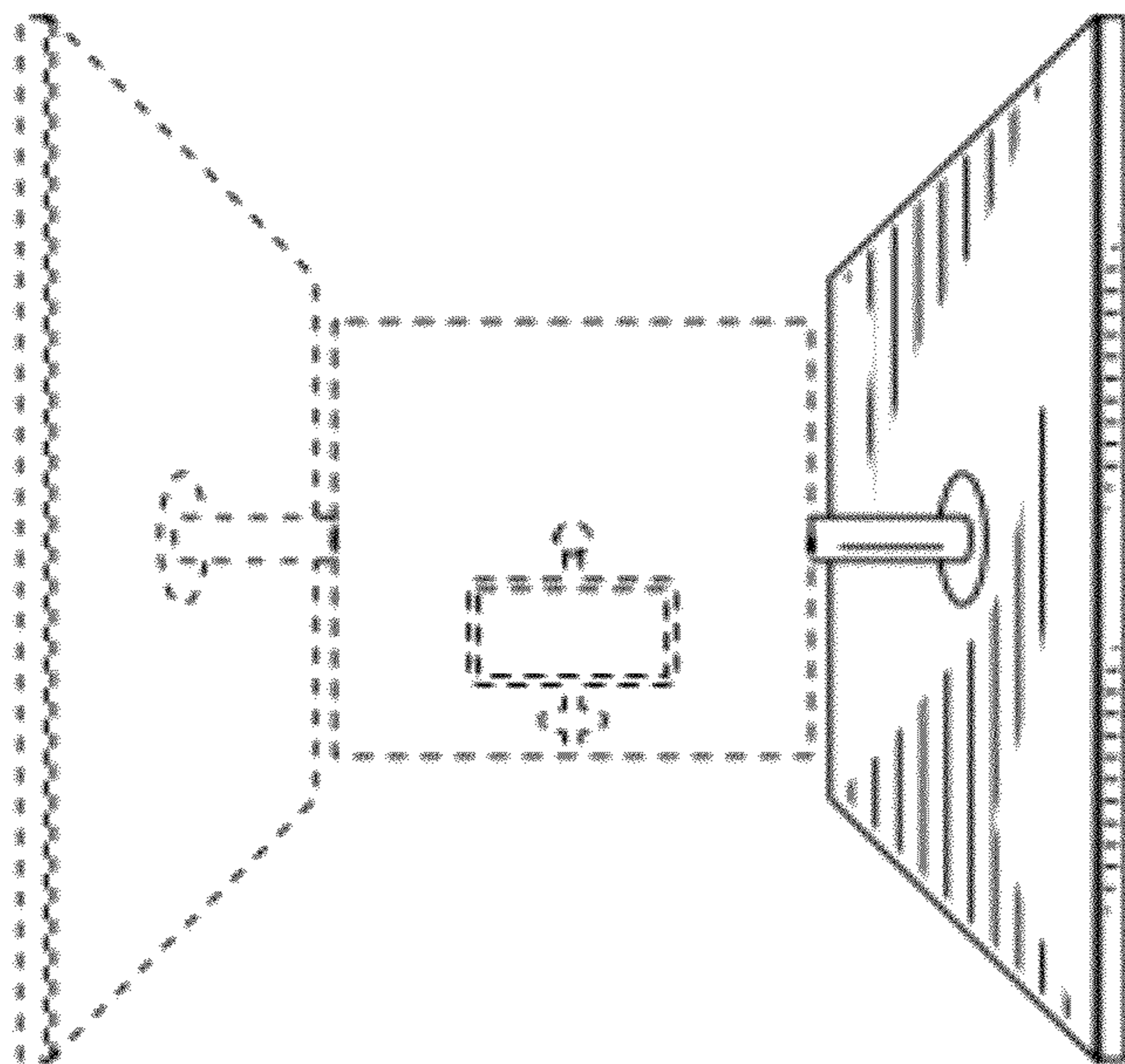


FIG. 18

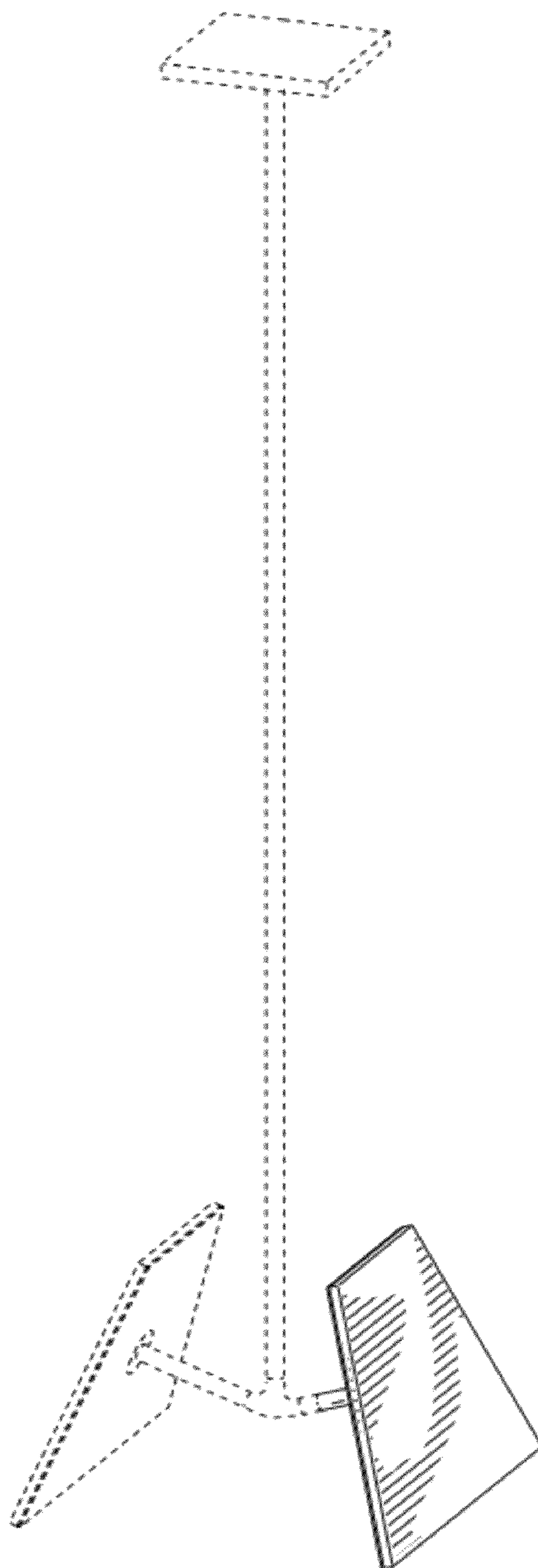


FIG. 19

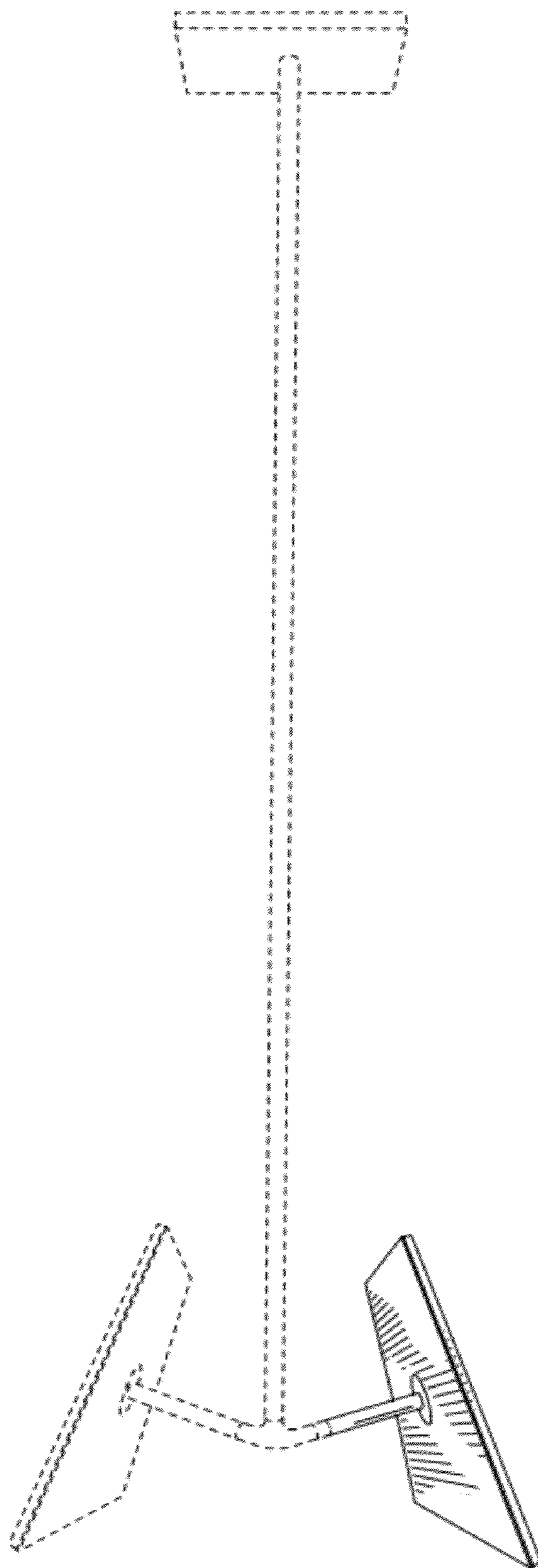


FIG. 20

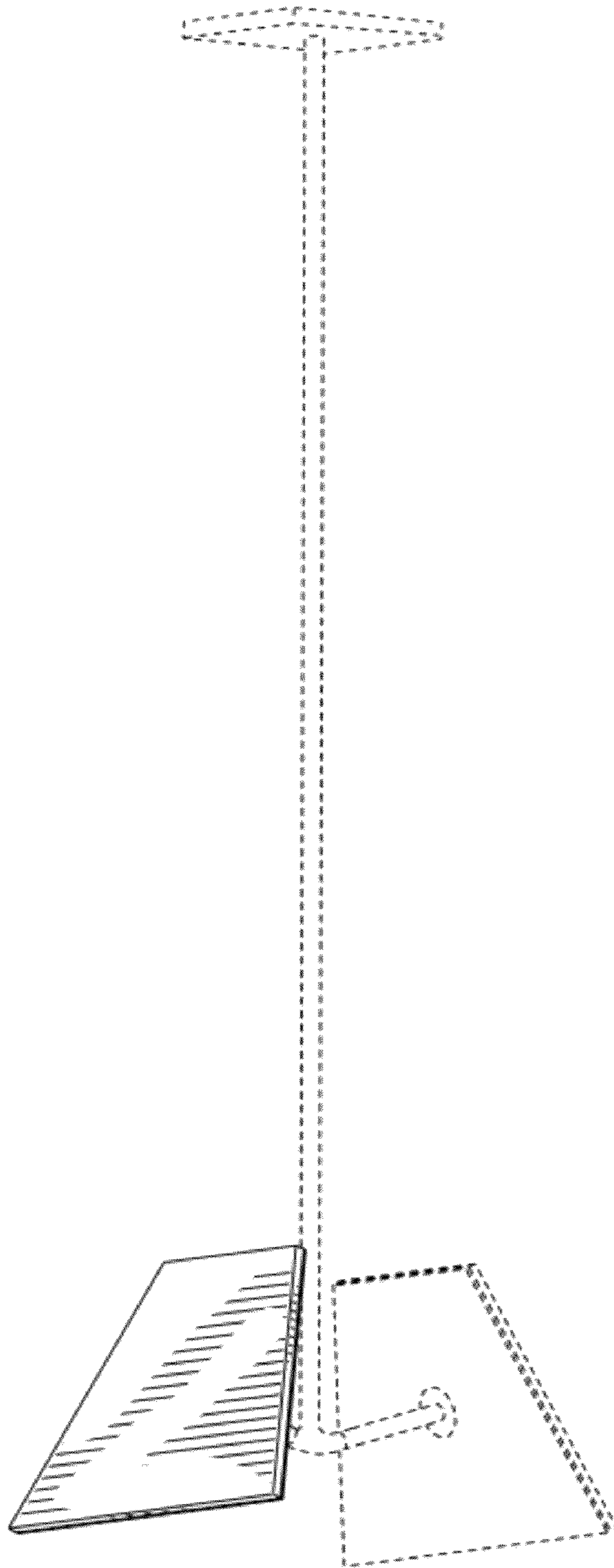


FIG. 21

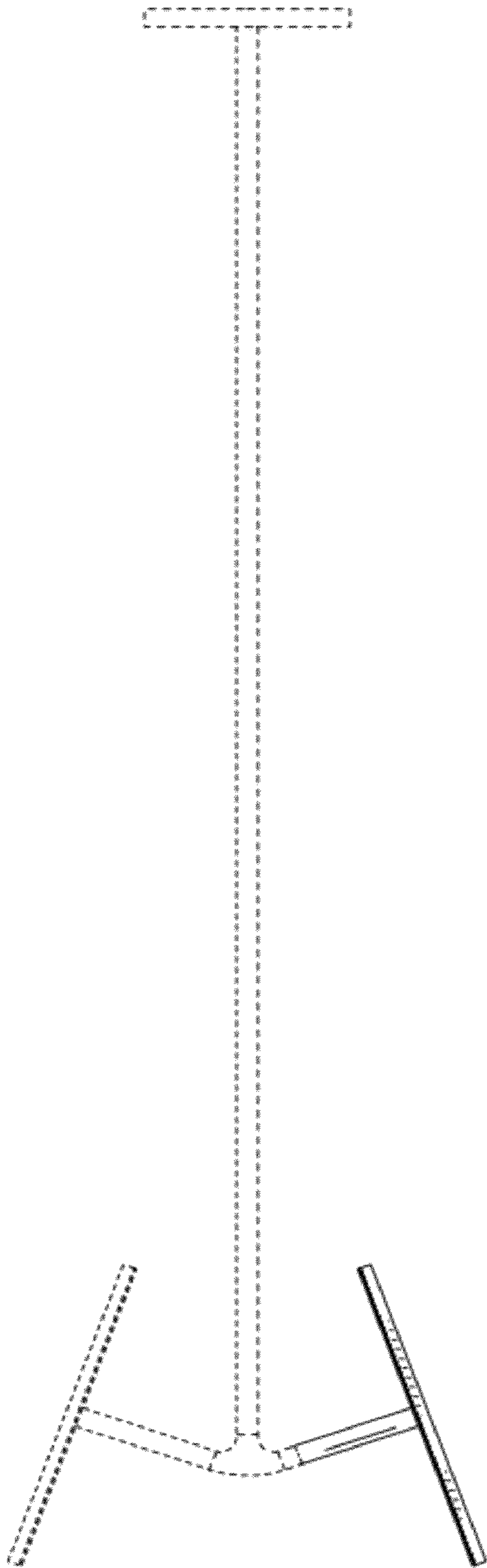


FIG. 22

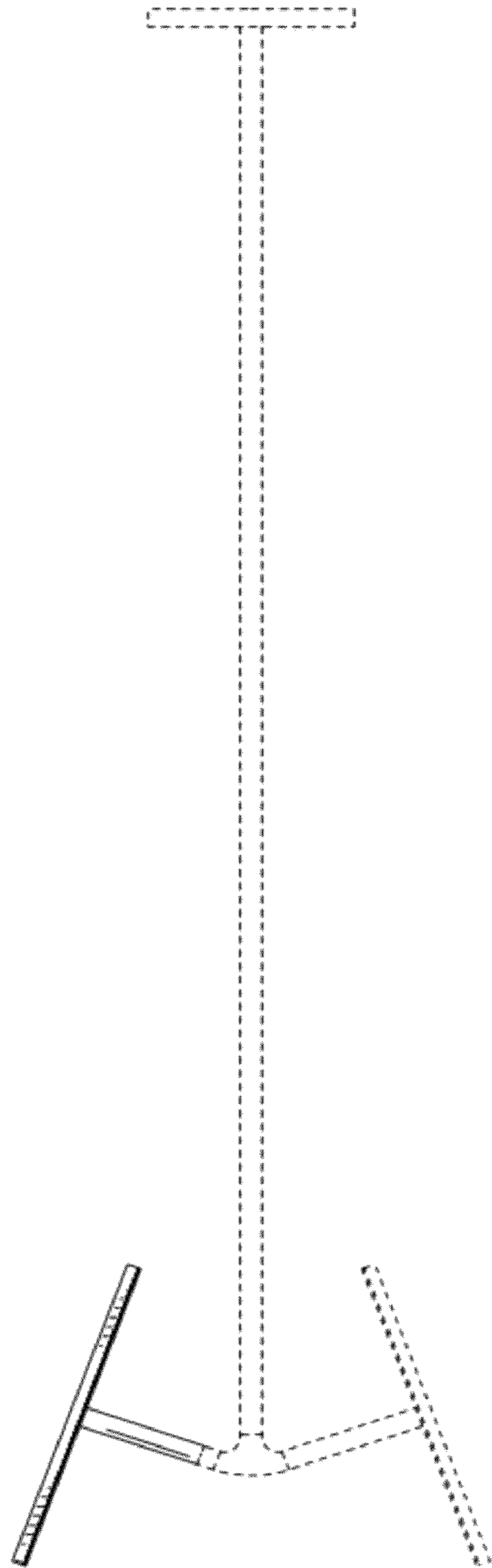


FIG. 23

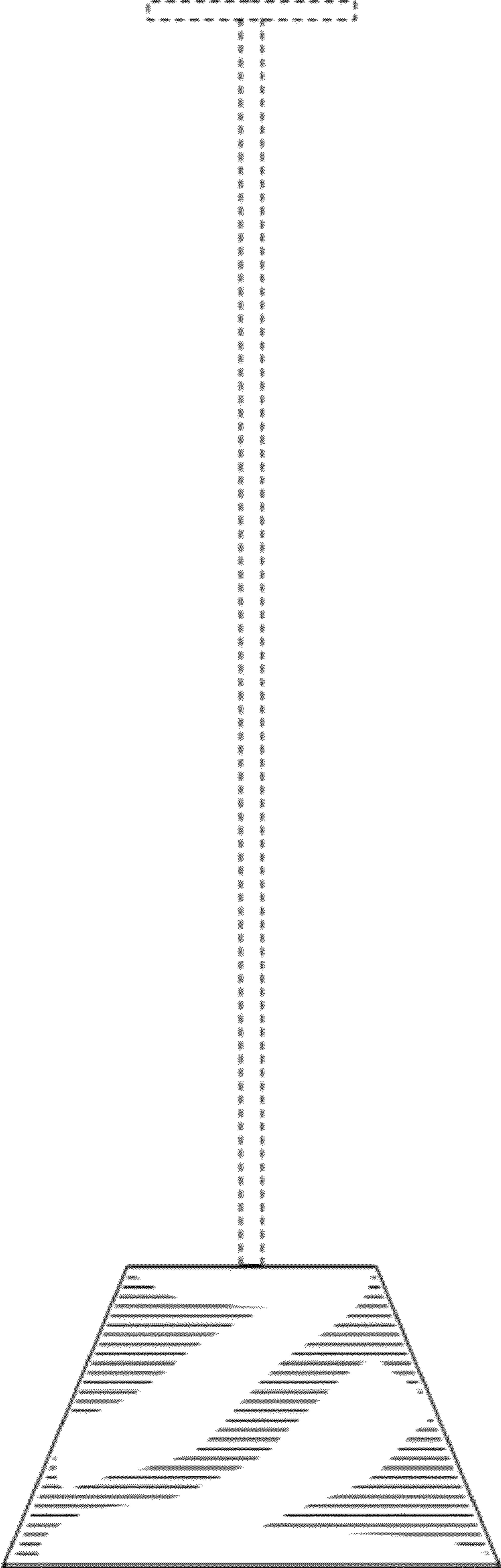


FIG. 24

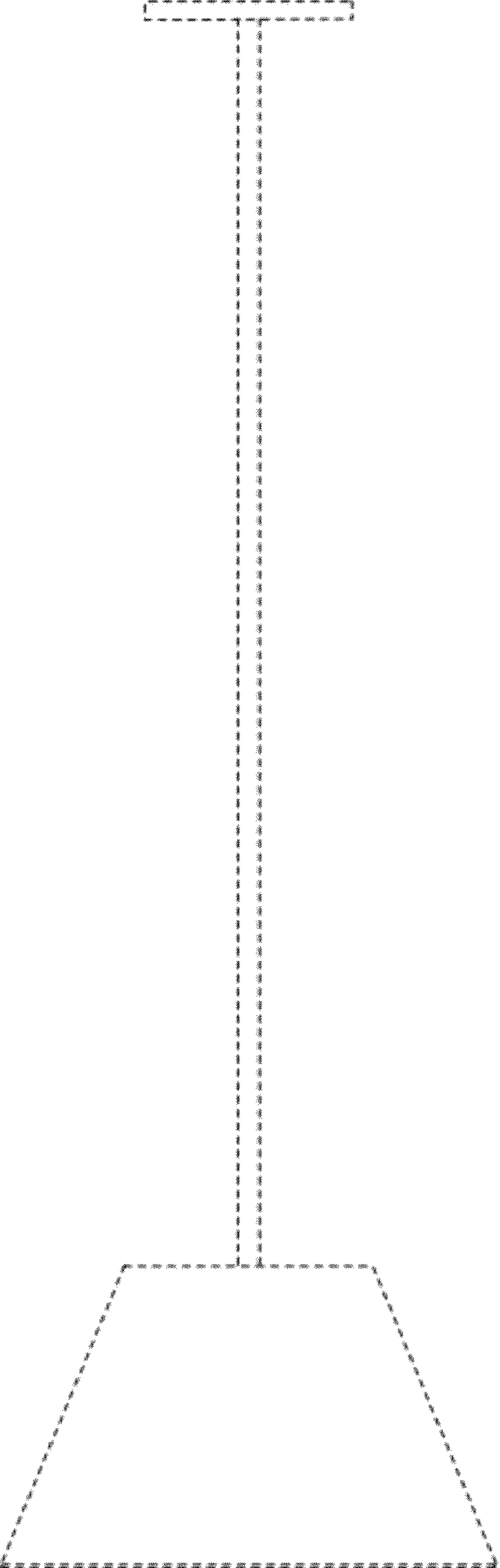


FIG. 25

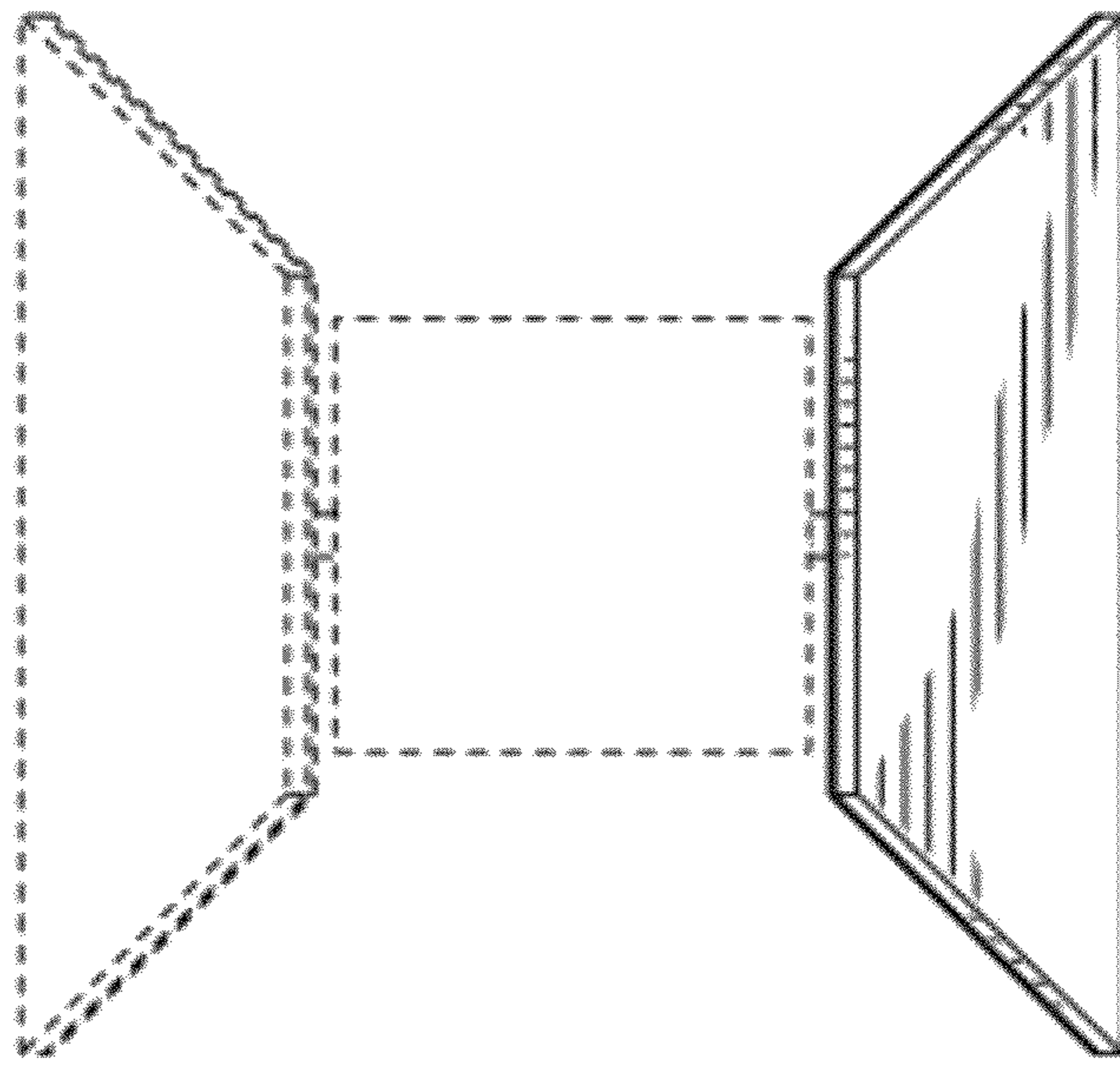


FIG. 26

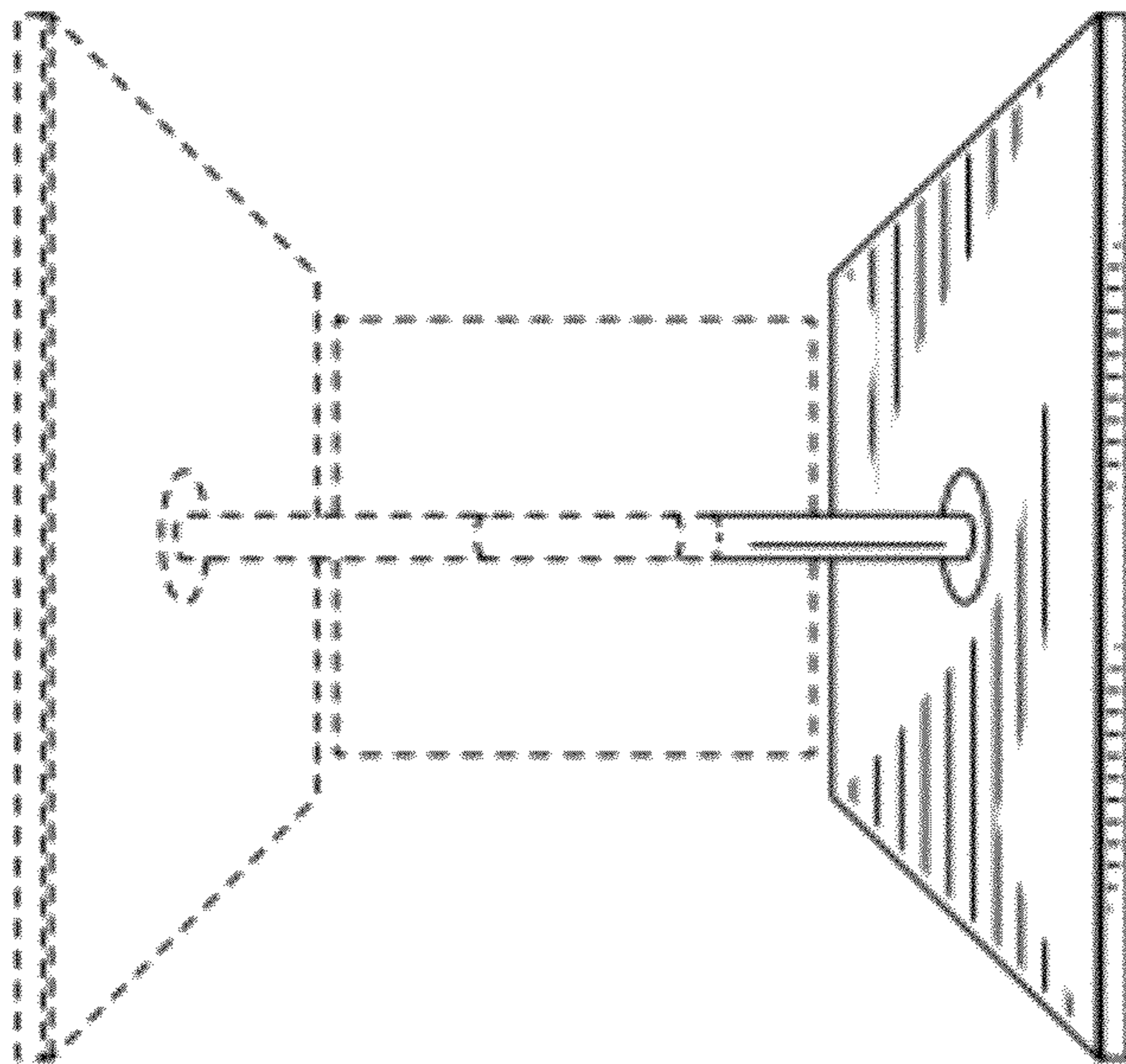


FIG. 27

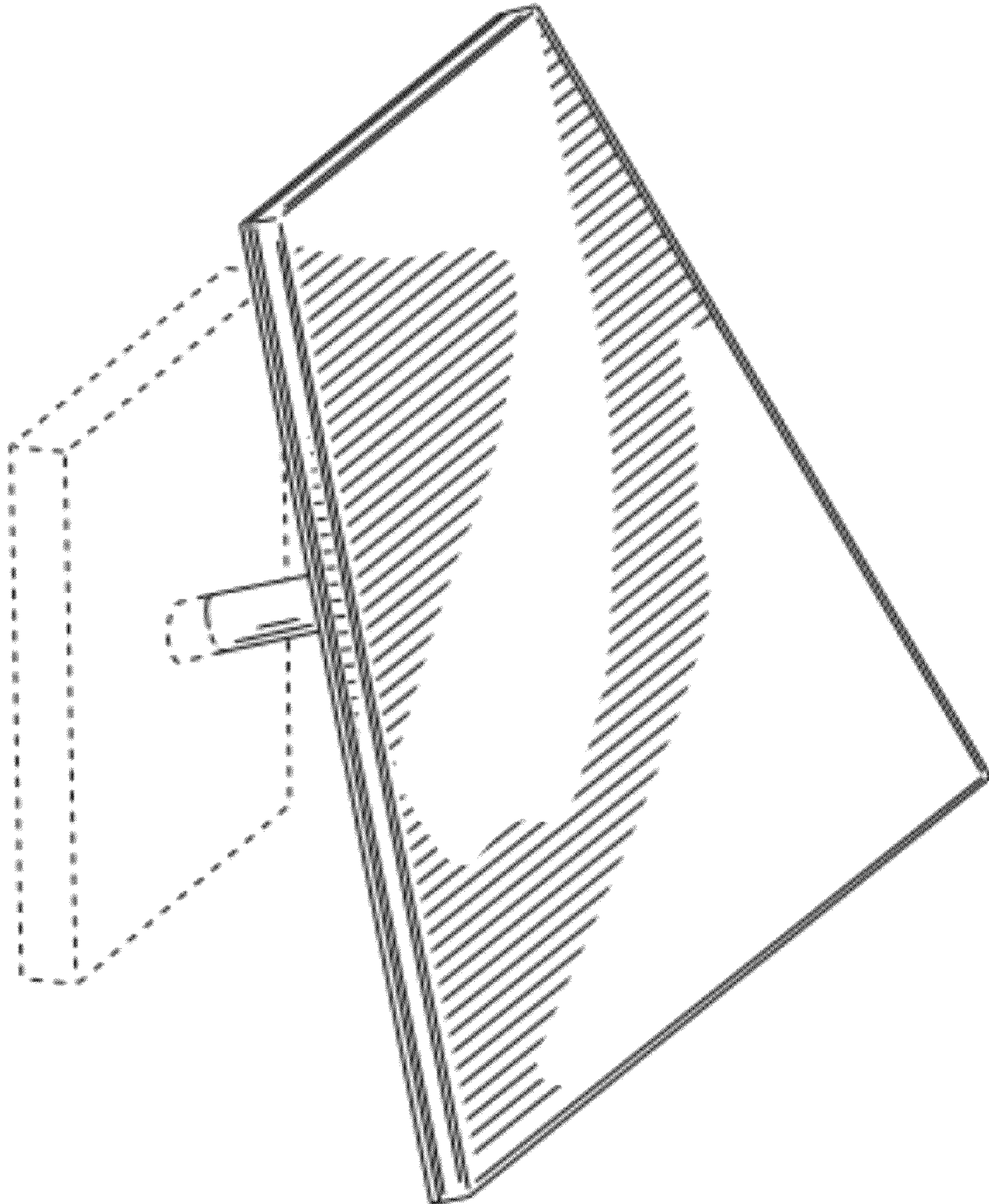


FIG. 28

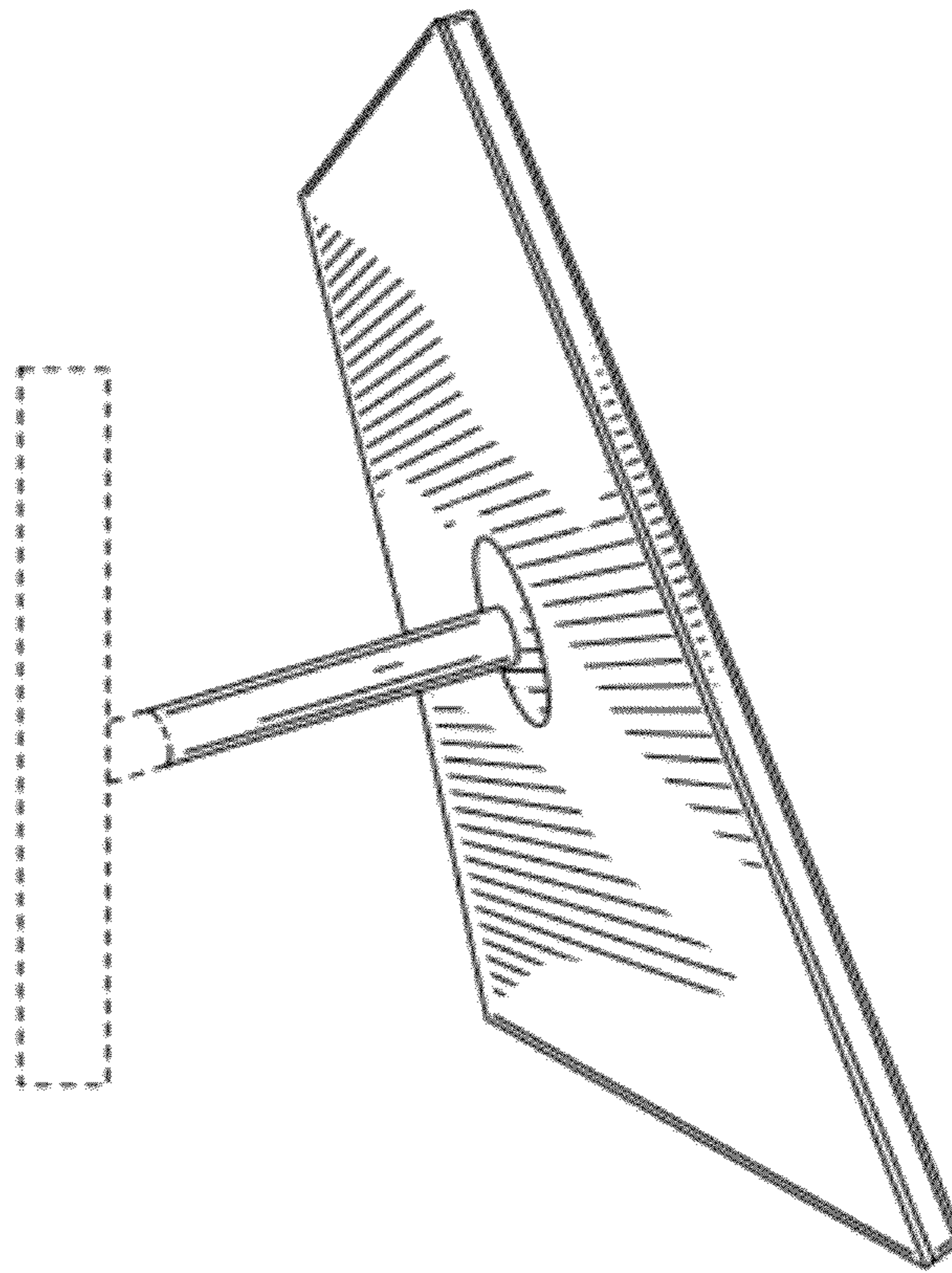


FIG. 29

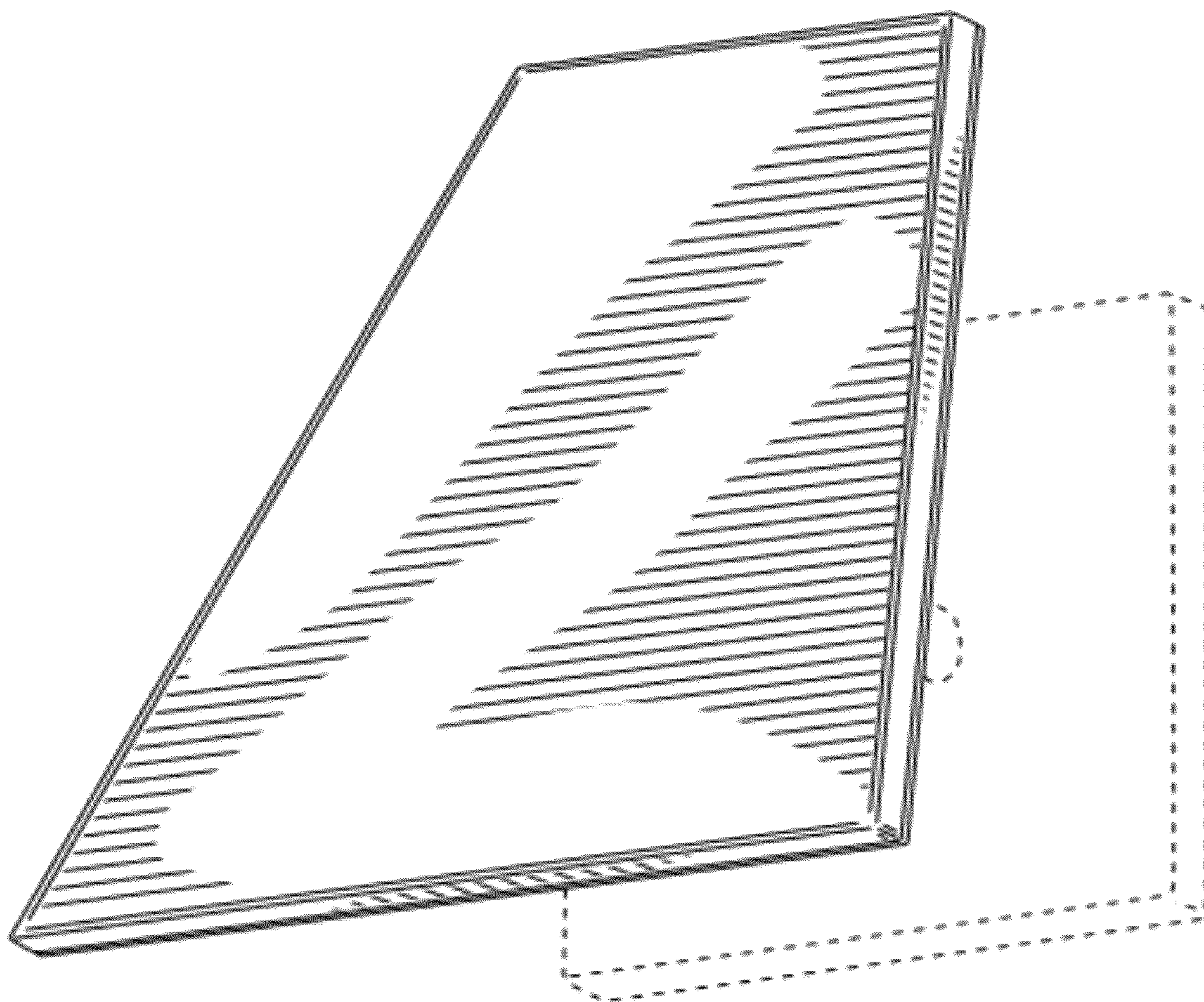


FIG. 30

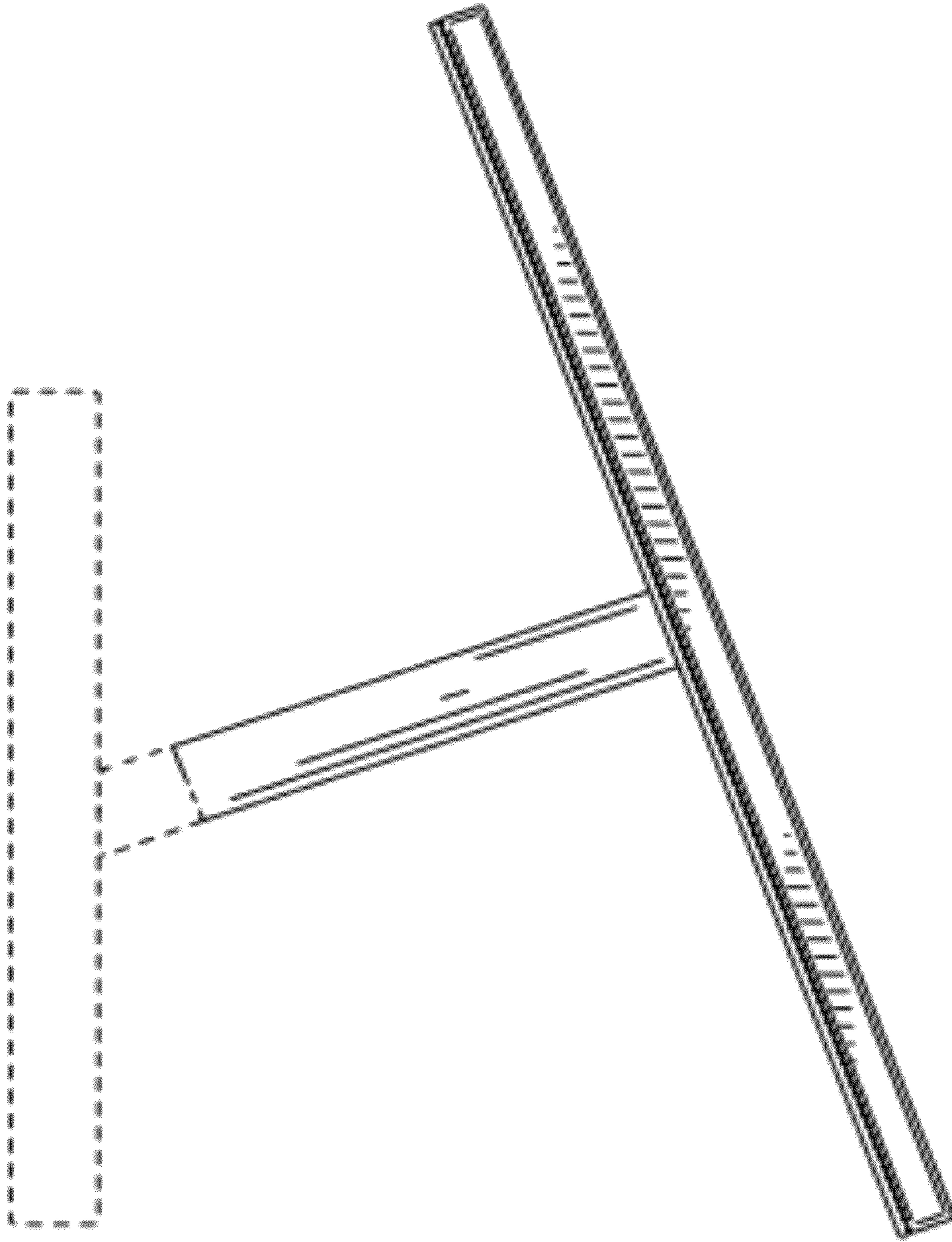


FIG. 31

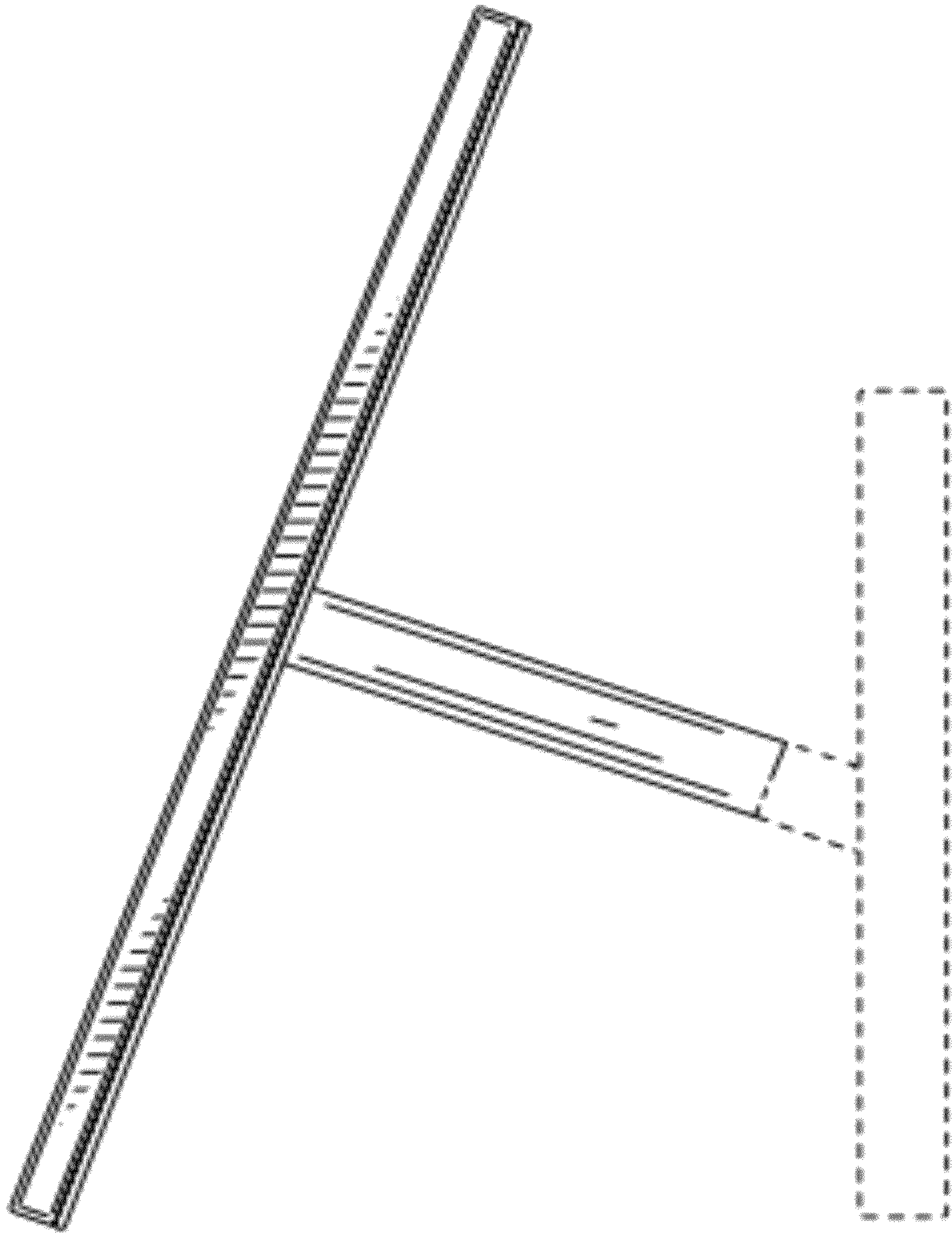


FIG. 32

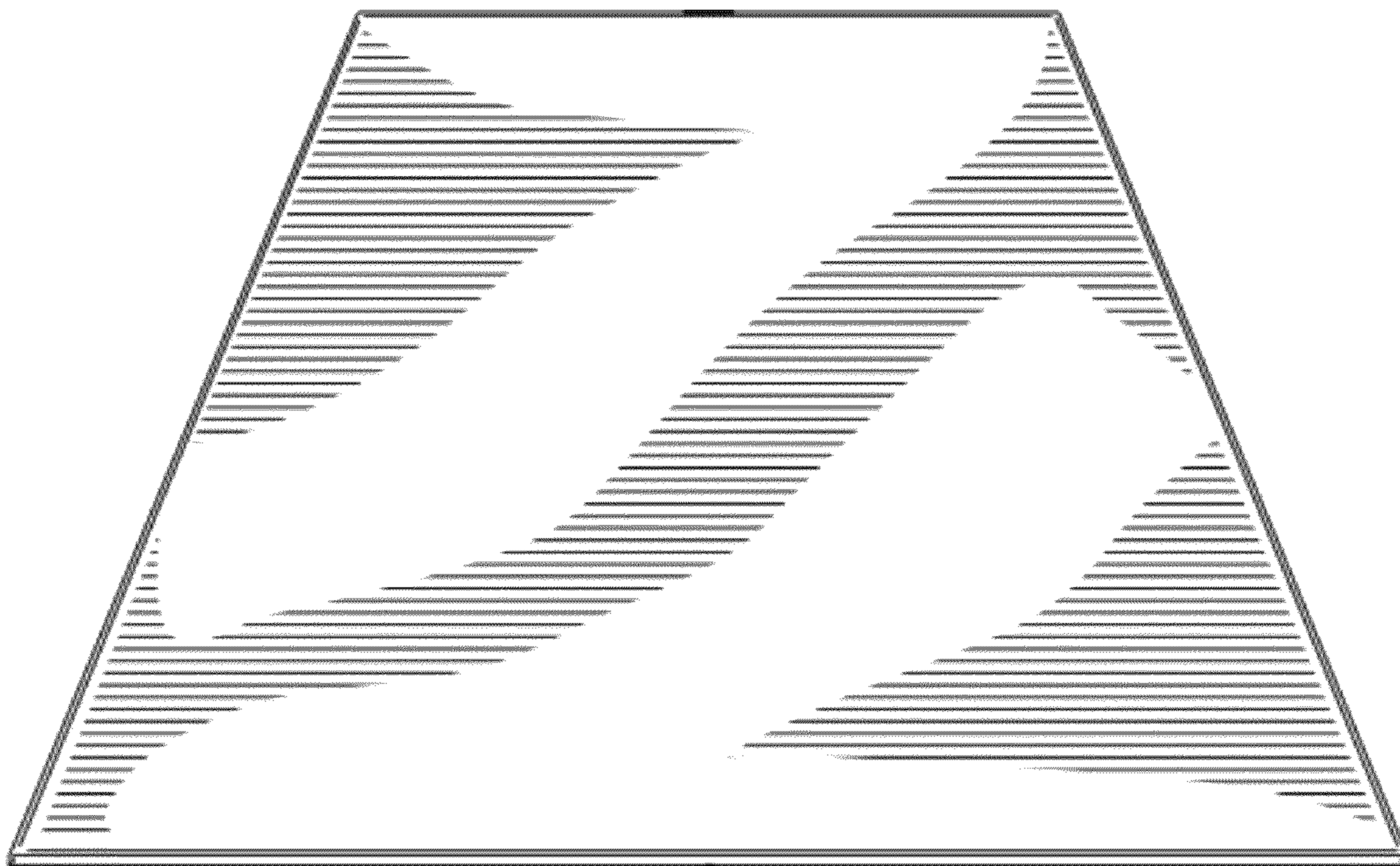


FIG. 33

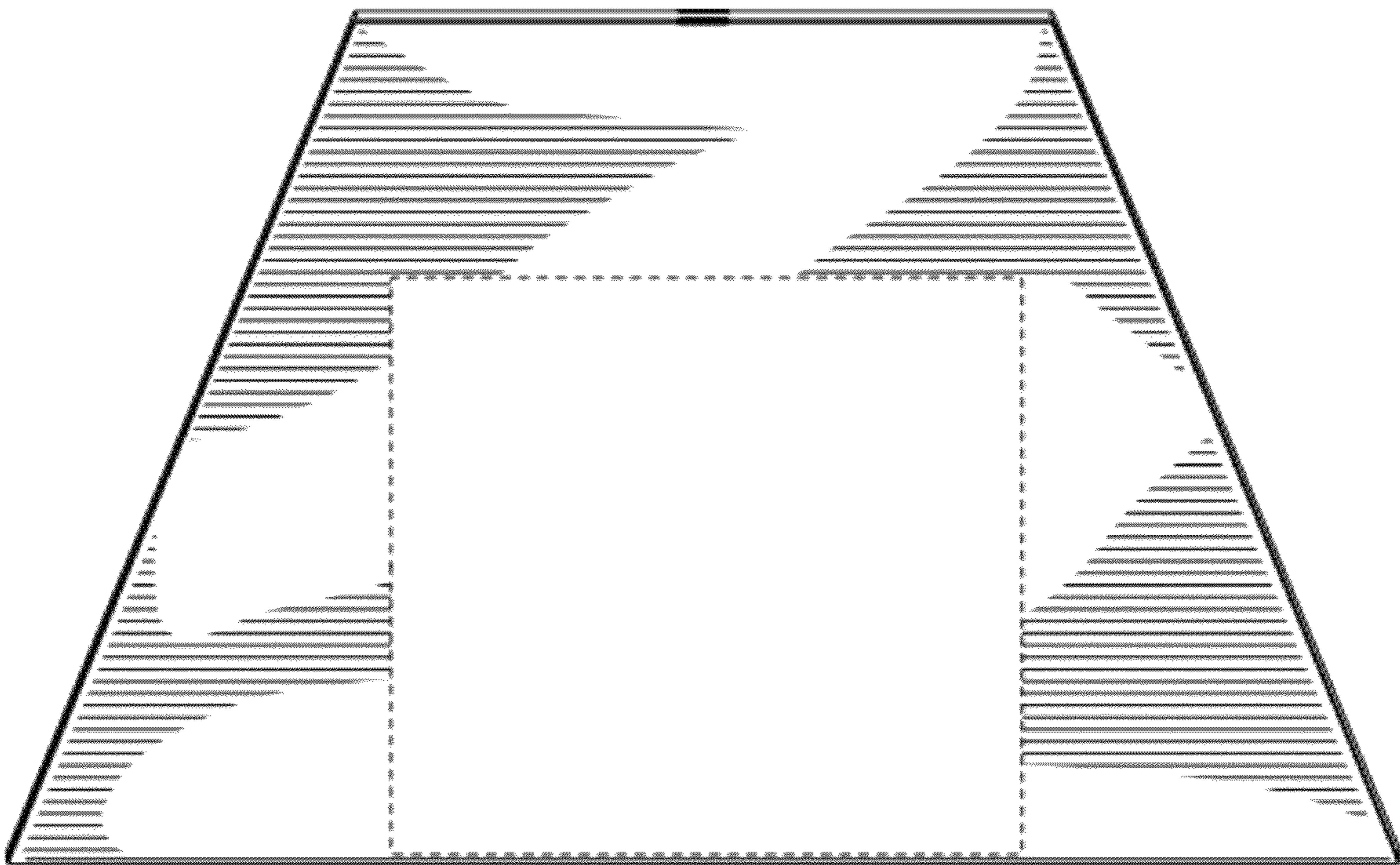


FIG. 34

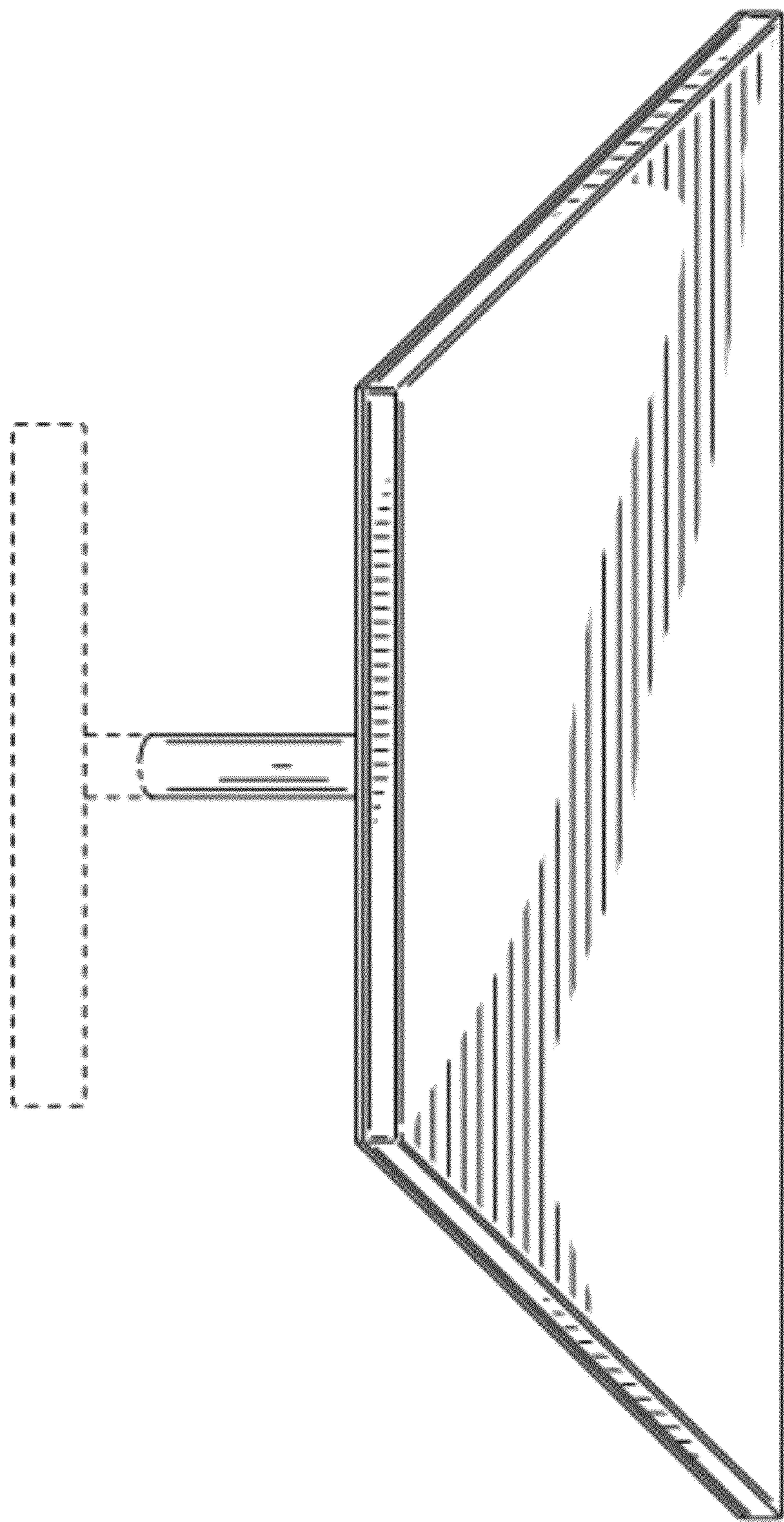


FIG. 35

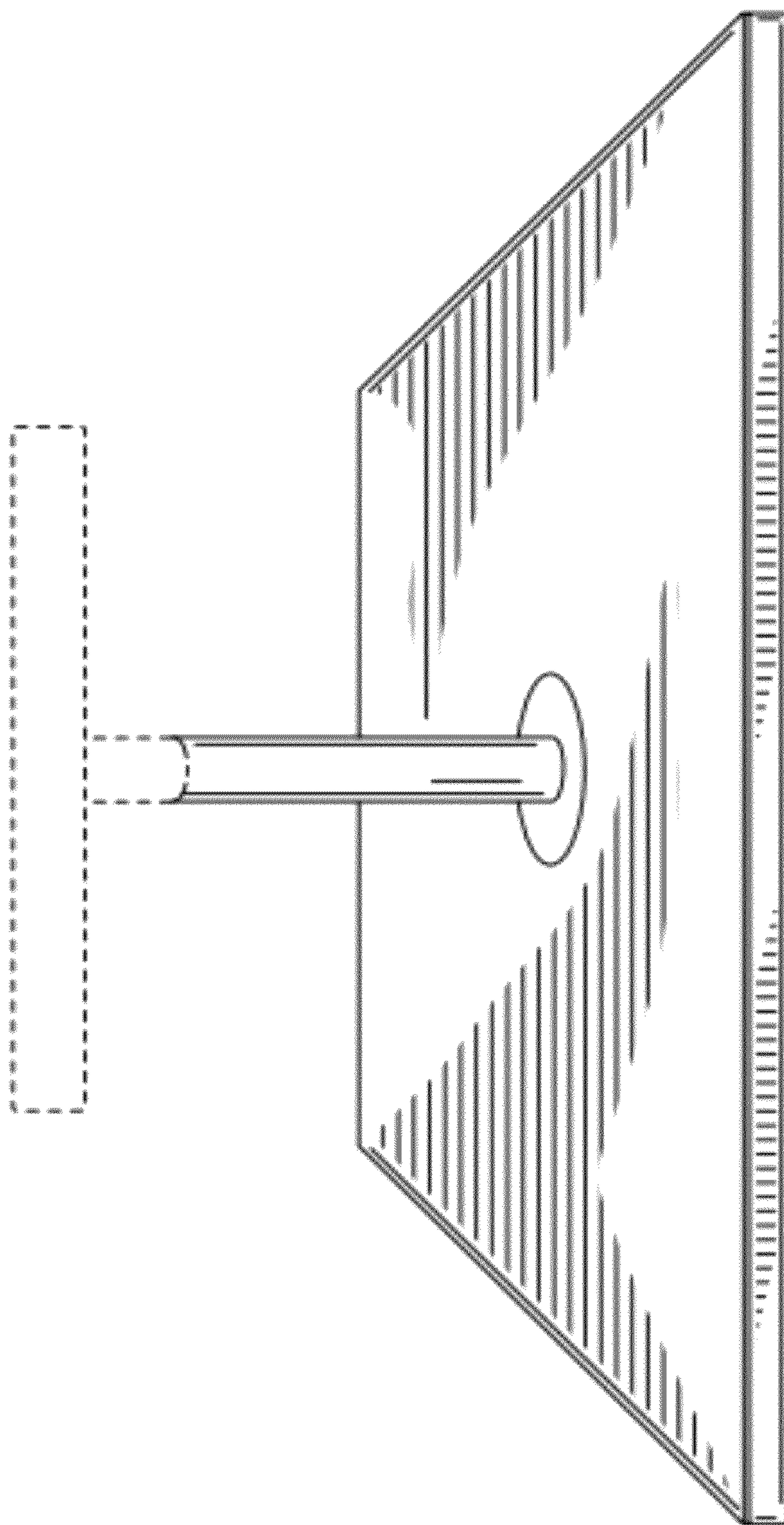


FIG. 36