



US00D675772S

(12) **United States Design Patent**  
**Tran et al.**

(10) **Patent No.:** **US D675,772 S**

(45) **Date of Patent:** **\*\* Feb. 5, 2013**

(54) **LIGHTING PANEL**

(75) Inventors: **Michael Trung Tran**, Oakland, CA (US); **Aaron Mathew Engel-Hall**, San Francisco, CA (US); **Darren Blum**, San Mateo, CA (US)

(73) Assignee: **ABL IP Holding, LLC**, Conyers, GA (US)

(\*\*) Term: **14 Years**

(21) Appl. No.: **29/419,924**

(22) Filed: **May 2, 2012**

(51) **LOC (9) Cl.** ..... **26-99**

(52) **U.S. Cl.** ..... **D26/120**

(58) **Field of Classification Search** ..... D26/1, D26/2, 118, 113, 138, 119, 120, 121, 122, D26/76, 77, 75, 78, 85, 86, 89, 90, 62, 64, D26/65, 66, 63, 73, 72, 74, 68, 71, 28, 123, D26/124, 127, 128, 129, 134, 135, 132, 139, D26/154, 155, 152, 149, 148, 145, 143, 142, D26/140, 141, 153, 144, 91, 92, 29, 24, 25, D26/26, 8, 114, 37, 87; 362/202, 347, 349, 362/362, 419, 96, 192, 145, 294, 326, 267, 362/373, 249.01–249.12; D13/102, 179, D13/180

See application file for complete search history.

(56) **References Cited**

**U.S. PATENT DOCUMENTS**

2,717,955	A *	9/1955	McGinty et al.	362/147
D212,899	S *	12/1968	Vesely et al.	D26/24
5,730,606	A *	3/1998	Sinclair	439/70
D503,691	S *	4/2005	Standing et al.	D13/182
D514,732	S *	2/2006	Benensohn	D26/89
D542,958	S *	5/2007	Lodhie et al.	D26/67
D551,379	S *	9/2007	Maxik	D26/74
D574,994	S *	8/2008	Boyer	D26/120
D575,245	S *	8/2008	Yen	D13/180
D595,450	S *	6/2009	Ko et al.	D26/120
D629,146	S *	12/2010	van den Akker	D26/89
D632,007	S *	2/2011	Kim et al.	D26/120
D634,055	S *	3/2011	Hokazono et al.	D26/89
D634,056	S *	3/2011	Hokazono et al.	D26/89
D640,821	S *	6/2011	Kocks	D26/89

D640,822	S *	6/2011	Wildner	D26/89
D641,098	S *	7/2011	Wildner	D26/89
D642,996	S *	8/2011	Miyake	D13/180
D643,566	S *	8/2011	Hickok et al.	D26/88
D645,008	S *	9/2011	Shan et al.	D13/180
8,011,812	B2 *	9/2011	Schnitzer	362/326
D646,811	S *	10/2011	Takeuchi et al.	D26/2
D649,678	S *	11/2011	Germain et al.	D26/91
D649,679	S *	11/2011	Germain et al.	D26/91
D655,853	S *	3/2012	Kim et al.	D26/89
D656,654	S *	3/2012	Wauters	D26/89
D658,599	S *	5/2012	Takahashi et al.	D13/180
D658,602	S *	5/2012	Egawa et al.	D13/180
D660,811	S *	5/2012	Miyoshi	D13/180
D661,421	S *	6/2012	Hor et al.	D26/84
D667,162	S *	9/2012	Choi et al.	D26/89
2006/0000920	A1 *	1/2006	Leonard	239/34
2006/0220056	A1 *	10/2006	Lee	257/100
2010/0165627	A1 *	7/2010	Wung et al.	362/249.02

\* cited by examiner

*Primary Examiner* — Kevin Rudzinski

(74) *Attorney, Agent, or Firm* — Beeson Skinner Beverly, LLP

(57)

**CLAIM**

The ornamental design for a lighting panel, as shown and described.

**DESCRIPTION**

FIG. 1 is a bottom perspective view of a lighting panel showing our new design, with a broken line representation of a lighting fixture in which the lighting panel may be used;

FIG. 2 is an enlarged bottom perspective view of a lighting panel shown in FIG. 1;

FIG. 3 is an enlarged top perspective view thereof;

FIG. 4 is an enlarged front elevational view thereof, the rear being a mirror image;

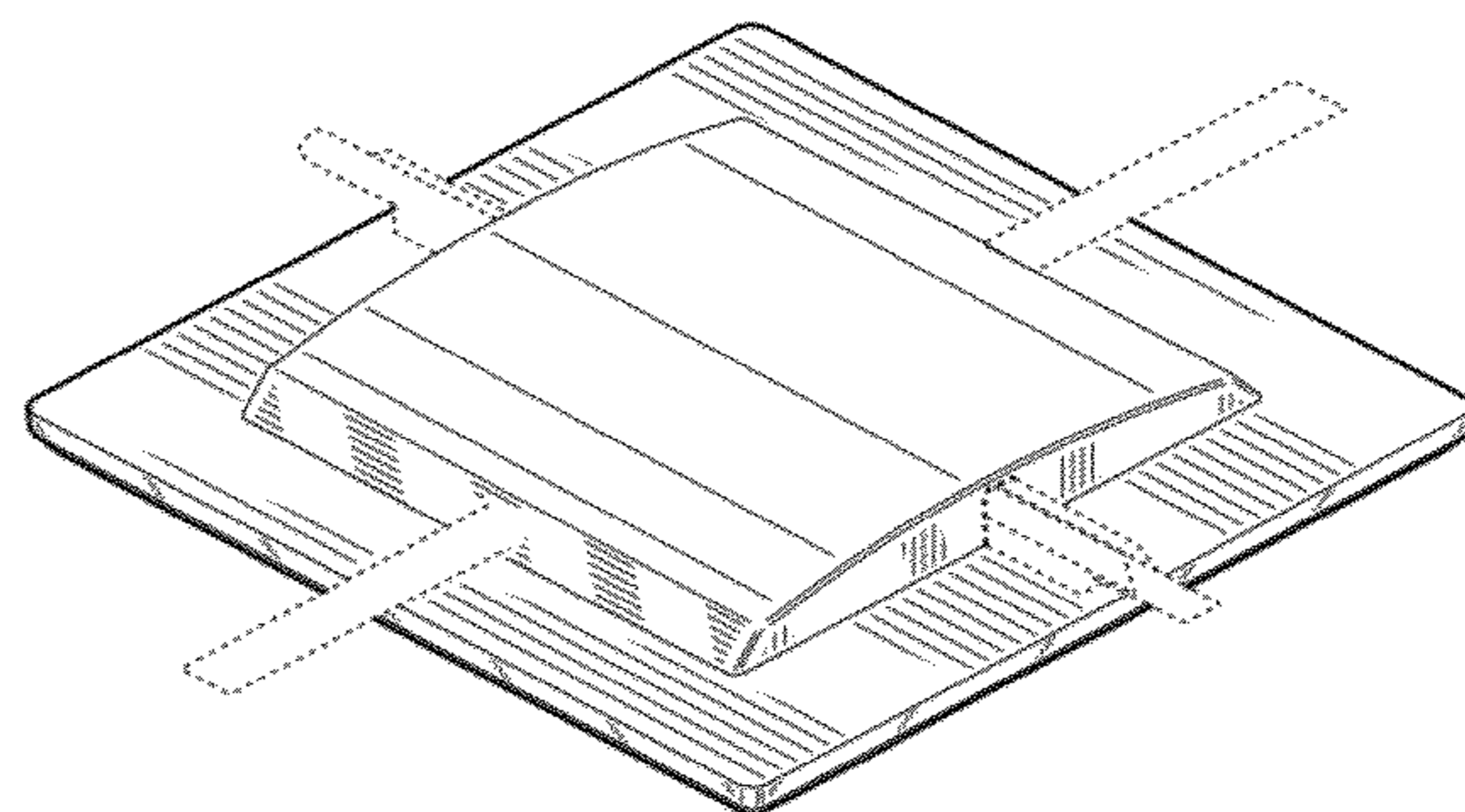
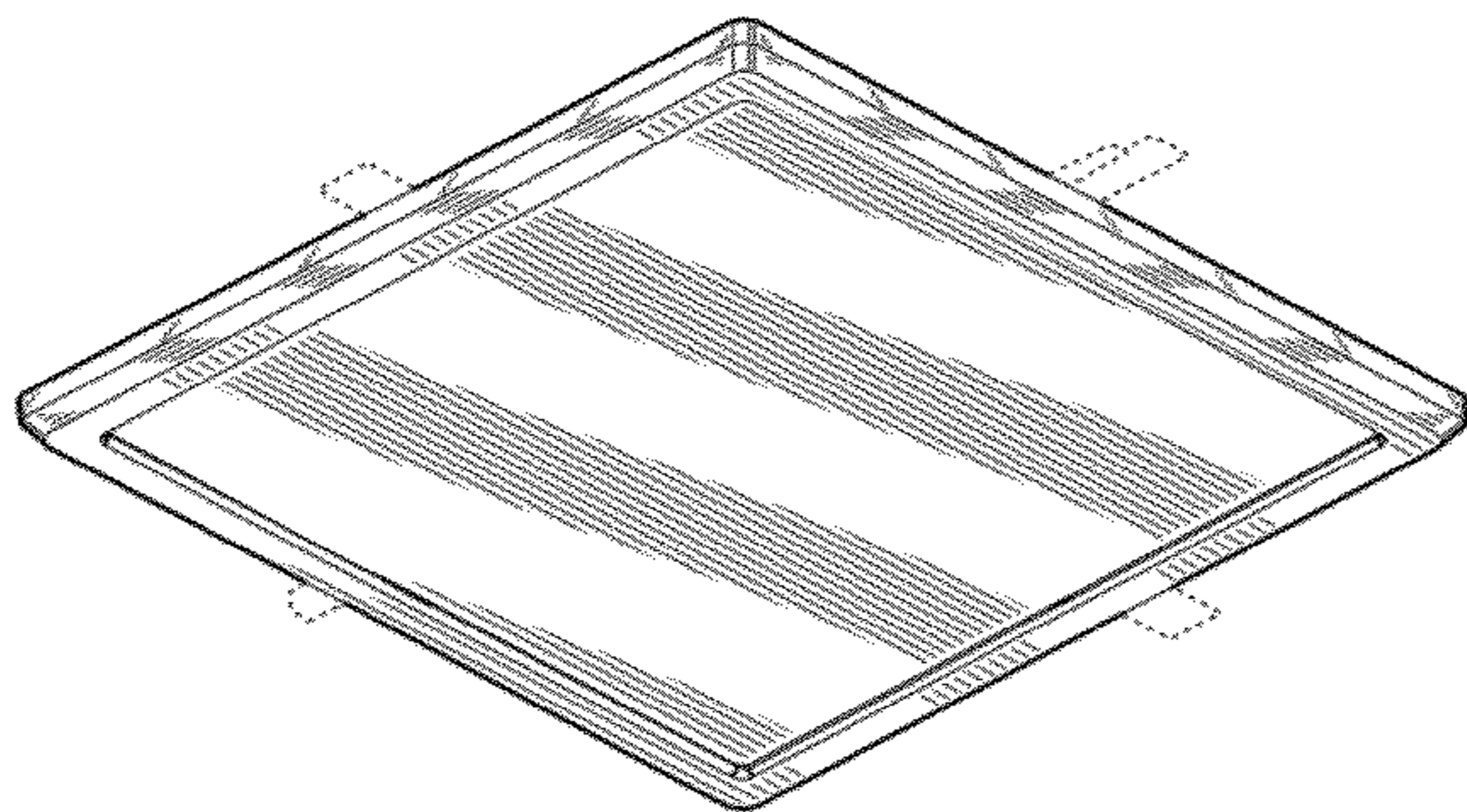
FIG. 5 is an enlarged right side elevational view thereof, the left side being a mirror image;

FIG. 6 is an enlarged bottom plan view thereof; and,

FIG. 7 is an enlarged top plan view thereof.

The broken line representation in FIG. 1 of a complete lighting fixture and of the suspension cable and power cords therefor are to show environment only and form no part of the claimed design. The broken line representation in FIGS. 2-7 of connecting elements for the lighting panel are for illustrative purposes only and form no part of the claimed design.

**1 Claim, 4 Drawing Sheets**





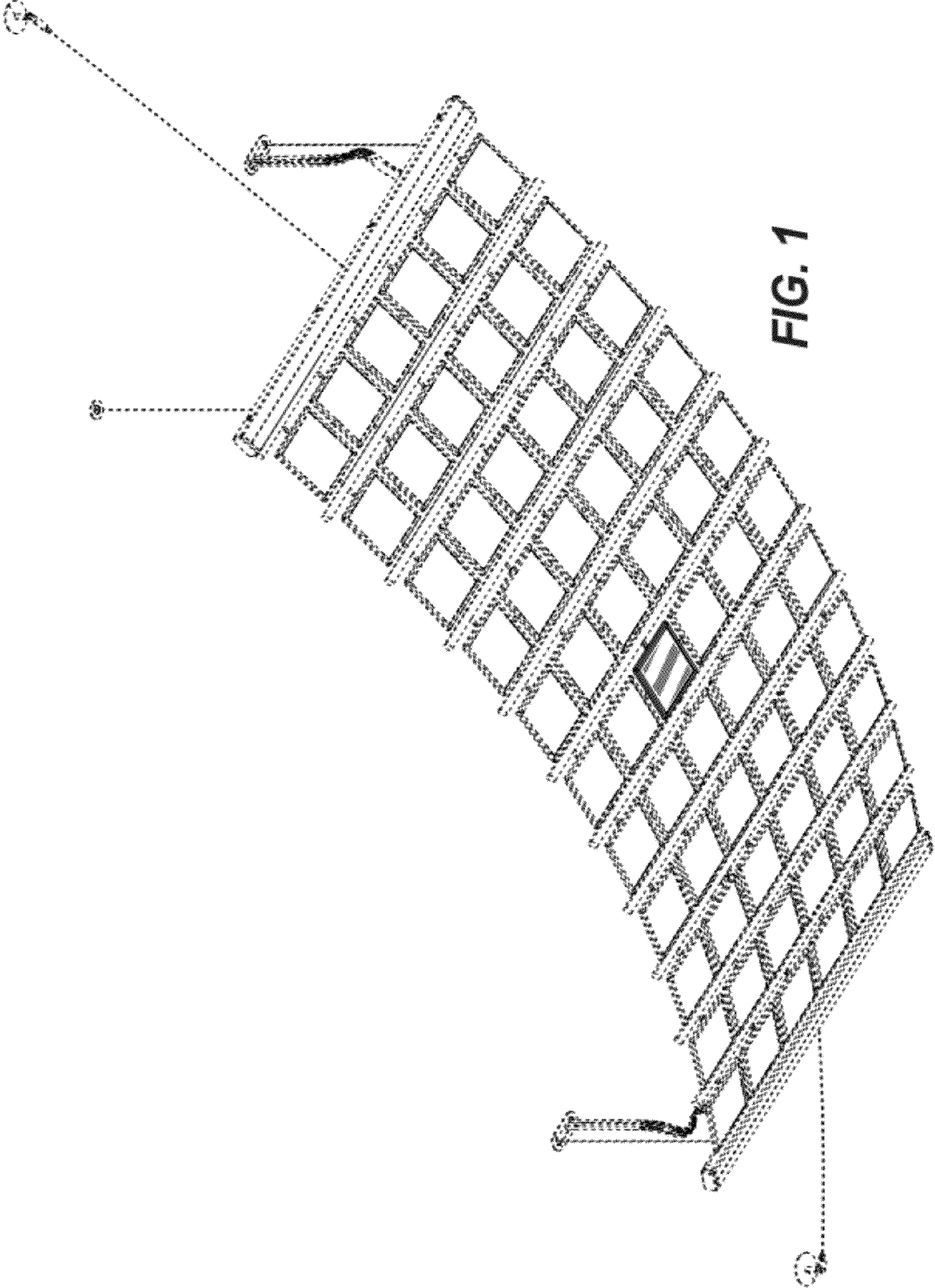
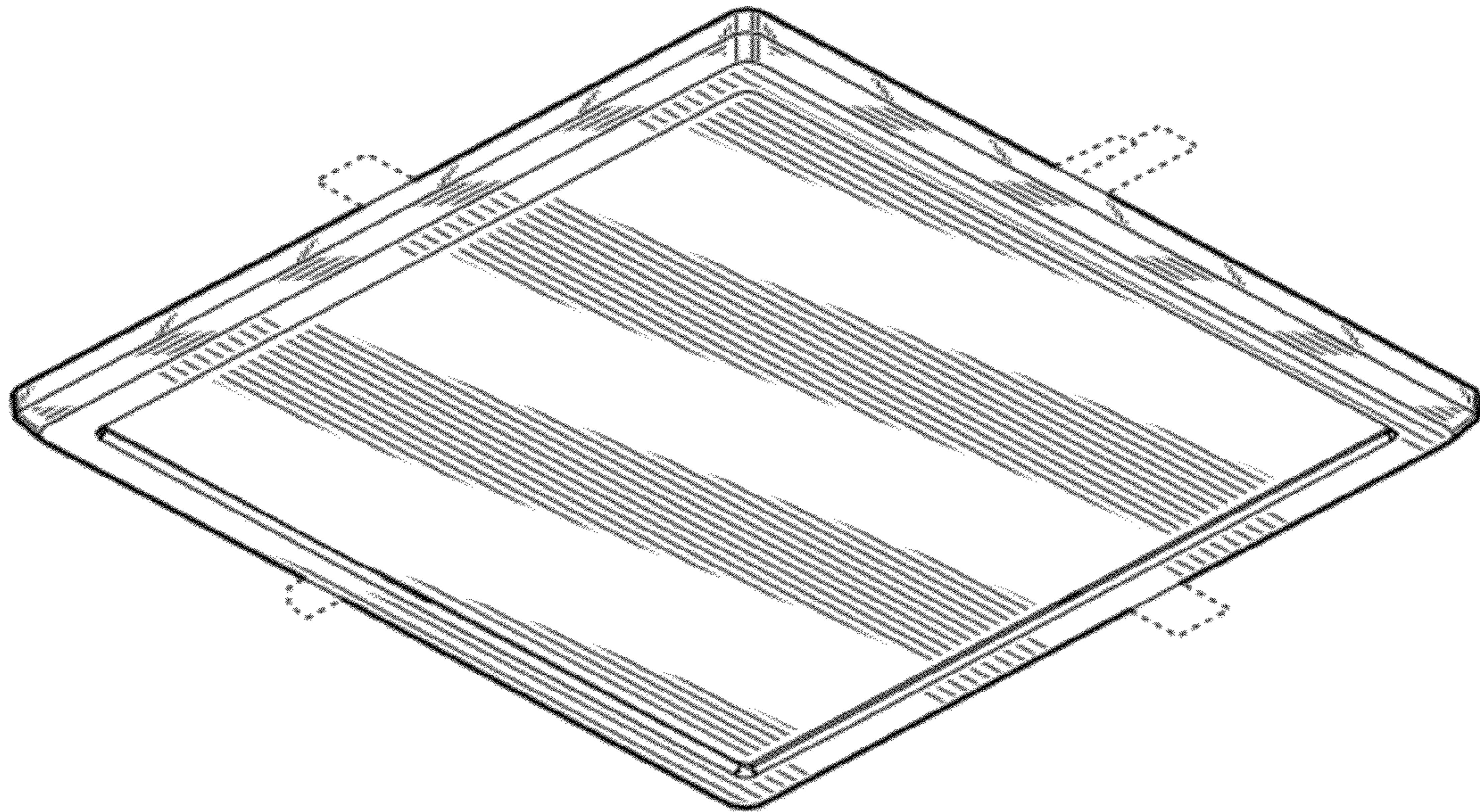
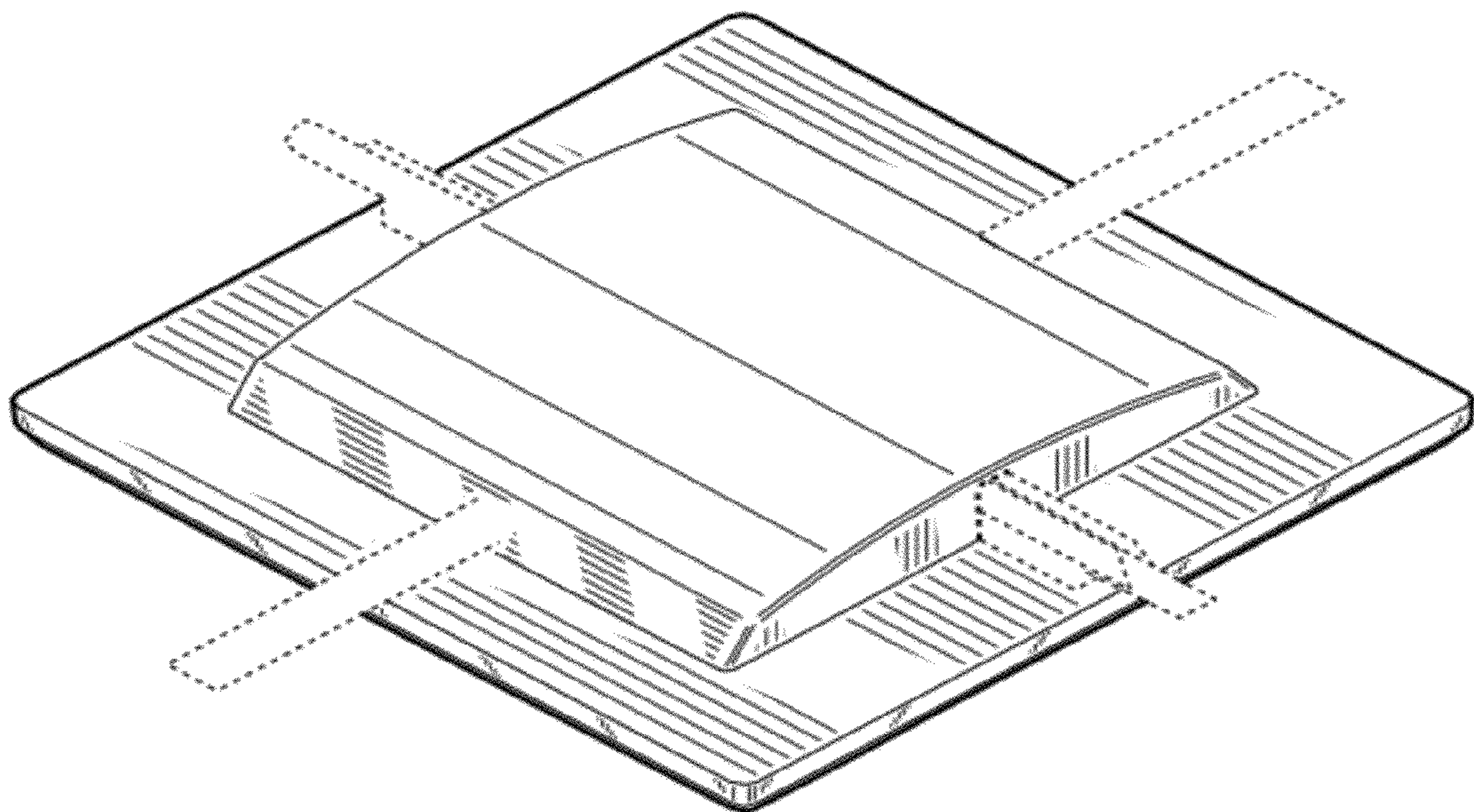


FIG. 1





**FIG. 2**

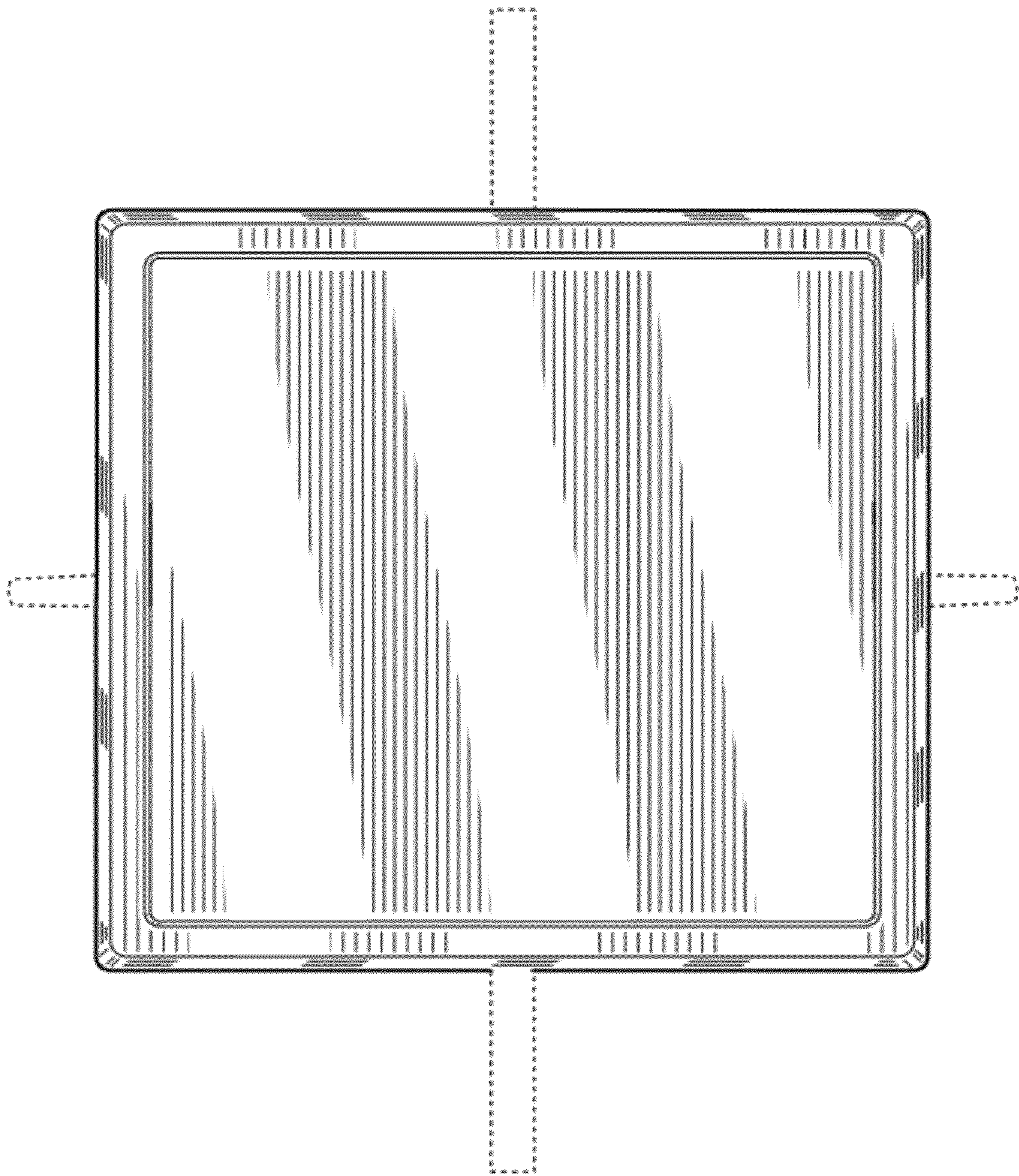


**FIG. 3**



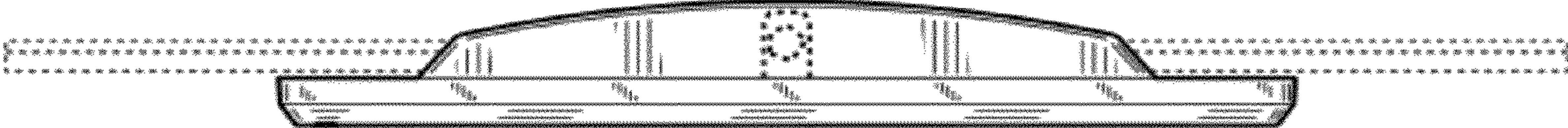


**FIG. 4**

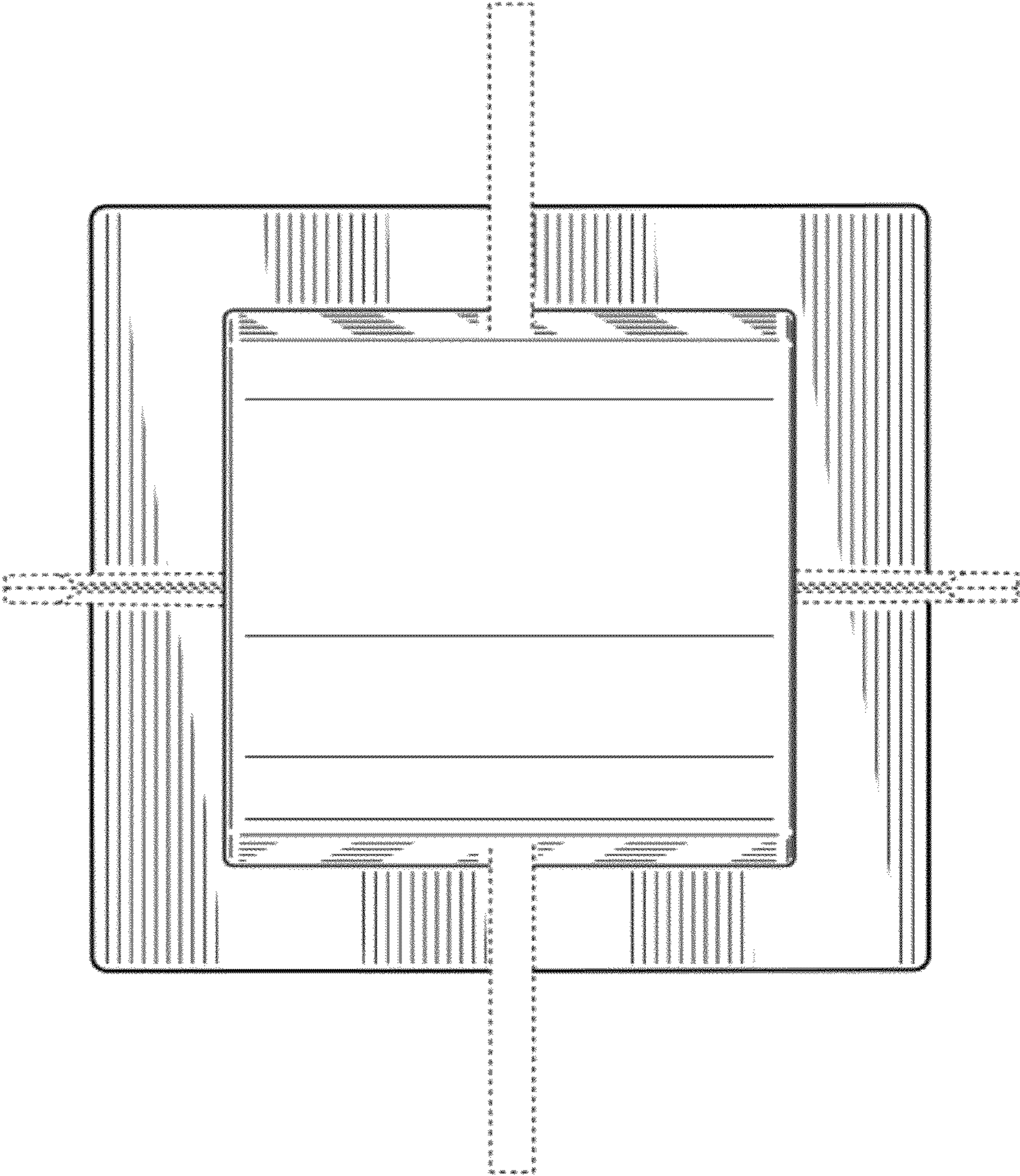


**FIG. 6**





**FIG. 5**



**FIG. 7**