



US00D675771S

(12) **United States Design Patent**
Yamada

(10) **Patent No.:** **US D675,771 S**
(45) **Date of Patent:** **** Feb. 5, 2013**

(54) **FLOODLIGHT**

(75) Inventor: **Hirokazu Yamada**, Kanagawa (JP)

(73) Assignee: **Toshiba Lighting & Technology Corporation**, Kanagawa (JP)

(**) Term: **14 Years**

(21) Appl. No.: **29/429,069**

(22) Filed: **Aug. 7, 2012**

(30) **Foreign Application Priority Data**

Feb. 27, 2012 (JP) 2012-004076

(51) **LOC (9) Cl.** **26-99**

(52) **U.S. Cl.** **D26/118**

(58) **Field of Classification Search** D26/118,
D26/124, 120, 122, 119, 128, 138, 145, 155,
D26/1, 2, 113, 121, 123, 72, 73, 74, 75, 76,
D26/77, 78, 79, 62, 64, 68, 69, 85, 86, 88,
D26/125, 129, 135, 136, 139, 140, 141, 142,
D26/143, 144, 152, 153, 148, 149, 150, 151,
D26/154, 156, 61, 54, 52, 24, 25, 26, 28,
D26/36, 35, 42, 45, 53, 55, 81, 82, 83, 84,
D26/60, 63, 87, 37; 362/294, 307, 249.01-249.12,
362/549, 345, 225, 364, 326, 362, 363, 147,
362/148, 149, 223, 224, 555, 556, 218, 331,
362/613, 620, 97.1-67.3; D13/179, 180
See application file for complete search history.

(56) **References Cited**

U.S. PATENT DOCUMENTS

D205,624 S * 8/1966 Pritchett D26/24
3,358,133 A * 12/1967 Hoxie et al. 362/282
D267,516 S * 1/1983 Rambusch et al. D26/72
D339,649 S * 9/1993 Klossner D26/63
D391,382 S * 2/1998 Rahn D26/63
D407,836 S * 4/1999 Leen D26/63
D411,025 S * 6/1999 Rahn D26/63
D439,355 S * 3/2001 Ford D26/63
D441,889 S * 5/2001 Austin D26/63

D465,050 S * 10/2002 Crelin D26/85
7,152,997 B1 * 12/2006 Kovacik et al. 362/249.05
D535,774 S * 1/2007 Weston et al. D26/72
D572,396 S * 7/2008 Guercio D26/63
D580,577 S * 11/2008 Wang et al. D26/63
D591,893 S * 5/2009 Waldmann D26/74
D597,693 S * 8/2009 Kauffman et al. D26/63
7,575,336 B2 * 8/2009 Yoshida et al. 362/147
7,780,318 B2 * 8/2010 Xiao et al. 362/371
7,789,539 B2 * 9/2010 Kauffman et al. 362/346
D634,878 S * 3/2011 Guercio et al. D26/85
D645,184 S * 9/2011 Zhan D26/63
D650,109 S * 12/2011 Maxik et al. D26/63
D650,505 S * 12/2011 Oka D26/63
D650,935 S * 12/2011 Beghelli D26/63
D659,867 S * 5/2012 Zhan D26/37
D666,345 S * 8/2012 Wang D26/63
2010/0014289 A1 * 1/2010 Thomas et al. 362/235

FOREIGN PATENT DOCUMENTS

JP D1381574 3/2010

* cited by examiner

Primary Examiner — Kevin Rudzinski

(74) *Attorney, Agent, or Firm* — J.C. Patents

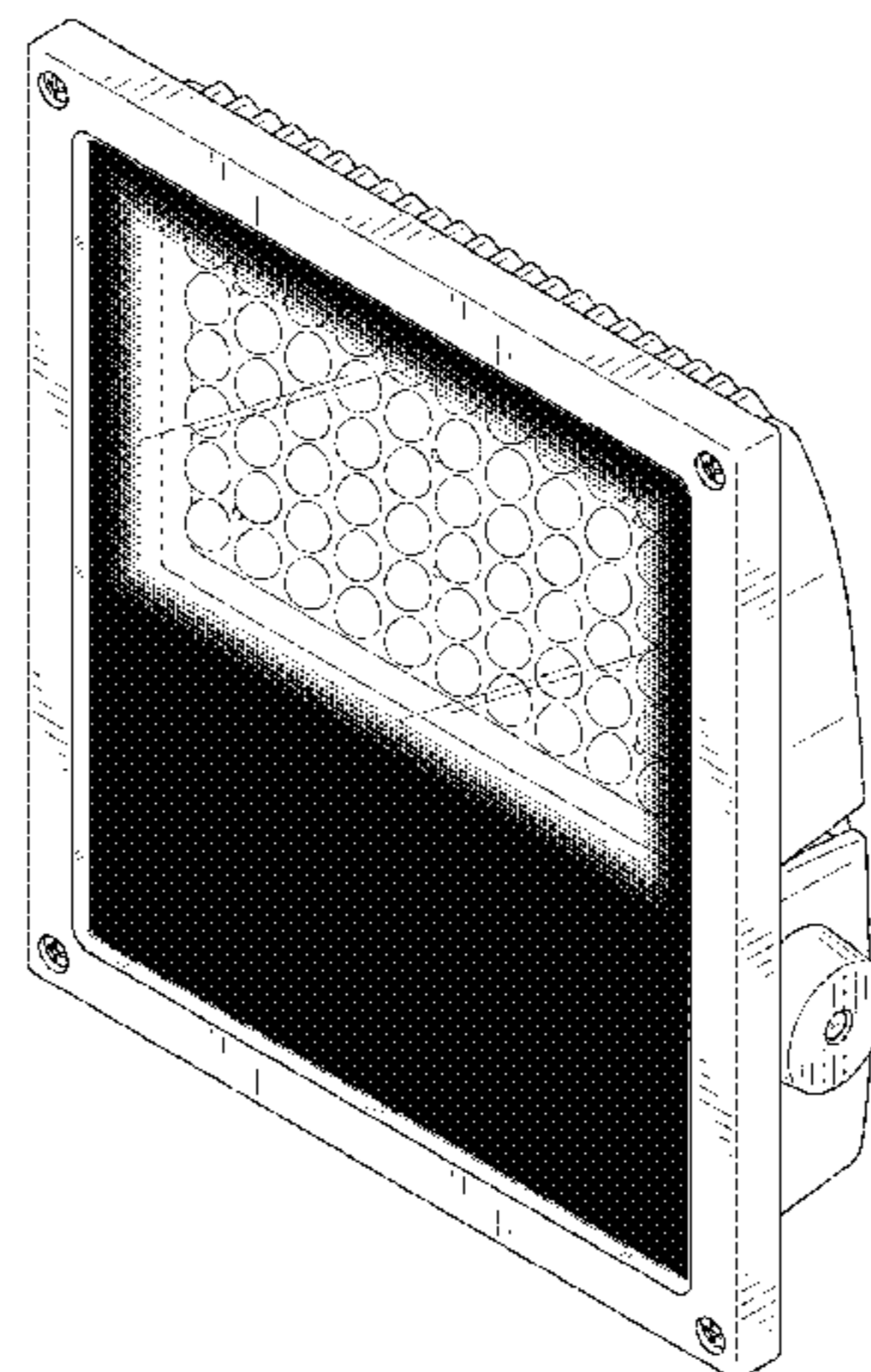
(57) **CLAIM**

The ornamental design for a floodlight, as shown and described.

DESCRIPTION

FIG. 1 is a front perspective view of a floodlight showing my new design;
FIG. 2 is a rear perspective view thereof;
FIG. 3 is a front view thereof;
FIG. 4 is a rear view thereof;
FIG. 5 is a right side view thereof, the left side view being a mirror image of the right side view;
FIG. 6 is a top view thereof; and,
FIG. 7 is a bottom view thereof.
There is a printing layer on the surface of the central rectangular part in FIGS. 1 and 3.

1 Claim, 7 Drawing Sheets



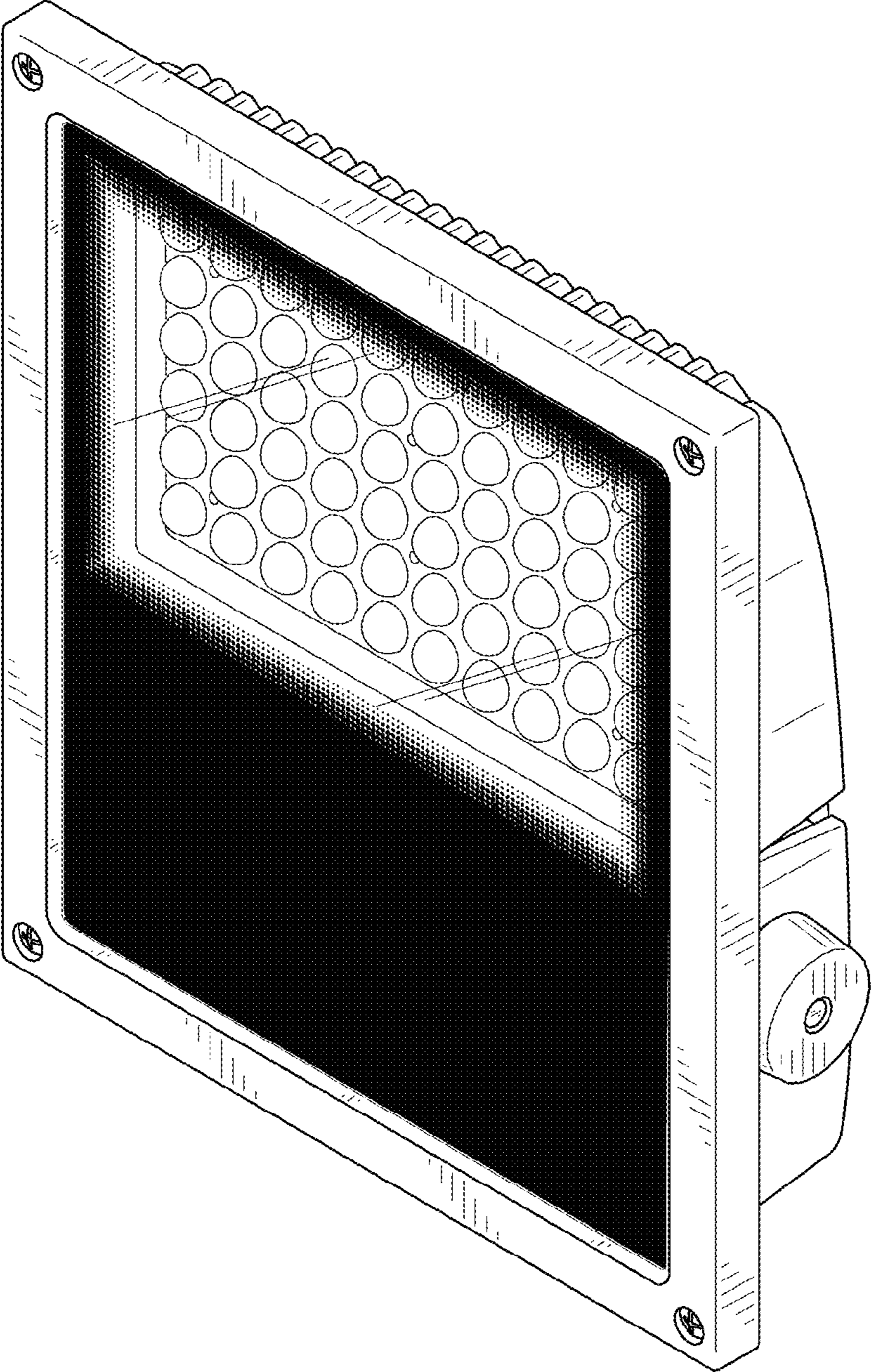


FIG. 1

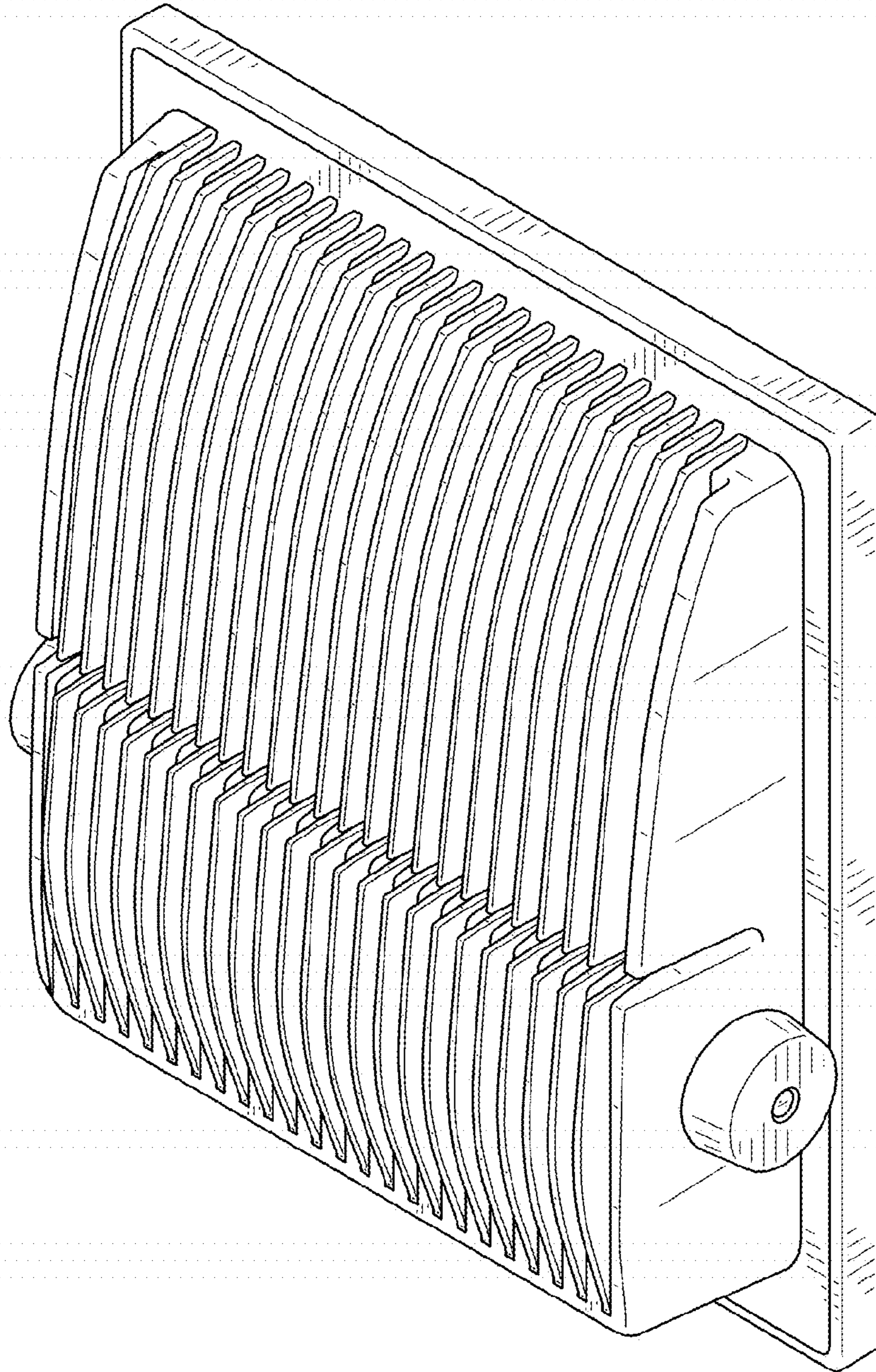


FIG. 2

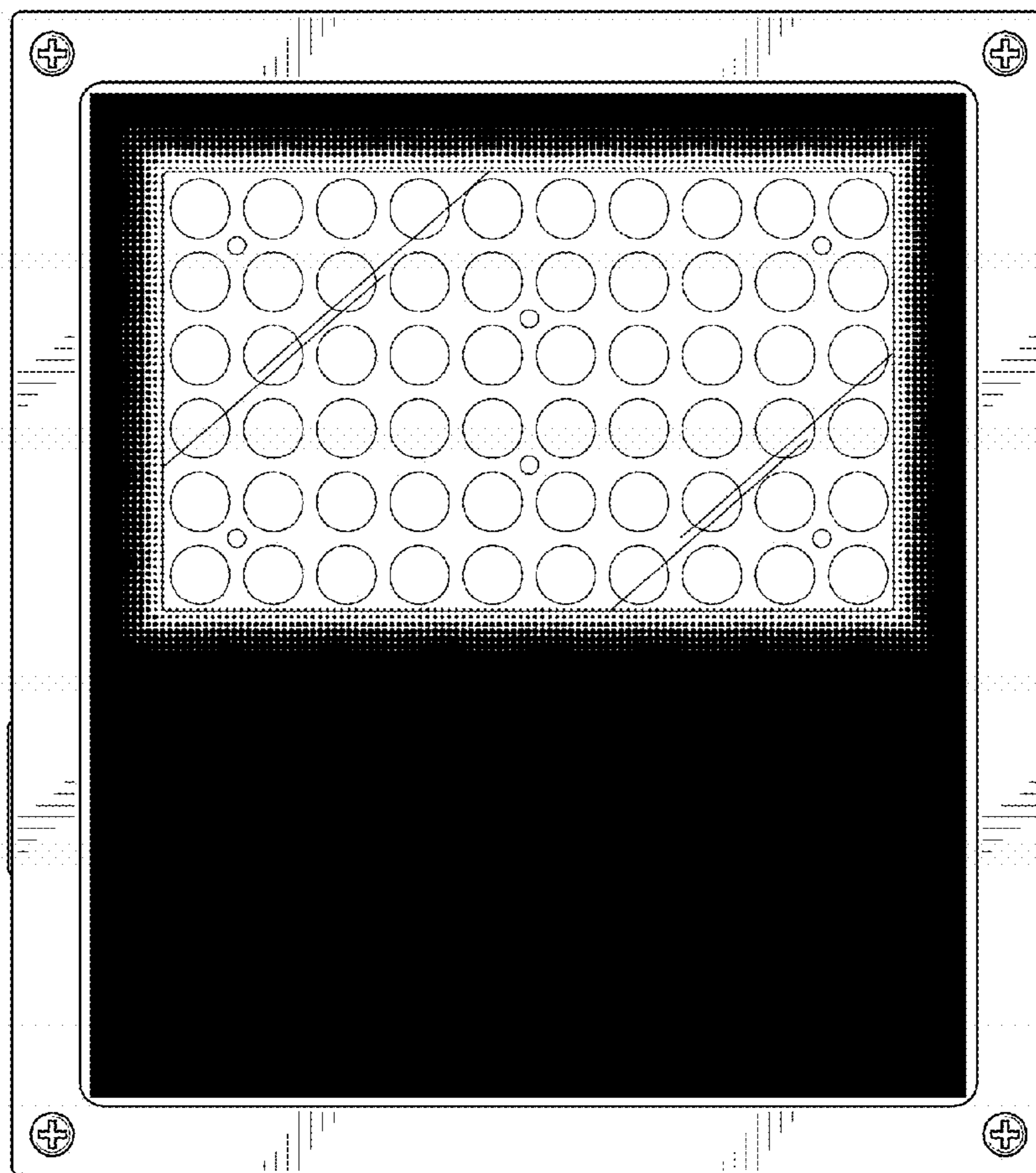


FIG. 3

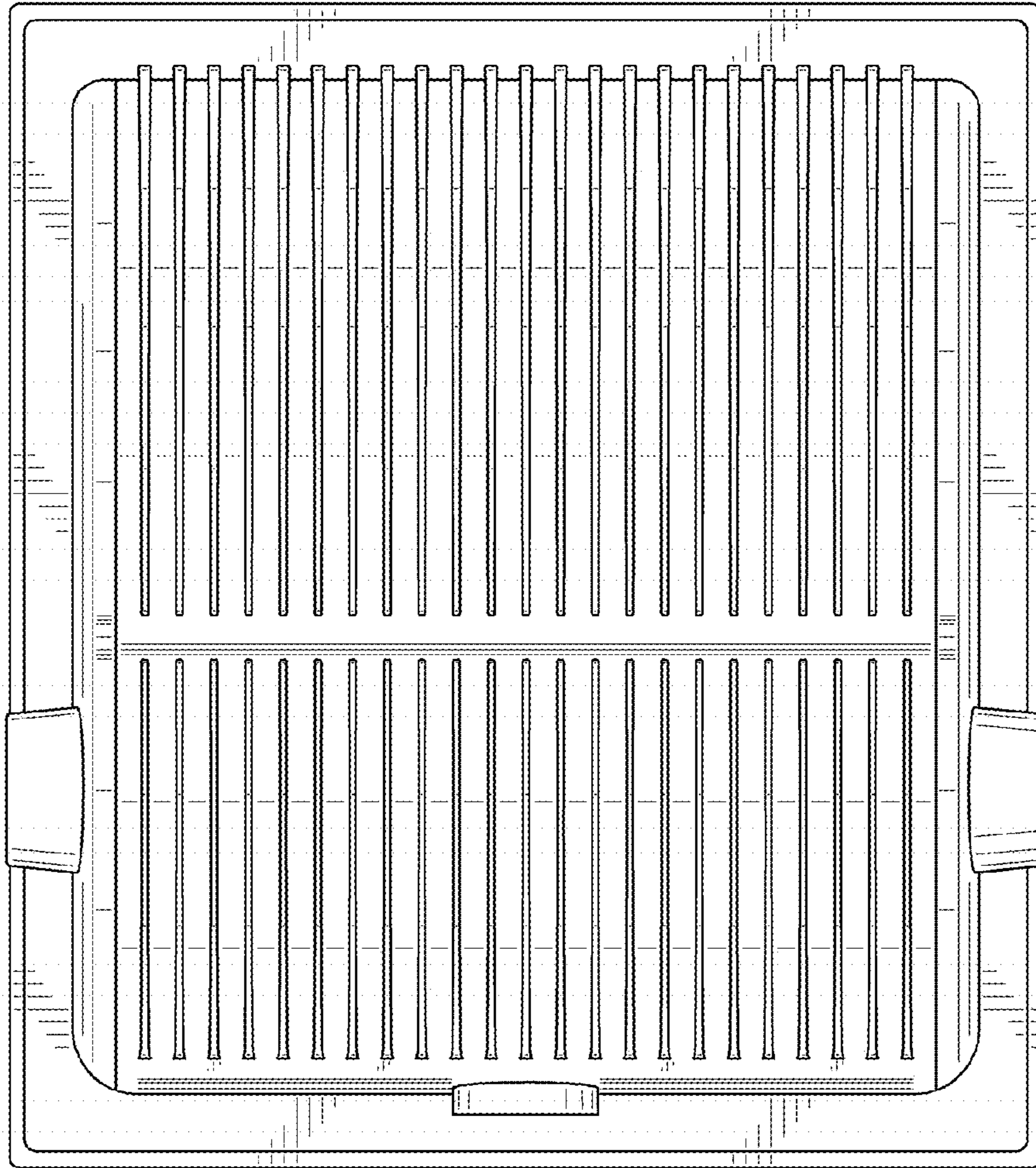


FIG. 4

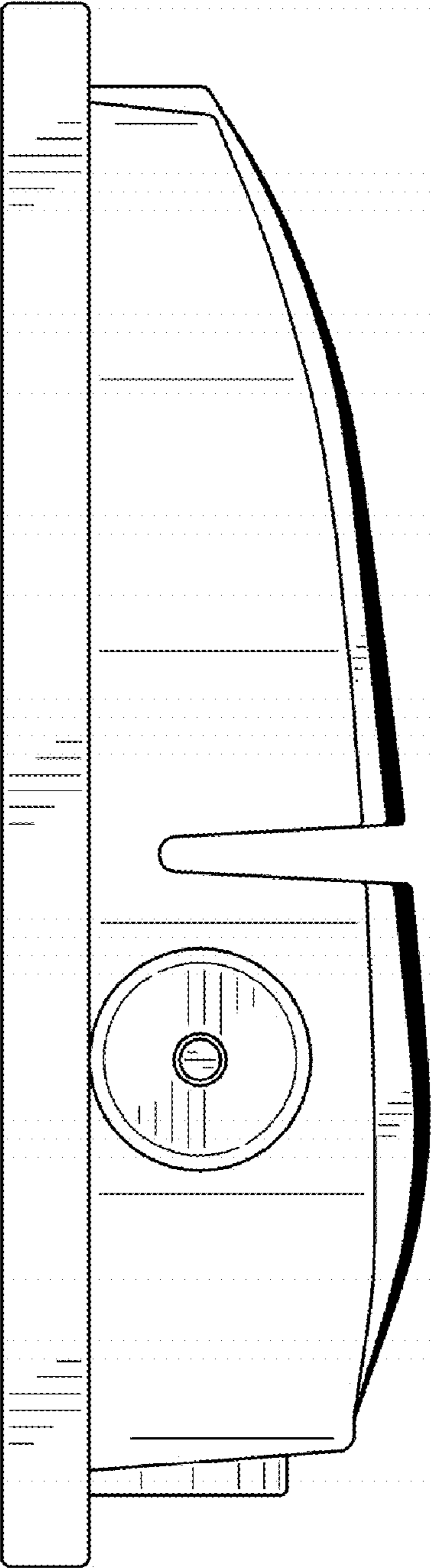


FIG. 5

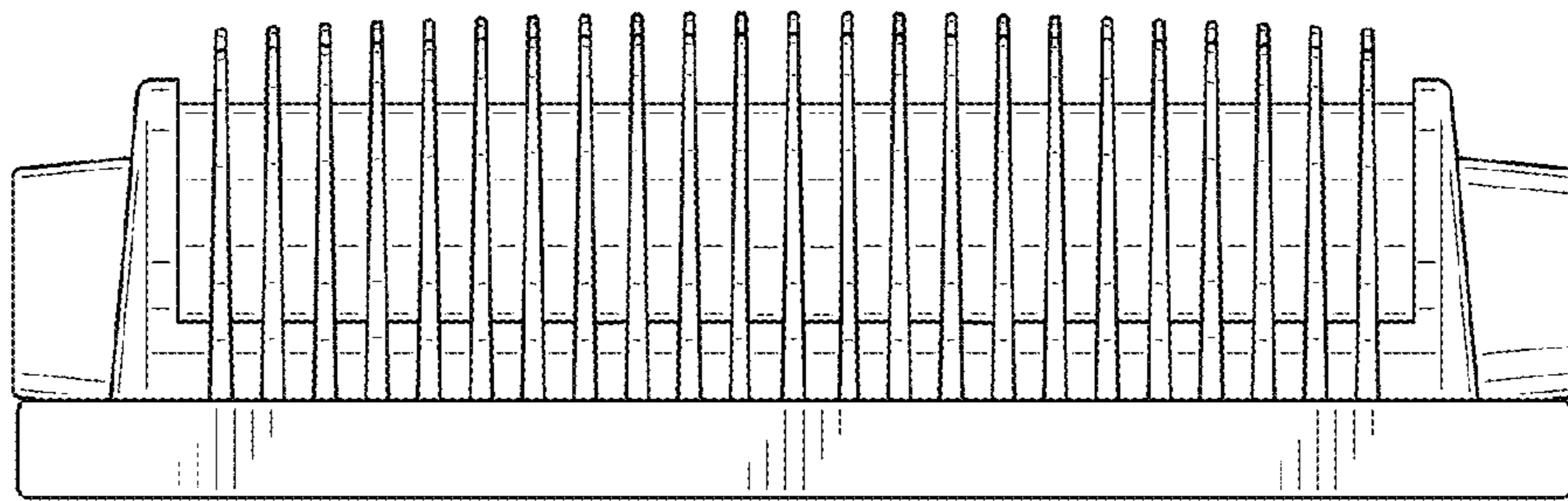


FIG. 6

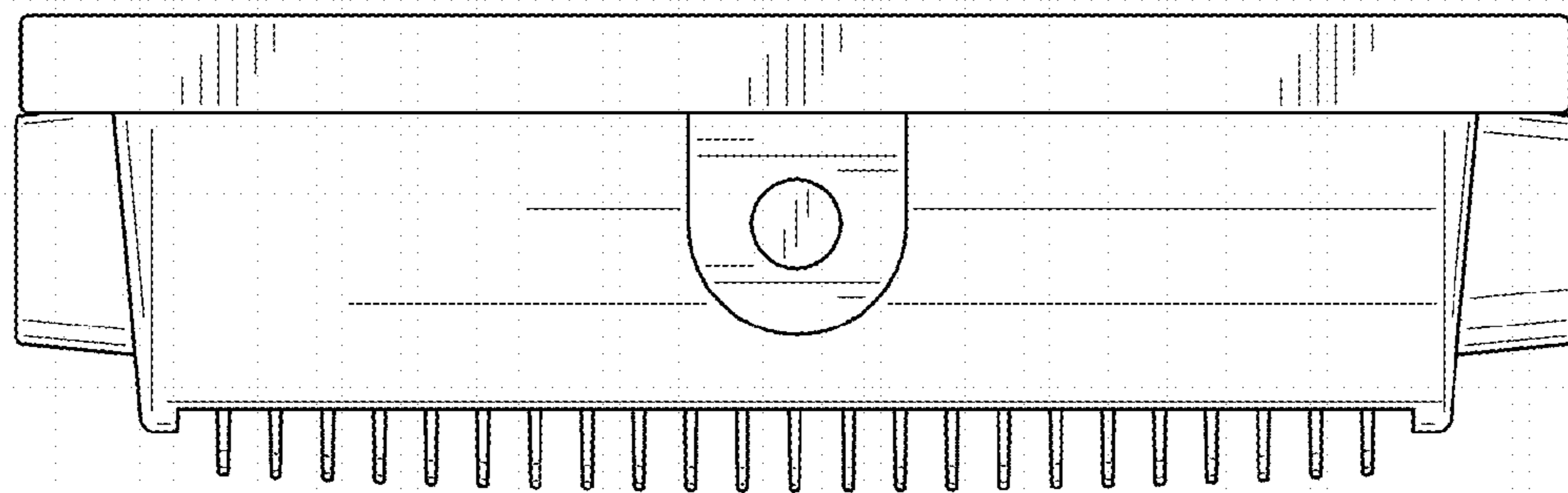


FIG. 7