



US00D675770S

(12) **United States Design Patent**
Chen

(10) **Patent No.:** **US D675,770 S**
(45) **Date of Patent:** **** Feb. 5, 2013**

(54) **ROTARY APPARATUS FOR SOLAR LIGHT**

(76) Inventor: **Junhua Chen, Yiwu (CN)**

(**) Term: **14 Years**

(21) Appl. No.: **29/414,742**

(22) Filed: **Mar. 2, 2012**

(30) **Foreign Application Priority Data**

Sep. 22, 2011 (CN) 2011 3 0341628

(51) **LOC (9) Cl.** **26-99**

(52) **U.S. Cl.** **D26/113**

(58) **Field of Classification Search** D26/1,
D26/2, 118, 113, 138, 119, 120, 121, 122,
D26/76, 77, 75, 78, 85, 86, 89, 90, 62, 64,
D26/65, 66, 63, 73, 72, 74, 68, 71, 28, 123,
D26/124, 127, 128, 129, 134, 135, 132, 139,
D26/154, 155, 152, 149, 148, 145, 143, 142,
D26/140, 141, 153, 144, 91, 92, 29, 24, 25,
D26/26, 8, 114, 37, 87; 362/202, 347, 349,
362/362, 419, 96, 192, 145, 294, 326, 267,
362/373, 249.01–249.12; D13/102, 179,
D13/180

See application file for complete search history.

(56) **References Cited**

U.S. PATENT DOCUMENTS

1,632,850	A *	6/1927	Raymond	362/255
D225,260	S *	11/1972	Morris	D26/62
D309,953	S *	8/1990	Chien	D26/67
D353,014	S *	11/1994	Elazari	D26/68
5,947,582	A *	9/1999	Huang	362/122
D443,376	S *	6/2001	Lindsay	D26/68
D494,536	S *	8/2004	Pu	D13/102
D511,018	S *	10/2005	Sooferian	D26/67
D531,748	S *	11/2006	Sanoner	D26/68
D533,153	S *	12/2006	Nakata	D14/126

7,311,414	B2 *	12/2007	Norton et al.	362/122
D574,988	S *	8/2008	Cheng et al.	D26/63
D597,698	S *	8/2009	Lee	D26/68
D608,924	S *	1/2010	Snyder et al.	D26/51
D610,536	S *	2/2010	Brumels	D13/102
D615,688	S *	5/2010	Chen	D26/68
D626,959	S *	11/2010	Chiu	D14/371
7,891,832	B2 *	2/2011	Allsop et al.	362/153.1
7,988,320	B2 *	8/2011	Brumels	362/192
D647,234	S *	10/2011	Izardel	D26/65
D656,652	S *	3/2012	Rosenlof et al.	D26/71
2005/0103378	A1 *	5/2005	Pu et al.	136/291
2006/0227542	A1 *	10/2006	Richmond	362/183
2007/0002561	A1 *	1/2007	Tesmer et al.	362/183
2007/0159836	A1 *	7/2007	Huang et al.	362/431
2008/0247155	A1 *	10/2008	Allsop et al.	362/145

* cited by examiner

Primary Examiner — Kevin Rudzinski

(74) *Attorney, Agent, or Firm* — Hamre, Schumann, Mueller & Larson, P.C.

(57) **CLAIM**

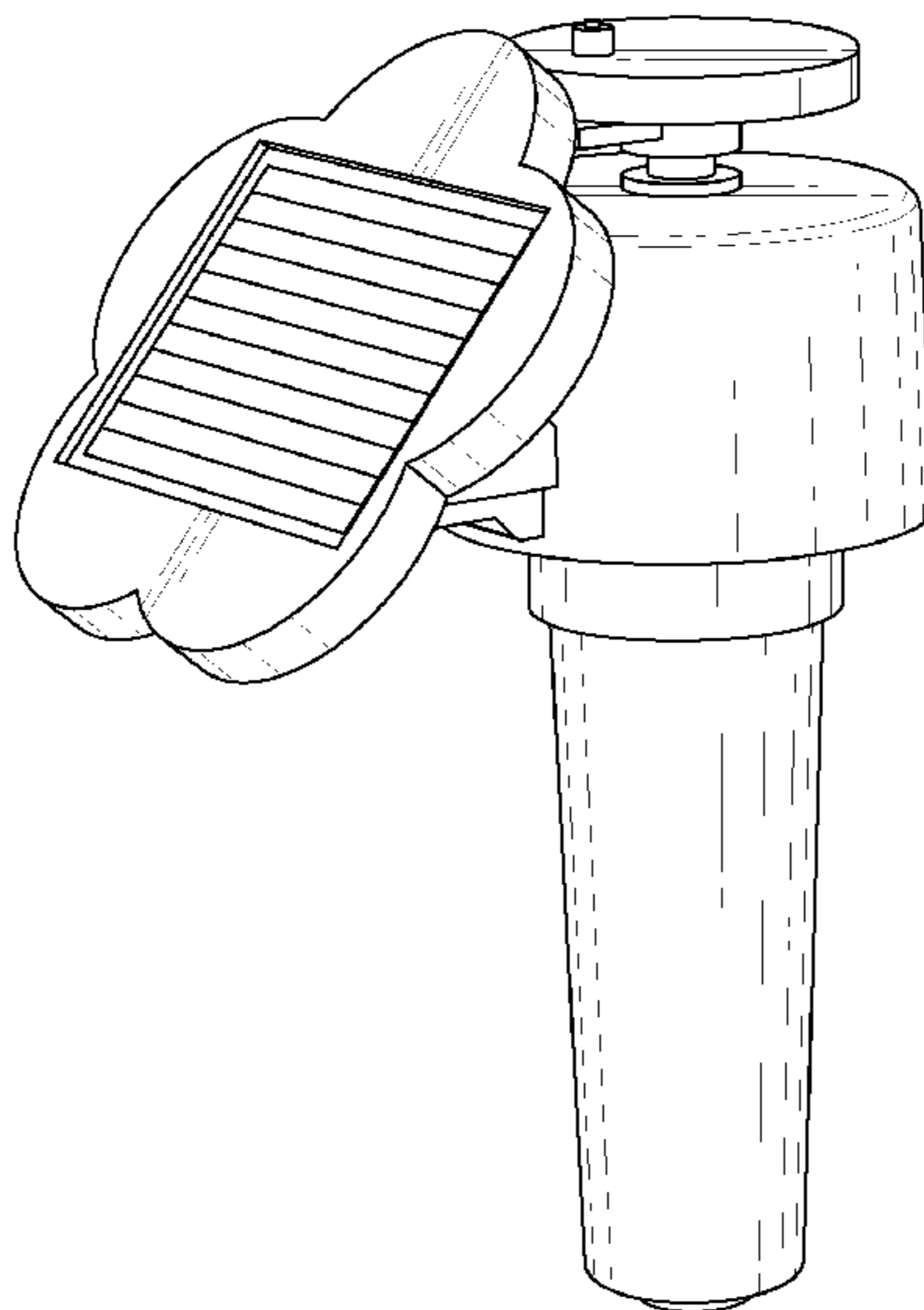
The ornamental design for a rotary apparatus for solar light, as shown and described.

DESCRIPTION

FIG. 1 is a perspective view of the rotary apparatus showing my new design; and
FIG. 2 is a front view thereof;
FIG. 3 is a rear view thereof;
FIG. 4 is a left side view thereof;
FIG. 5 is a right side view thereof;
FIG. 6 is a top plan view thereof;
FIG. 7 is a bottom plan view thereof; and,
FIG. 8 is another perspective view thereof, shown in a position of use.

The broken lines shown in FIG. 8 illustrating environmental structures form no part of the claimed design.

1 Claim, 8 Drawing Sheets



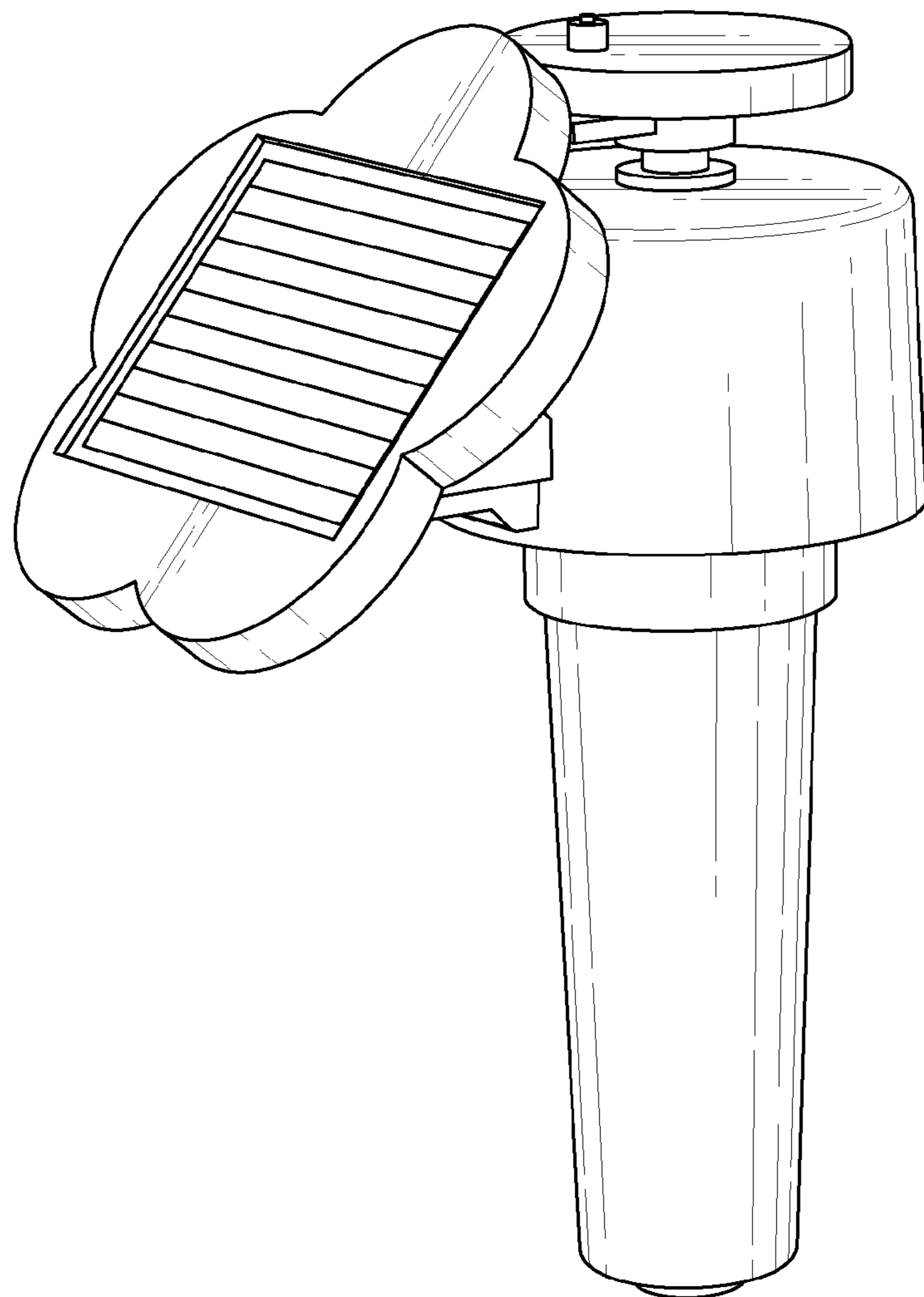


Fig. 1

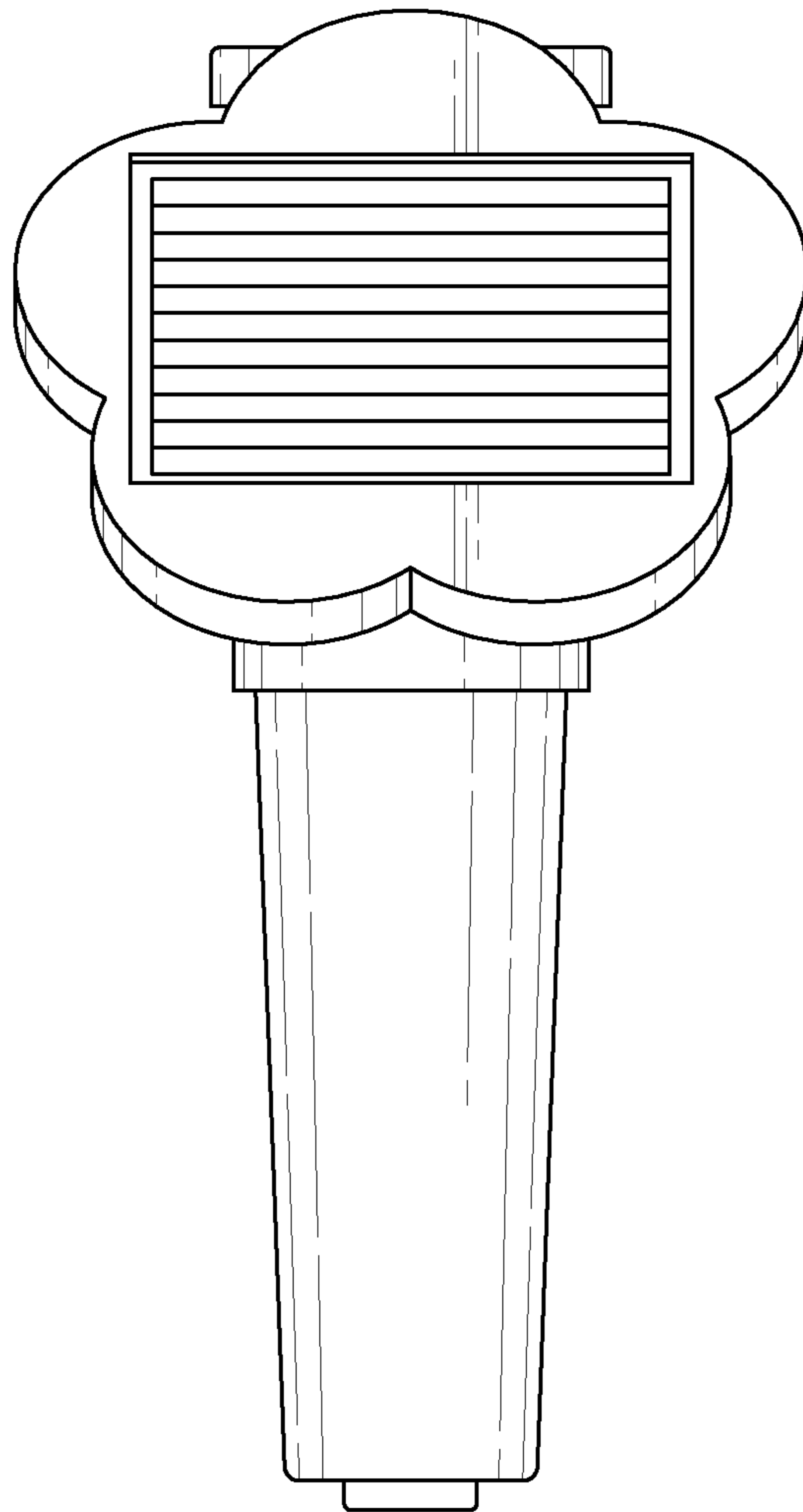


Fig. 2

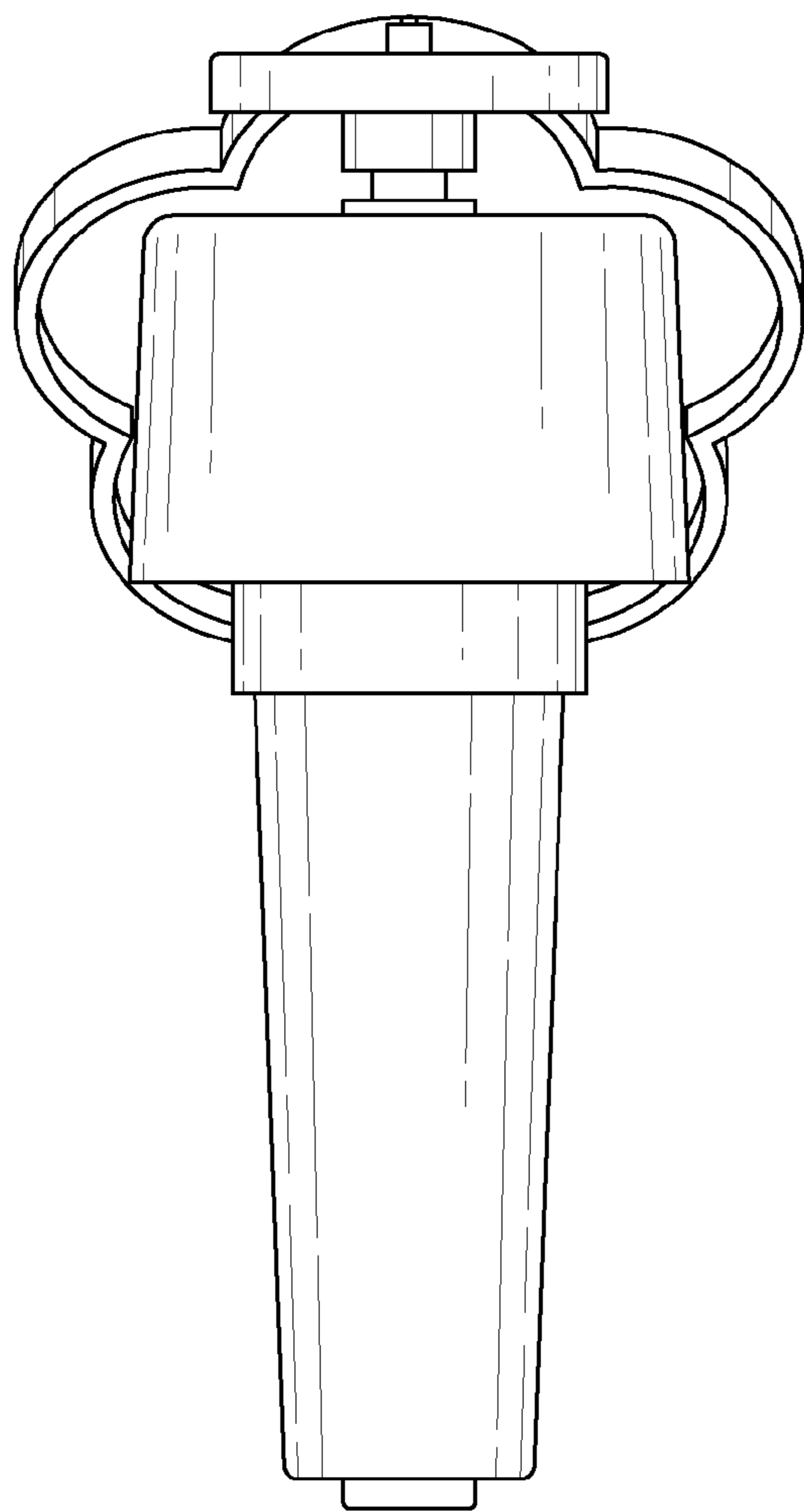


Fig. 3

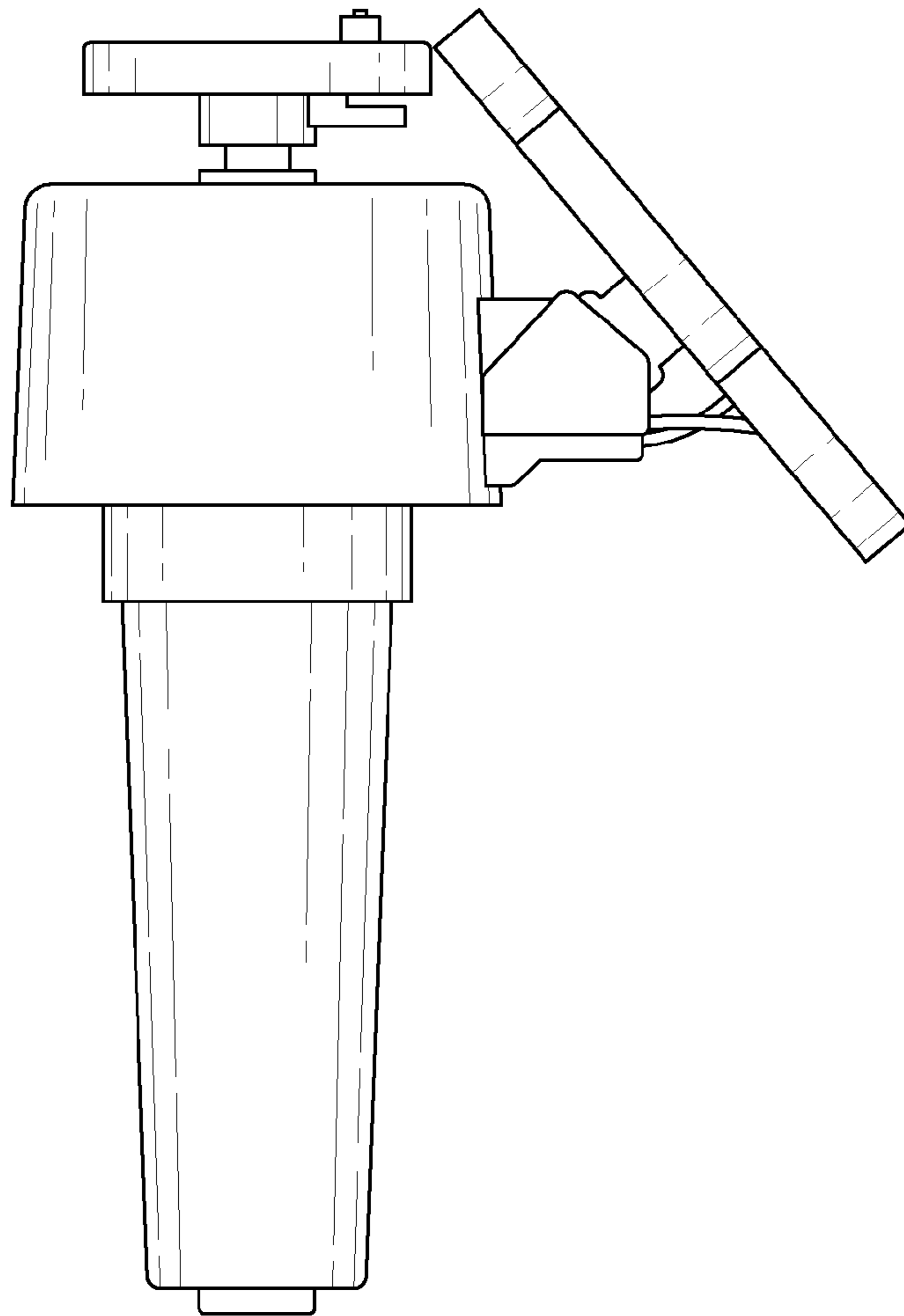


Fig. 4

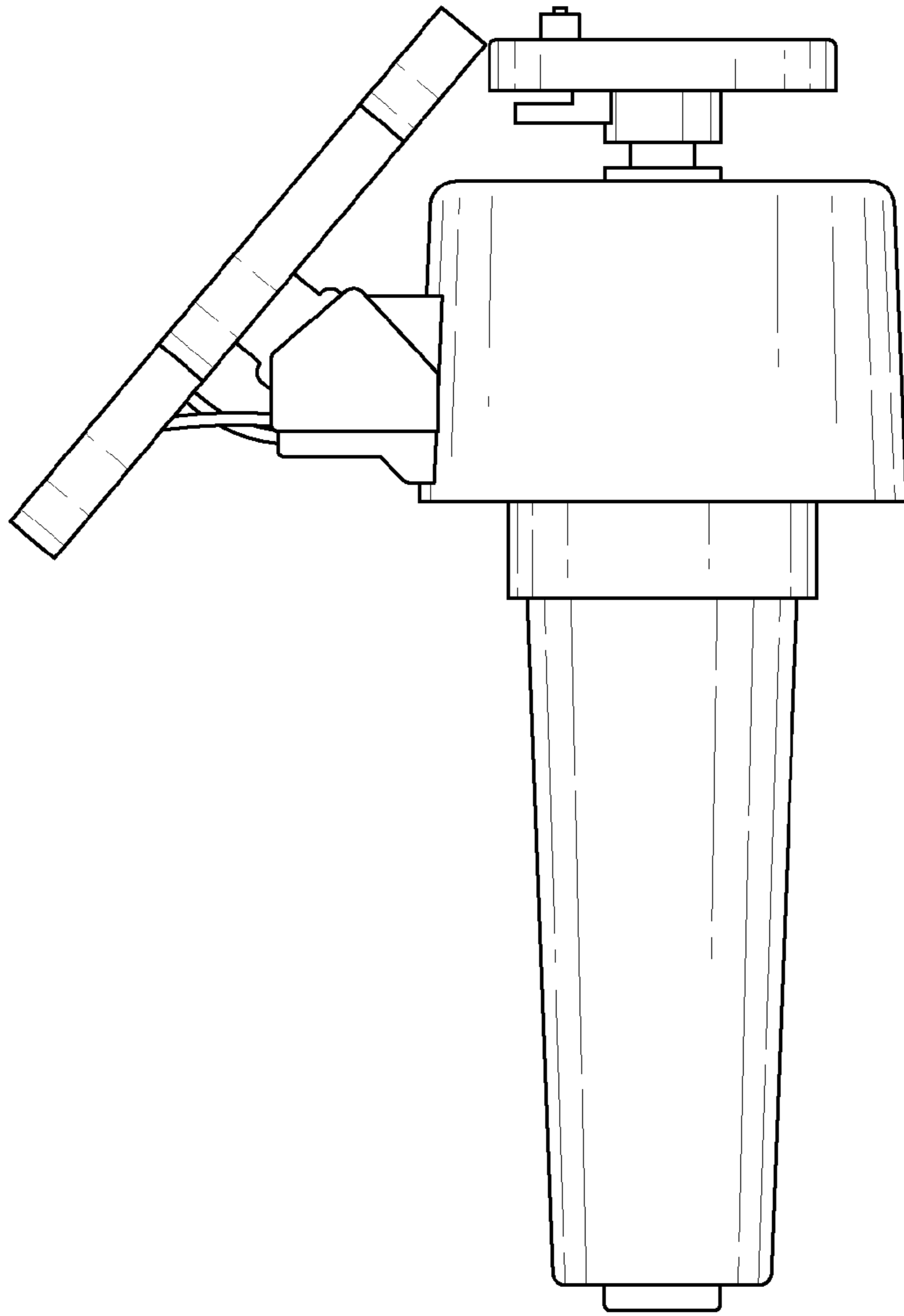


Fig. 5

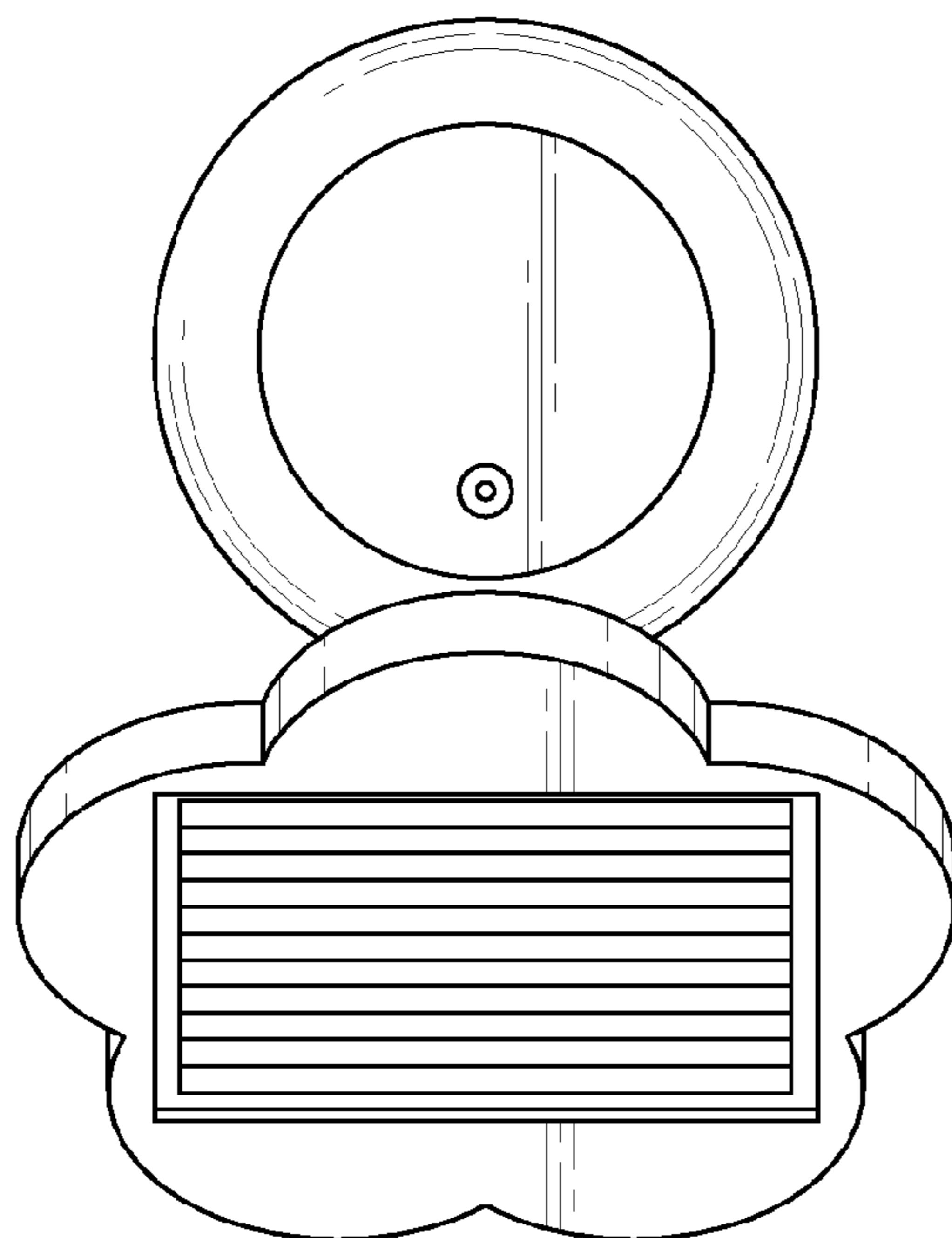


Fig. 6

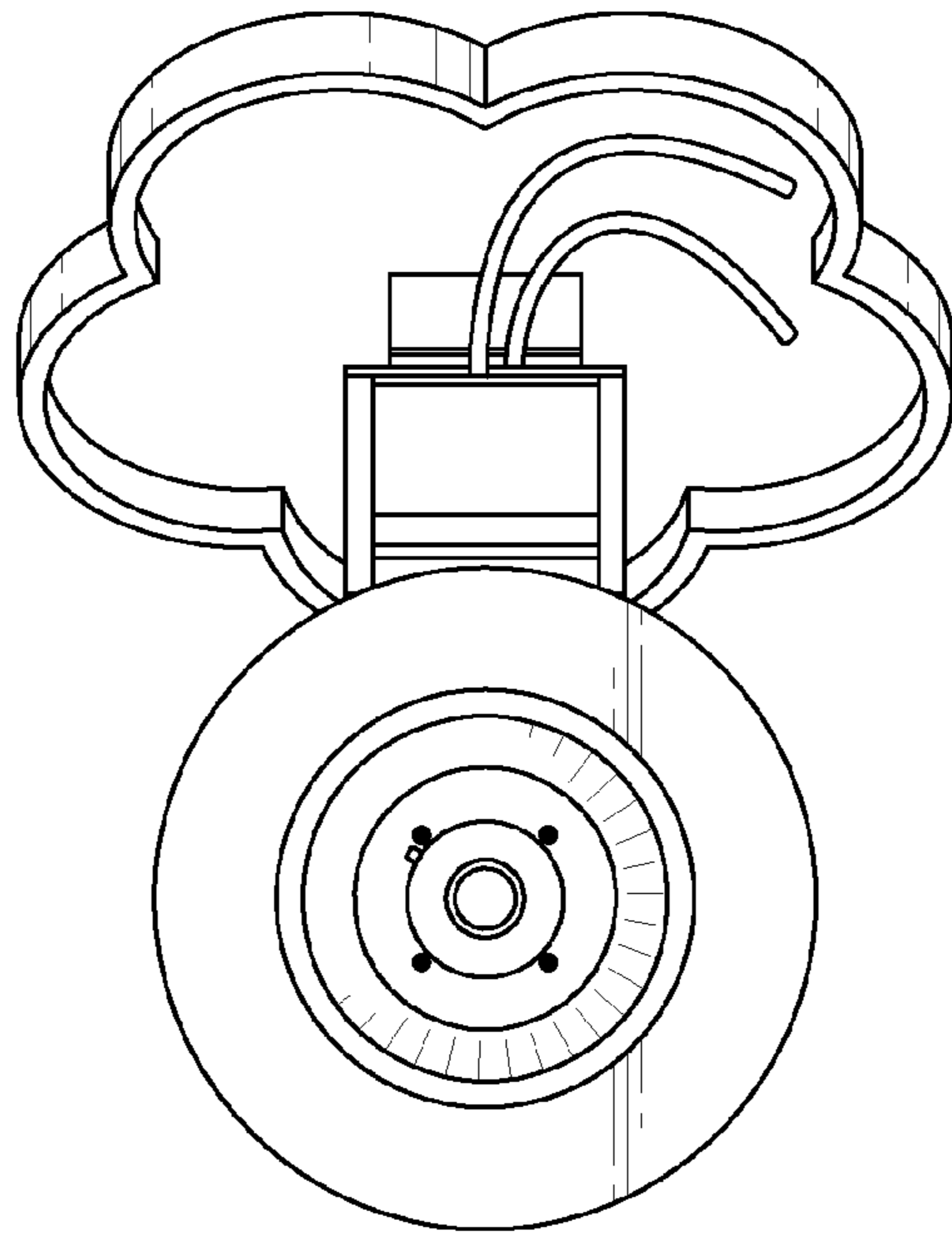


Fig. 7

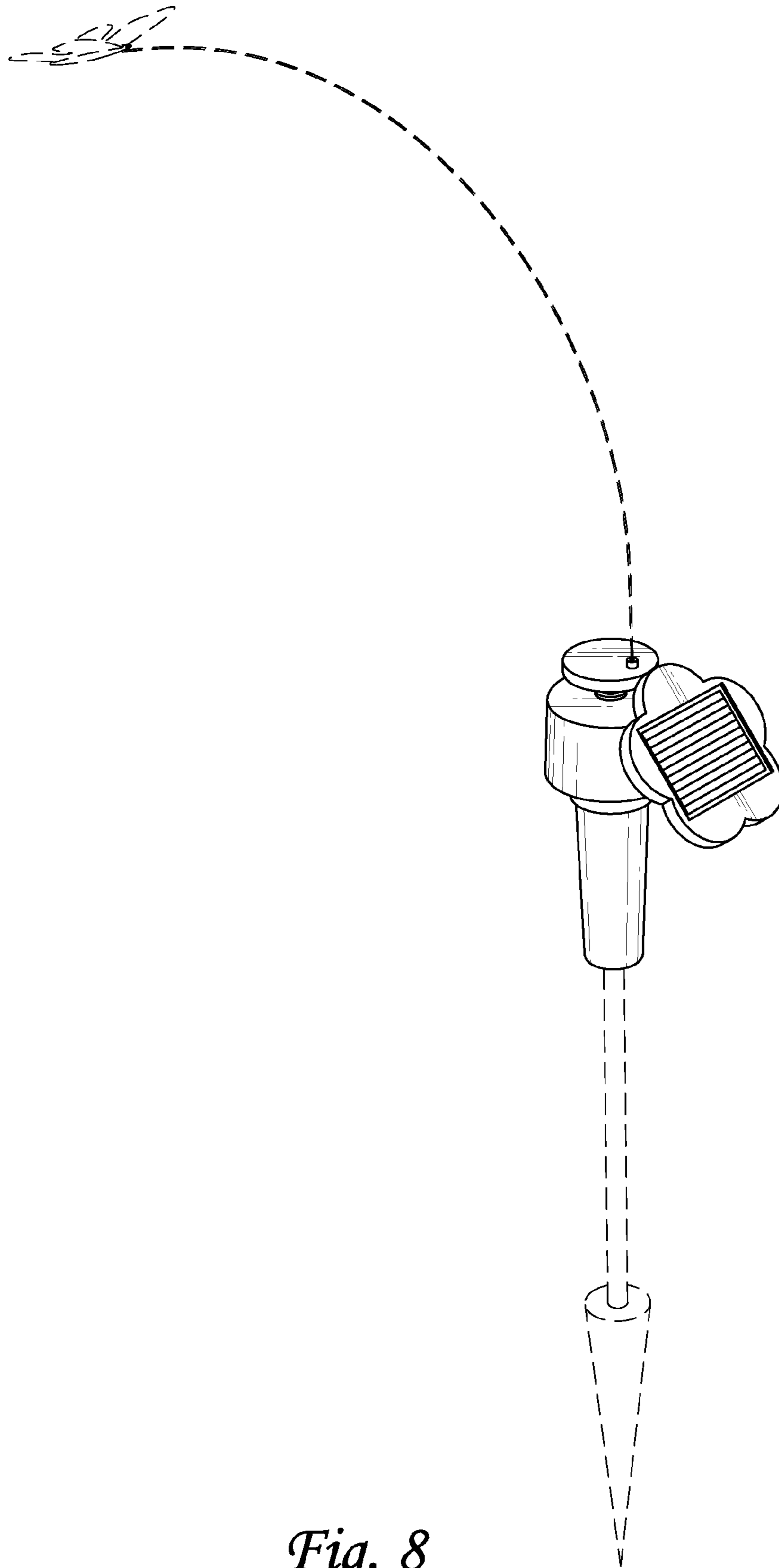


Fig. 8