



US00D675768S

(12) **United States Design Patent**
Jurdana et al.

(10) **Patent No.:** **US D675,768 S**

(45) **Date of Patent:** **** Feb. 5, 2013**

(54) **LUMINAIRE FOR ROAD LIGHTING**

(75) Inventors: **Sergio Fabian Jurdana**, Blainville (CA); **Alexandre Plomteux**, Montreal (CA); **Cedric Stevenin**, Montreal (CA); **Martin Mercier**, Rosemere (CA); **Michel Fortin**, Sainte-Marthe sur le lac (CA); **Etienne Charest**, Lorraine (CA); **Pierre Martineau**, Laval (CA)

(73) Assignee: **Koninklijke Philips Electronics N.V.**, Eindhoven (NL)

(**) Term: **14 Years**

(21) Appl. No.: **29/413,193**

(22) Filed: **Feb. 13, 2012**

(51) **LOC (9) Cl.** **26-05**

(52) **U.S. Cl.** **D26/71**

(58) **Field of Classification Search** D26/61,
D26/63, 65, 67-71, 85, 92; 362/249.01-249.06,
362/294, 373, 431

See application file for complete search history.

(56) **References Cited**

U.S. PATENT DOCUMENTS

D195,583 S * 7/1963 Phillips D26/71
D208,491 S * 9/1967 Brooks, Jr. D26/71

D209,081 S * 10/1967 Netland D26/71
D577,455 S * 9/2008 Zheng et al. D26/71
D601,292 S * 9/2009 Yan et al. D26/71
D615,235 S * 5/2010 Zheng D26/71
D616,592 S * 5/2010 Chen D26/71
D637,336 S * 5/2011 Van Klinken et al. D26/71
D645,190 S * 9/2011 Van Klinken et al. D26/71
D648,473 S * 11/2011 Lin et al. D26/71
D650,110 S * 12/2011 Zhu D26/71
D653,374 S * 1/2012 Ham D26/71
D663,462 S * 7/2012 Butler et al. D26/71

* cited by examiner

Primary Examiner — Clare E Heflin

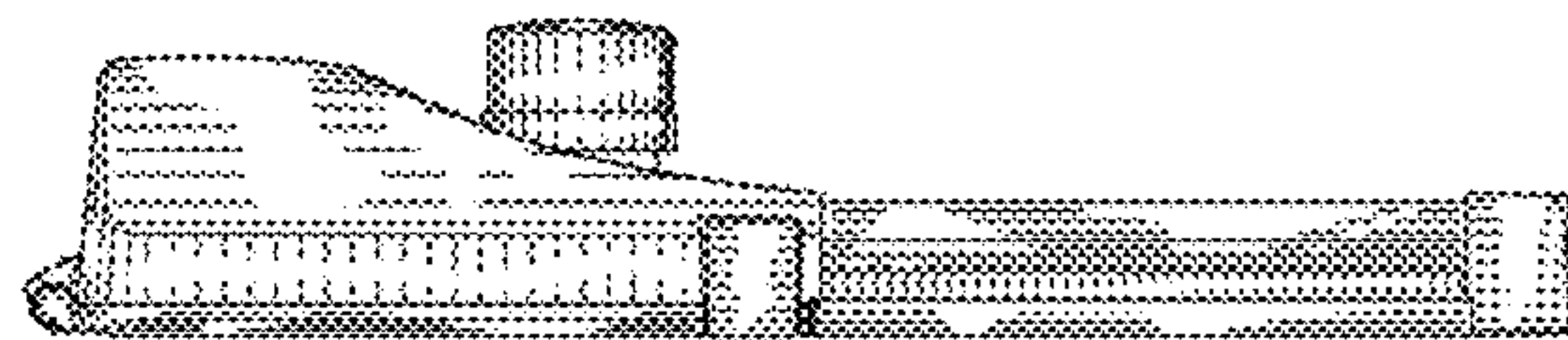
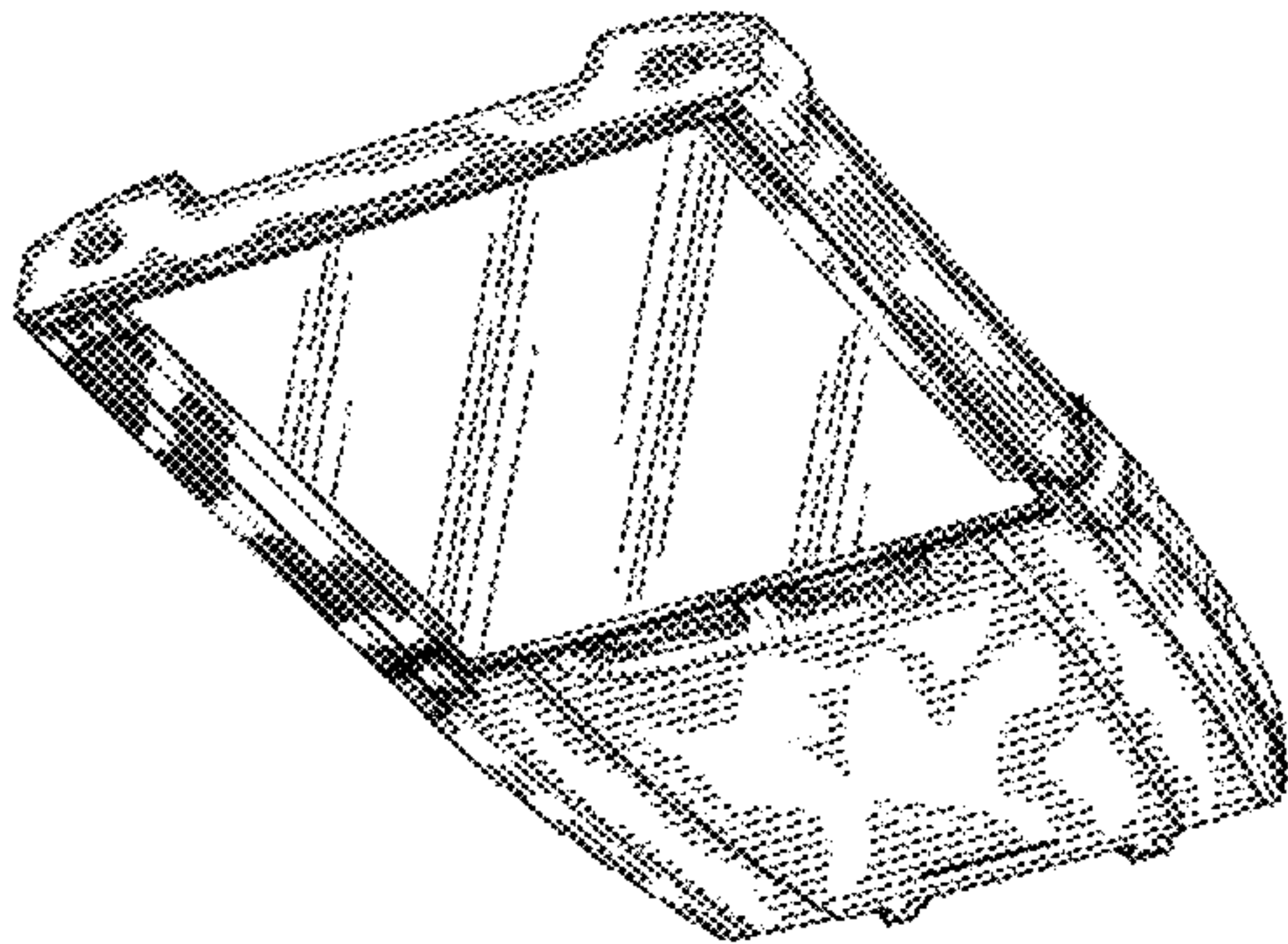
(57) **CLAIM**

The ornamental design for a luminaire for road lighting, as shown and described.

DESCRIPTION

FIG. 1 is a perspective view showing my design;
FIG. 2 is a front elevational view thereof;
FIG. 3 is a rear elevational view thereof;
FIG. 4 is a right side elevational view thereof;
FIG. 5 is a left side elevational view thereof;
FIG. 6 is a top plan view thereof; and,
FIG. 7 is a bottom plan view thereof.
The broken lines shown on the drawings depict portions of the luminaire that form no part of the claimed design.

1 Claim, 5 Drawing Sheets



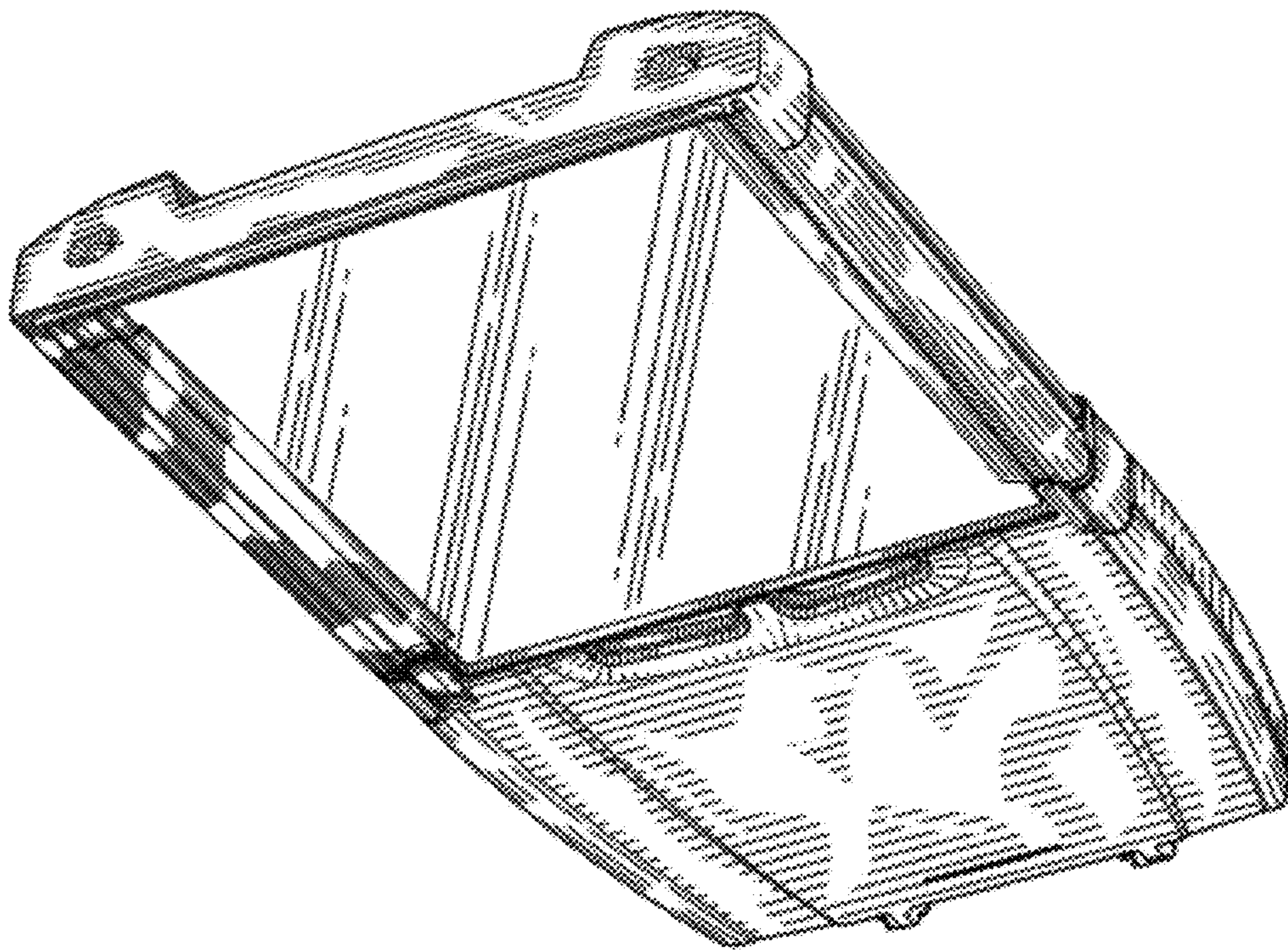


FIG.1

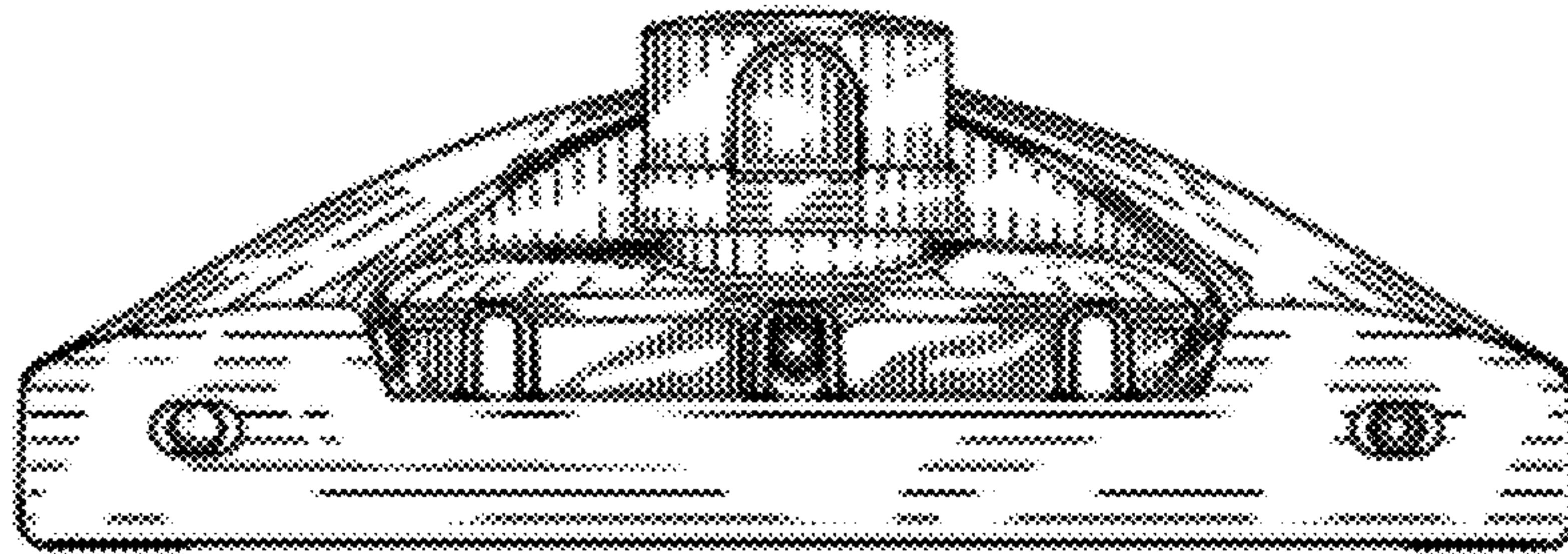


FIG. 2

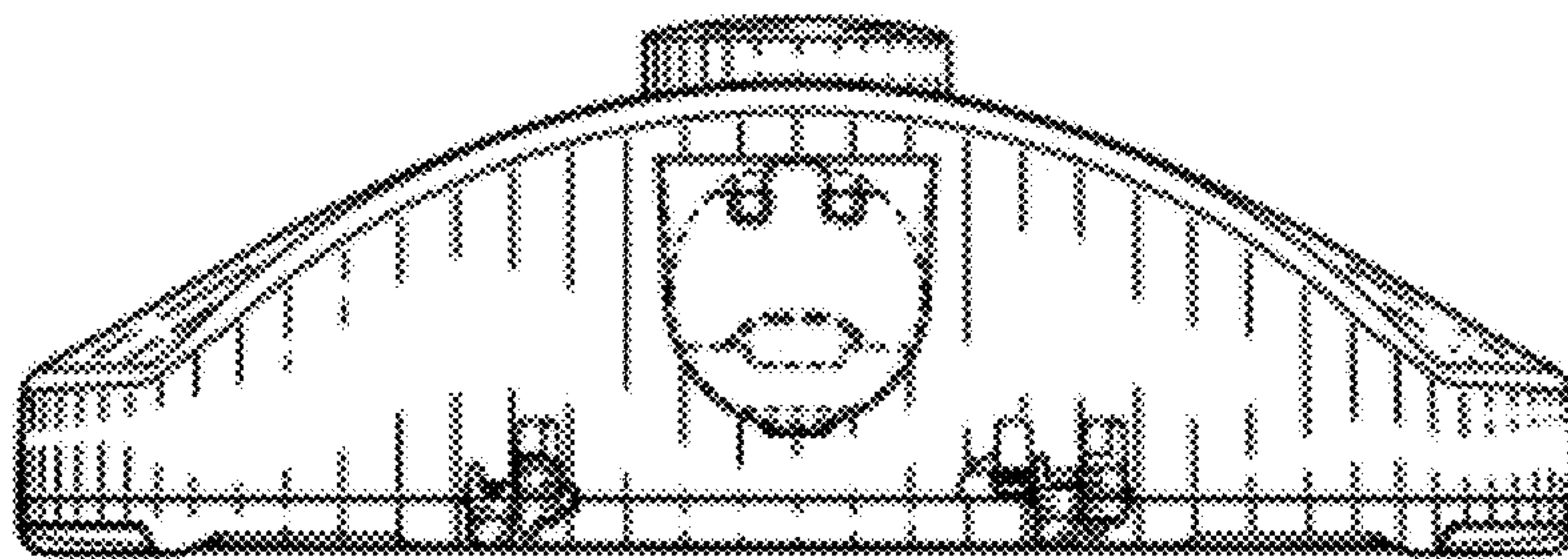


FIG. 3

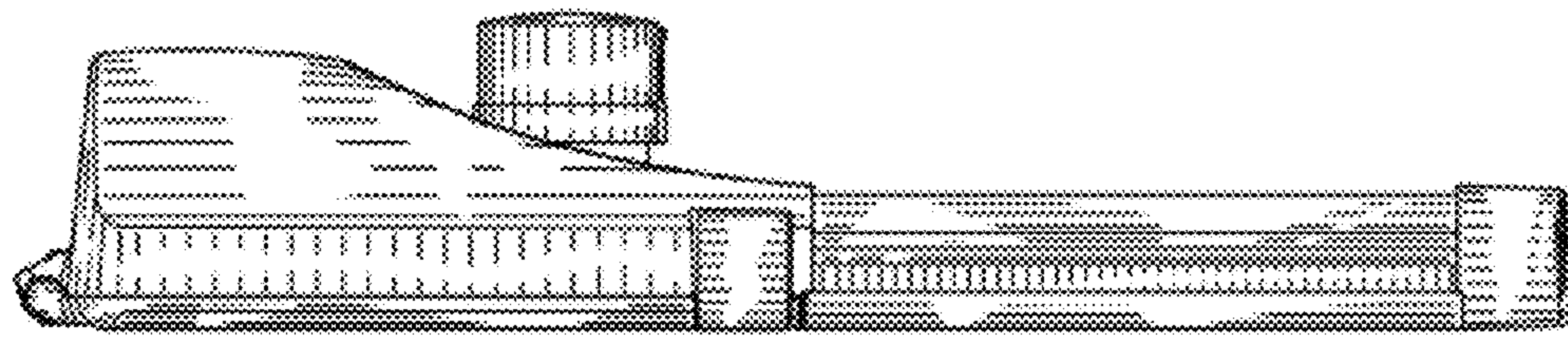


FIG. 4

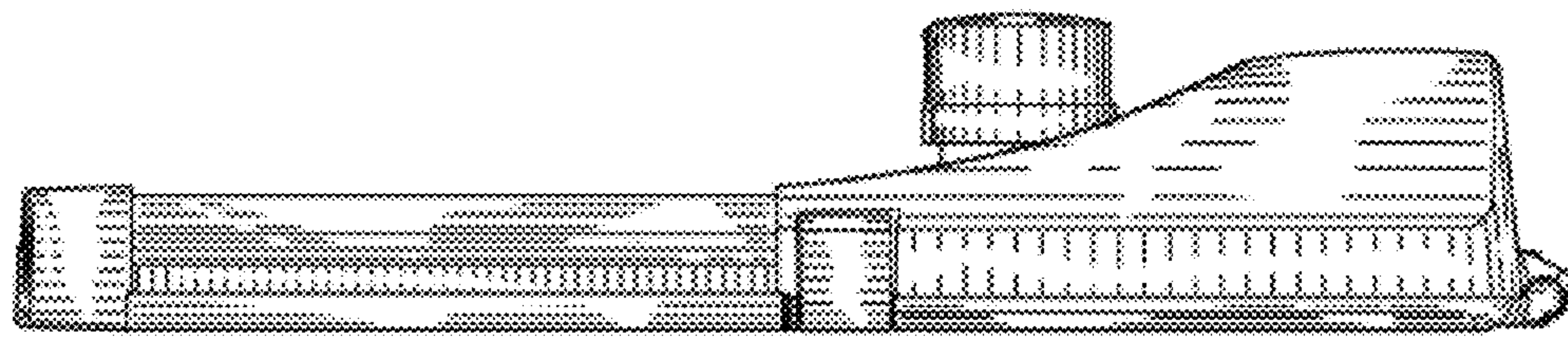


FIG. 5

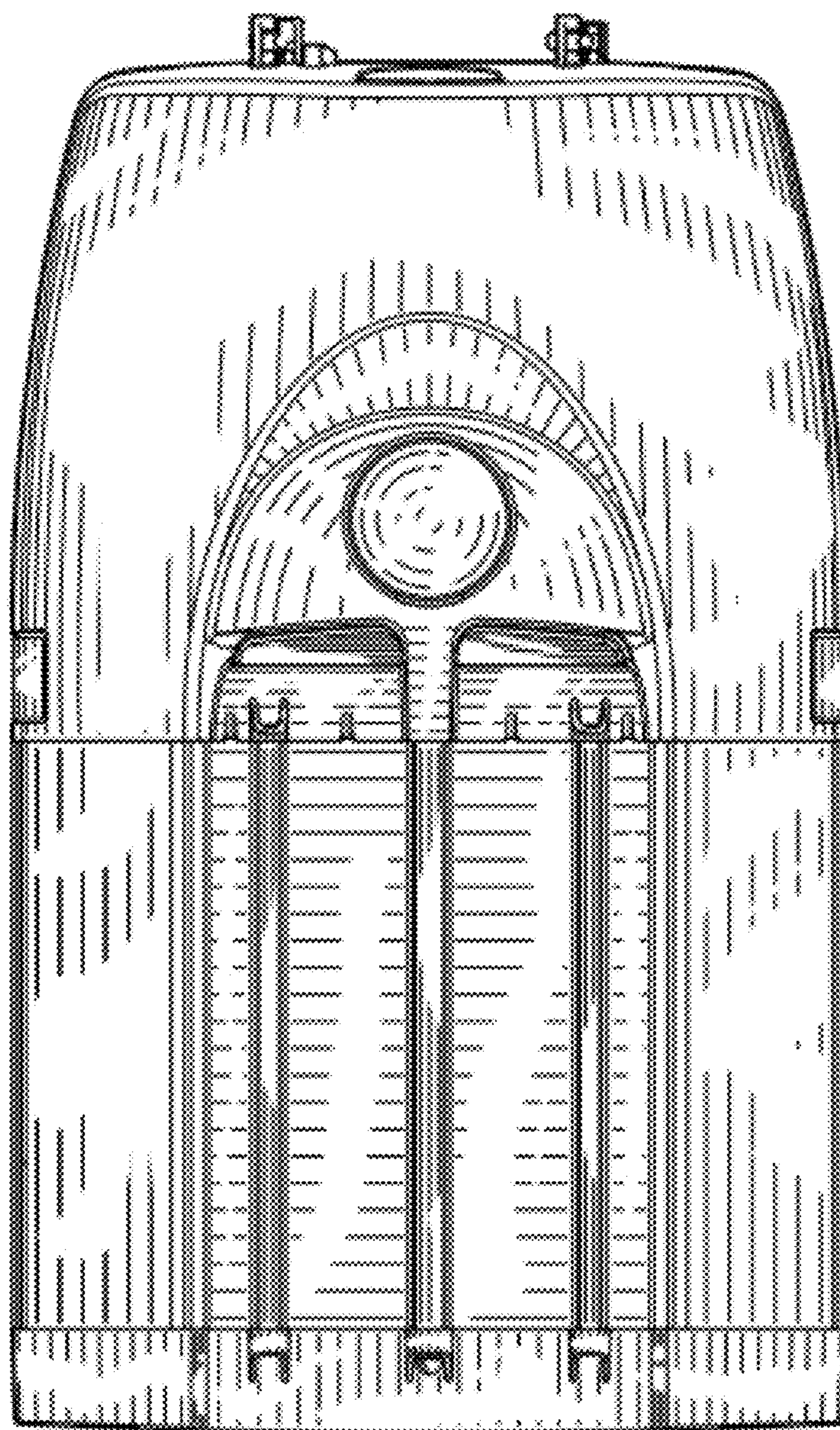


FIG.6

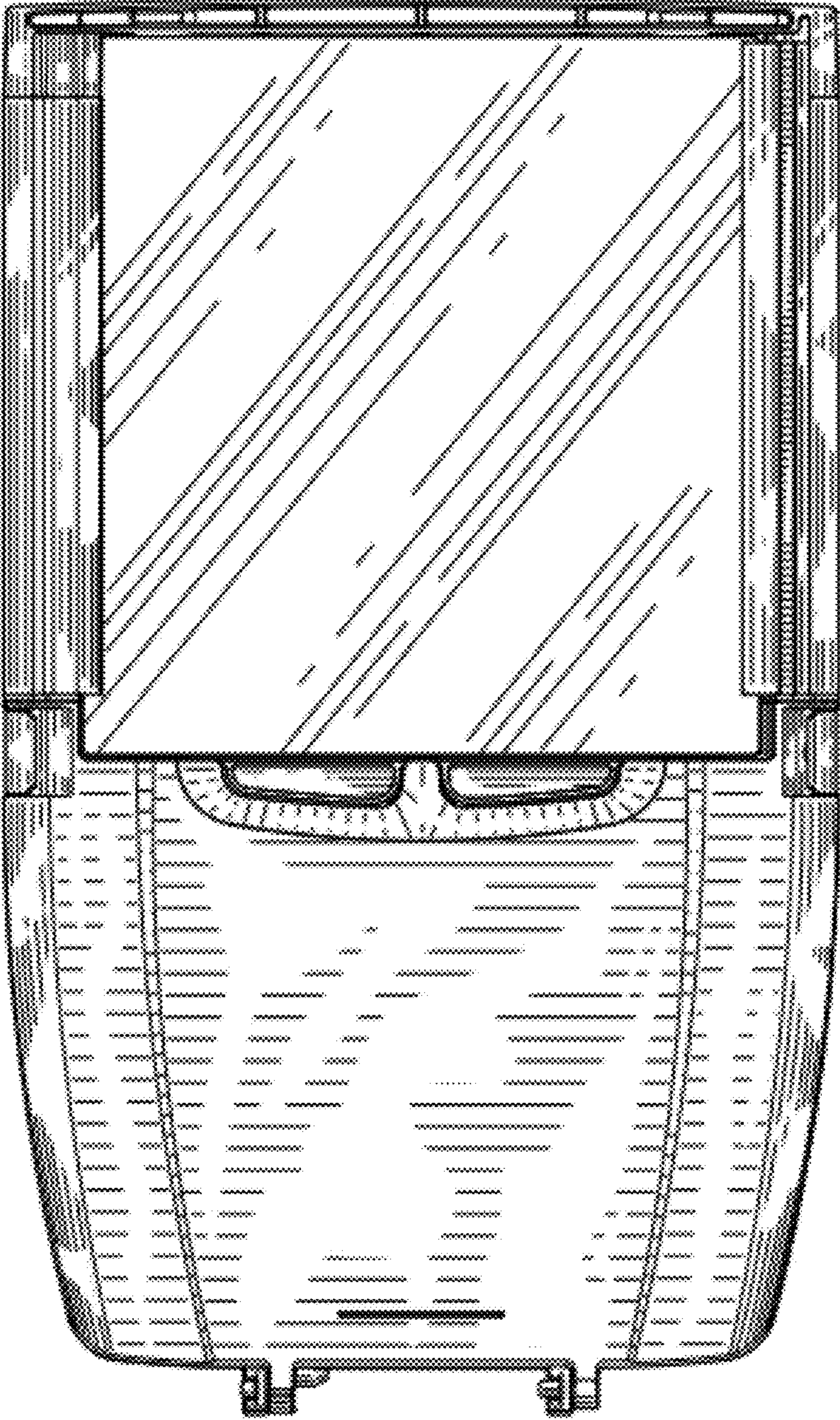


FIG. 7