



US00D675767S

(12) **United States Design Patent**
Guercio et al.

(10) **Patent No.:** **US D675,767 S**

(45) **Date of Patent:** **** Feb. 5, 2013**

- (54) **SQUARE BOLLARD LED LIGHT FIXTURE**
- (75) Inventors: **Vincenzo Guercio**, Wallkill, NY (US);
Wengang Gao, Ningbo (CN)
- (73) Assignee: **RAB Lighting Inc.**, Northvale, NJ (US)
- (**) Term: **14 Years**
- (21) Appl. No.: **29/412,065**
- (22) Filed: **Jan. 30, 2012**
- (51) **LOC (9) Cl.** **26-05**
- (52) **U.S. Cl.** **D26/68**
- (58) **Field of Classification Search** D26/67-71,
D26/85, 92, 104; D25/126; 362/145, 183,
362/431, 231, 268, 292, 297, 298, 300, 307,
362/310

See application file for complete search history.

(56) **References Cited**

U.S. PATENT DOCUMENTS

D254,092	S *	1/1980	Slade	D25/126
D290,410	S *	6/1987	Haggard	D26/68
5,335,471	A *	8/1994	Kupiec	52/834
D377,541	S *	1/1997	Porter	D26/68
D393,089	S *	3/1998	Metcheer, III	D26/68
D406,915	S *	3/1999	Metcheer, III	D26/68
D410,553	S *	6/1999	Compton	D25/126
D411,896	S *	7/1999	Houston	D26/68
D438,322	S *	2/2001	Skradski et al.	D26/68
D438,999	S *	3/2001	Bossy	D26/68
D443,094	S *	5/2001	Landefeld	D26/68
D465,051	S *	10/2002	Willmorth	D26/85
D472,650	S *	4/2003	Green	D25/126
D507,618	S *	7/2005	Scarpa, III	D25/126
7,036,960	B1 *	5/2006	Gretz	362/354
D597,697	S *	8/2009	Sabernig	D26/68
D607,592	S *	1/2010	Skogg et al.	D26/68
7,976,199	B2 *	7/2011	Berns et al.	362/298
2002/0114170	A1 *	8/2002	Chen et al.	362/559
2006/0109667	A1 *	5/2006	Flaherty et al.	362/431

OTHER PUBLICATIONS

Kim Lighting "Low Level/Bollards" Product Brochure [online], 1 page, 2012, Retrieved from the Internet: <URL: www.kimlighting.com/products/low_level_bollards/> [retrieved on May 17, 2012].

Bega "Bollards" Product Brochure [online], 1 page, 2012, Retrieved from the Internet: <URL: www.bega-us.com/group.aspx?familyid=21> [retrieved on May 17, 2012].
Philips Gardco Lighting "Bollards" Brochure [online], 1 page, 2012, Retrieved from the Internet: <URL: www.sitelighting.com/Family.cfm?Brand=gar&ProLine=gbol> [retrieved on May 17, 2012].
LSI Greenlee® Hyperion Bollard Brochure [online], 1 page, 2012, Retrieved from the Internet: <URL: www.lsi-industries.com/products/lsi-greenlee-hyperion-bollard.aspx> [retrieved on May 17, 2012].
LED Bollards Datasheet [online]. AccessFixtures, 2012, [retrieved on May 17, 2012]. Retrieved from the Internet: <URL: www.accessfixtures.com/LED_Bollards_a/295.htm>.

(Continued)

Primary Examiner — Clare E Heflin
(74) *Attorney, Agent, or Firm* — Stewart & Irwin, P.C.;
Dennis S. Schell

(57) **CLAIM**

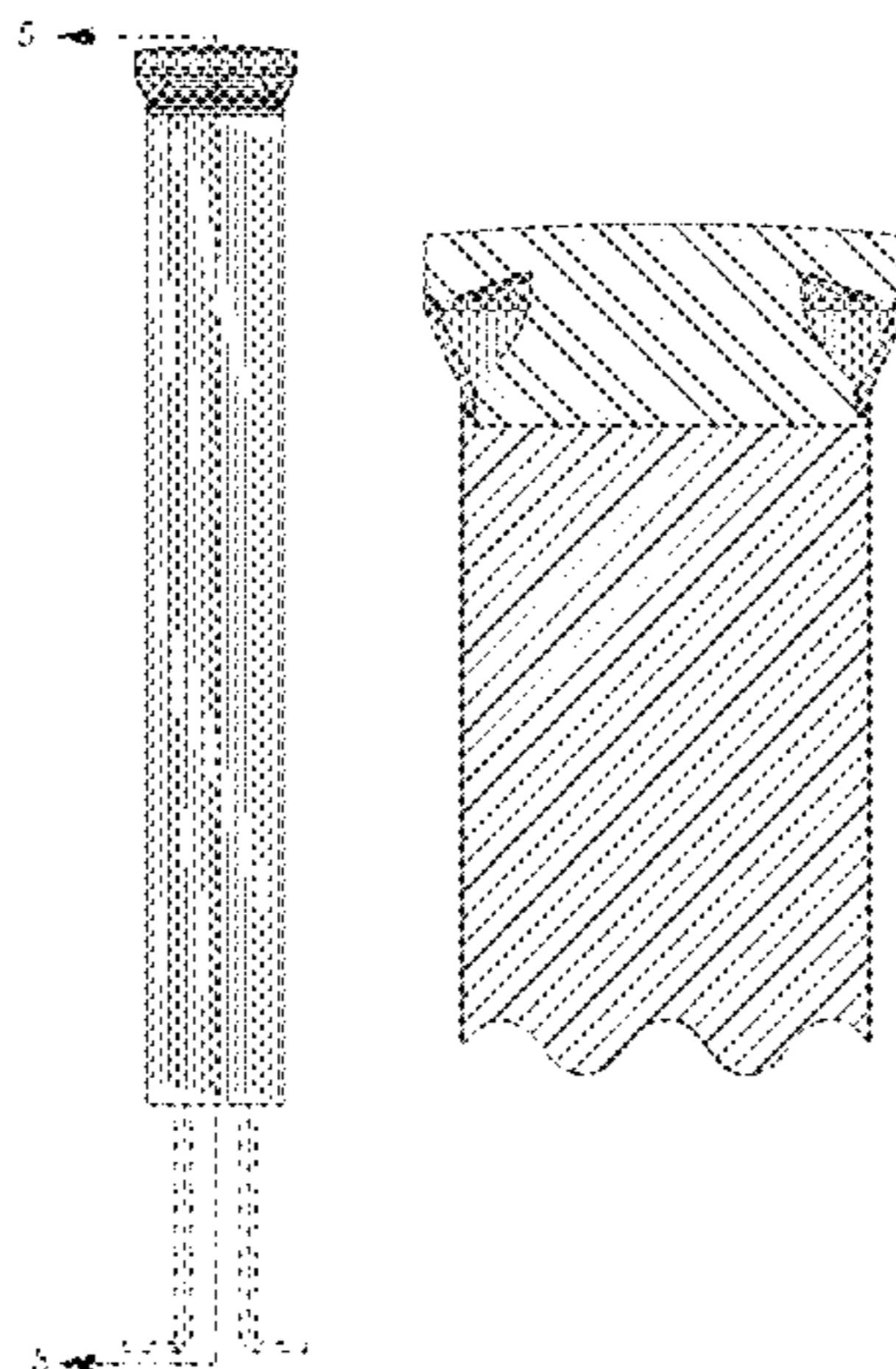
The ornamental design for a square bollard LED light fixture, substantially as shown and described.

DESCRIPTION

FIG. 1 is a bottom perspective view of an embodiment of the new design;
FIG. 2 is a front side view of the embodiment;
FIG. 3 is a top view of the embodiment;
FIG. 4 is a bottom view of the embodiment; and,
FIG. 5 is a cross sectional view of a top portion of the embodiment taken along line 5-5 of FIG. 2.

The design consists of the features of shape, ornament and configuration of the article shown in the drawings. The broken lines shown in the drawings are for the purposes of illustrating portions of the article that form no part of the claimed design. The right, left, and back side views are the same as the front side view and are therefore omitted. The cross-sectional view illustrated is FIG. 5 is at an enlarged scale and included to further illustrate certain interior portions of the embodiment visible through a lens portion near the top of the embodiment.

1 Claim, 4 Drawing Sheets



OTHER PUBLICATIONS

Firstlight product datasheet [online]. A&A Electrical Supplies, Retrieved from the Internet: <URL: www.aandaelectricalsupplies.co.uk/FIRSTLIGHT_MAIN.html>.

Bollards Brochure [online]. Primelite MFG, Retrieved from the Internet: <URL: www.primelite-mfg.com/catalog/Sec_D_Page_29.jpg>.

* cited by examiner

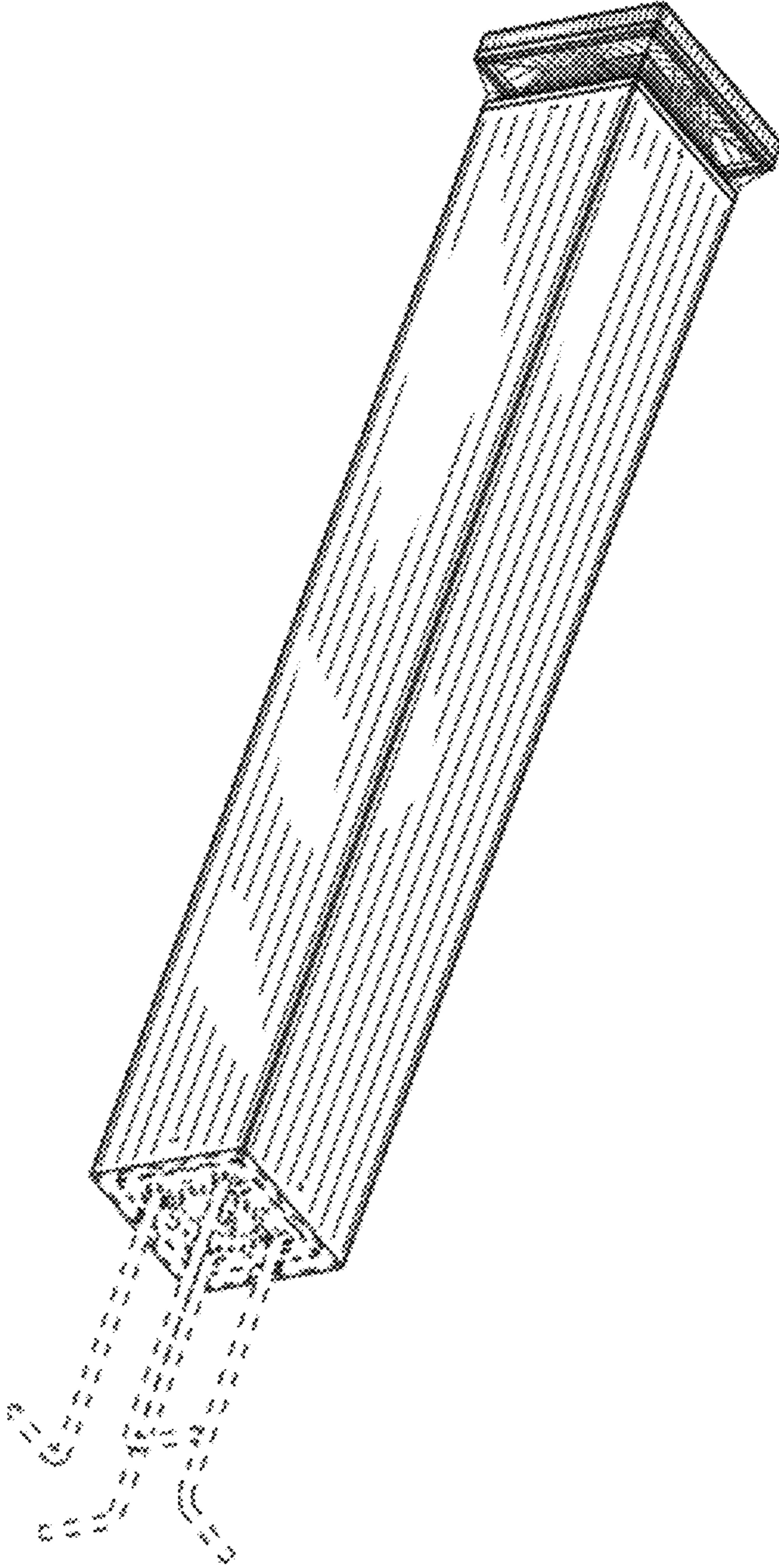


Fig. 1

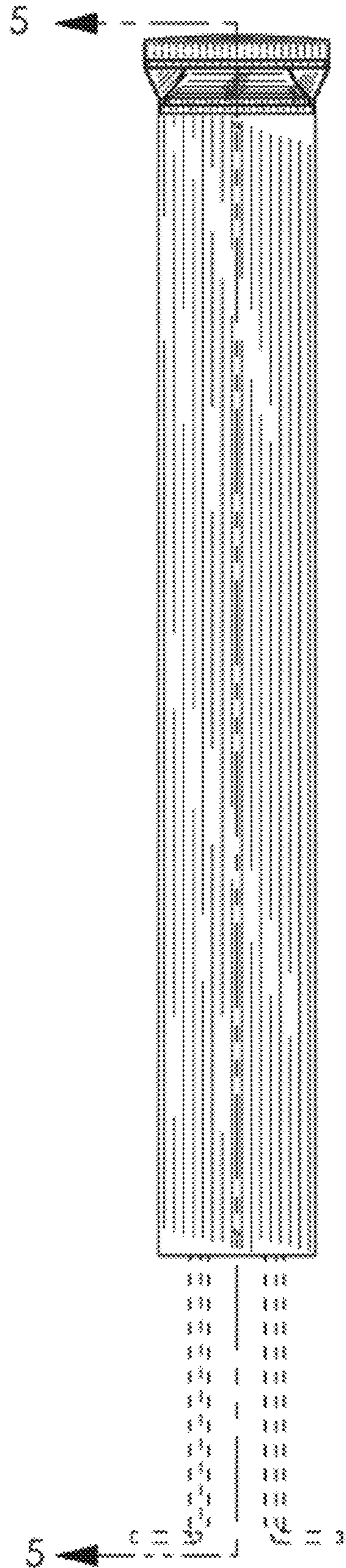


Fig. 2

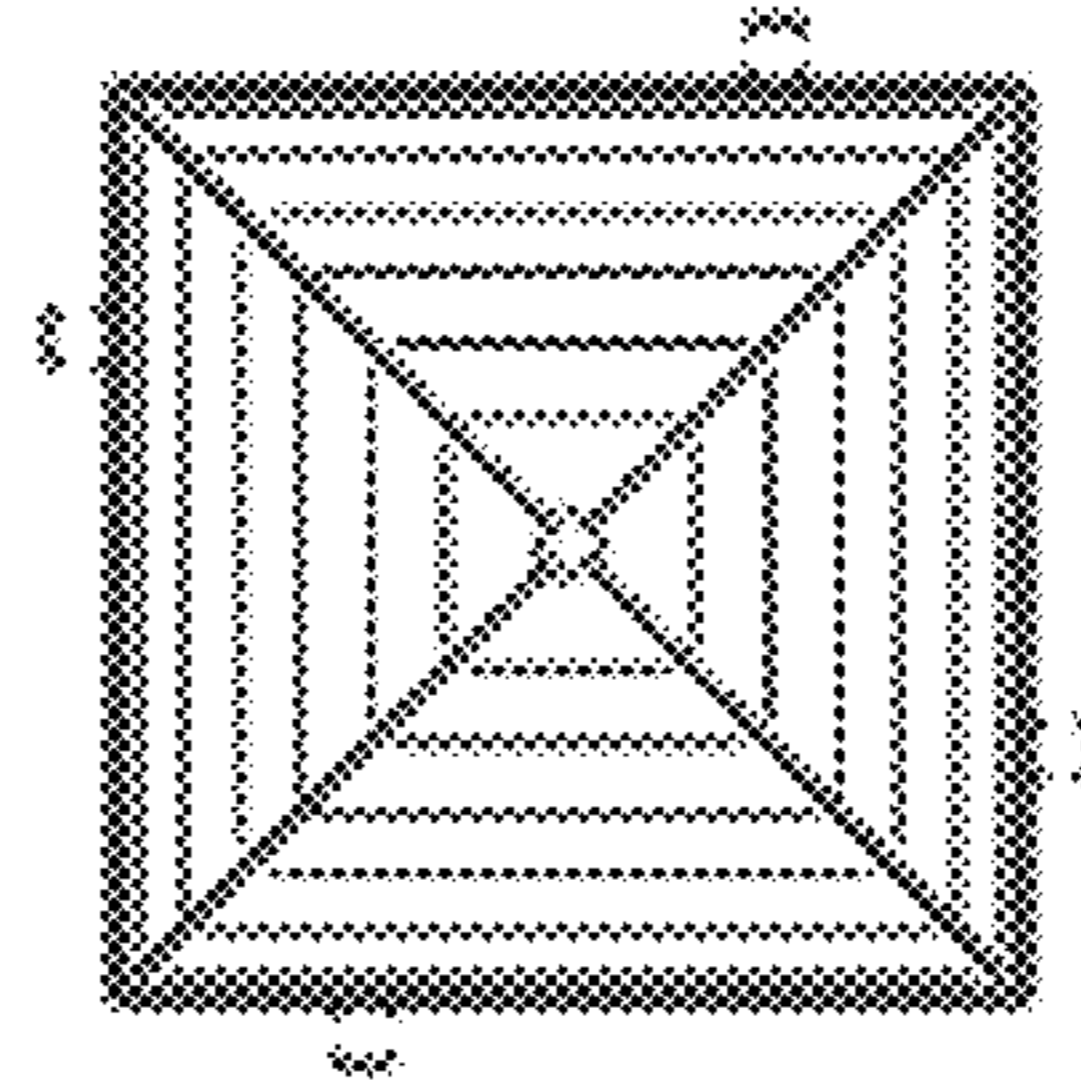


Fig. 3

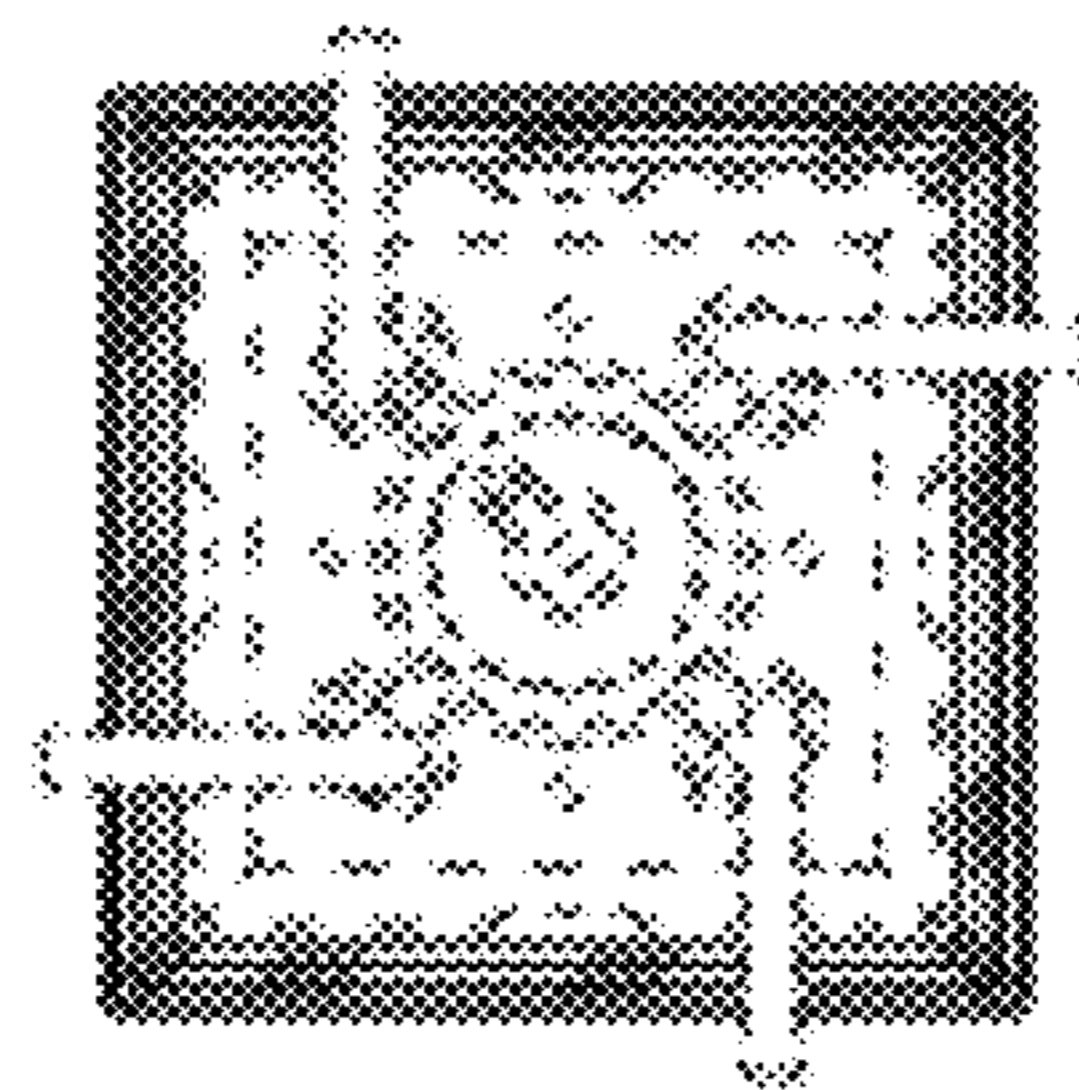


Fig. 4

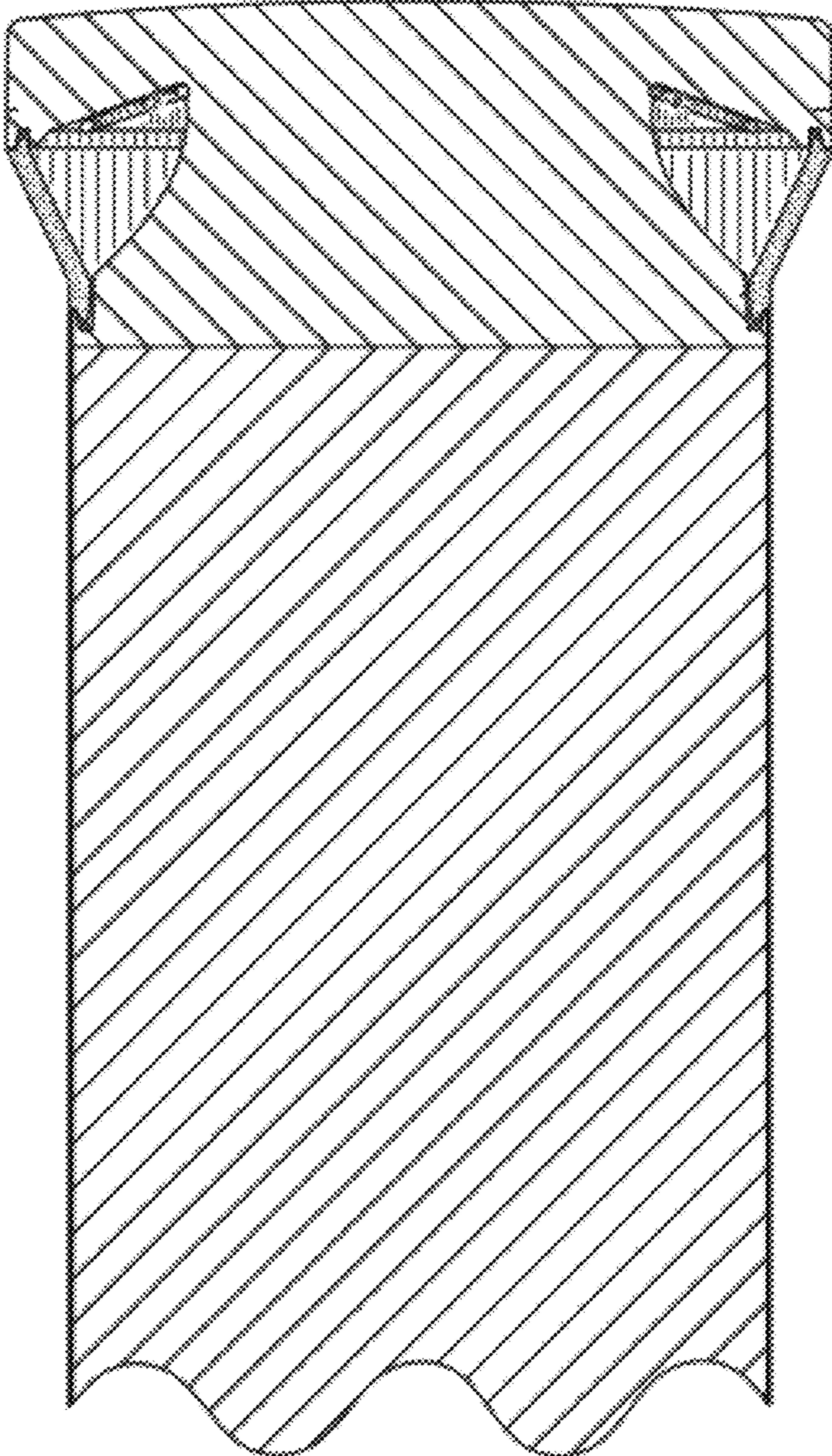


Fig. 5