



US00D675765S

(12) **United States Design Patent**  
**Fung et al.**

(10) **Patent No.:** **US D675,765 S**

(45) **Date of Patent:** **\*\* Feb. 5, 2013**

(54) **FOLDING DESK LAMP WITH AN  
ADJUSTABLE ARM AND PIVOTING HEAD,  
UTILIZING LIGHT EMITTING DIODES**

(75) Inventors: **Edwin Shanming Fung**, Walnut, CA  
(US); **Ho-Shang Lee**, El Sobrante, CA  
(US)

(73) Assignee: **Dicon Fiberoptics, Inc.**, Richmond, CA  
(US)

(\*\*) Term: **14 Years**

(21) Appl. No.: **29/396,436**

(22) Filed: **Jun. 29, 2011**

(51) **LOC (9) Cl.** ..... **26-05**

(52) **U.S. Cl.** ..... **D26/65**

(58) **Field of Classification Search** ..... D26/60-66,  
D26/72, 87, 92, 85, 93, 102, 104; 362/157,  
362/158, 183-208, 171-174, 271, 311.13,  
362/319, 430, 432, 213, 147, 269, 270, 410-414,  
362/418, 800, 275, 277, 278, 280-285, 287,  
362/288, 419, 427, 449, 211, 227, 232, 249.02-249.04,  
362/249.07-249.09, 249.1, 249.11, 264,  
362/235-240, 294

See application file for complete search history.

(56) **References Cited**

**U.S. PATENT DOCUMENTS**

D269,297 S *	6/1983	Lebowitz	.....	D26/65
D337,843 S *	7/1993	Huang	.....	D26/65
D352,125 S *	11/1994	Hayashibara	.....	D26/65
6,764,203 B2 *	7/2004	Chan	.....	362/414
D509,012 S *	8/2005	Chan	.....	D26/60
D542,455 S *	5/2007	Newcomb	.....	D26/60

D564,117 S *	3/2008	Lippert	.....	D26/61
D567,423 S *	4/2008	Shen	.....	D26/65
D617,933 S *	6/2010	Ng	.....	D26/65
D648,057 S *	11/2011	Copeland	.....	D26/65

\* cited by examiner

*Primary Examiner* — Susan M Lee

*Assistant Examiner* — Linda G. Brooks

(57) **CLAIM**

The ornamental design for a folding desk lamp with an adjustable arm and pivoting head, utilizing light emitting diodes, as shown and described.

**DESCRIPTION**

FIG. 1 is a perspective view of the folding desk lamp with an adjustable arm and pivoting head, utilizing light emitting diodes, showing the new design with its arm extended.

FIG. 2 shows a side view thereof.

FIG. 3 shows a top view thereof.

FIG. 4 shows the front thereof.

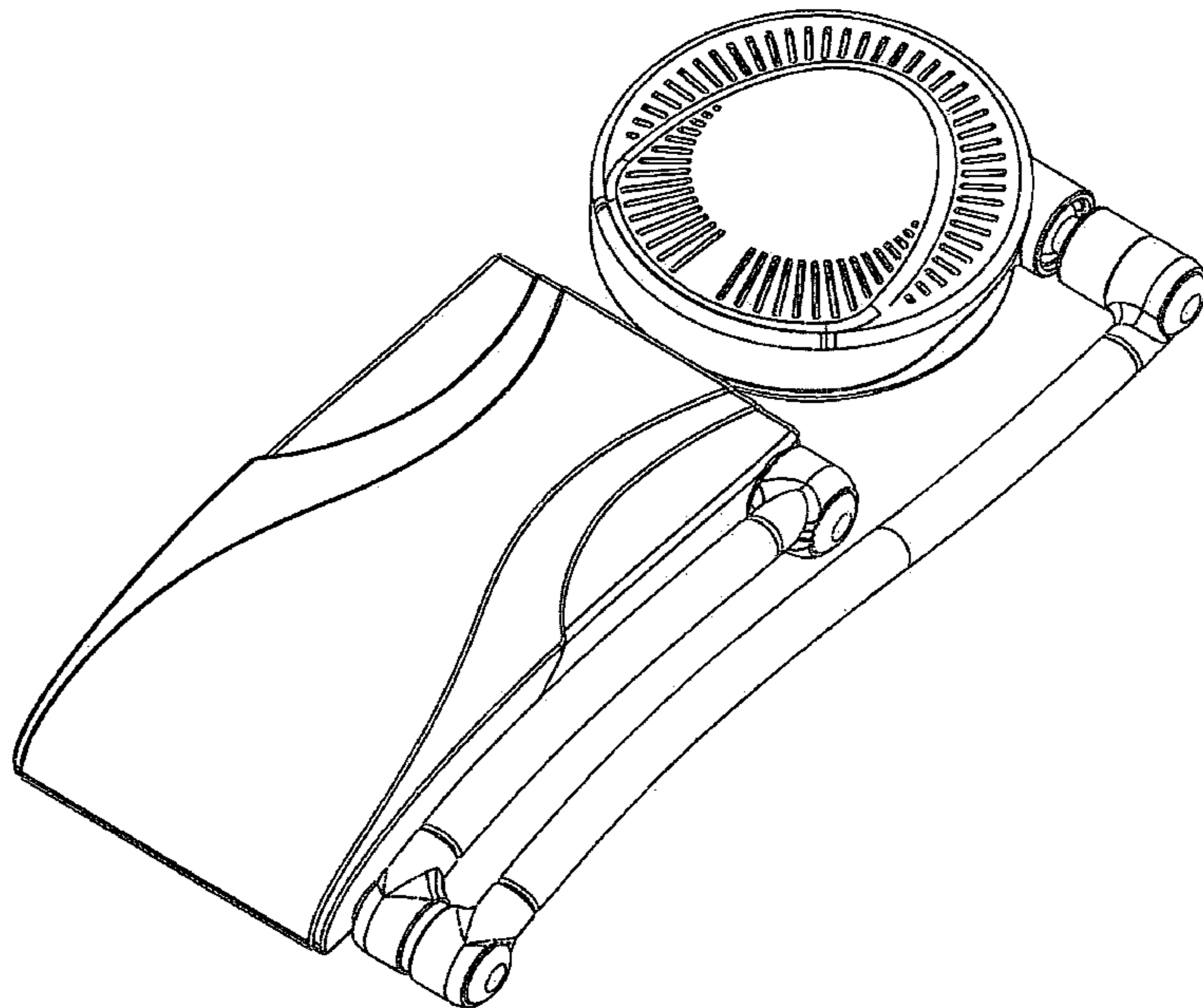
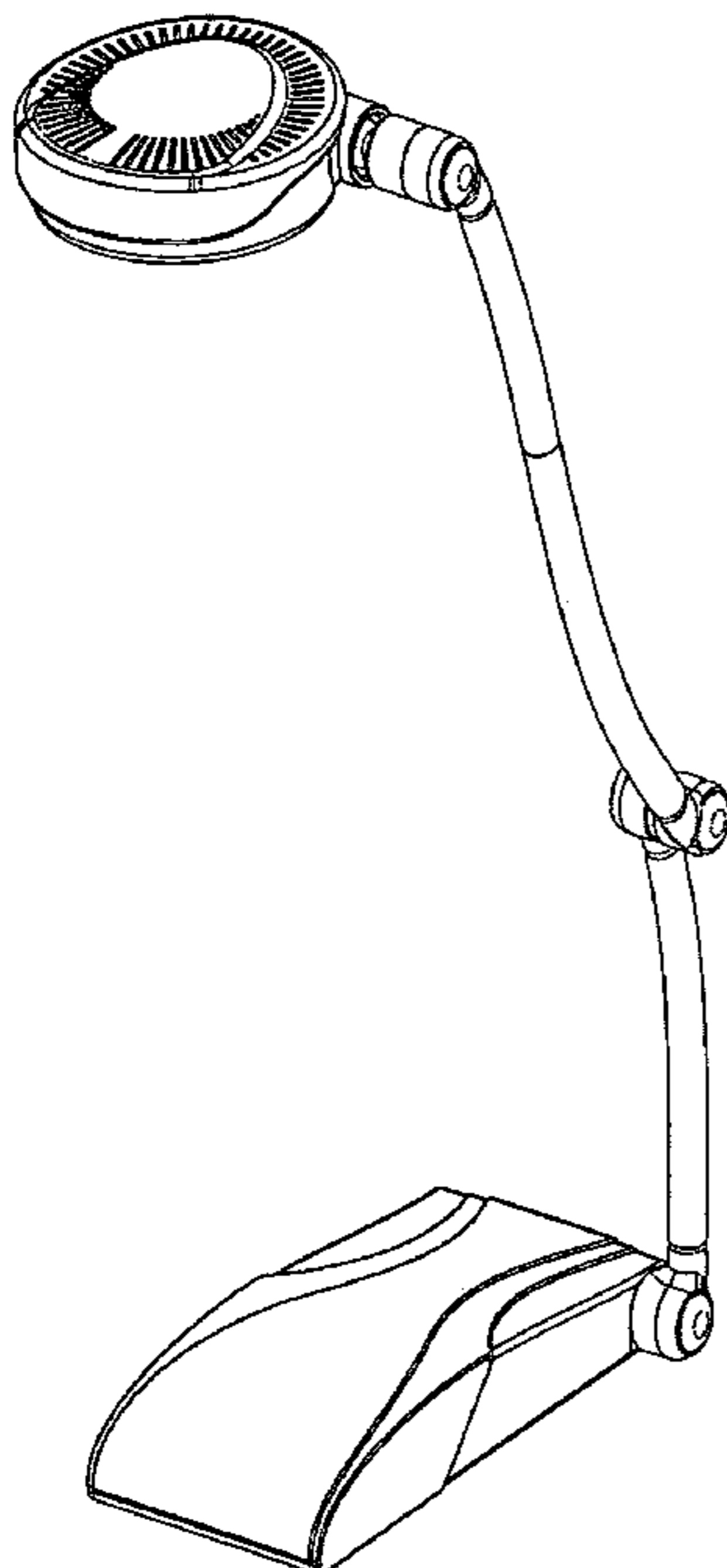
FIG. 5 shows the rear thereof.

FIG. 6 is a perspective view thereof, with the lamp arm only partly extended.

FIG. 7 is a perspective view thereof, with the lamp arm folded. FIG. 8 shows a side view thereof, with the lamp arm folded; and,

FIG. 9 shows a bottom view thereof, with the lamp arm folded. This view also shows the underside of the head of the desk lamp, including multiple ventilating slots and a circular area that are planar design features, without surface contours. For information purposes only, the circular area is a flat cover over the light emitting diodes that provide the lamp's light source.

**1 Claim, 7 Drawing Sheets**



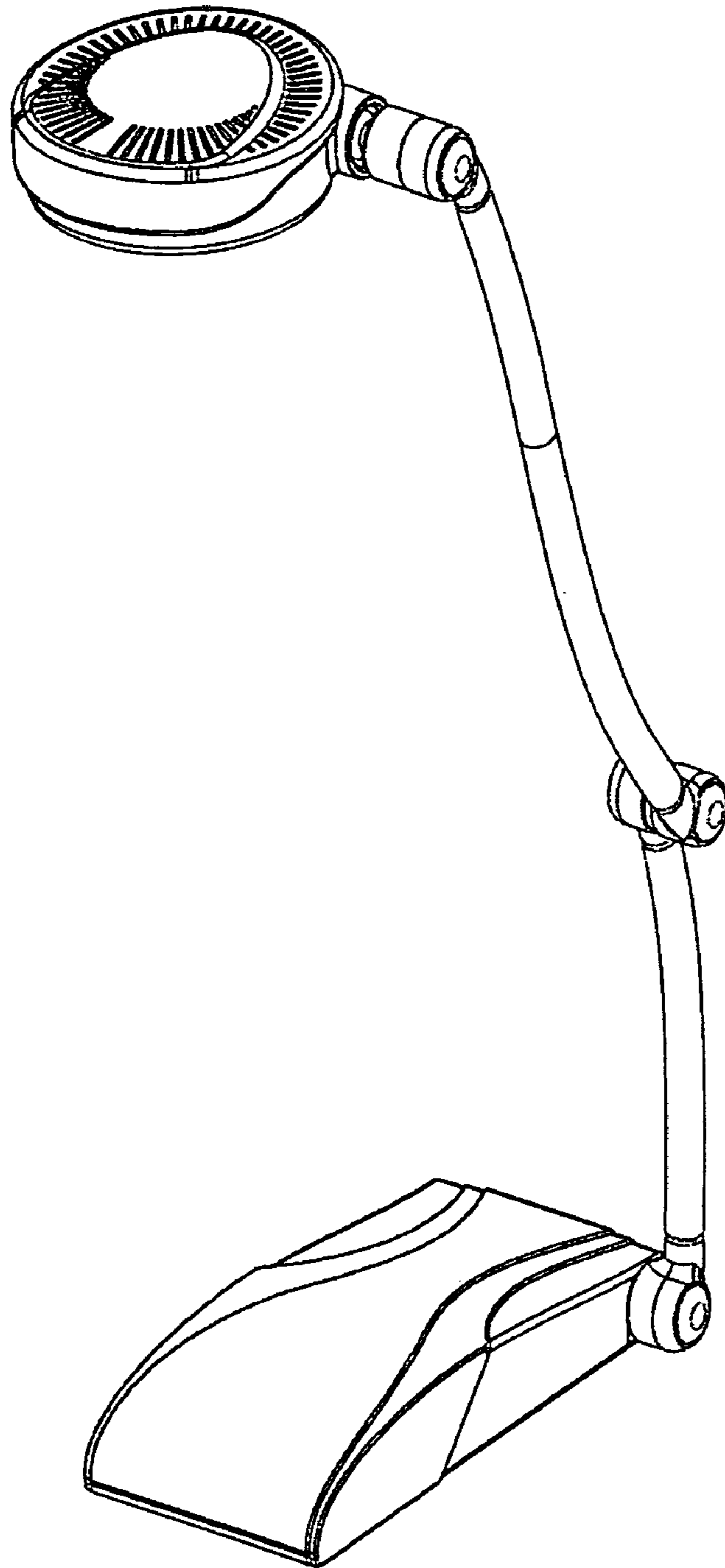


FIG. 1

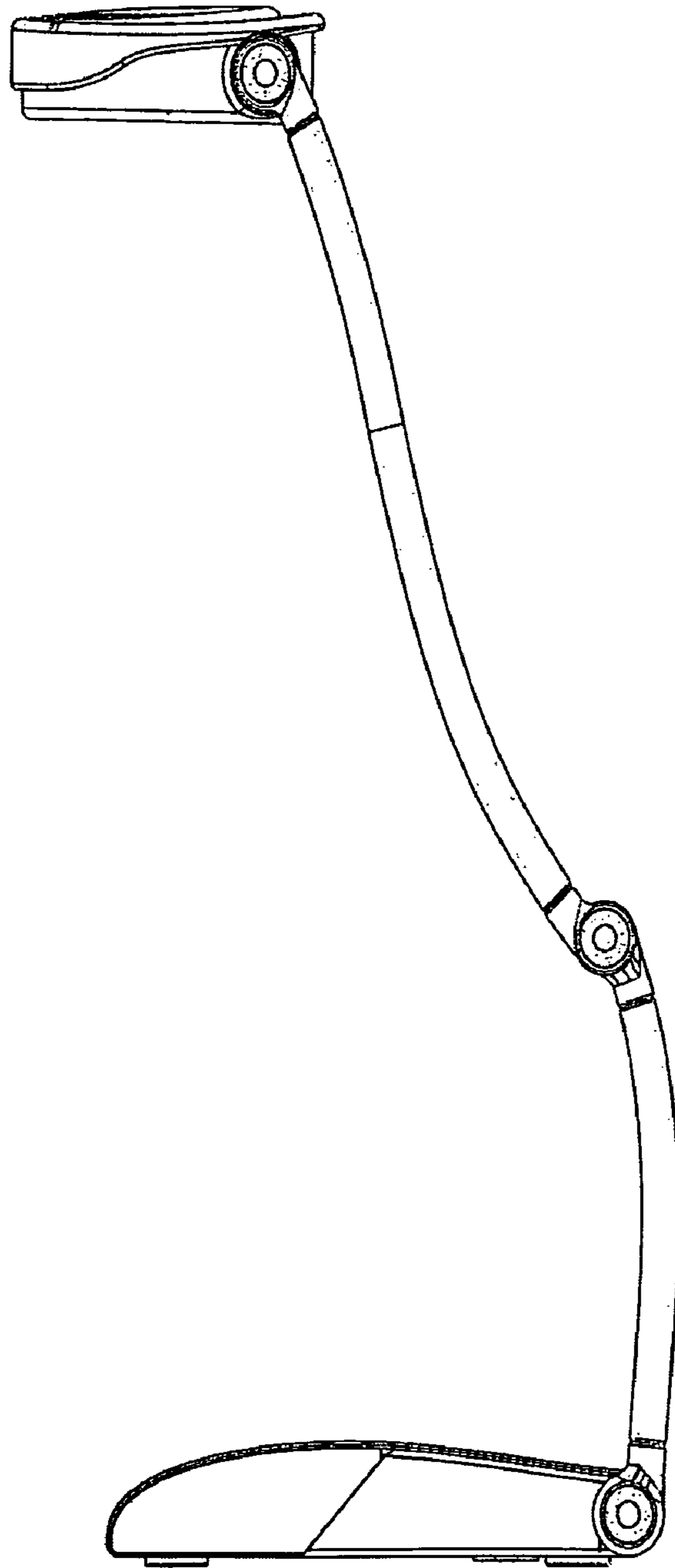


FIG. 2

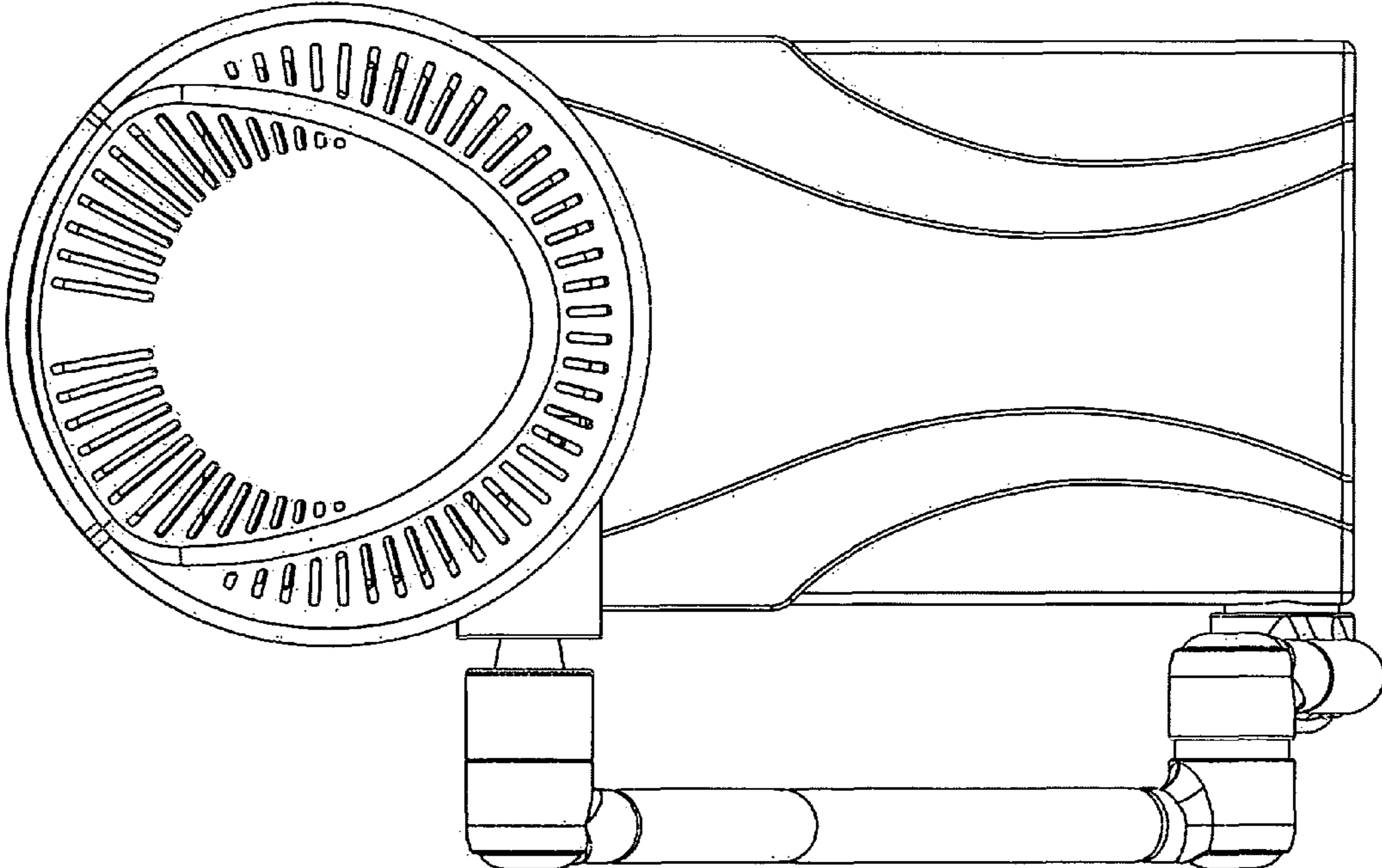


FIG. 3

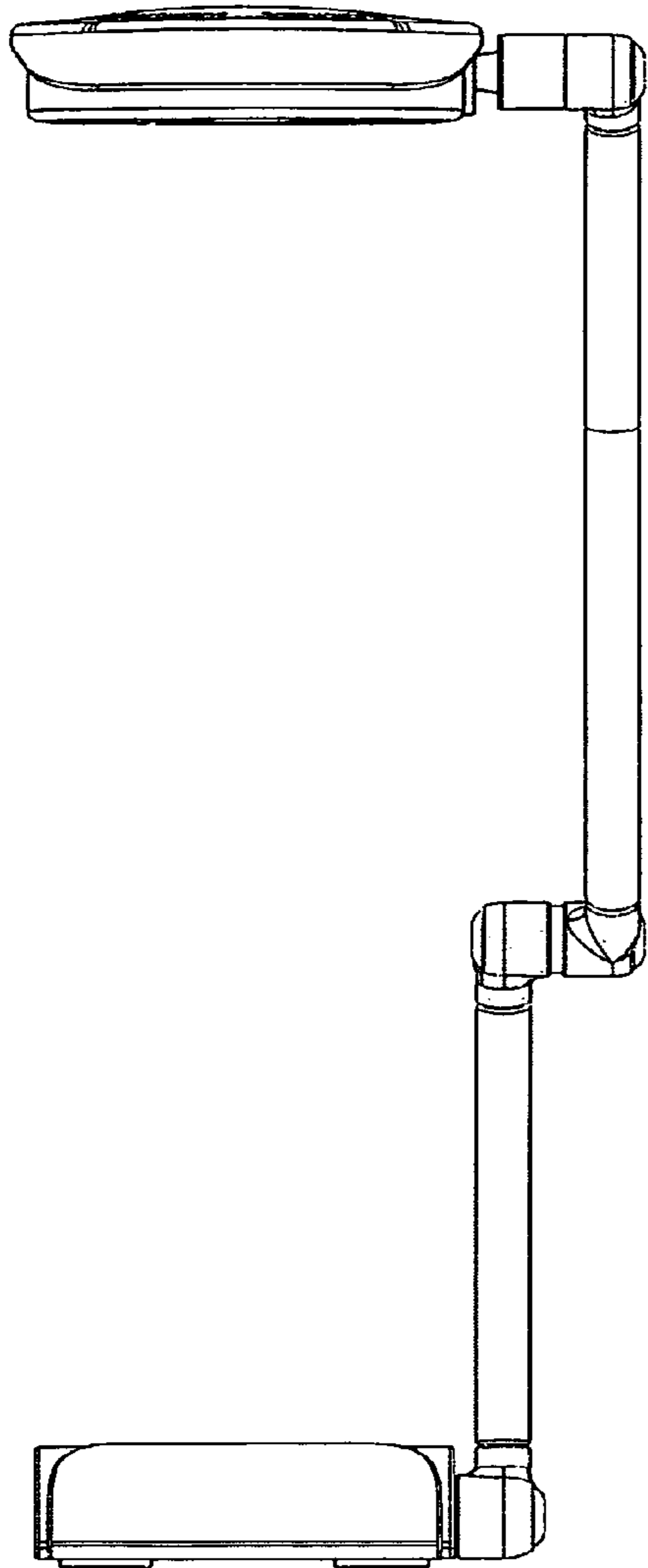


FIG. 4

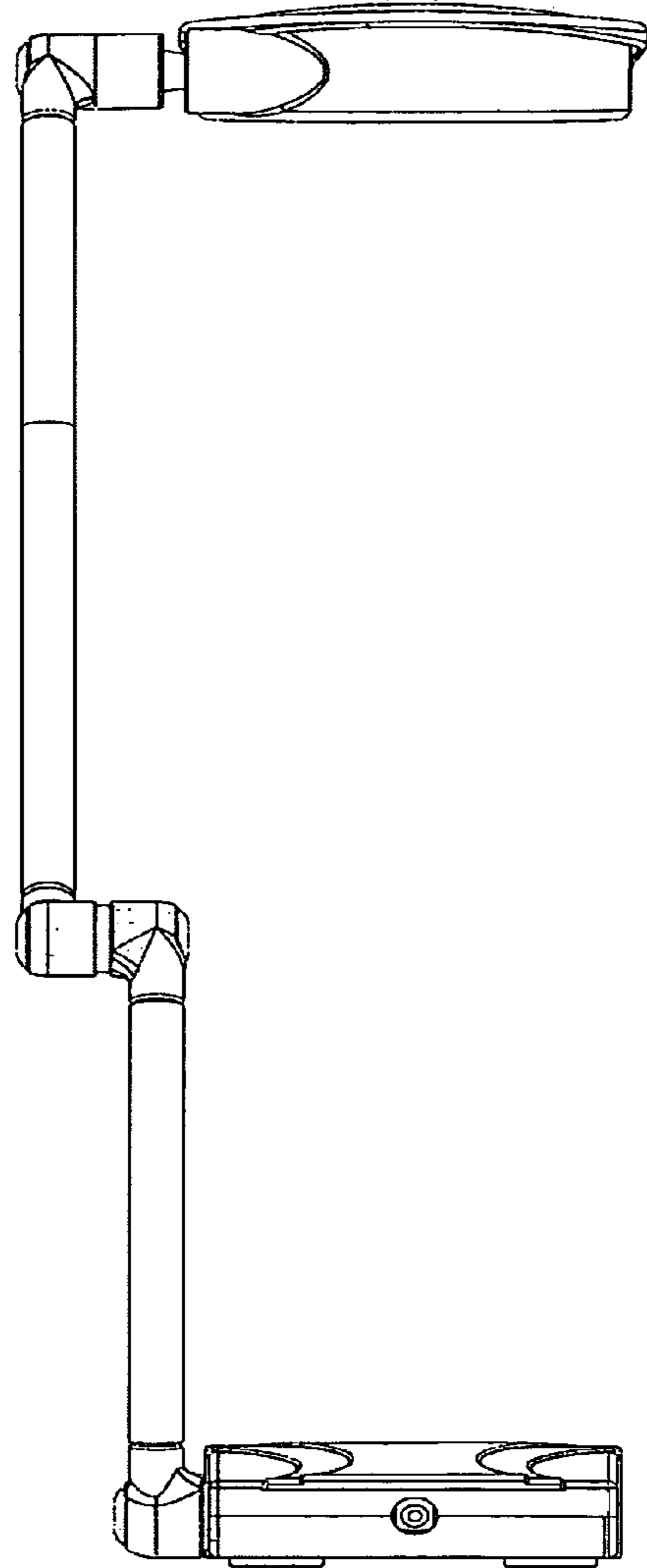


FIG. 5



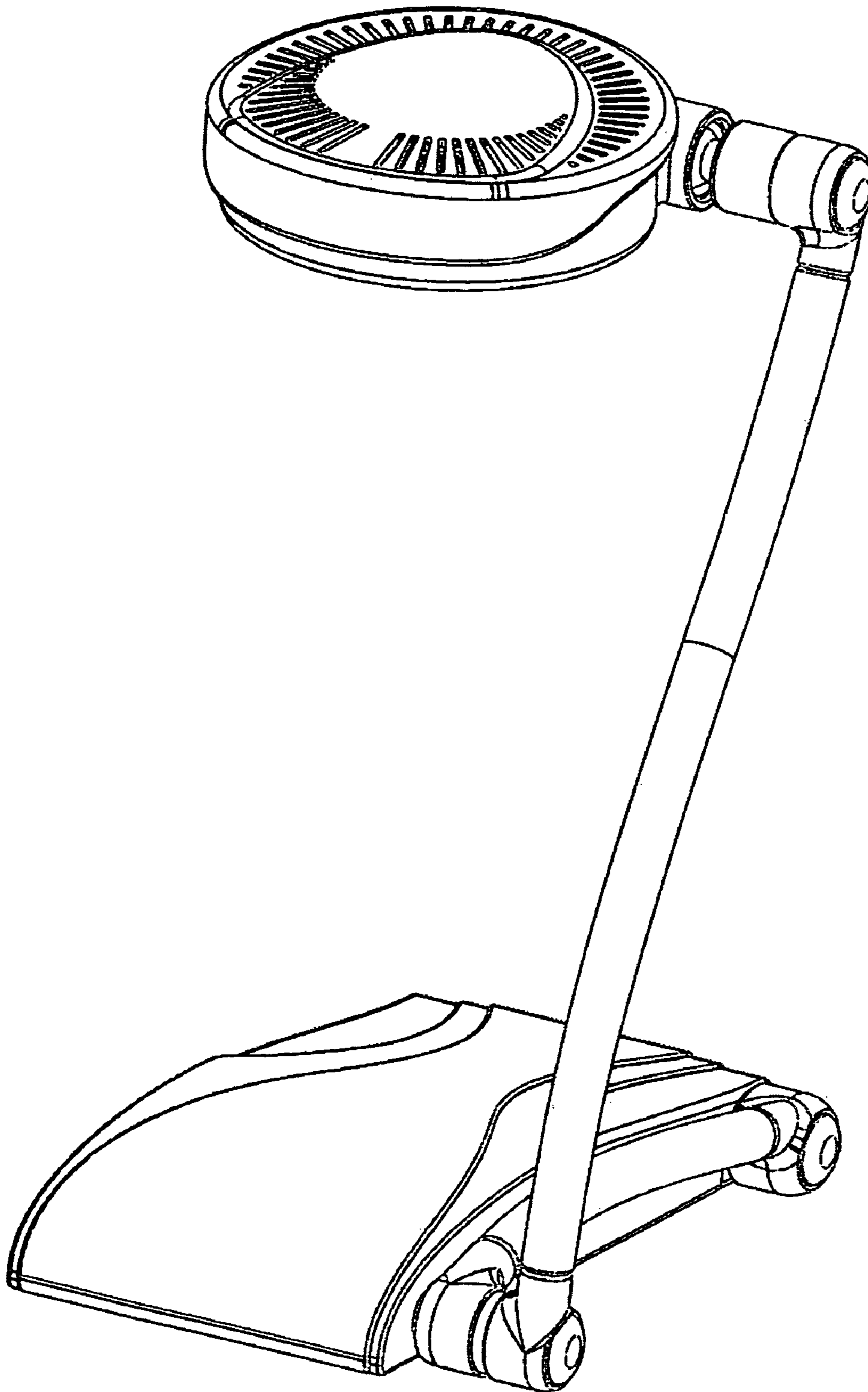


FIG. 6

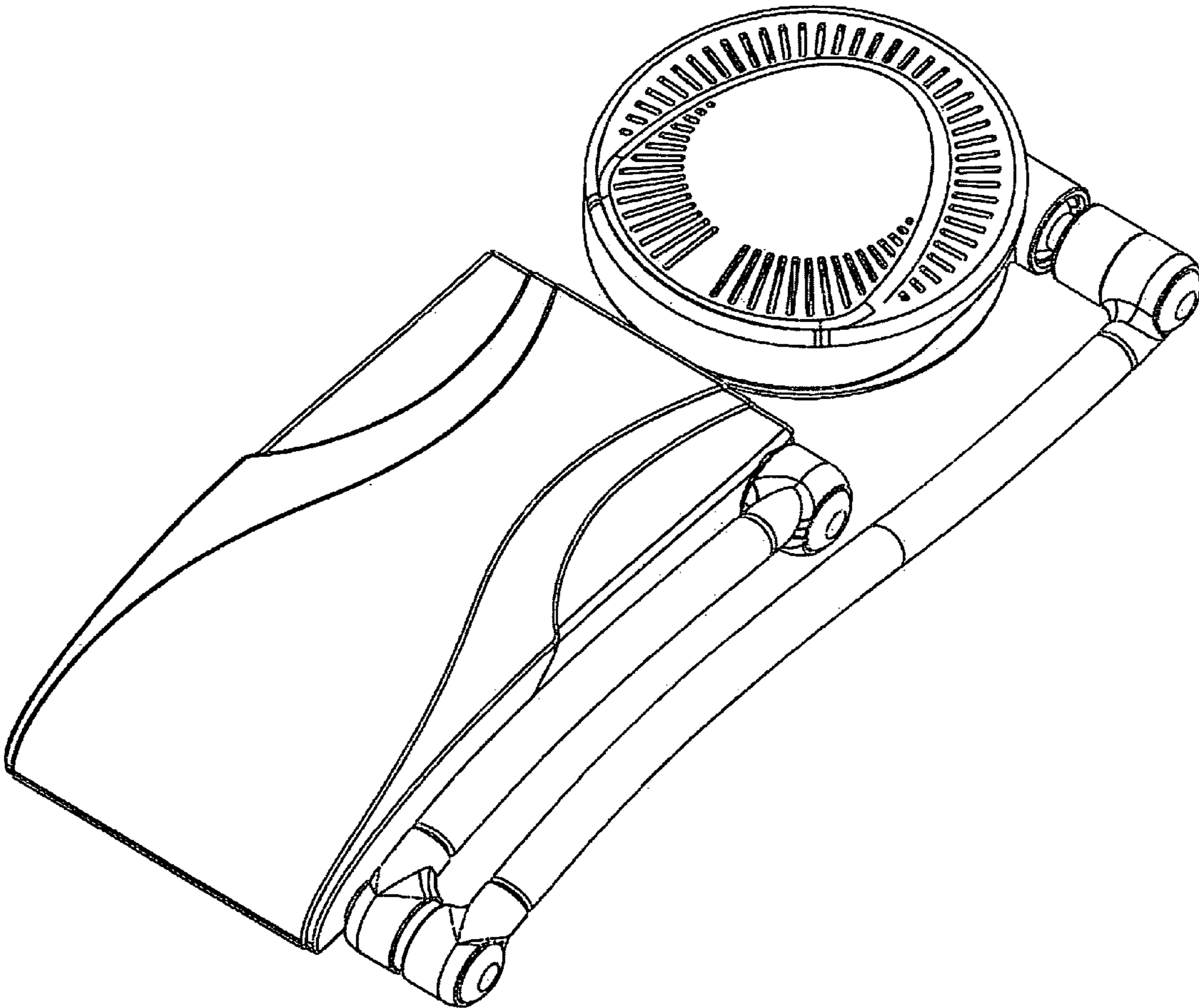


FIG. 7

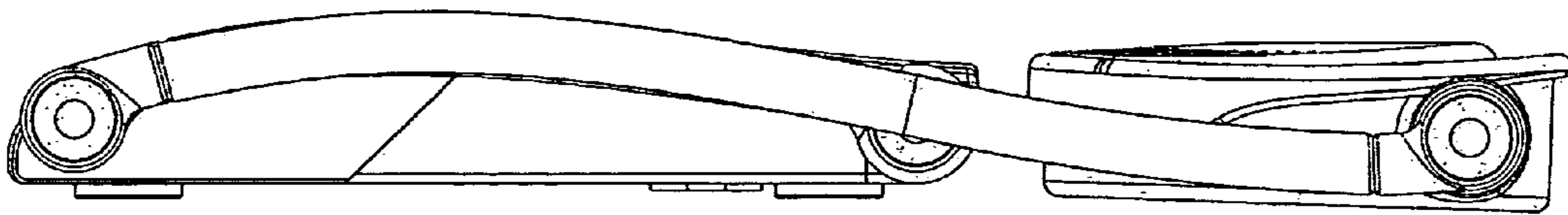


FIG. 8

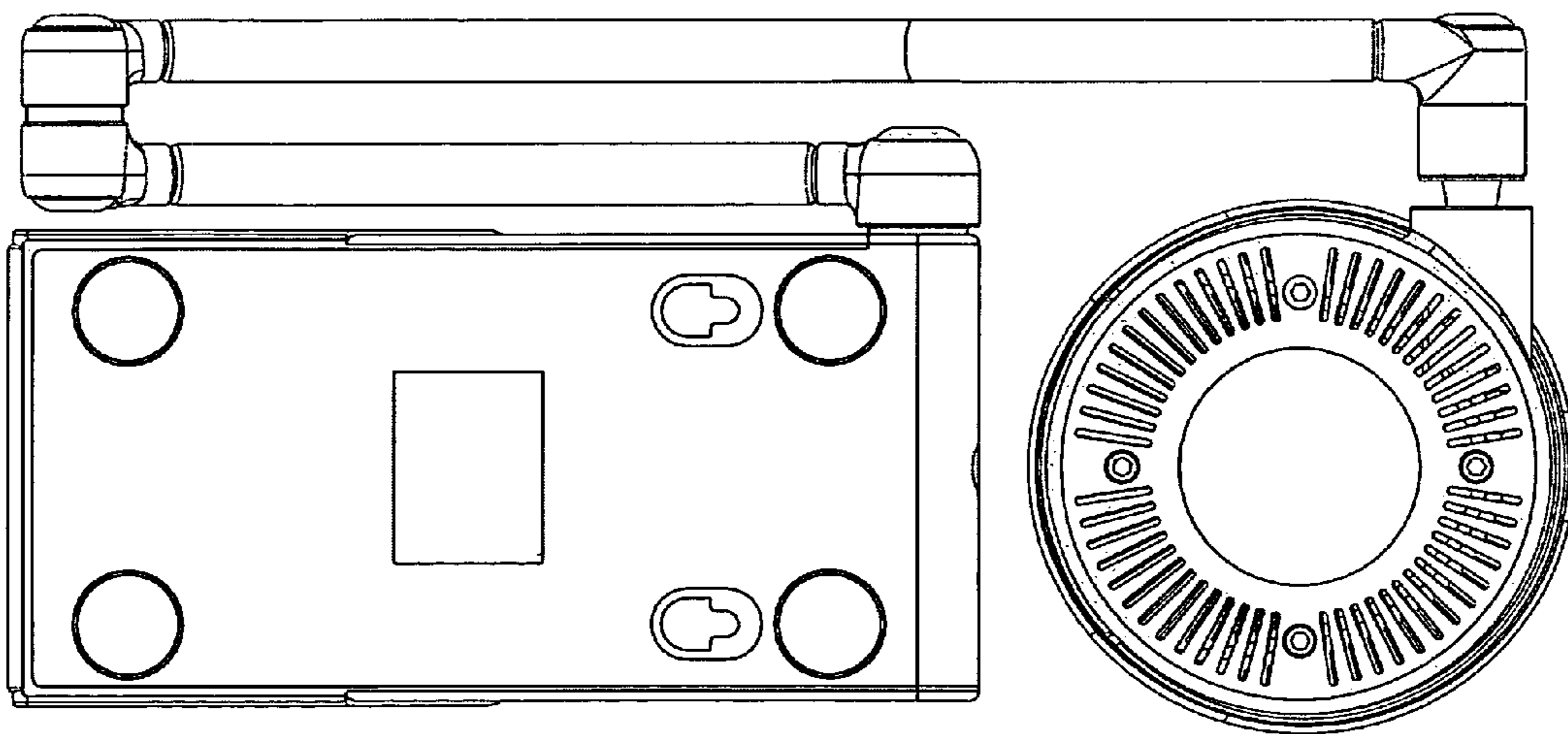


FIG. 9