



US00D675763S

(12) **United States Design Patent**
Levine

(10) **Patent No.:** **US D675,763 S**

(45) **Date of Patent:** **** Feb. 5, 2013**

(54) **LIGHTING DEVICE**

(76) **Inventor:** **Jonathan E. Levine**, New York, NY
(US)

(**) **Term:** **14 Years**

(21) **Appl. No.:** **29/416,165**

(22) **Filed:** **Mar. 19, 2012**

(51) **LOC (9) Cl.** **26-02**

(52) **U.S. Cl.** **D26/40**

(58) **Field of Classification Search** D26/37,
D26/38, 40, 42, 43, 46, 49; 362/157, 158,
362/184, 194, 196-208, 253

See application file for complete search history.

(56) **References Cited**

U.S. PATENT DOCUMENTS

D213,635	S	*	3/1969	Brindley	D26/37
D273,335	S	*	4/1984	Bannigan	D26/51
5,530,633	A		6/1996	Yuen		
D486,598	S	*	2/2004	Lo	D26/40
6,796,677	B1	*	9/2004	Mohacsi	362/223
D537,968	S	*	3/2007	Shiu	D26/40
D547,891	S	*	7/2007	Shiu	D26/40
D553,272	S	*	10/2007	Leung	D26/37
D568,507	S	*	5/2008	Shiu	D26/37
D581,568	S	*	11/2008	Bertken	D26/40
D599,923	S	*	9/2009	Shiu	D26/40
D604,435	S	*	11/2009	Kingston et al.	D26/37

* cited by examiner

Primary Examiner — Ian Simmons

Assistant Examiner — Carissa C Fitts

(74) *Attorney, Agent, or Firm* — Perkins Coie LLP

(57) **CLAIM**

The ornamental design for a lighting device, as shown and described.

DESCRIPTION

FIG. 1 is a perspective view of a lighting device showing my new design in a first configuration, as viewed from the top and one side.

FIG. 2 is a top plan view of the lighting device of FIG. 1 in the first configuration.

FIG. 3 is a bottom plan view of the lighting device of FIG. 1 in the first configuration.

FIG. 4 is a first side elevation view of the lighting device of FIG. 1 in the first configuration.

FIG. 5 is a front elevation view of the lighting device of FIG. 1 in the first configuration.

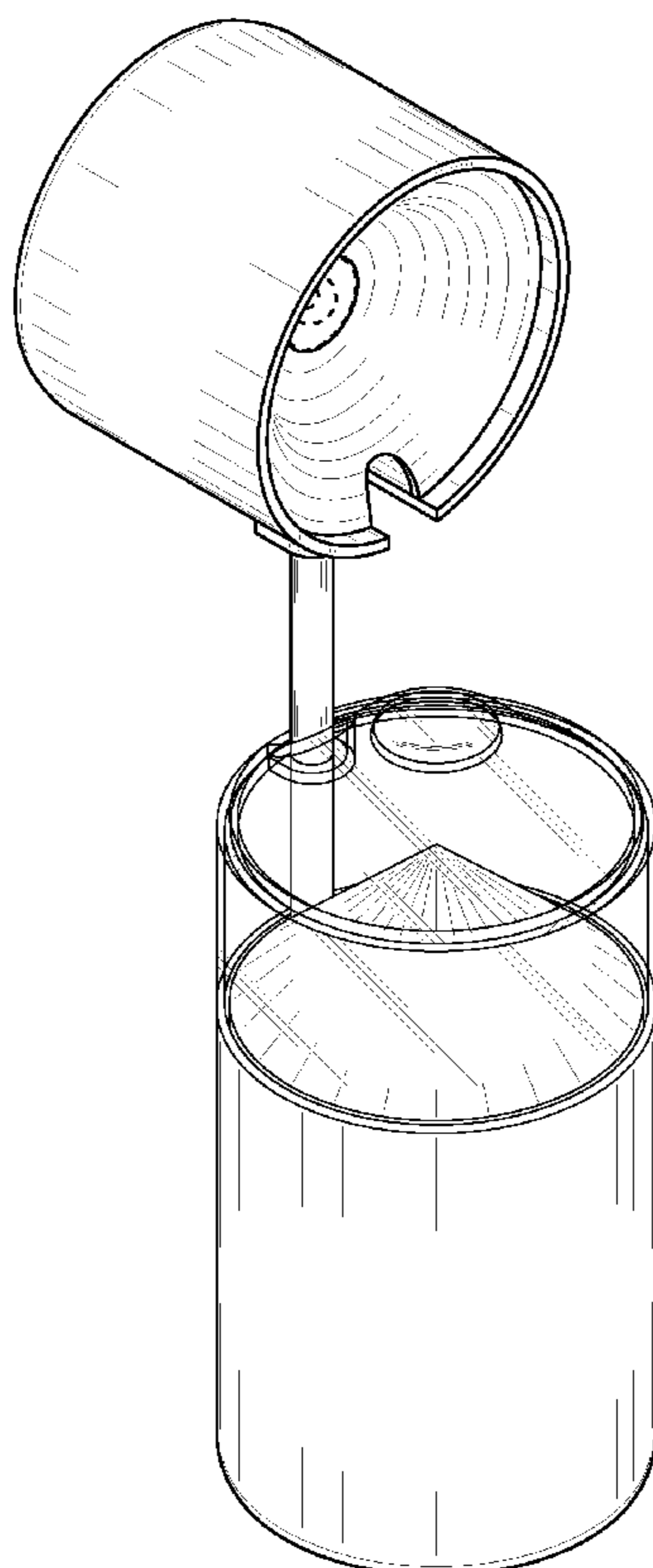
FIG. 6 is a second side elevation view of the lighting device of FIG. 1 in the first configuration.

FIG. 7 is a back elevation view of the lighting device of FIG. 1 in the first configuration; and,

FIG. 8 is a perspective view of the lighting device of FIG. 1 in a second configuration, as viewed from the top and one side.

The details shown in broken lines illustrate portions of the lighting device that form no part of the claimed design.

1 Claim, 4 Drawing Sheets



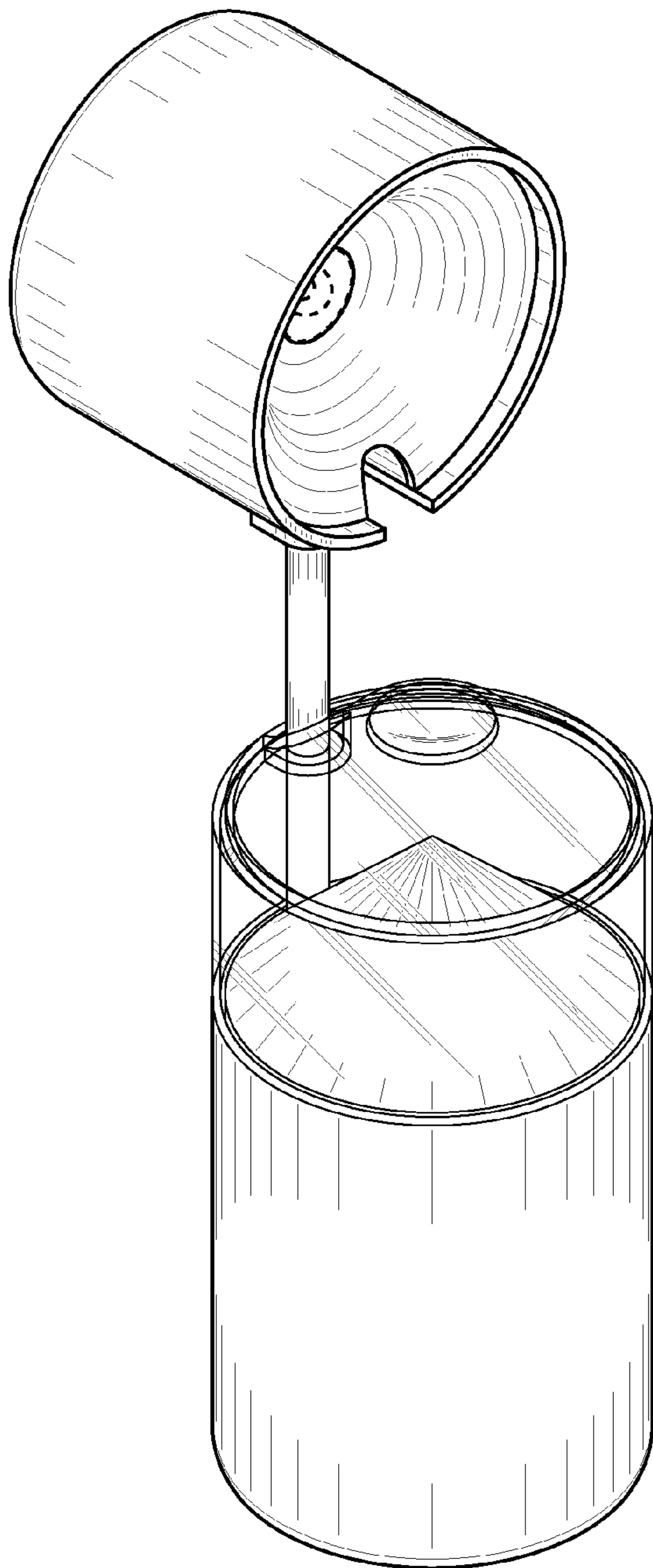


FIG. 1

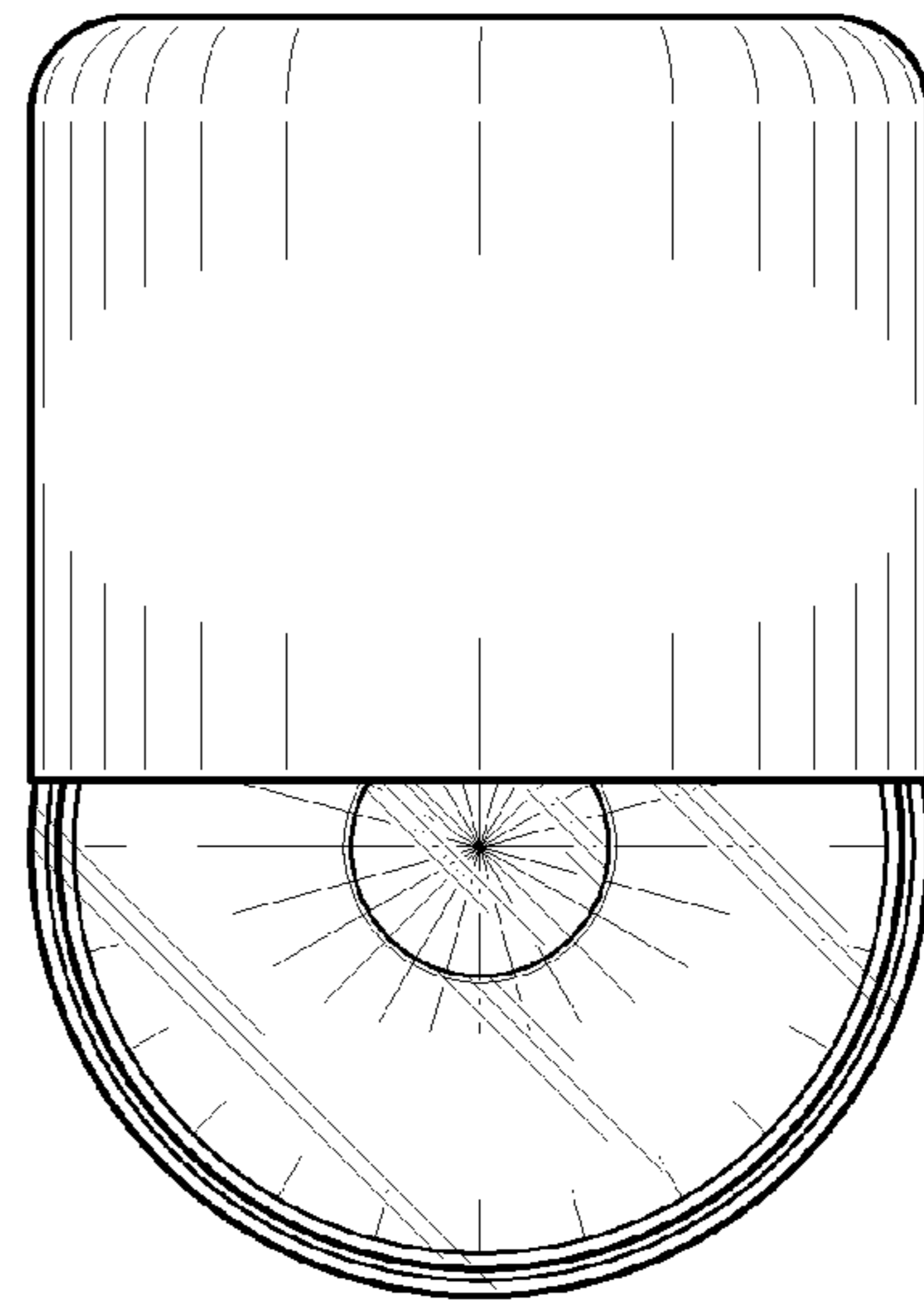


FIG. 2

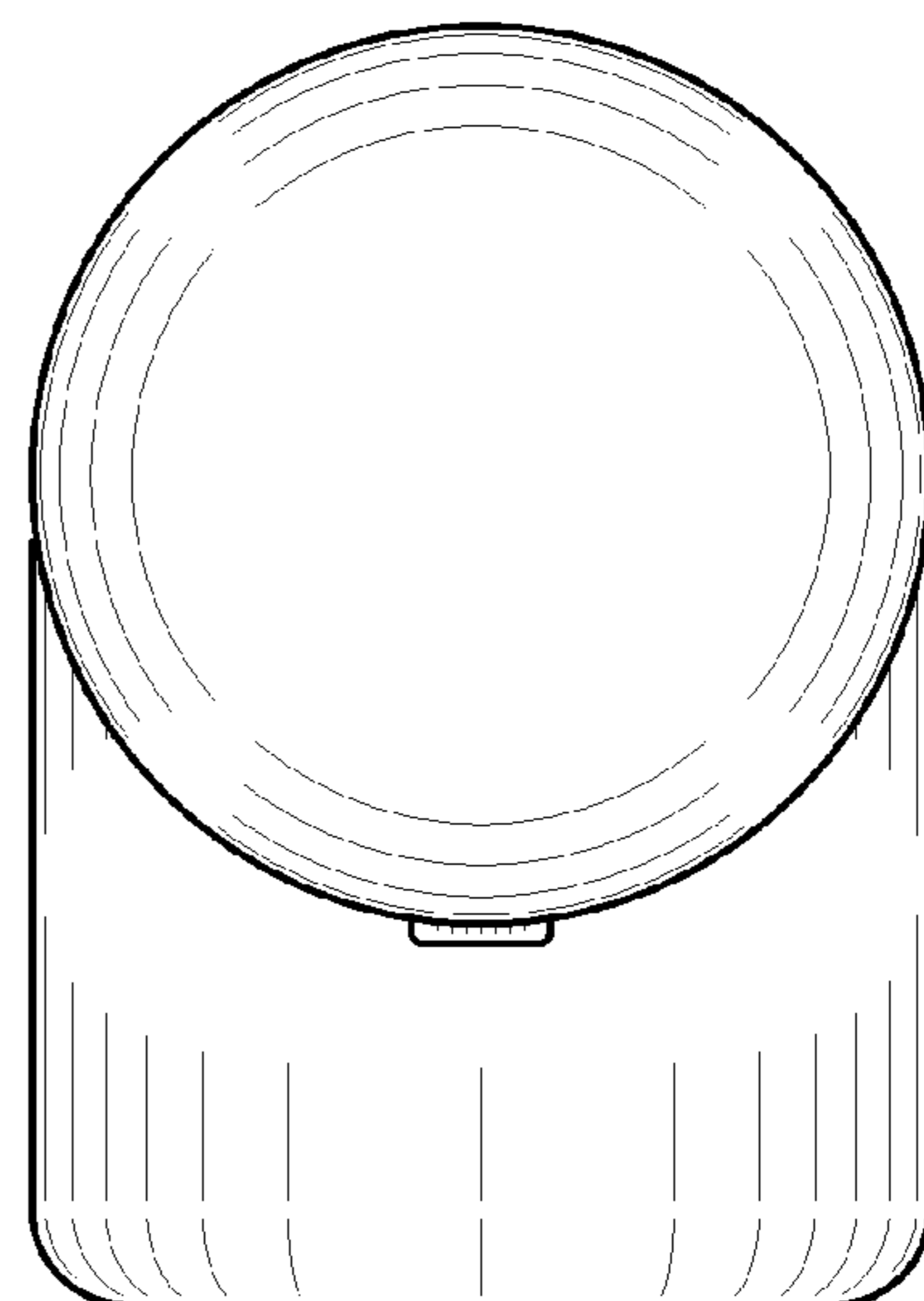


FIG. 3

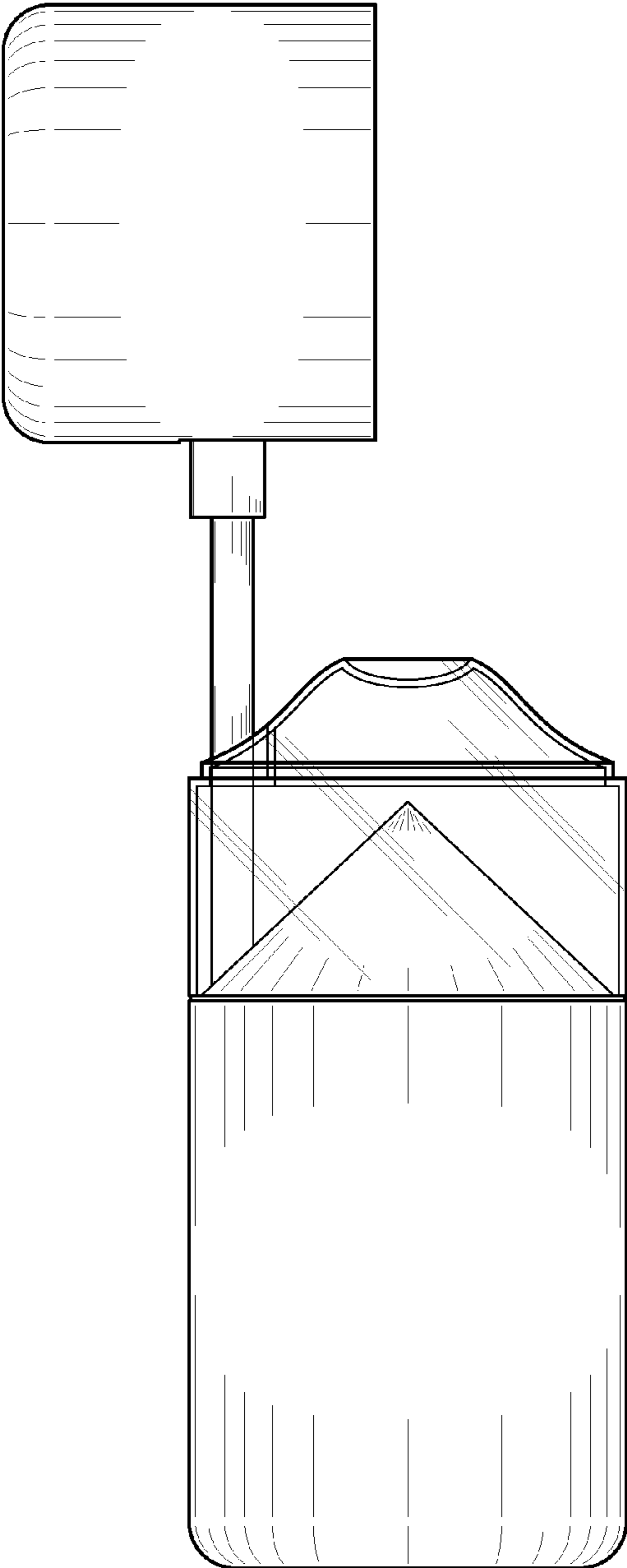


FIG. 4

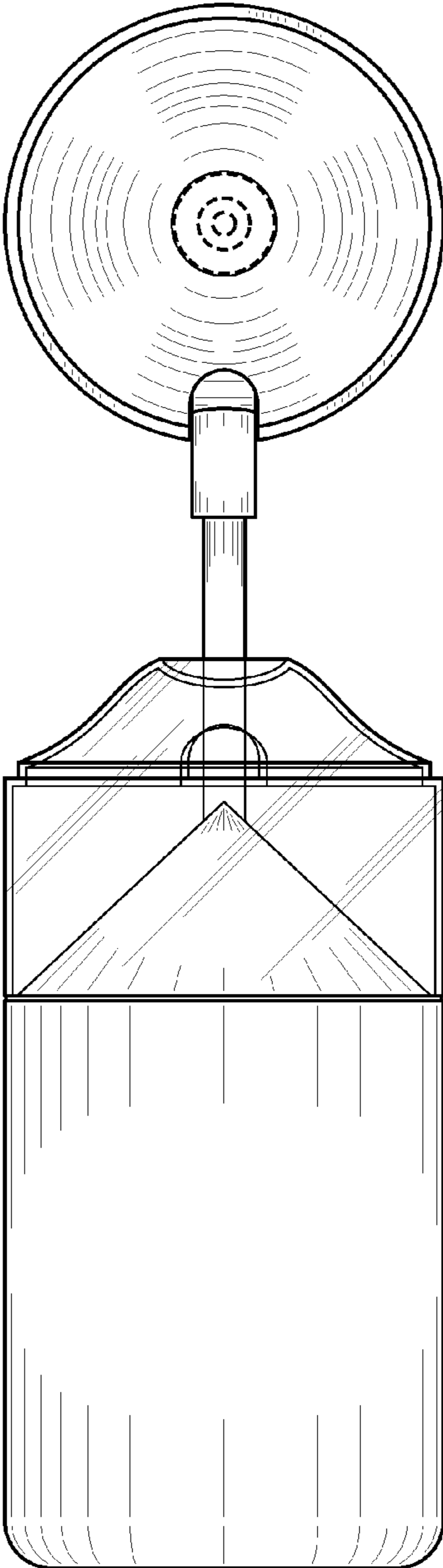


FIG. 5

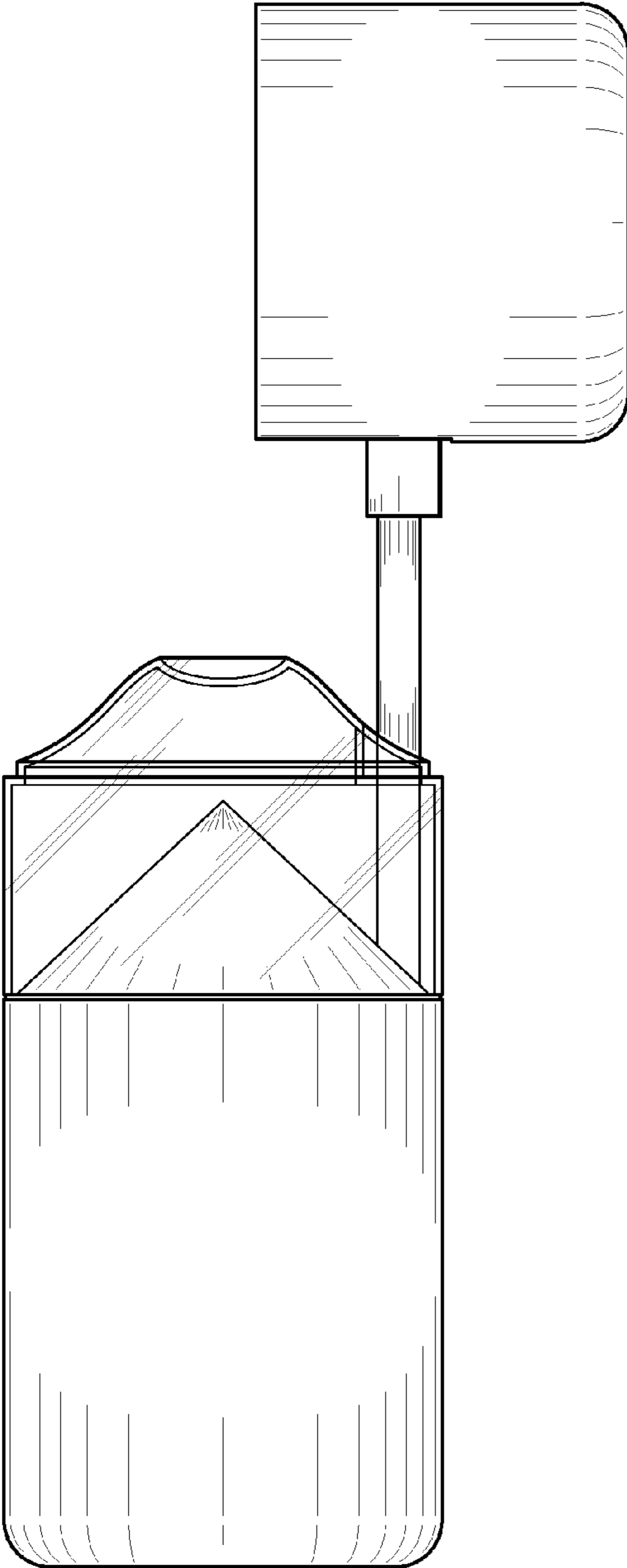


FIG. 6

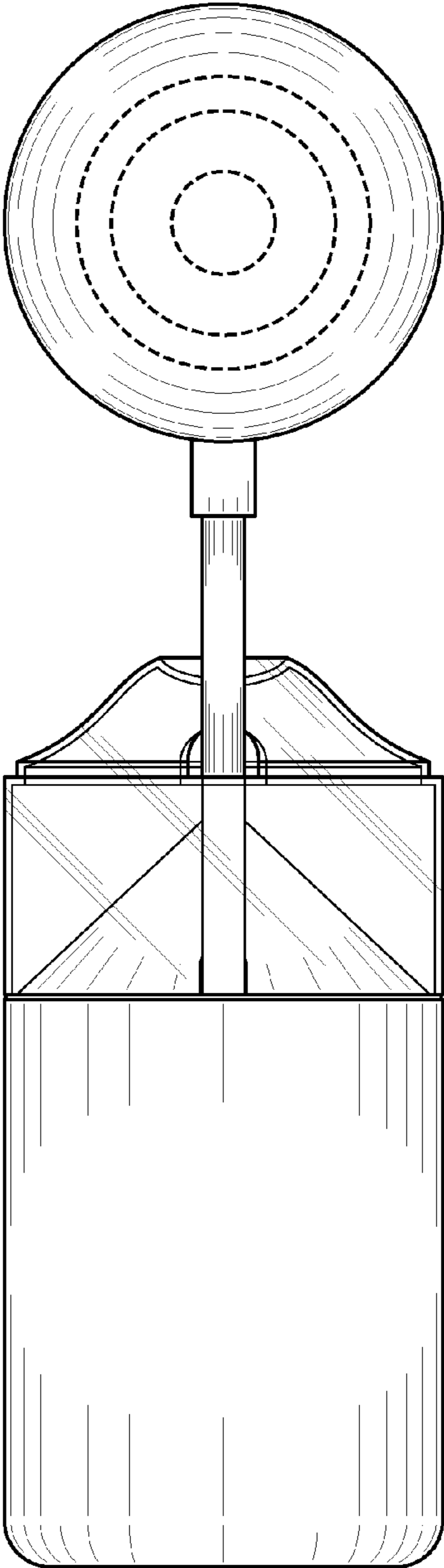


FIG. 7

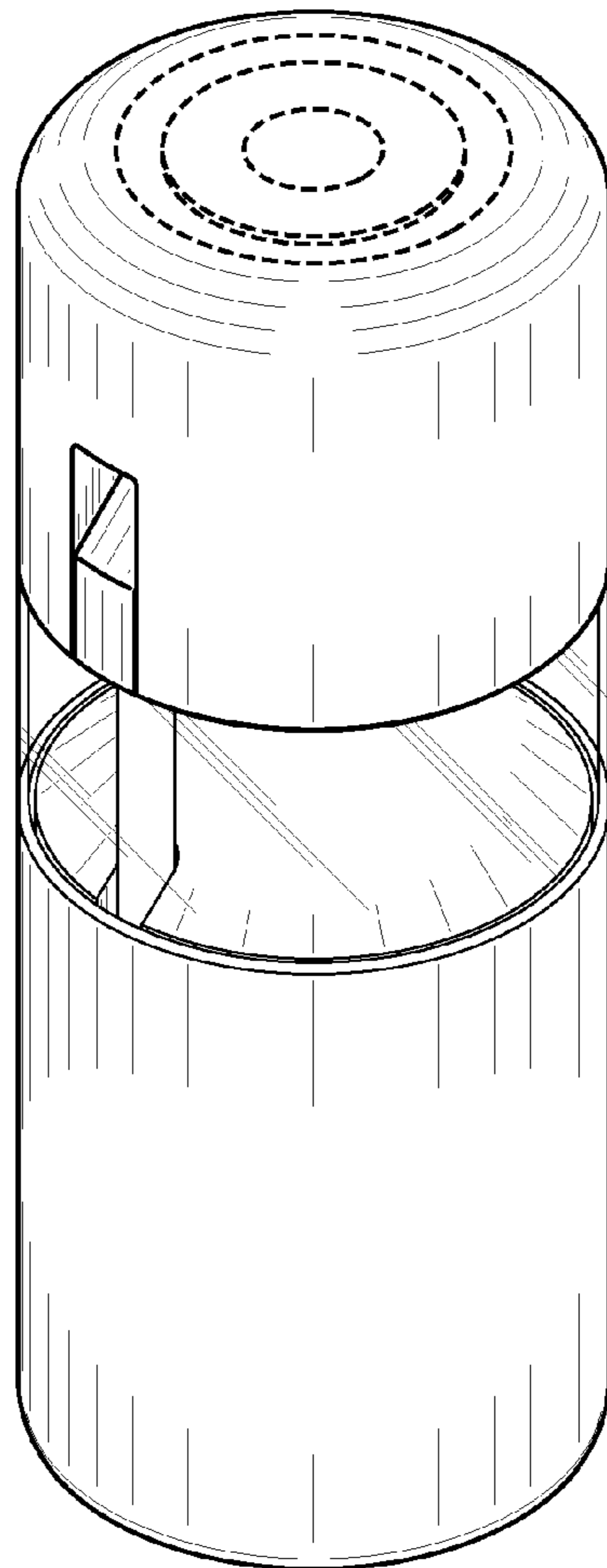


FIG. 8