

US00D675762S

(12) **United States Design Patent**
Binder et al.

(10) **Patent No.:** **US D675,762 S**

(45) **Date of Patent:** **** Feb. 5, 2013**

(54) **HEADLIGHT FOR A VEHICLE**

D587,637 S 3/2009 Pfeiffer
D588,499 S 3/2009 Pfeiffer
D599,044 S 8/2009 Pfeiffer
D599,922 S 9/2009 Pfeiffer

(75) Inventors: **Thomas Binder**, Stuttgart (DE); **Klaus Frenzel**, Winnenden (DE); **Hans-Dieter Futschik**, Gechingen (DE); **Stefan Handt**, Stuttgart (DE)

* cited by examiner

(73) Assignee: **Daimler AG**, Stuttgart (DE)

Primary Examiner — Marcus Jackson

(74) *Attorney, Agent, or Firm* — Crowell & Moring LLP

(**) Term: **14 Years**

(57) **CLAIM**

(21) Appl. No.: **29/431,892**

The ornamental design for a headlight for a vehicle, as shown and described.

(22) Filed: **Sep. 12, 2012**

DESCRIPTION

Related U.S. Application Data

(62) Division of application No. 29/347,923, filed on Aug. 4, 2010, now Pat. No. Des. 671,247.

This application contains subject matter related to the following co-pending U.S. design patent applications:

Application Ser. No. 29/347,486, filed Feb. 4, 2010 and issued Jul. 24, 2012 as U.S. Pat. No. D664,070; and

Application Ser. No. 29/347,488, filed Feb. 4, 2010 and issued Jul. 24, 2012 as U.S. Pat. No. D664,078.

(30) **Foreign Application Priority Data**

Apr. 14, 2010 (DE) 402010002139

FIG. 1 is a right perspective view of a first embodiment of a headlight for a vehicle according to our design;

(51) **LOC (9) Cl.** **26-06**

FIG. 2 is a front view thereof;

(52) **U.S. Cl.** **D26/28**

FIG. 3 is a right side view thereof; and

(58) **Field of Classification Search** D26/28-36;

FIG. 4 is a top view thereof.

362/459-468, 475-478, 485-487

FIG. 5 is a left perspective view of a second embodiment of the headlight for a vehicle according to our design, with the headlight for a vehicle for the opposite side of the vehicle being depicted in the first embodiment;

See application file for complete search history.

FIG. 6 is a front view thereof;

(56) **References Cited**

U.S. PATENT DOCUMENTS

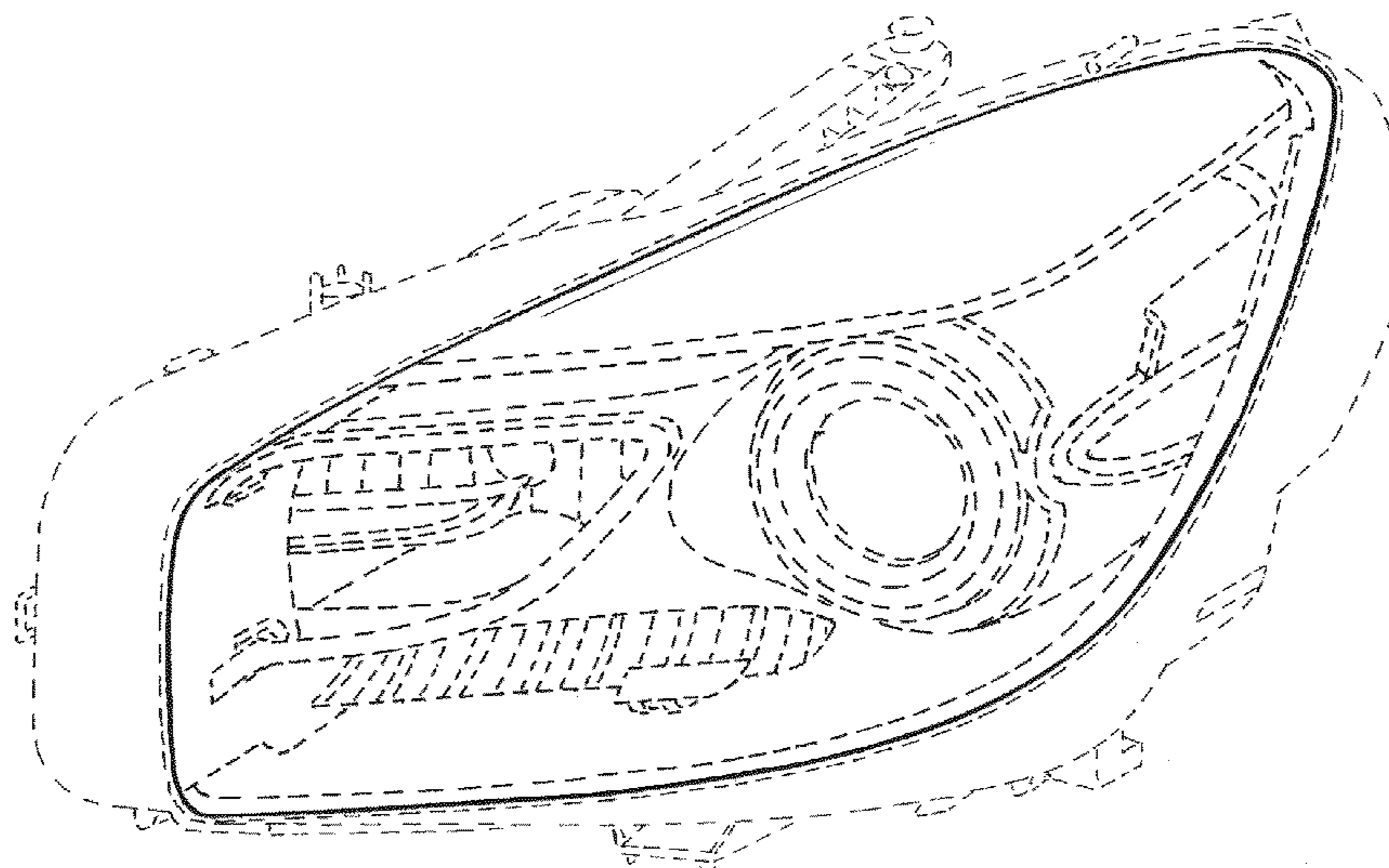
D528,681 S * 9/2006 Nakahara D26/28
D528,685 S * 9/2006 Yoshida D26/28
D544,114 S * 6/2007 Ohta D26/28
D544,614 S * 6/2007 Markefka D26/28
D549,857 S * 8/2007 Lin D26/28
D561,358 S * 2/2008 Tachibana D26/28

FIG. 7 is a left side view thereof; and,

FIG. 8 is a top view thereof.

The broken lines are for illustrative purposes only and form no part of the claimed design.

1 Claim, 4 Drawing Sheets



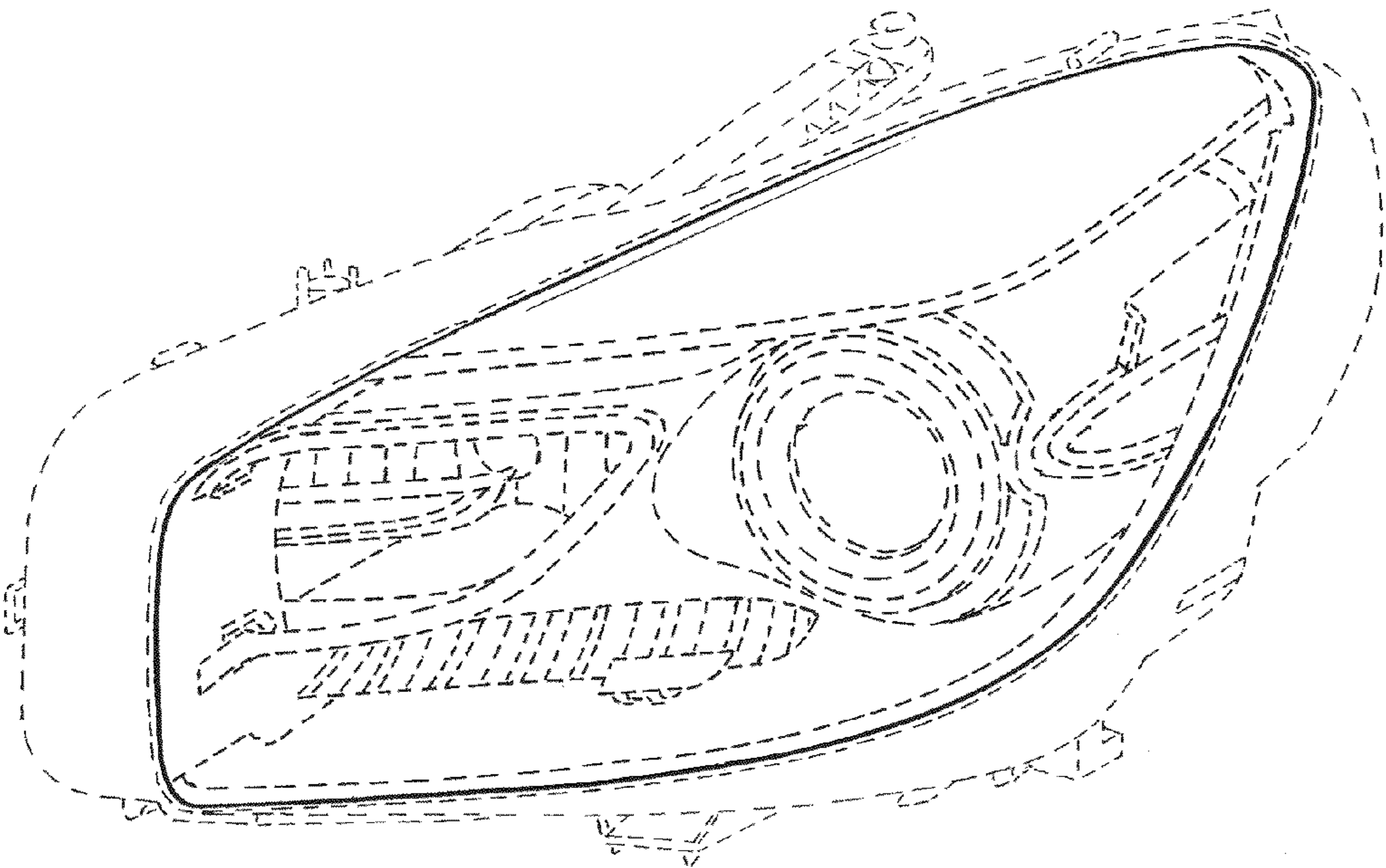


FIG. 1

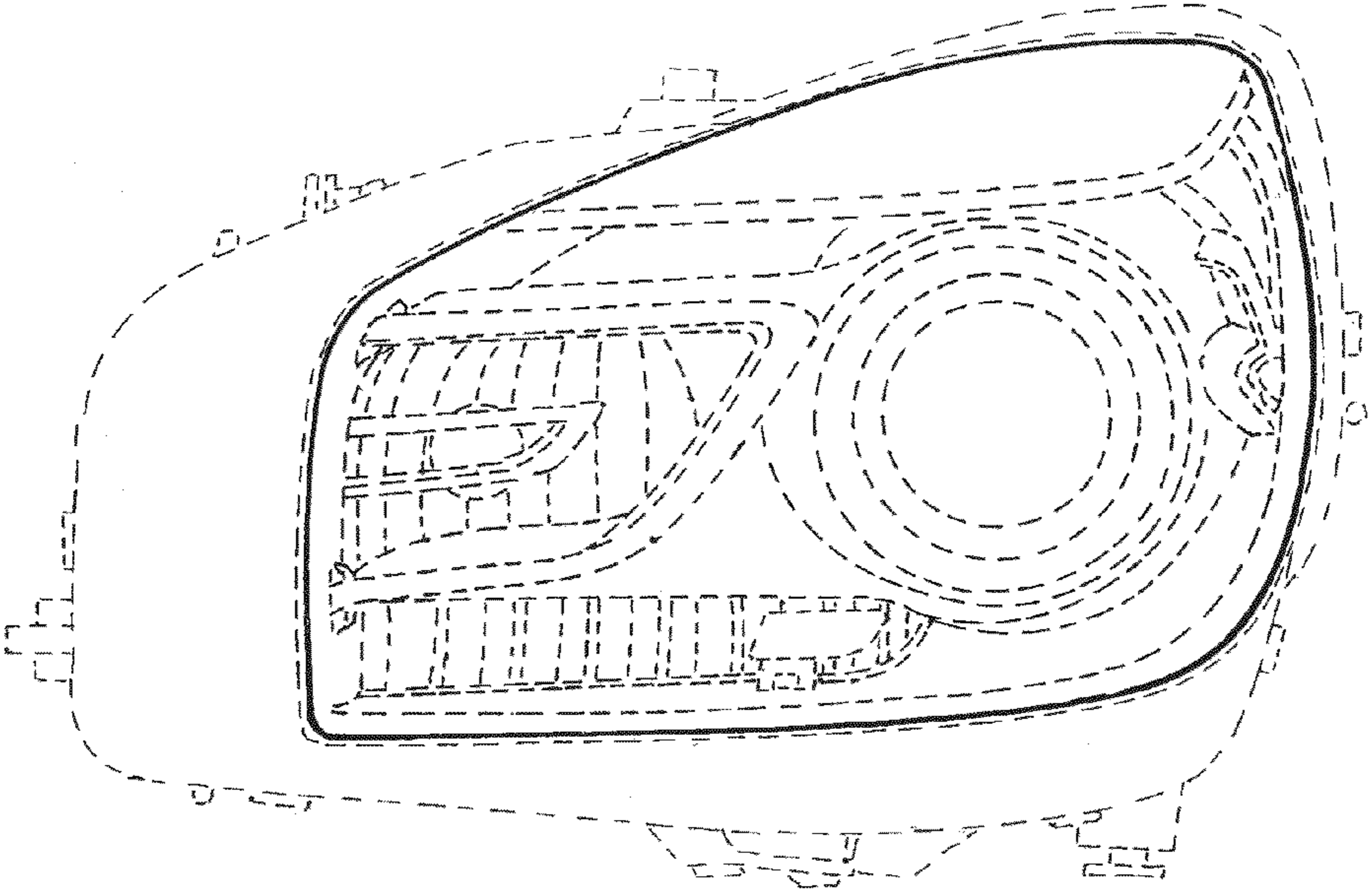


FIG. 2

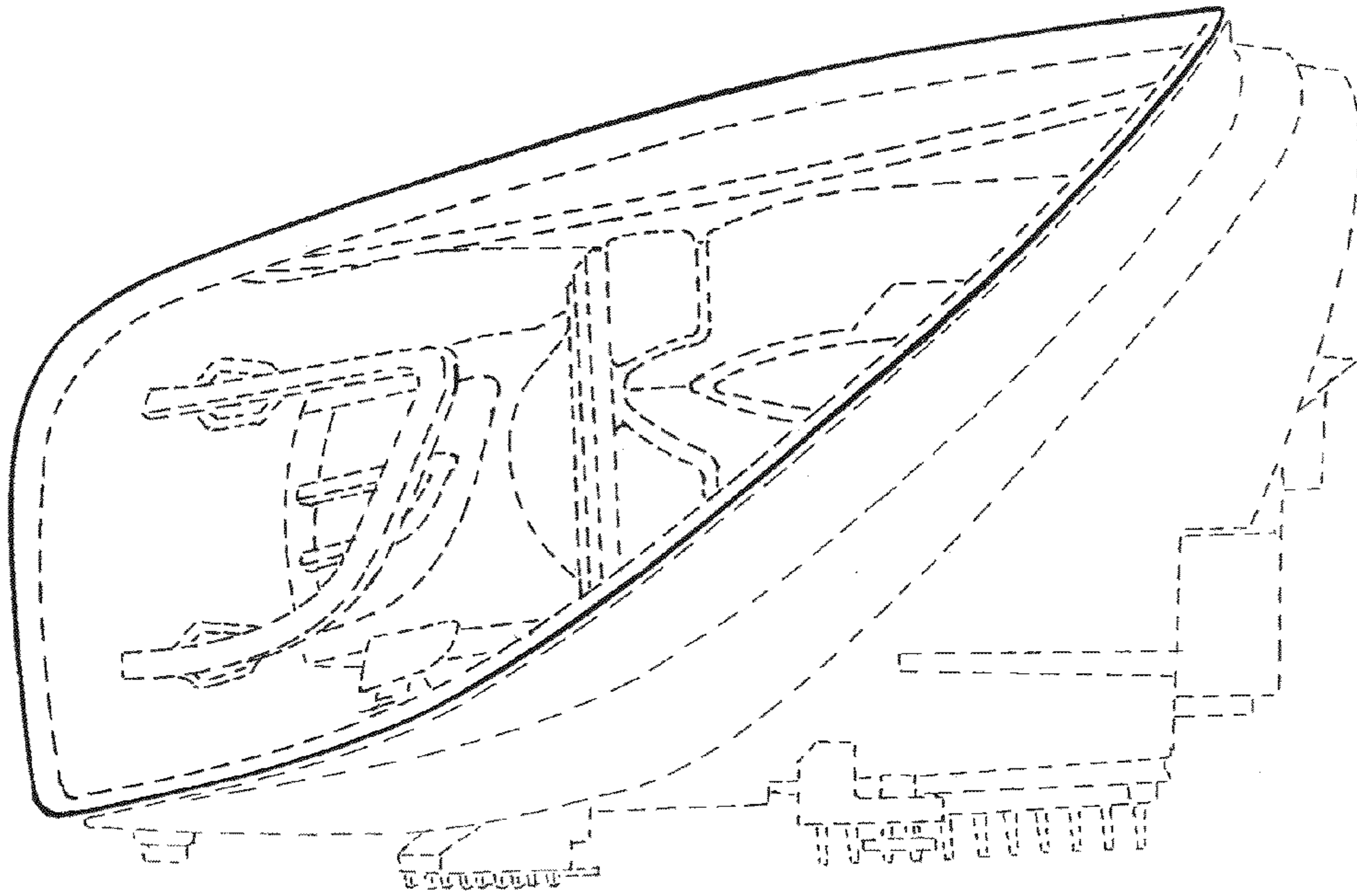


FIG. 3

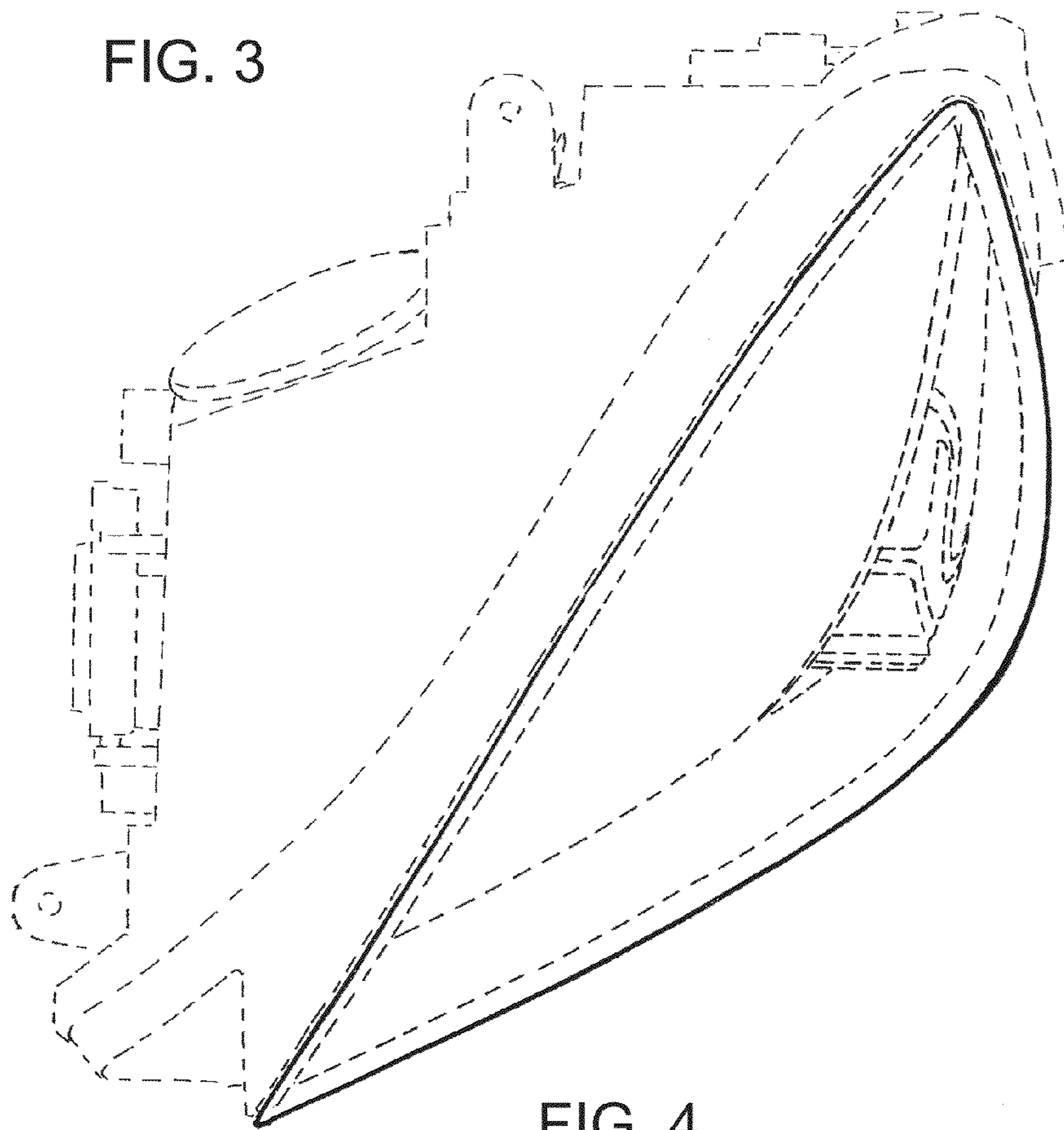


FIG. 4

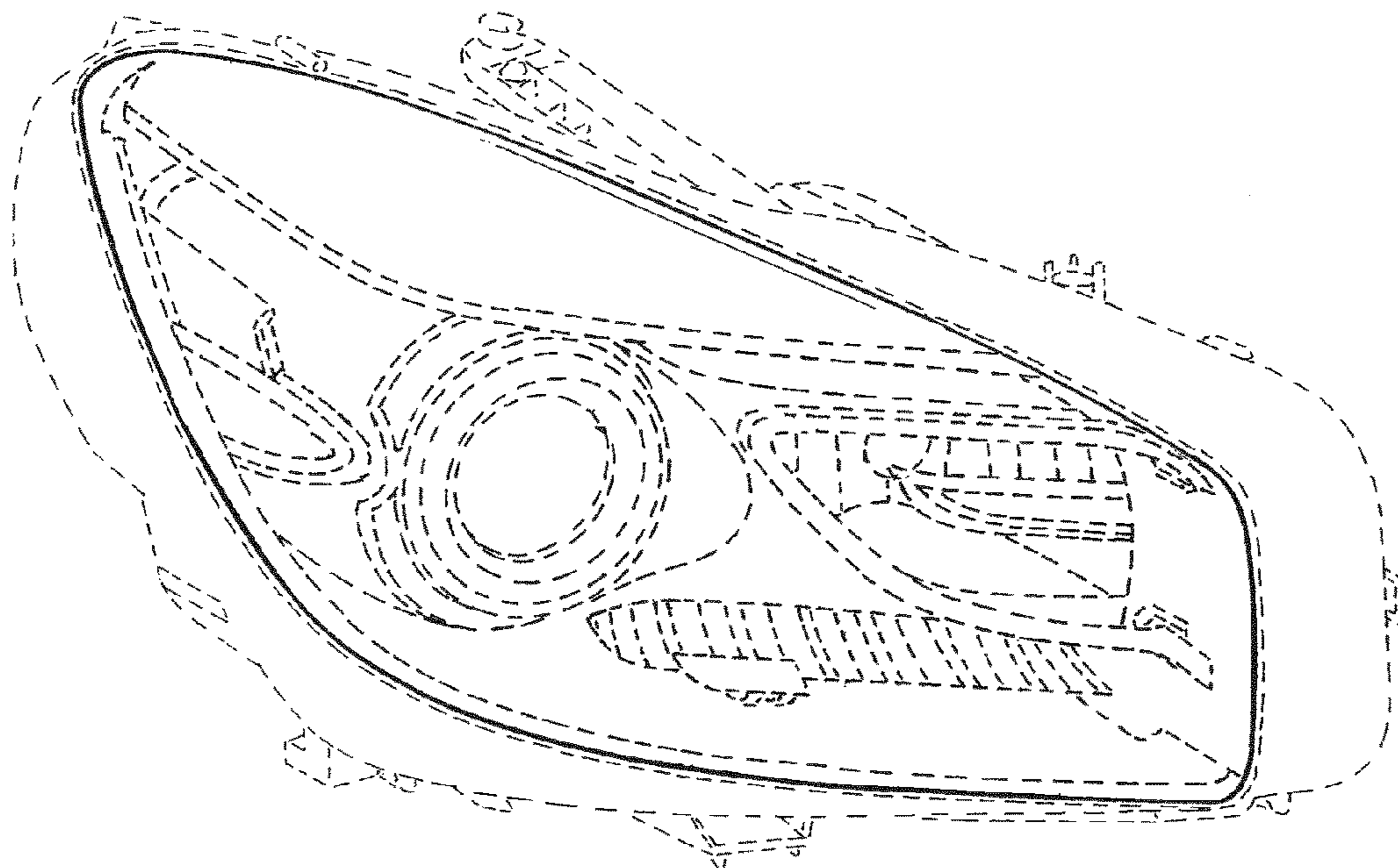


FIG. 5

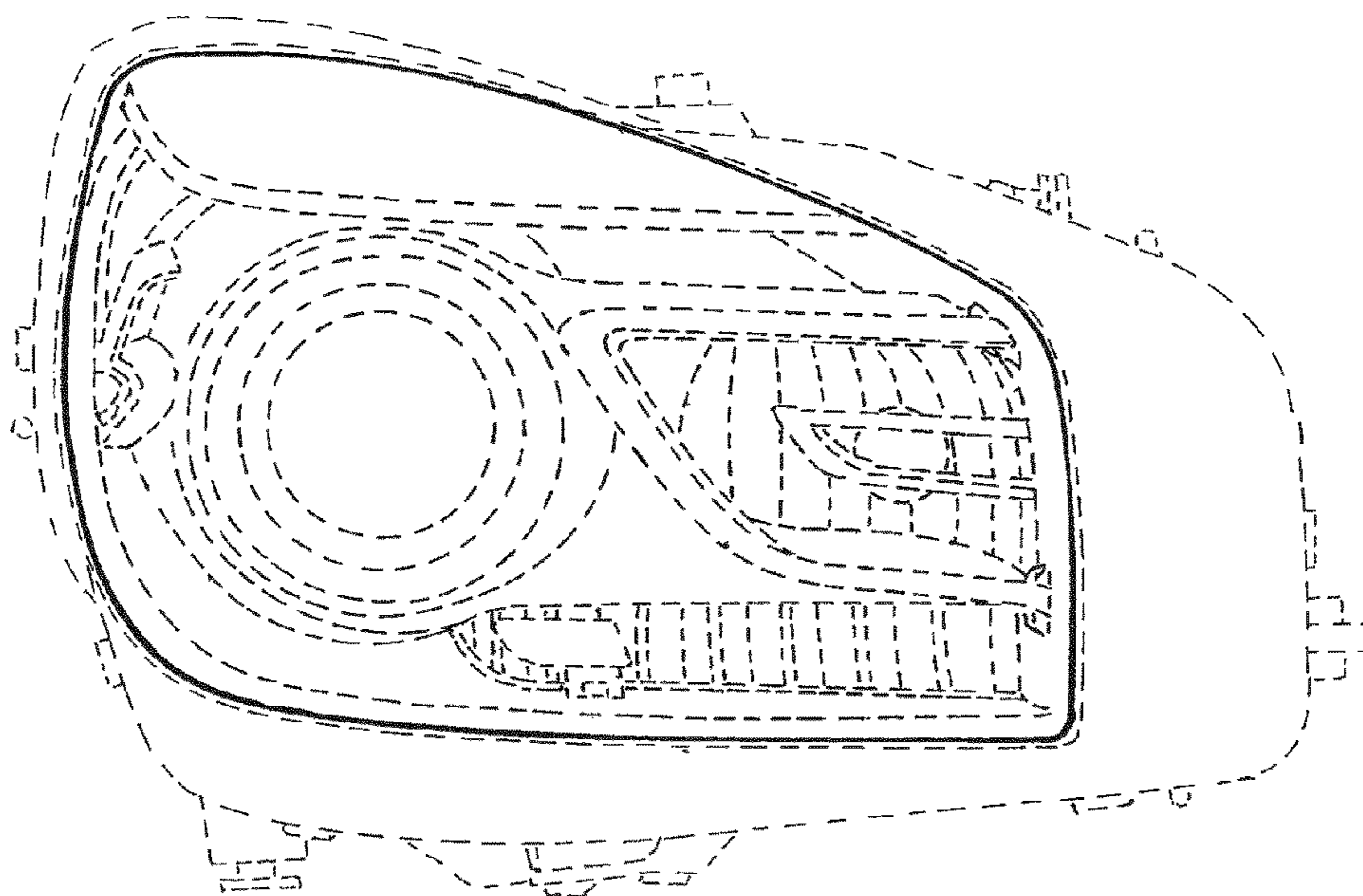


FIG. 6

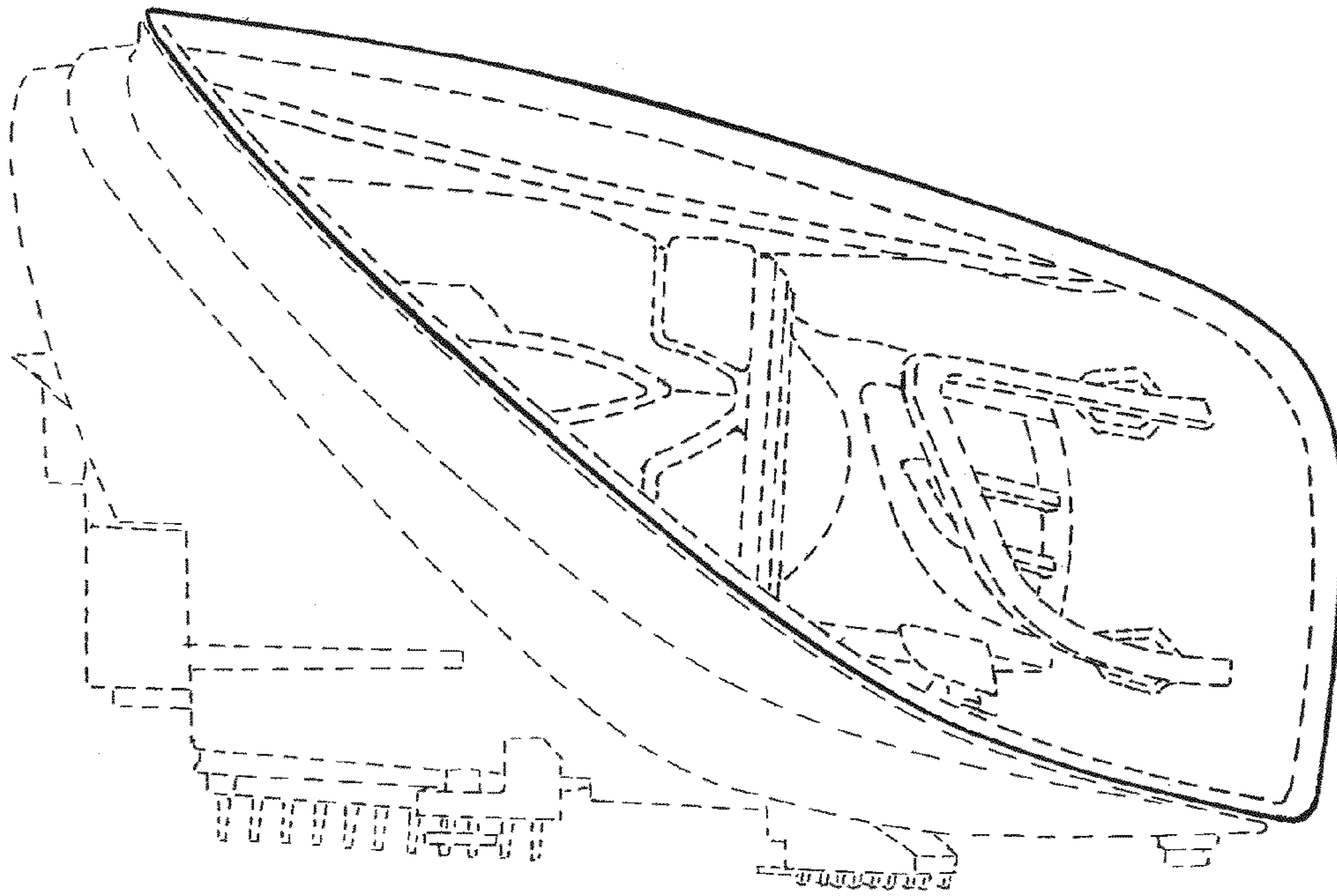


FIG. 7

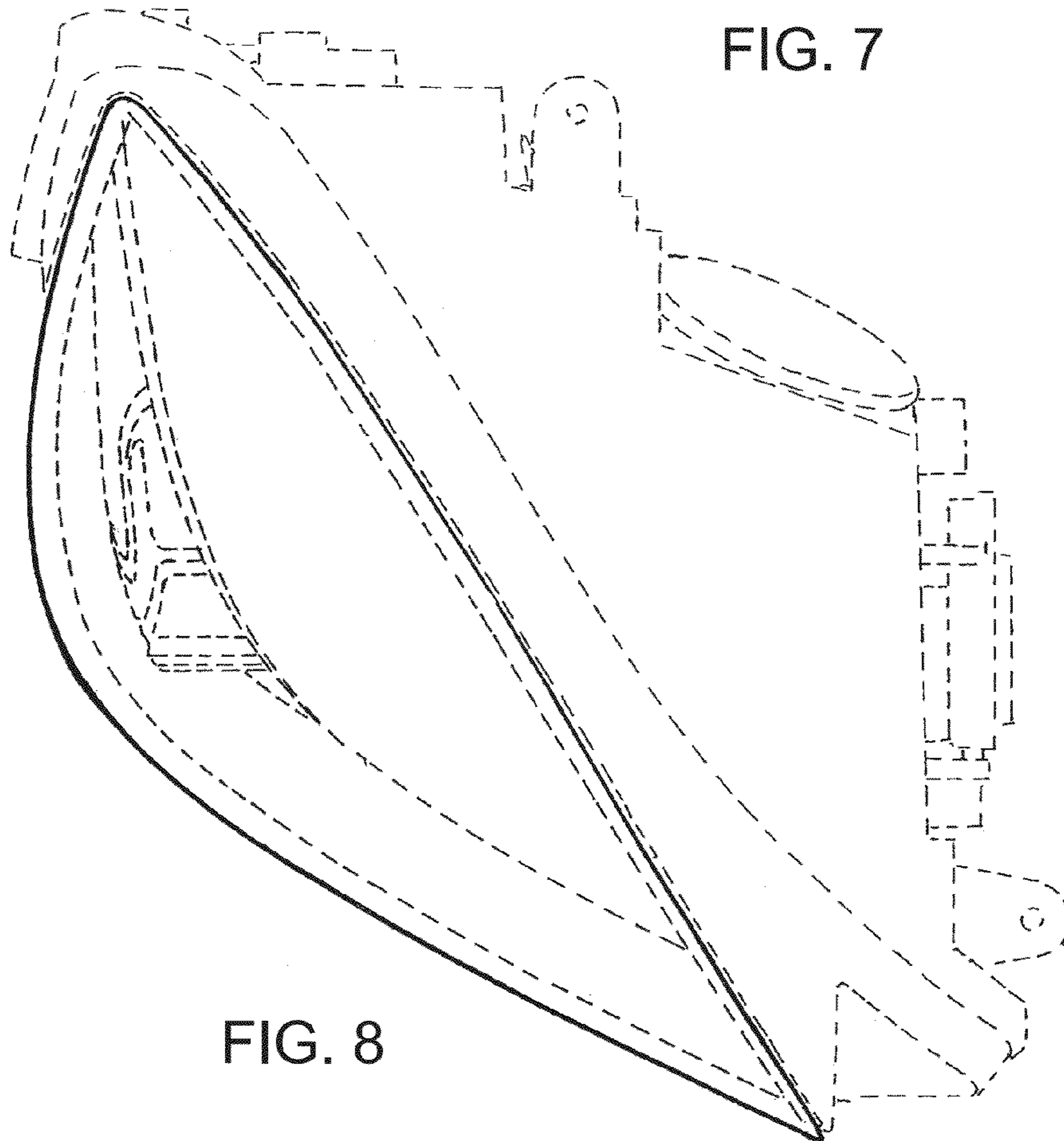


FIG. 8