



US00D675761S

(12) **United States Design Patent**  
**Frenzel et al.**

(10) **Patent No.:** **US D675,761 S**

(45) **Date of Patent:** **\*\* Feb. 5, 2013**

(54) **HEADLIGHT FOR A VEHICLE**

D560,291 S 1/2008 Koyama  
D561,358 S \* 2/2008 Tachibana ..... D26/28  
D634,867 S 3/2011 Frenzel et al.

(75) Inventors: **Klaus Frenzel**, Winnenden (DE);  
**Hans-Dieter Futschik**, Gechingen (DE);  
**Stefan Handt**, Stuttgart (DE); **Gorden**  
**Wagener**, Stuttgart (DE); **Juergen**  
**Wiesen**, Aidlingen (DE)

\* cited by examiner

*Primary Examiner* — Marcus Jackson

(74) *Attorney, Agent, or Firm* — Crowell & Moring LLP

(73) Assignee: **Daimler AG**, Stuttgart (DE)

(57) **CLAIM**

The ornamental design for a headlight for a vehicle, as shown and described.

(\*\*) Term: **14 Years**

(21) Appl. No.: **29/431,771**

**DESCRIPTION**

(22) Filed: **Sep. 11, 2012**

**Related U.S. Application Data**

(62) Division of application No. 29/371,271, filed on Dec. 16, 2010.

This application contains subject matter related to the following co-pending U.S. design patent applications:

Application Ser. No. 29/371,267, filed Dec. 16, 2010 and issued Dec. 13, 2011 as U.S. Pat. No. D650,312;

Application Ser. No. 29/371,268, filed Dec. 16, 2010 and issued May 1, 2012 as U.S. Pat. No. D658,552;

Application Ser. No. 29/371,272, filed Dec. 16, 2010 and issued Apr. 17, 2012 as U.S. Pat. No. D657,894; and

Application Ser. No. 29/371,273, filed Dec. 16, 2010 issued May 22, 2012 as U.S. Pat. No. D660,473.

(30) **Foreign Application Priority Data**

Jun. 30, 2010 (DE) ..... 402010003490

(51) **LOC (9) Cl.** ..... **26-06**

(52) **U.S. Cl.** ..... **D26/28**

(58) **Field of Classification Search** ..... D26/28-36;  
362/459-468, 475-478, 485-487

See application file for complete search history.

FIG. 1 is a right perspective view of a first embodiment of a headlight for a vehicle according to our design;

FIG. 2 is a right side view thereof;

FIG. 3 is a front view thereof; and

FIG. 4 is a top view thereof.

FIG. 5 is a left perspective view of a second embodiment of the headlight for a vehicle according to our design, with the headlight for a vehicle for the opposite side of the vehicle being depicted in the first embodiment;

FIG. 6 is a left side view thereof;

FIG. 7 is a front view thereof; and,

FIG. 8 is a top view thereof.

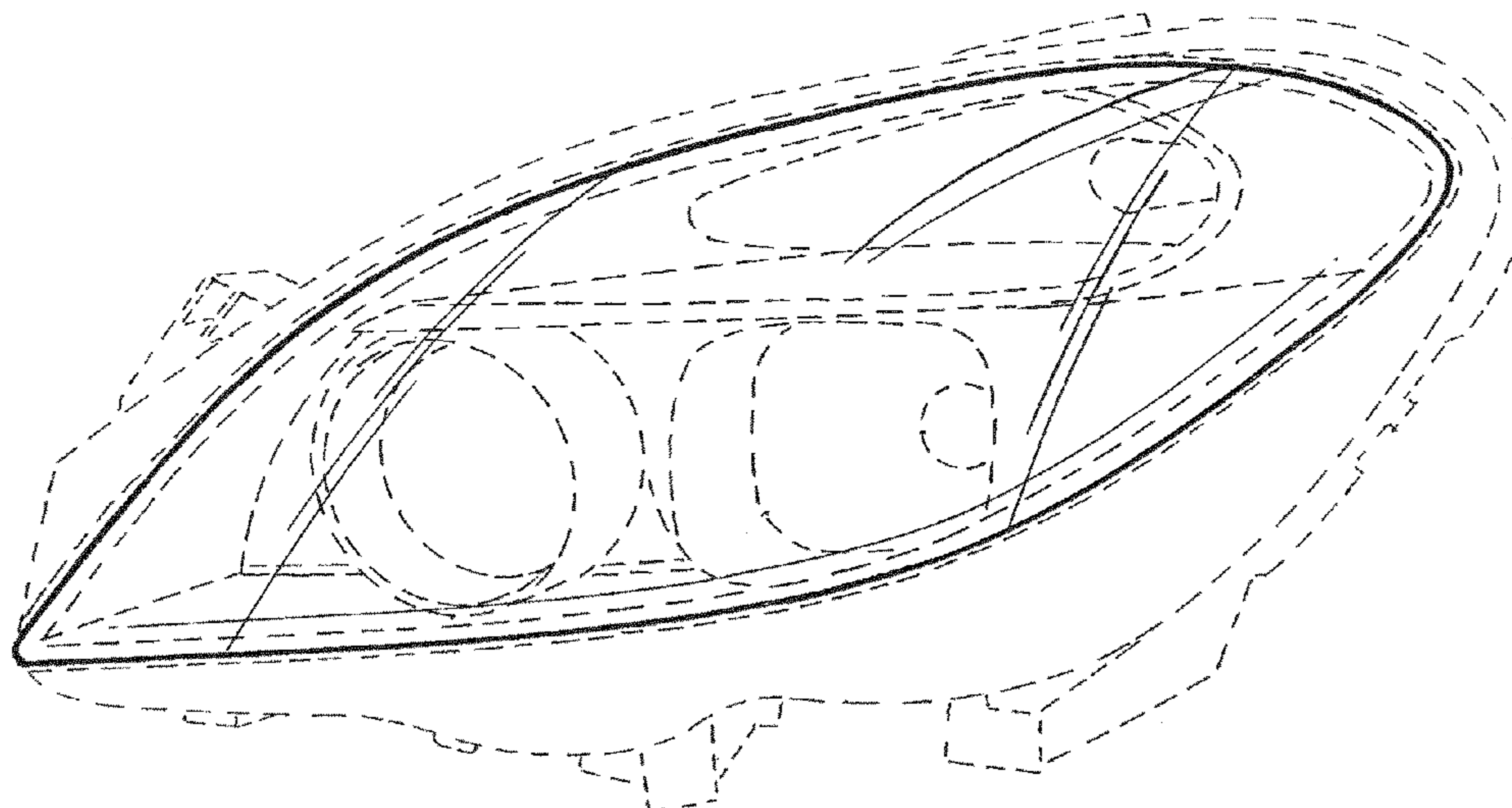
The broken lines are for illustrative purposes only and form no part of the claimed design.

(56) **References Cited**

**U.S. PATENT DOCUMENTS**

D508,136 S 8/2005 Pfeiffer  
D511,716 S 11/2005 Pfeiffer  
D528,681 S \* 9/2006 Nakahara ..... D26/28  
D528,685 S \* 9/2006 Yoshida ..... D26/28  
D544,114 S \* 6/2007 Ohta ..... D26/28  
D544,614 S \* 6/2007 Markefka ..... D26/28  
D549,857 S \* 8/2007 Lin ..... D26/28  
D556,349 S 11/2007 Golden et al.

**1 Claim, 4 Drawing Sheets**



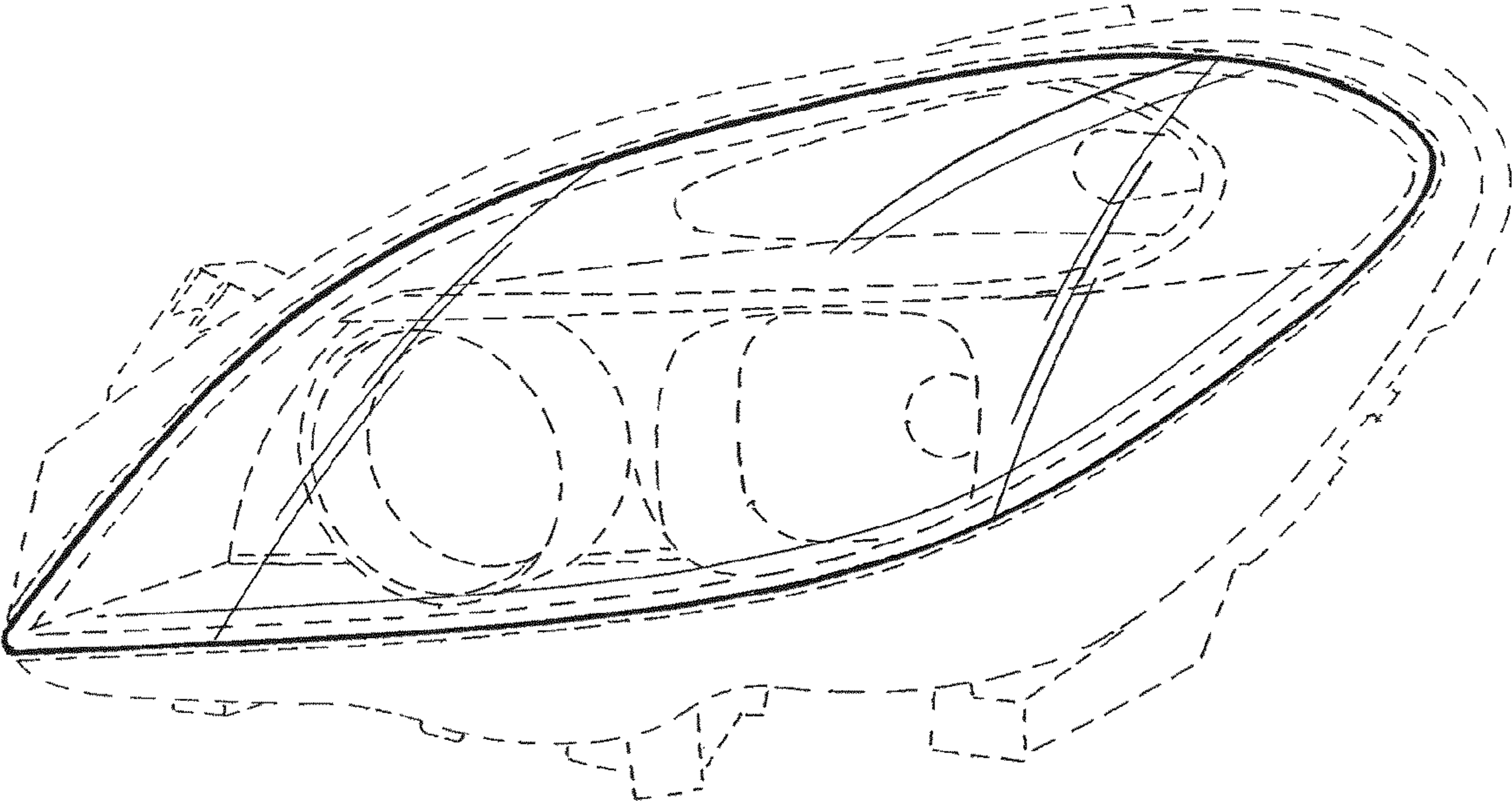


FIG. 1

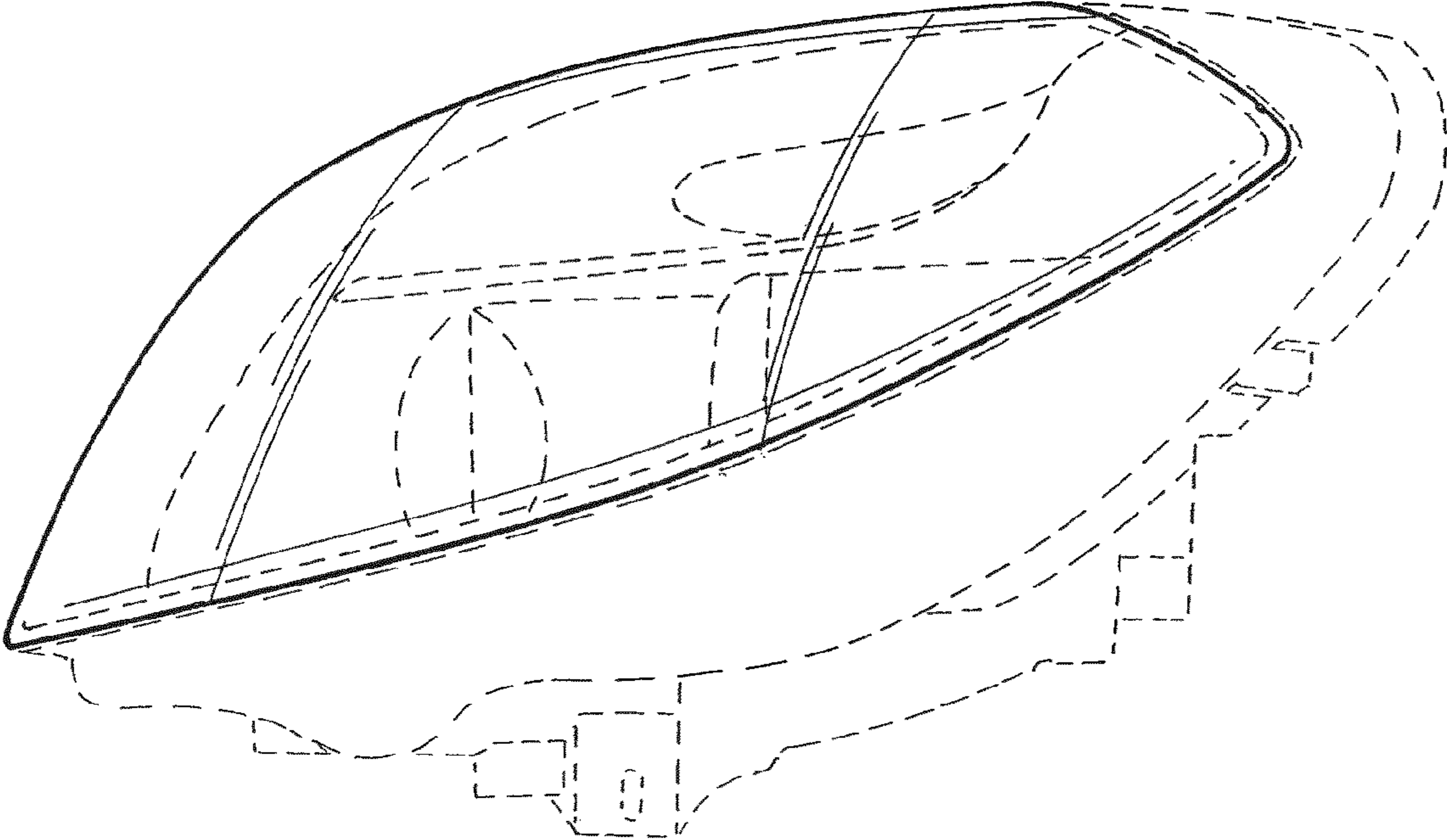


FIG. 2

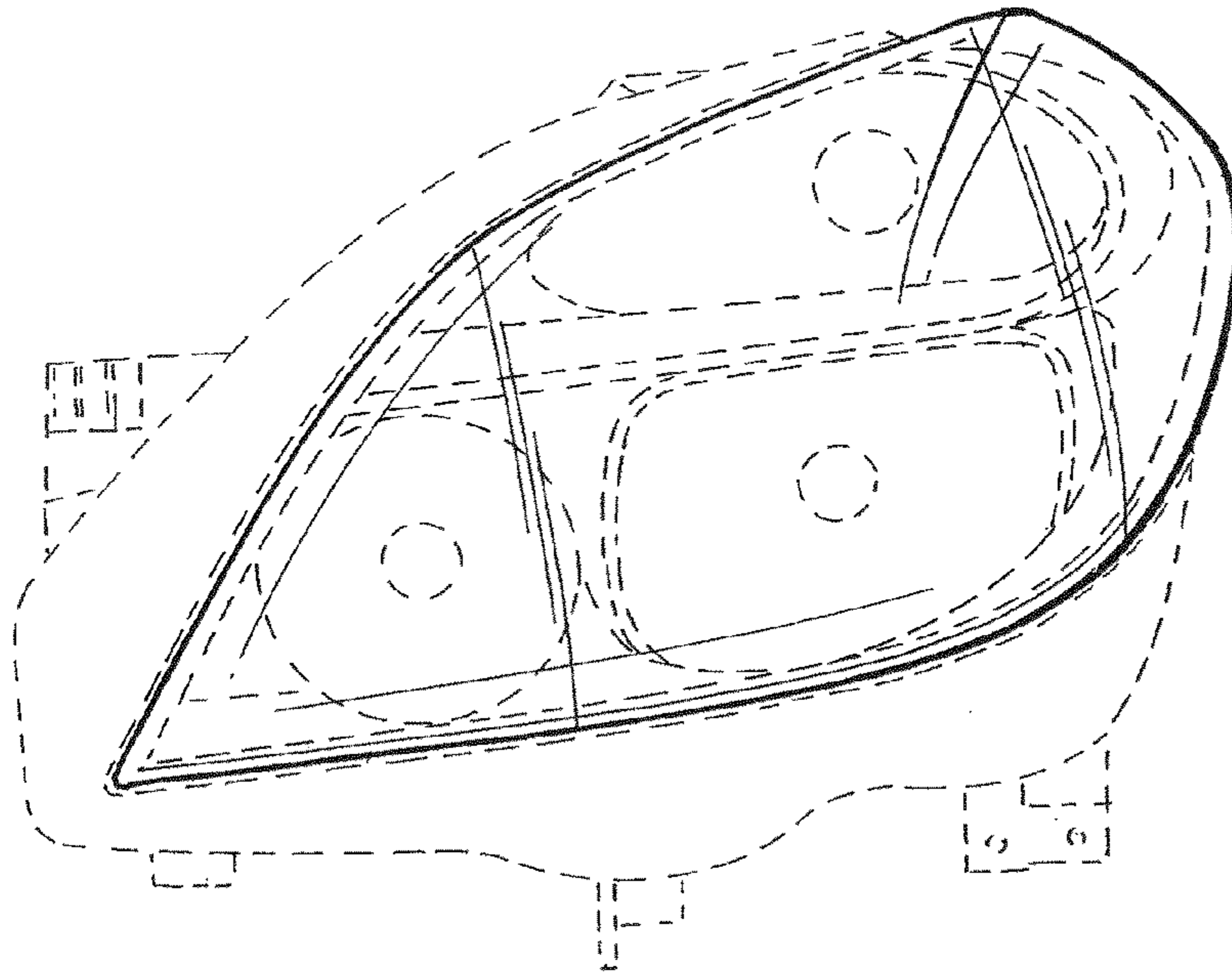


FIG. 3

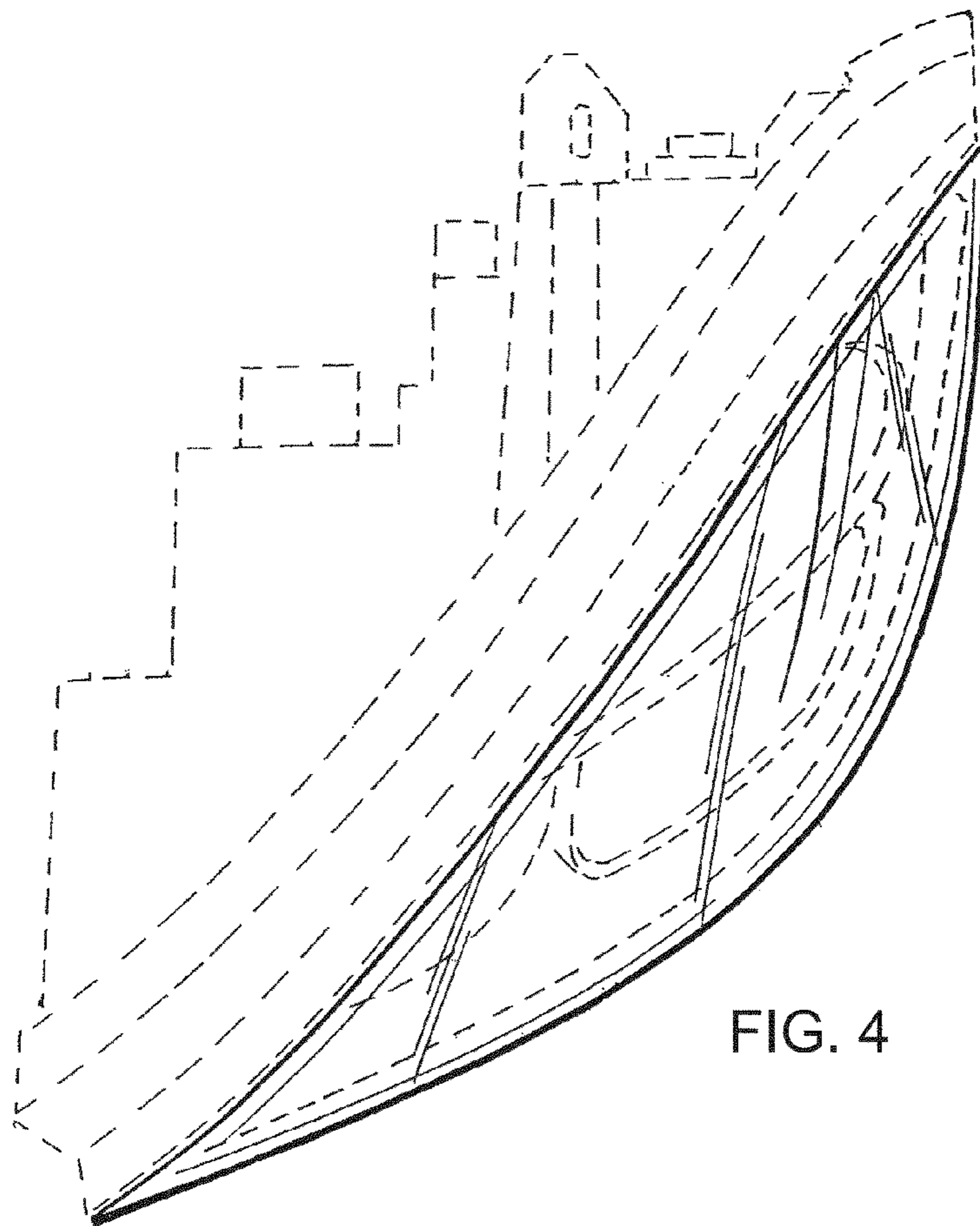


FIG. 4

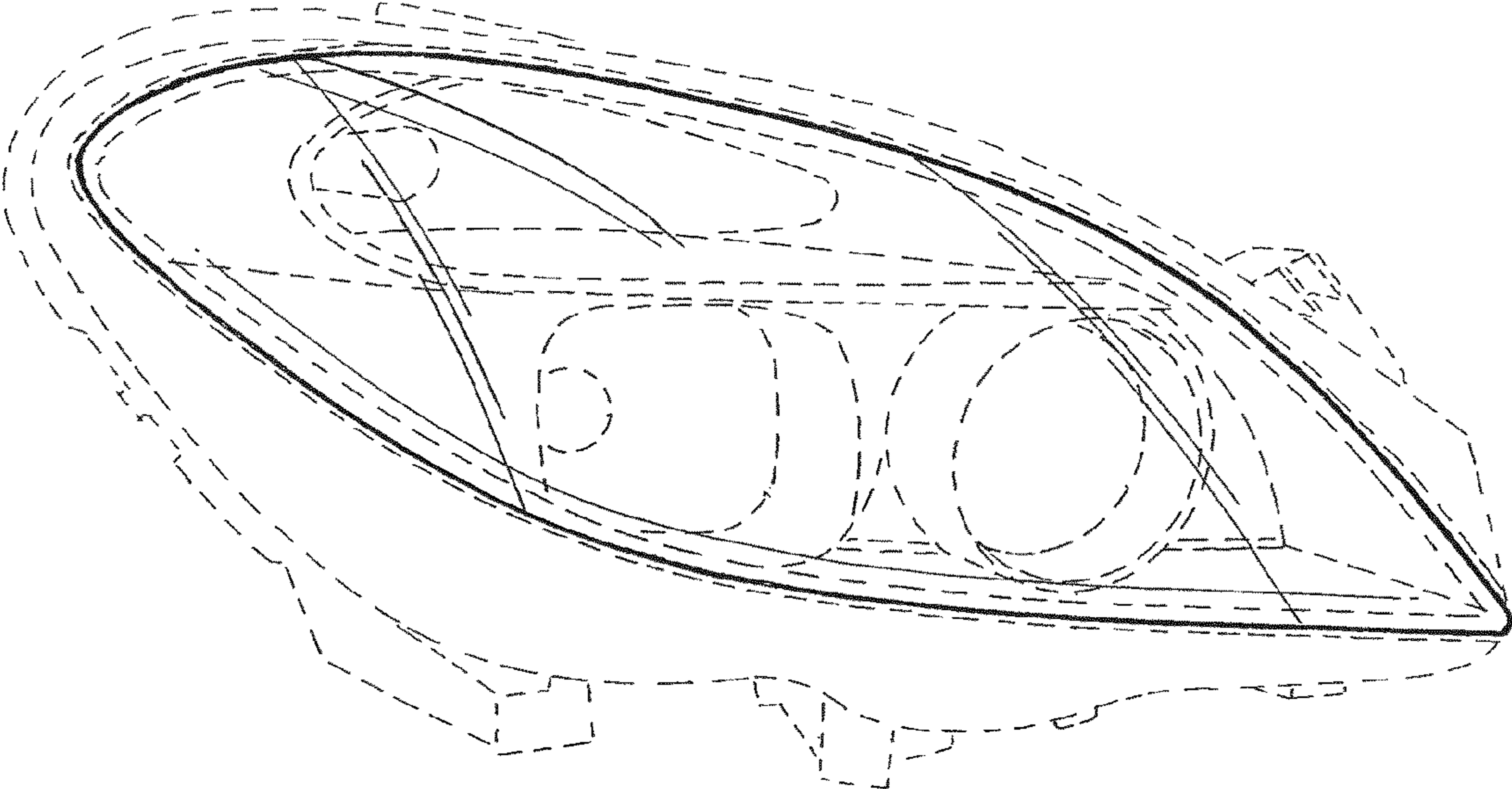


FIG. 5

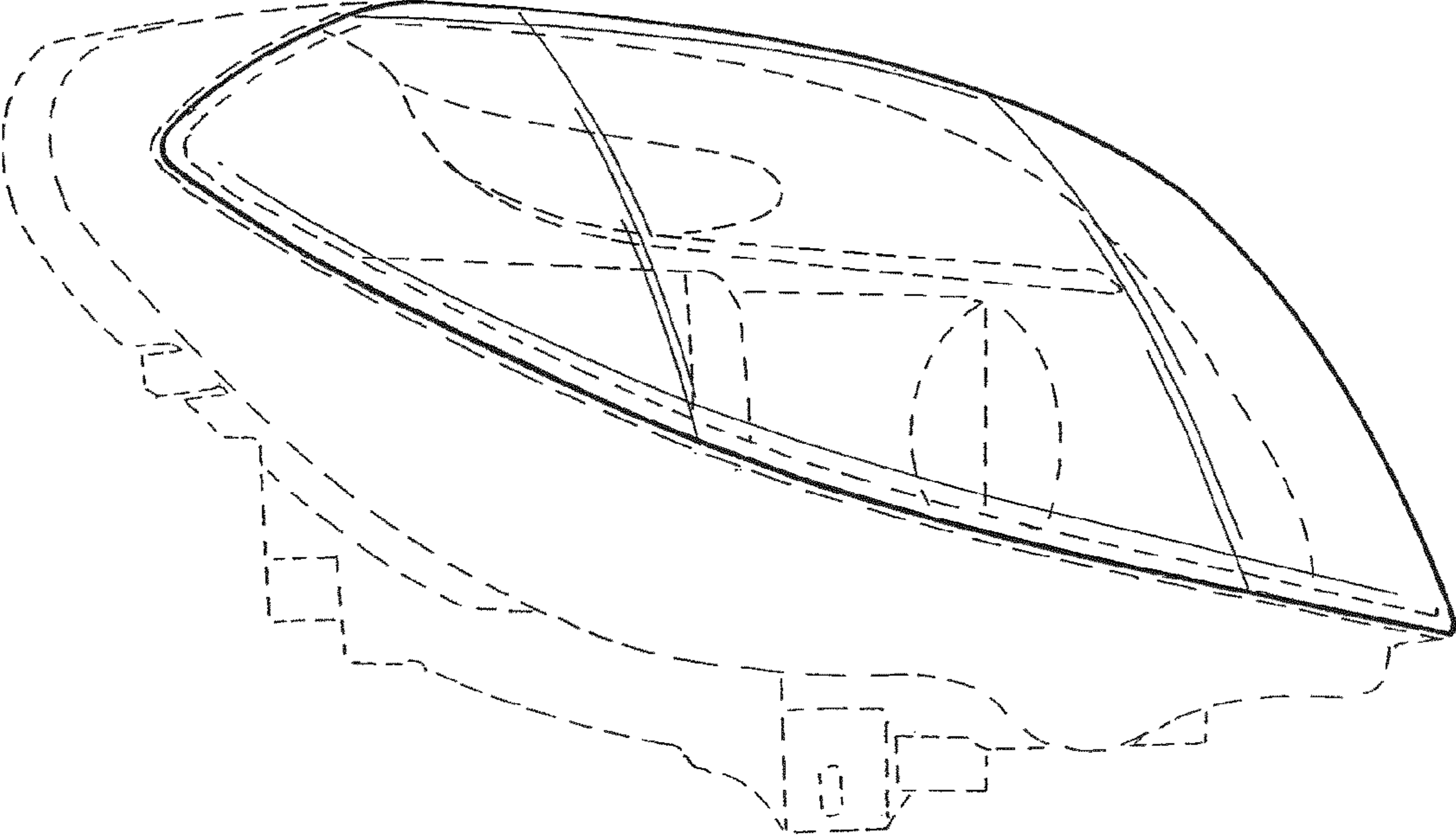


FIG. 6

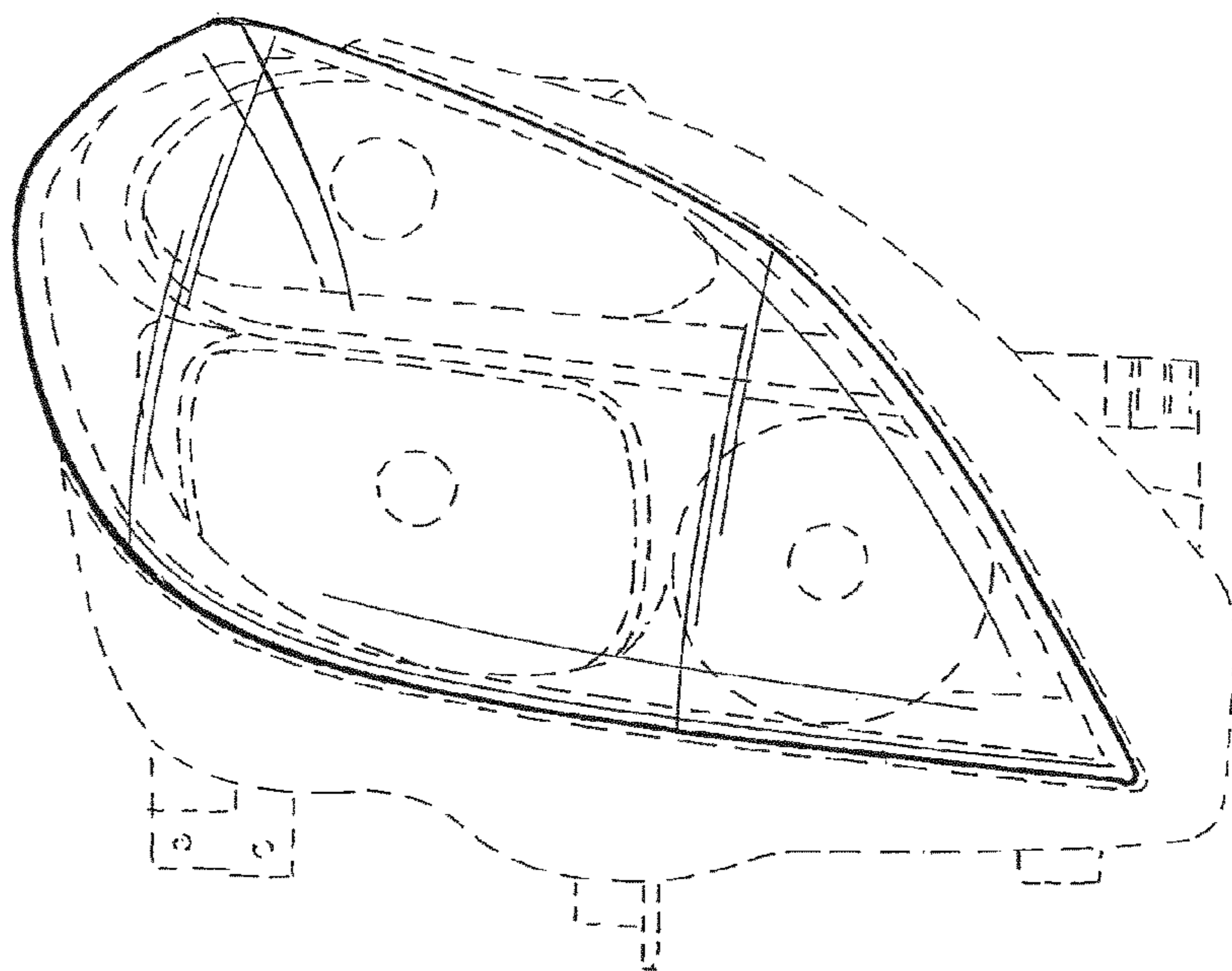


FIG. 7

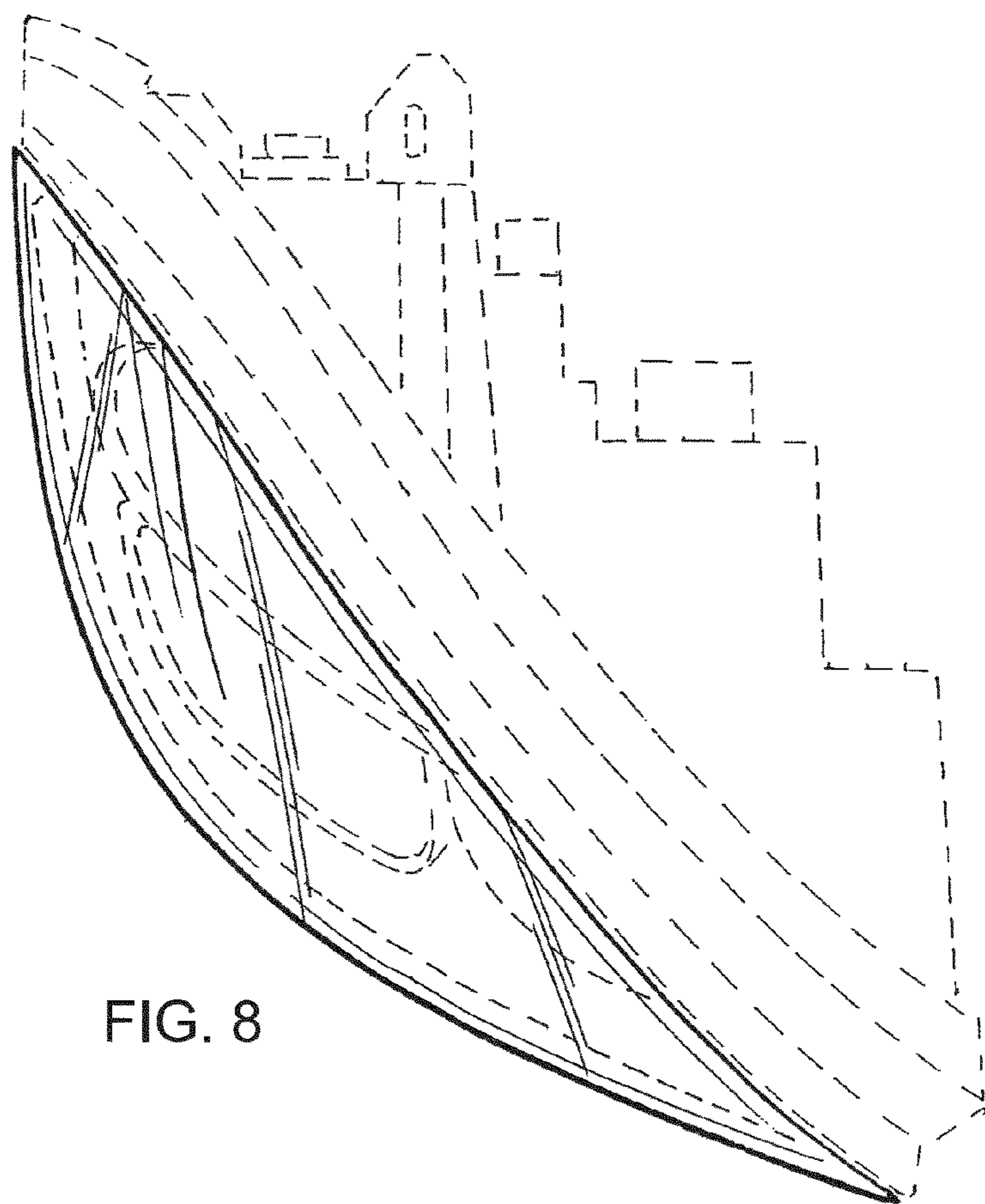


FIG. 8