



US00D675758S

(12) **United States Design Patent**
Adams

(10) **Patent No.:** **US D675,758 S**

(45) **Date of Patent:** **** Feb. 5, 2013**

(54) **VEHICLE LED LIGHTING FIXTURE**

(75) Inventor: **Stephen Adams**, Mesa, AZ (US)

(73) Assignee: **JST Performance Inc.**, Mesa, AZ (US)

(**) Term: **14 Years**

(21) Appl. No.: **29/402,186**

(22) Filed: **Sep. 21, 2011**

(51) **LOC (9) Cl.** **26-06**

(52) **U.S. Cl.** **D26/28**

(58) **Field of Classification Search** D26/28-36;
362/459-468, 475-478, 485-487

See application file for complete search history.

(56) **References Cited**

U.S. PATENT DOCUMENTS

D490,172 S *	5/2004	Yamamoto	D26/28
D554,279 S *	10/2007	Jeffries	D26/28
D564,683 S *	3/2008	Roach et al.	D26/28
D570,009 S *	5/2008	Kani et al.	D26/28
D574,978 S *	8/2008	Hyodo et al.	D26/28

* cited by examiner

Primary Examiner — Marcus Jackson

(74) *Attorney, Agent, or Firm* — Marcus C. Dawes; Daniel L. Dawes

(57) **CLAIM**

The ornamental design for a vehicle LED lighting fixture, as shown and described.

DESCRIPTION

FIG. 1 is a perspective view of a vehicle LED lighting fixture of the present invention, labeled for ease of orientation of the various drawings with the view designations. The vehicle LED lighting fixture comprises a housing with a lens or face plate and a plurality of LEDs and reflectors with associated electronics mounted in the housing. The size of the vehicle LED lighting fixture and the means used for mounting may be varied without substantially departing from the ornamental appearance of the vehicle LED lighting fixture.

FIG. 2 is a plan elevational view of the front of the vehicle LED lighting fixture of FIG. 1.

FIG. 3 is a side view of the right side of the vehicle LED lighting fixture of FIG. 1.

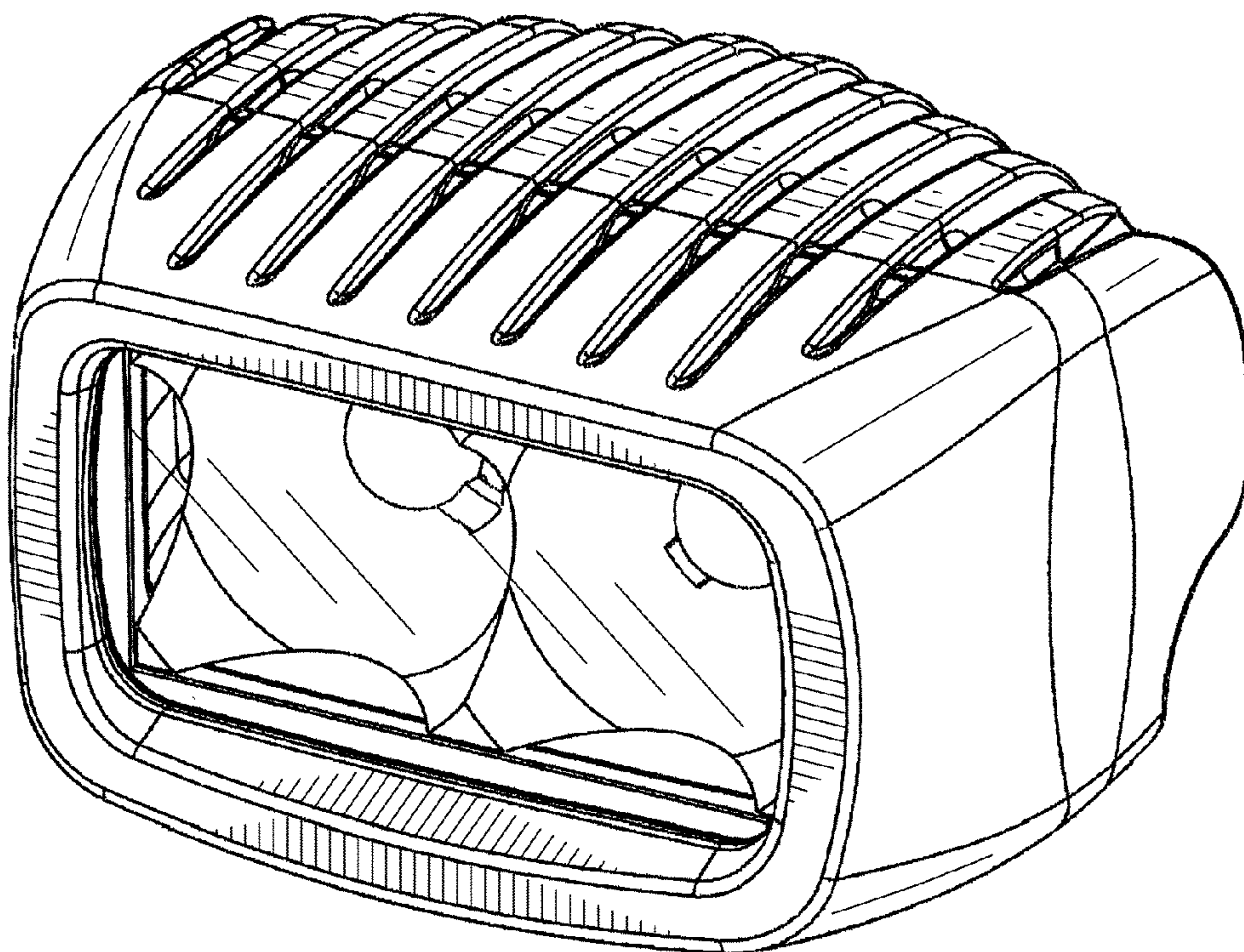
FIG. 4 is a top view of the vehicle LED lighting fixture of FIG. 1.

FIG. 5 is a side view of the left side of the vehicle LED lighting fixture of FIG. 1.

FIG. 6 is a plan elevational view of the back side of the vehicle LED lighting fixture of FIG. 1; and,

FIG. 7 is a bottom view of the vehicle LED lighting fixture of FIG. 1.

1 Claim, 4 Drawing Sheets



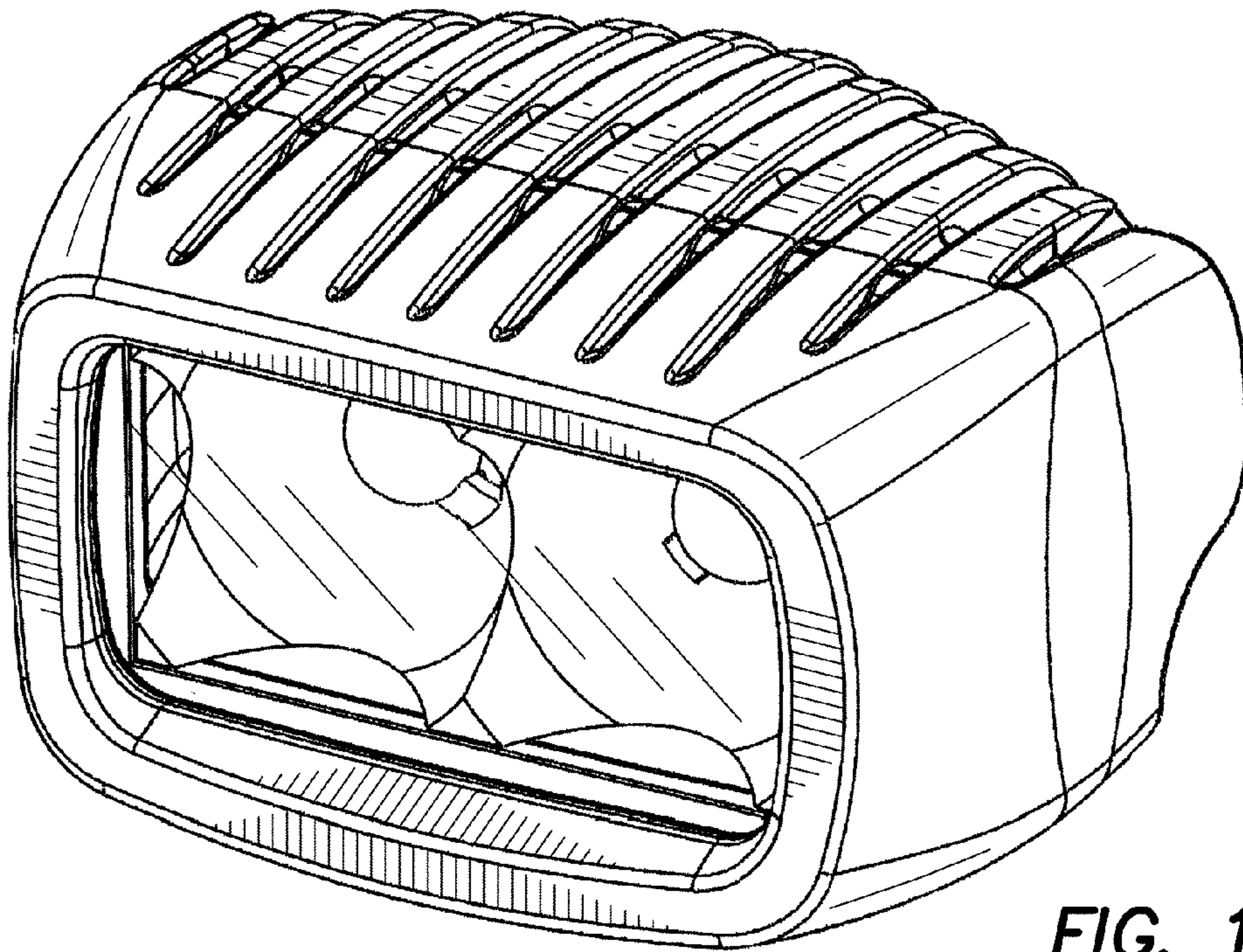


FIG. 1

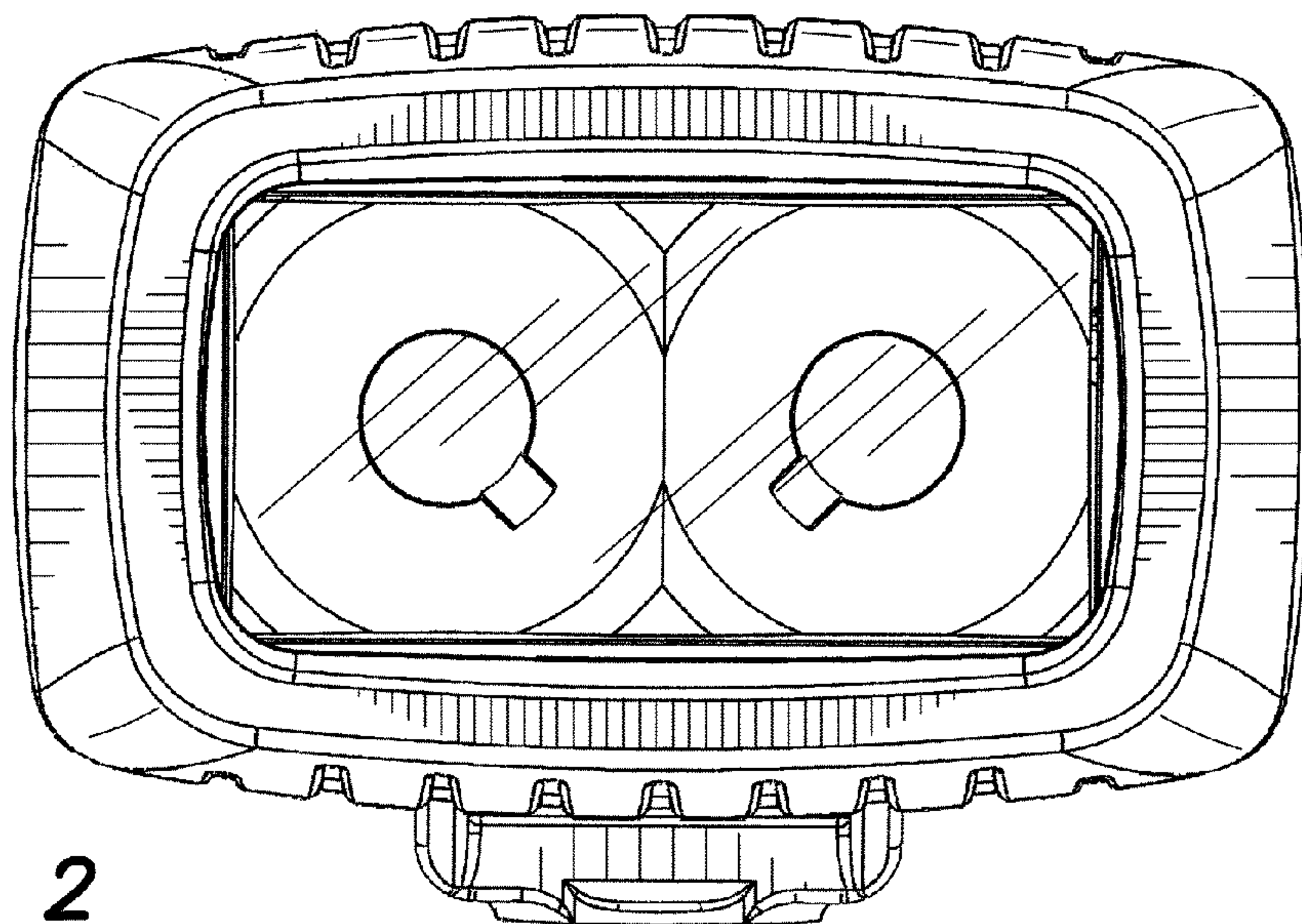


FIG. 2

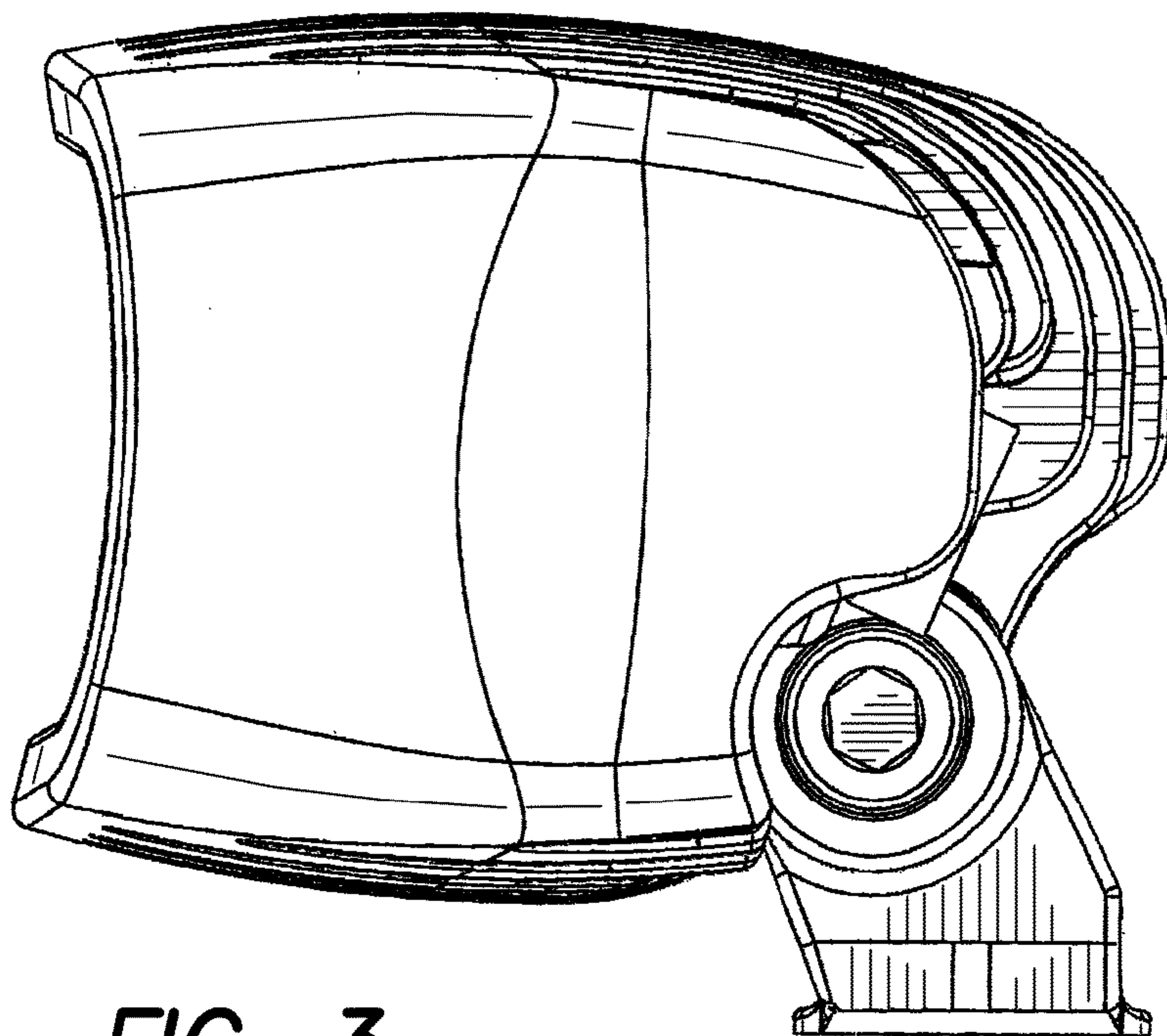


FIG. 3

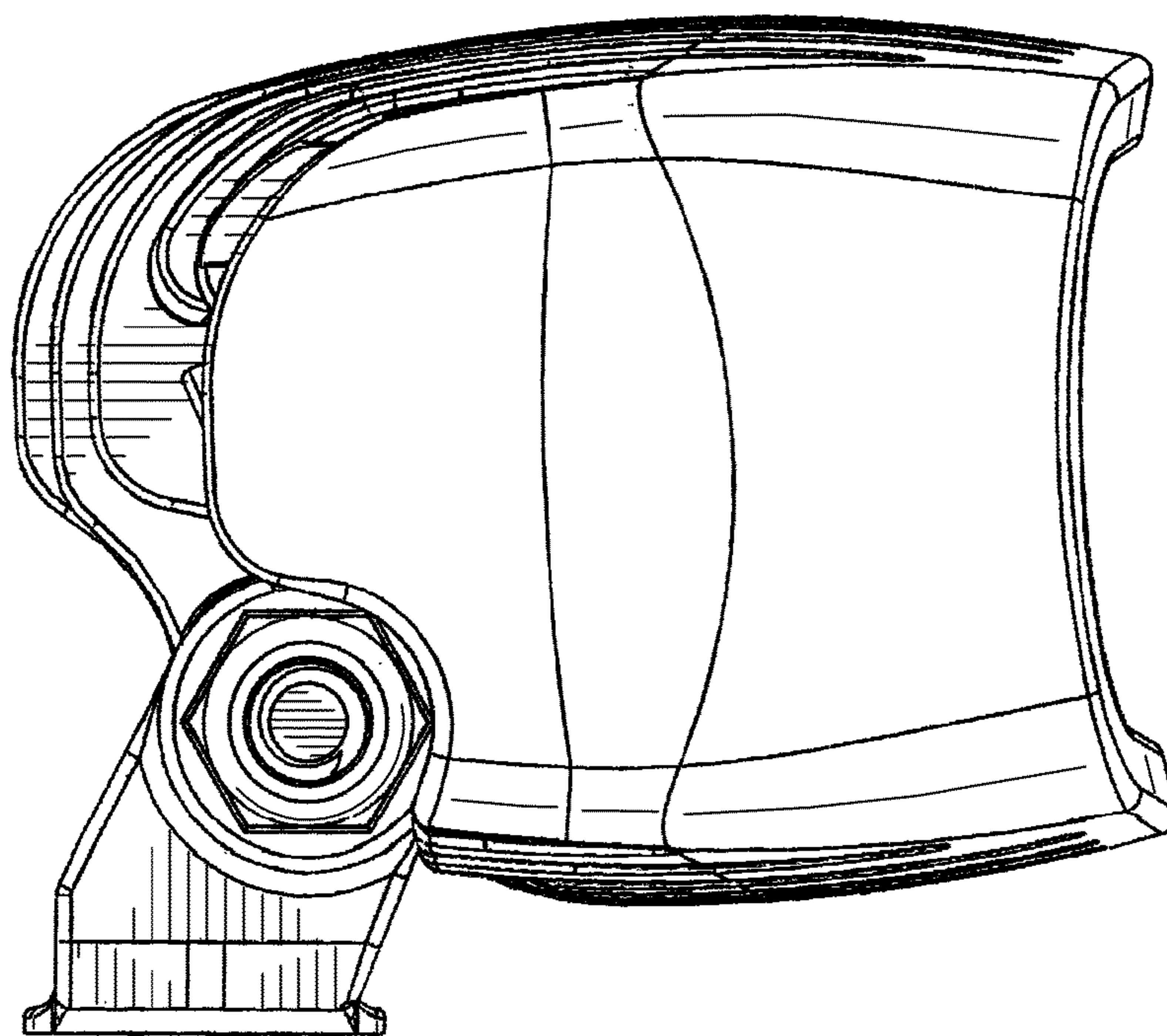


FIG. 5

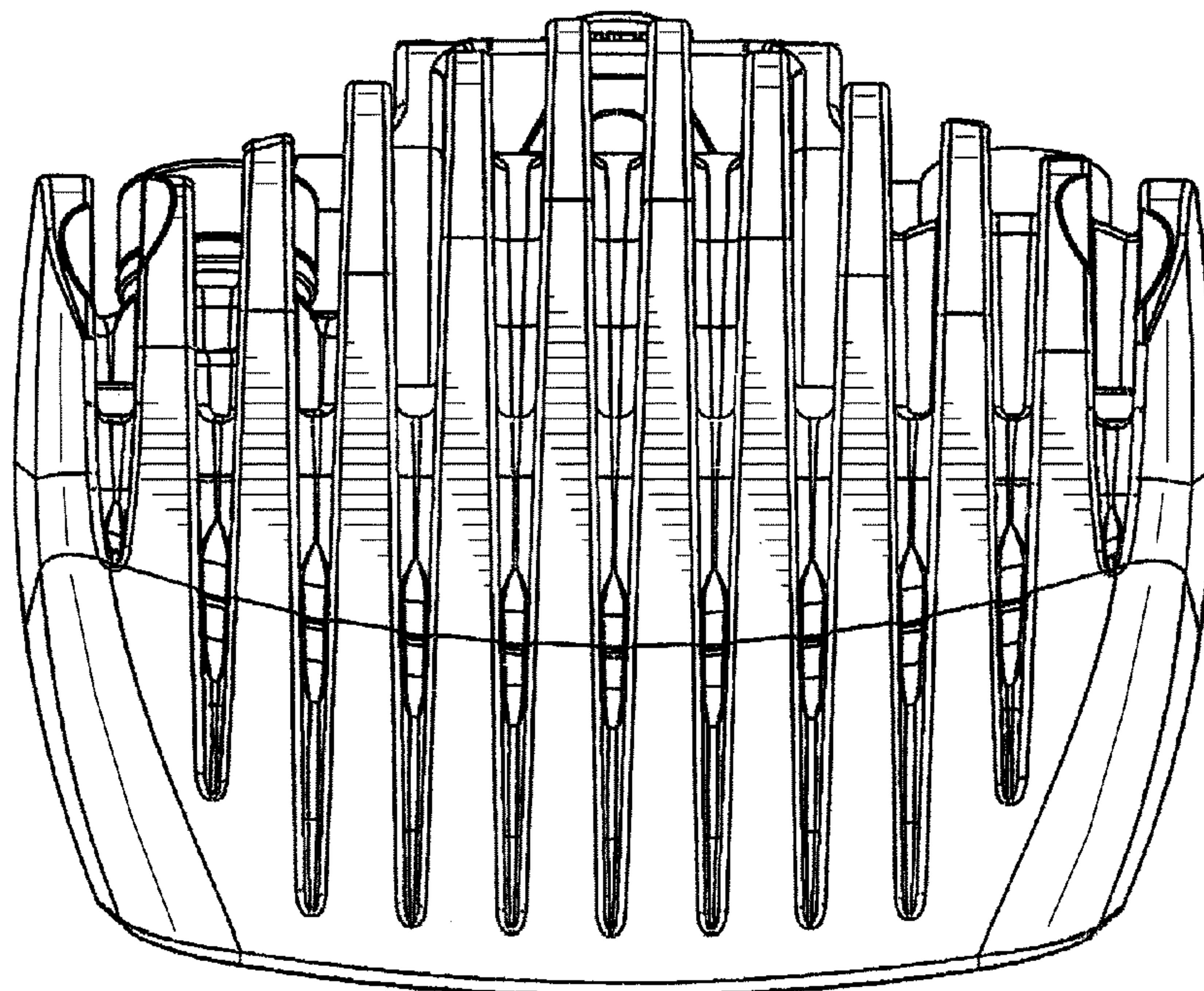


FIG. 4

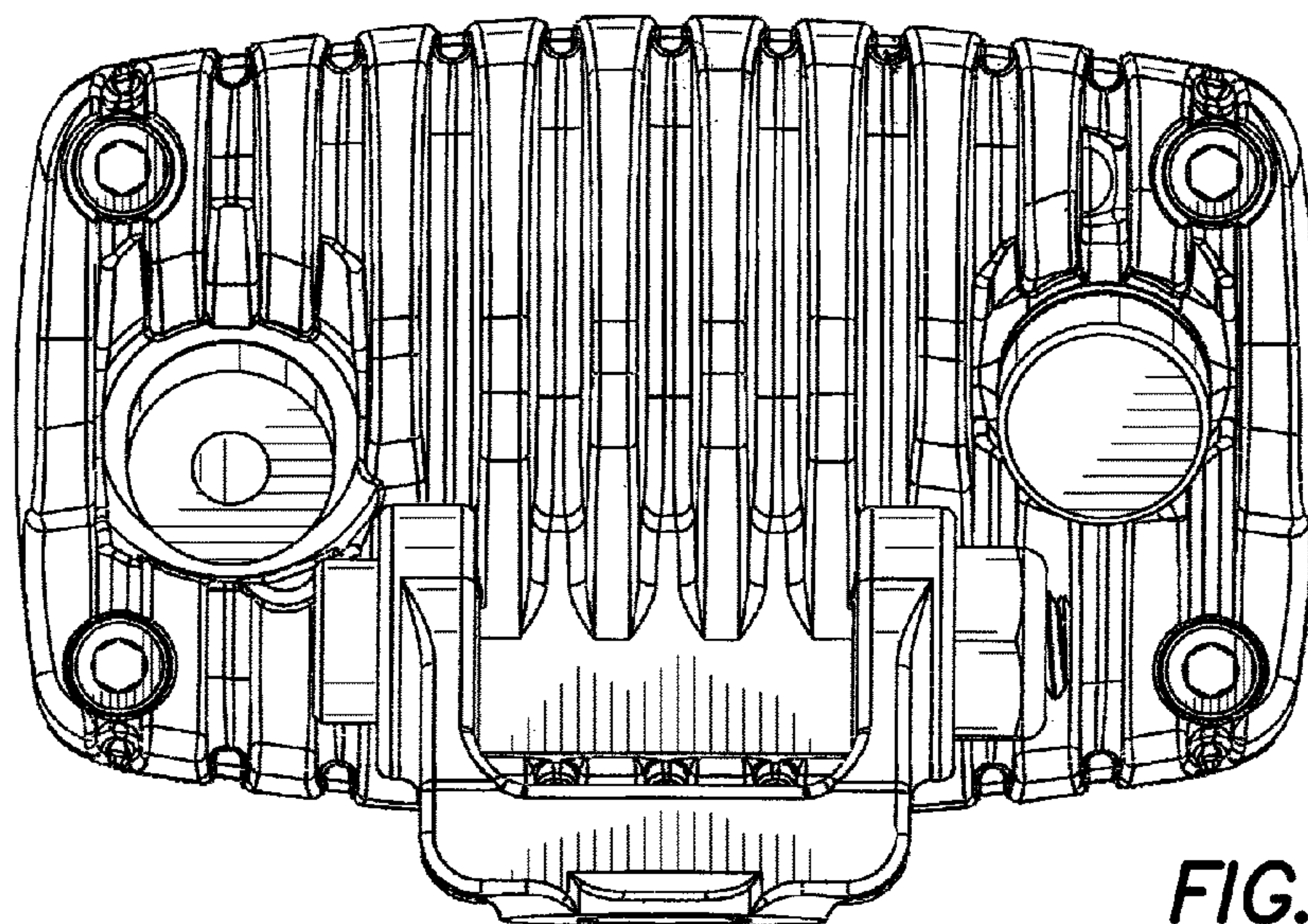


FIG. 6

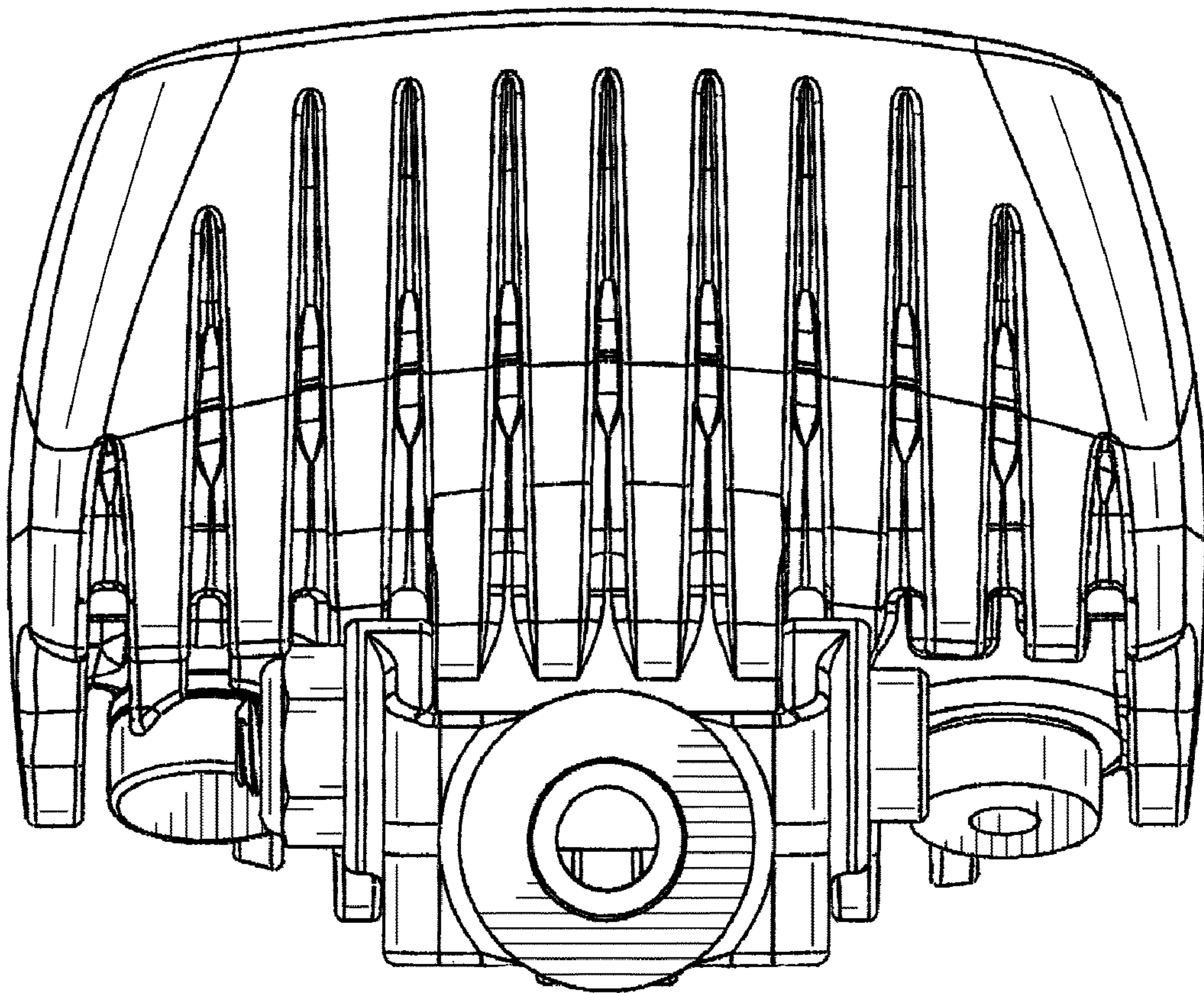


FIG. 7