



US00D675756S

(12) **United States Design Patent**  
**Wada et al.**

(10) **Patent No.:** **US D675,756 S**  
(45) **Date of Patent:** **\*\* Feb. 5, 2013**

(54) **LIGHT EMITTING DIODE LAMP**

(56) **References Cited**

(75) Inventors: **Asuka Wada**, Kanagawa (JP); **Ryotaro Matsuda**, Kanagawa (JP); **Makoto Sakai**, Kanagawa (JP); **Takumi Suwa**, Kanagawa (JP); **Yoshihiro Aonami**, Kanagawa (JP)

U.S. PATENT DOCUMENTS

D610,271	S	*	2/2010	Bi	.....	D26/2
D616,120	S	*	5/2010	Wada et al.	.....	D26/2
D629,930	S		12/2010	Cotter et al.		
D631,571	S	*	1/2011	Bobel	.....	D26/2
D645,996	S		9/2011	Wey et al.		
D648,461	S	*	11/2011	Kim et al.	.....	D26/2
D656,252	S		3/2012	Engl et al.		

(73) Assignee: **Toshiba Lighting & Technology Corporation**, Kanagawa (JP)

FOREIGN PATENT DOCUMENTS

JP	D1439051	4/2012
JP	D1440757	5/2012

(\*\*) Term: **14 Years**

\* cited by examiner

(21) Appl. No.: **29/427,721**

*Primary Examiner* — Marcus Jackson  
(74) *Attorney, Agent, or Firm* — J.C. Patents

(22) Filed: **Jul. 20, 2012**

(57) **CLAIM**  
The ornamental design for a light emitting diode lamp, as shown.

(30) **Foreign Application Priority Data**

**DESCRIPTION**

Jan. 25, 2012 (JP) ..... 2012-001317

(51) **LOC (9) Cl.** ..... **26-04**

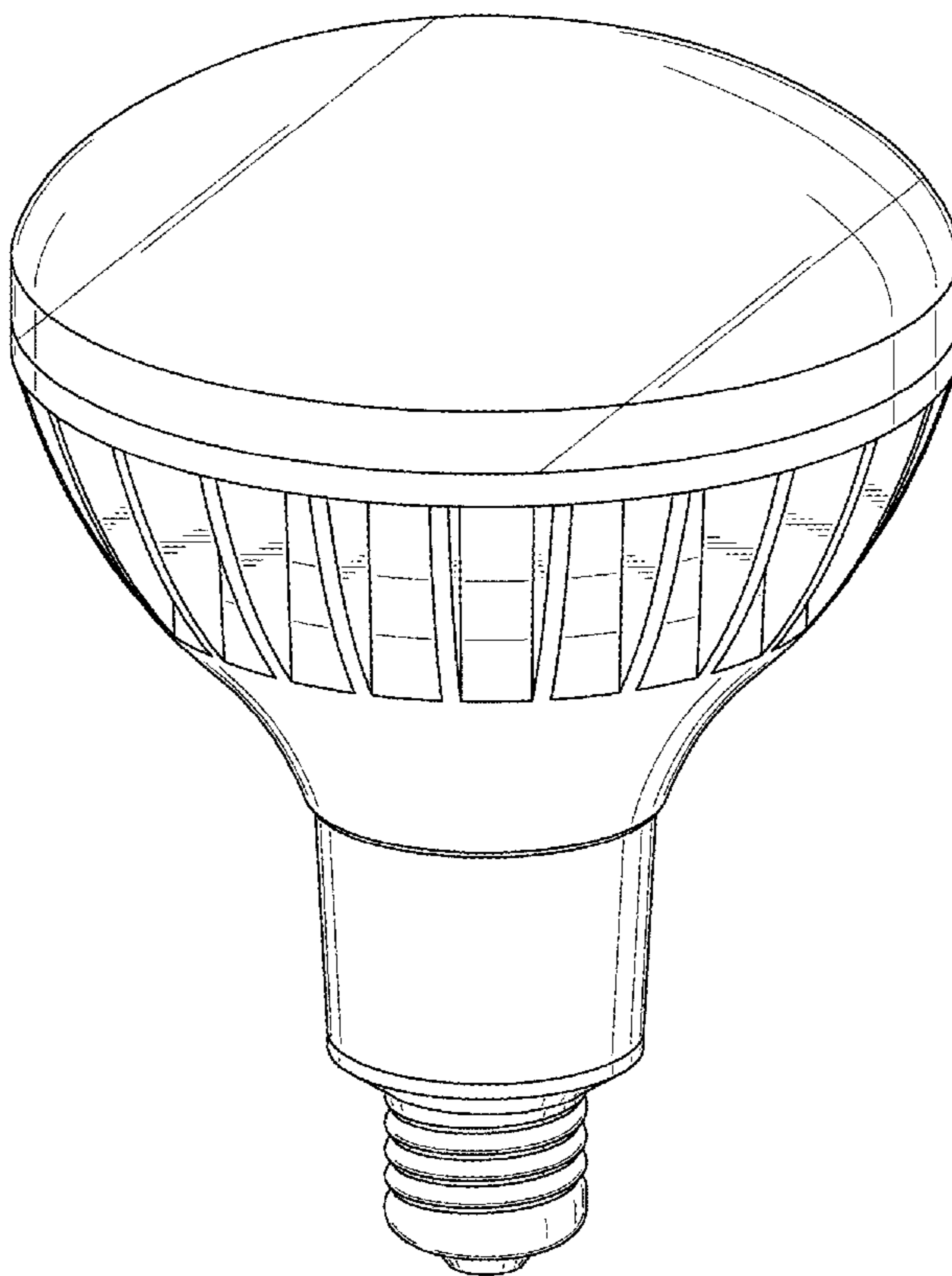
(52) **U.S. Cl.** ..... **D26/2**

(58) **Field of Classification Search** ..... D26/1-4;  
313/313, 315, 316, 317, 318, 493; 315/52,  
315/53, 56, 57, 58

FIG. 1 is a perspective view of a light emitting diode lamp showing our new design;  
FIG. 2 is a front view thereof;  
FIG. 3 is a rear view thereof;  
FIG. 4 is a left side view thereof;  
FIG. 5 is a right side view thereof;  
FIG. 6 is a top view thereof; and,  
FIG. 7 is a bottom view thereof.

See application file for complete search history.

**1 Claim, 7 Drawing Sheets**



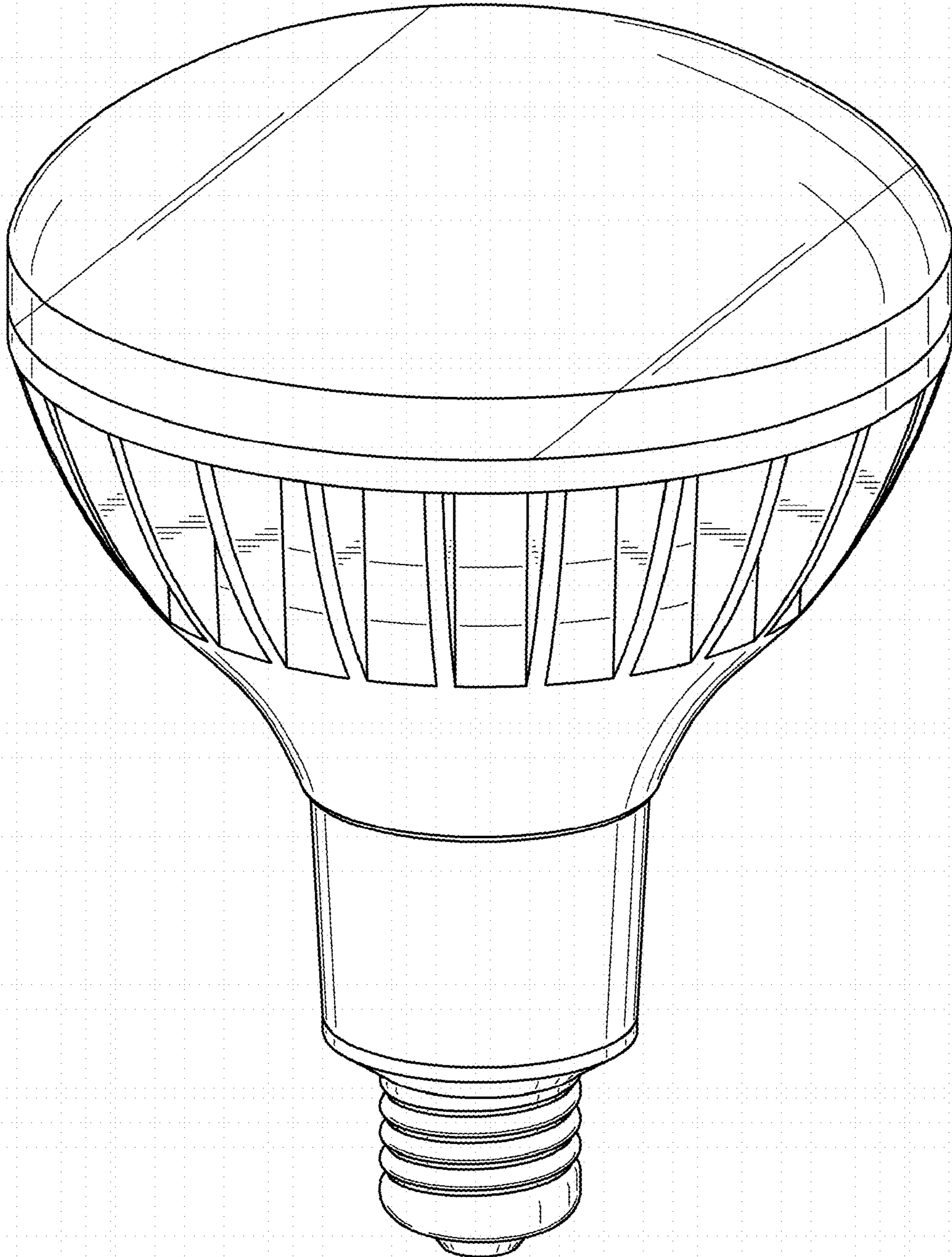


FIG. 1

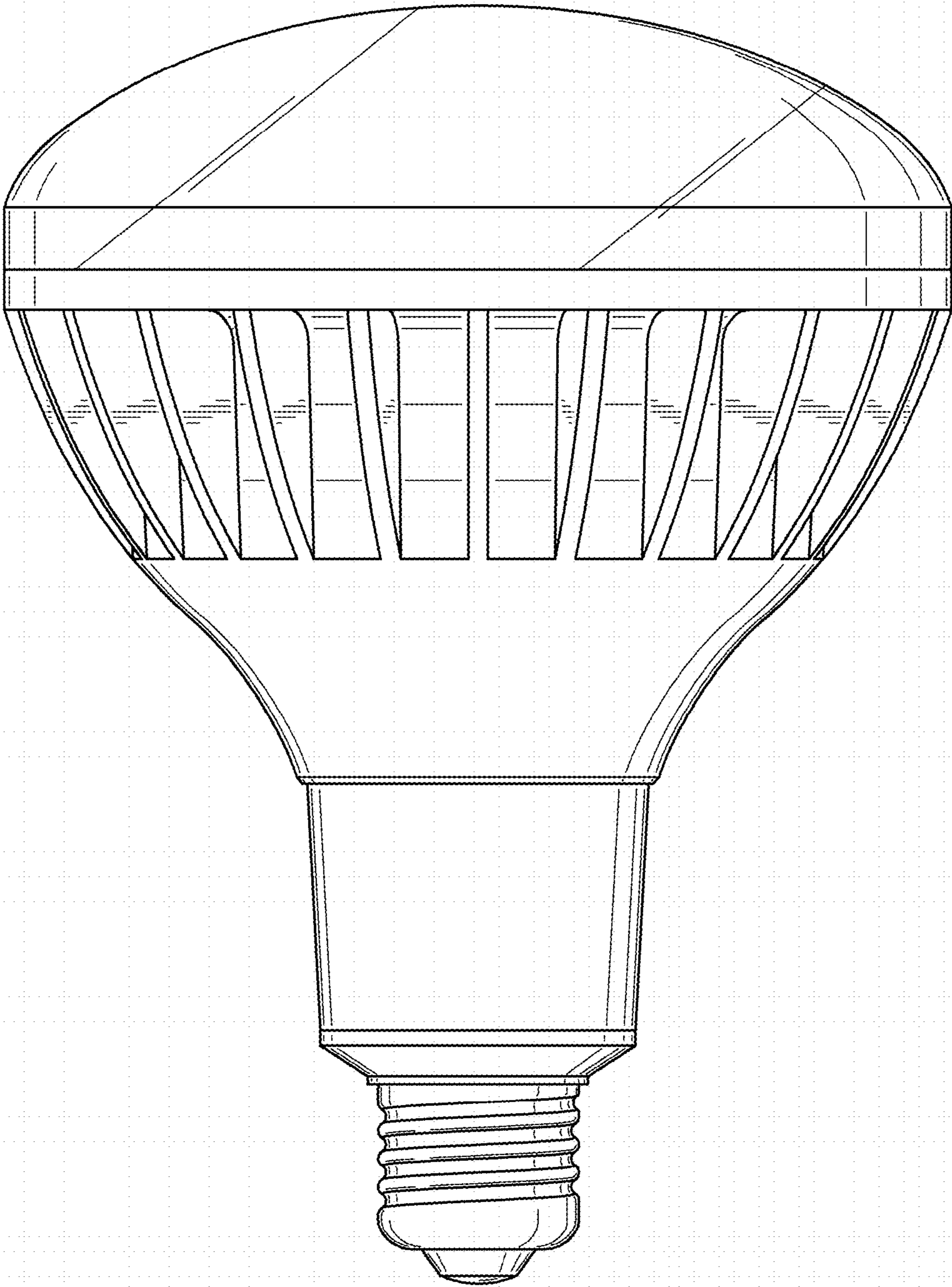


FIG. 2

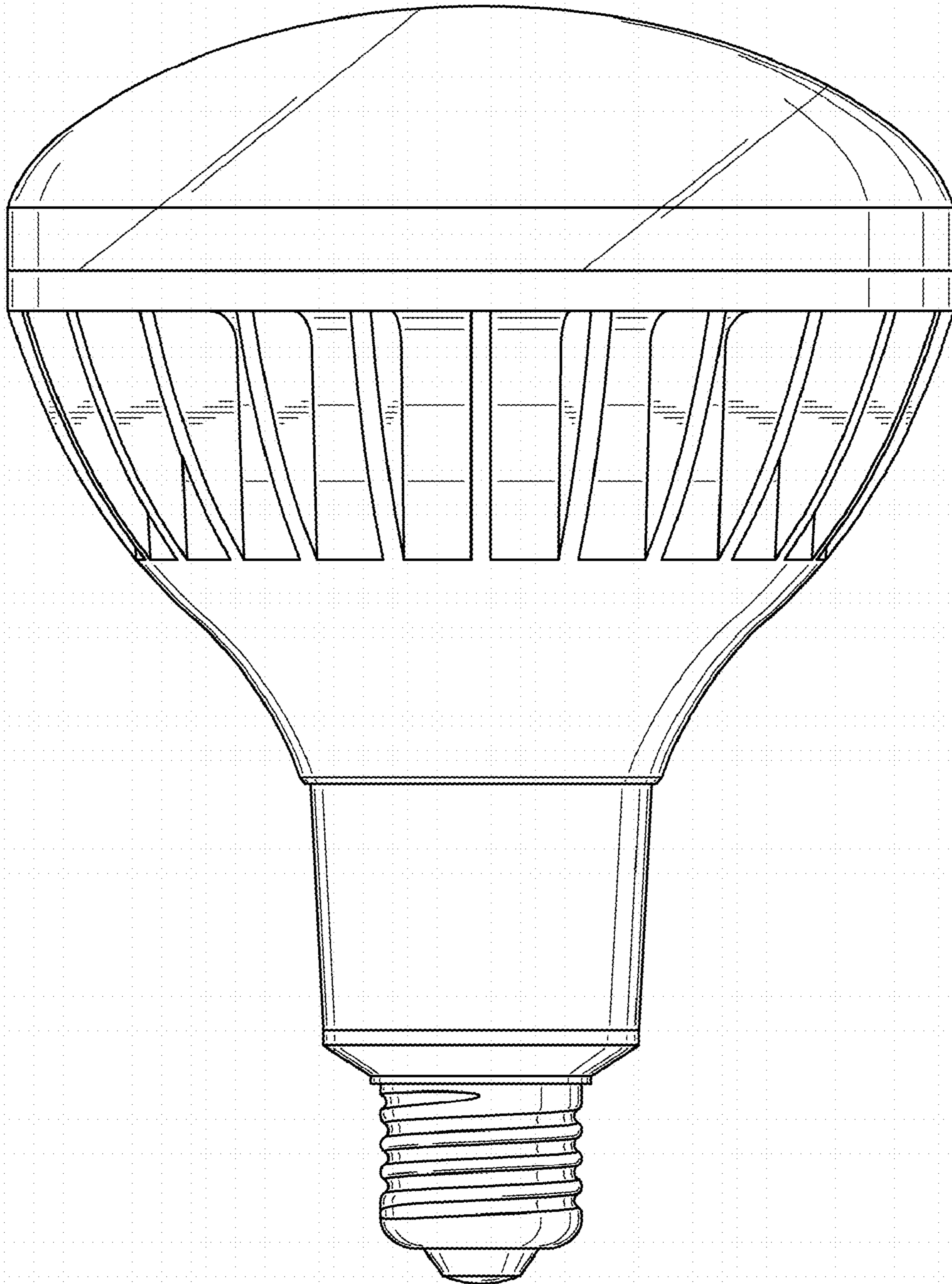


FIG. 3

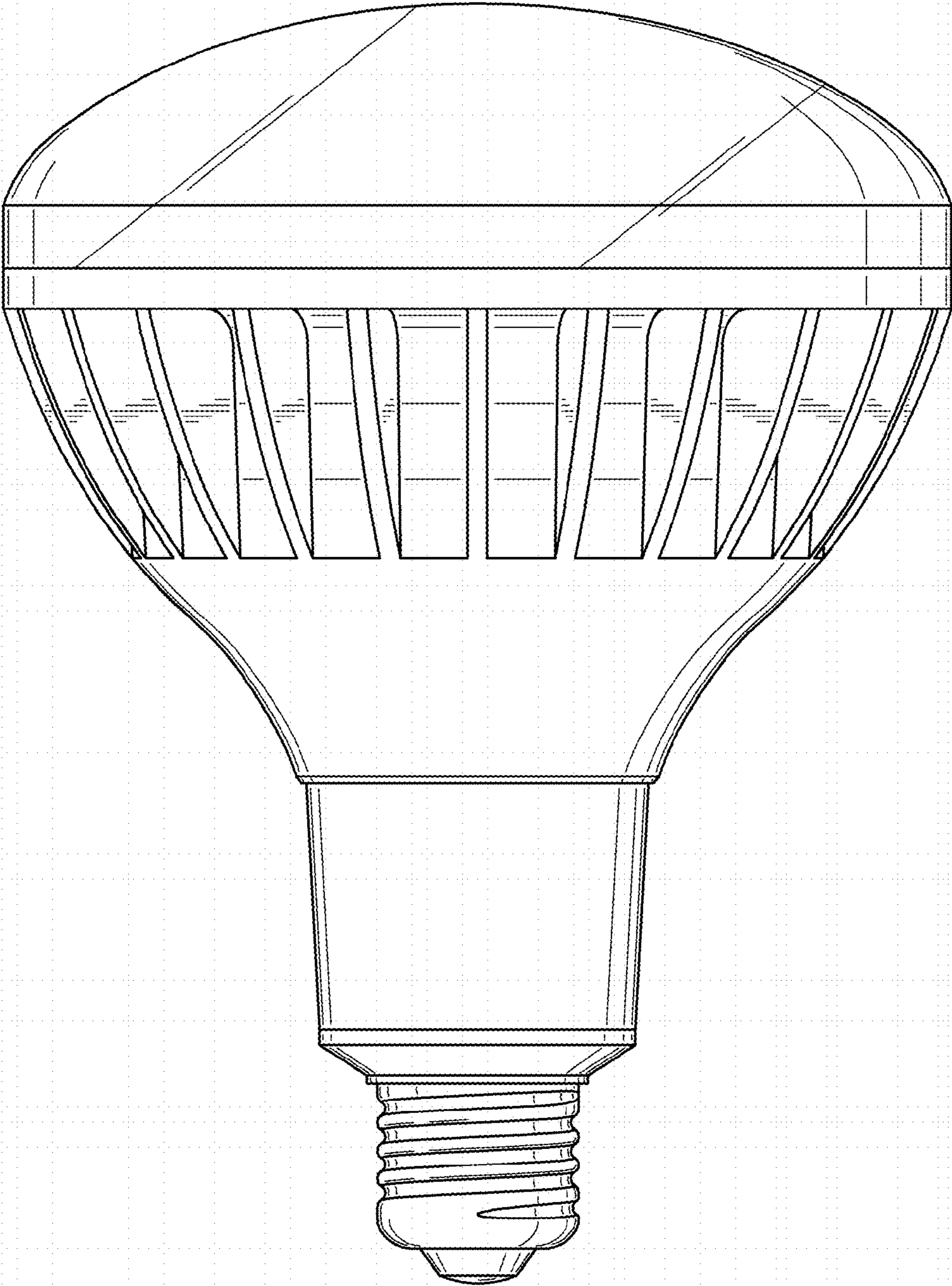


FIG. 4

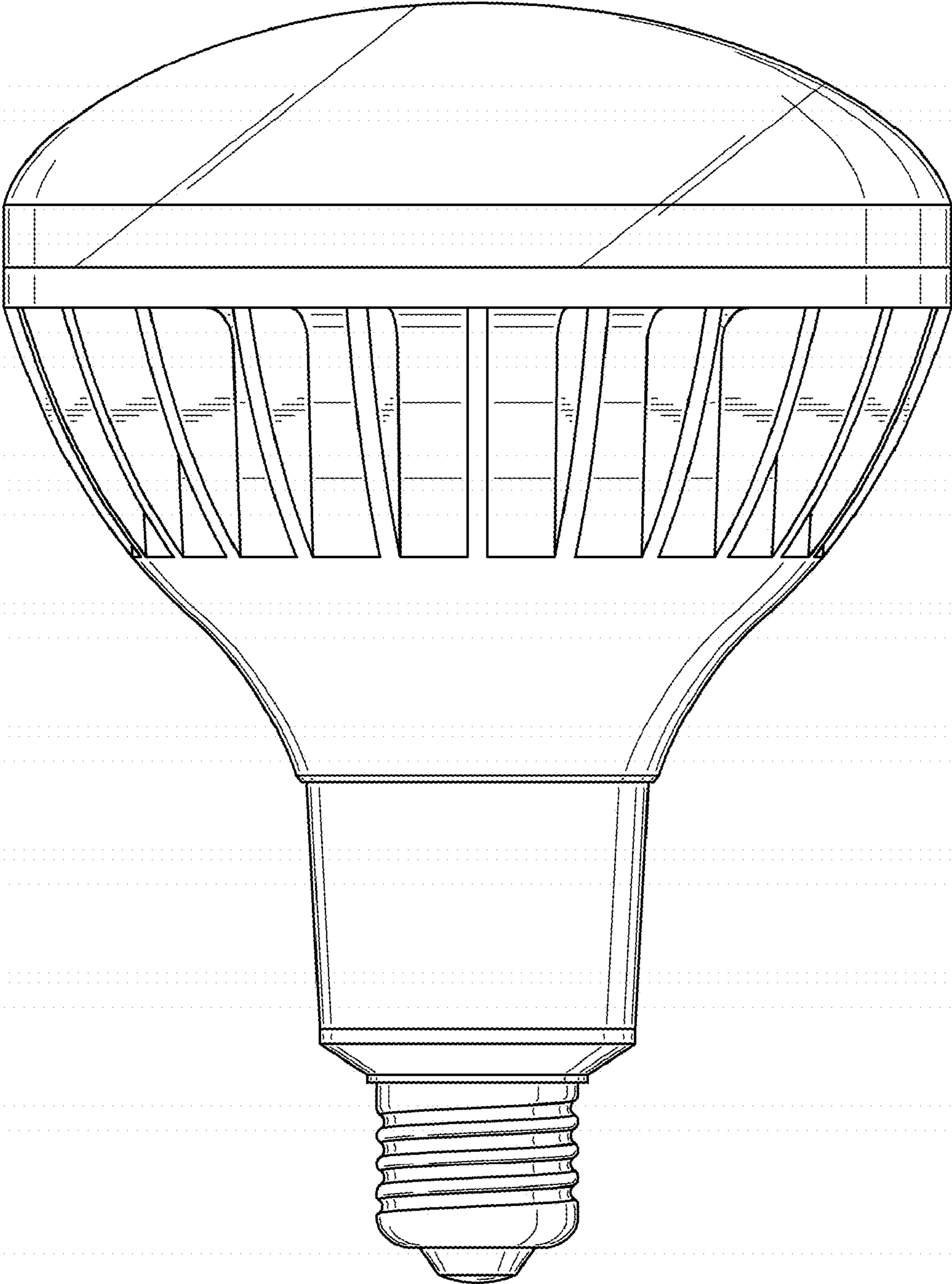


FIG. 5

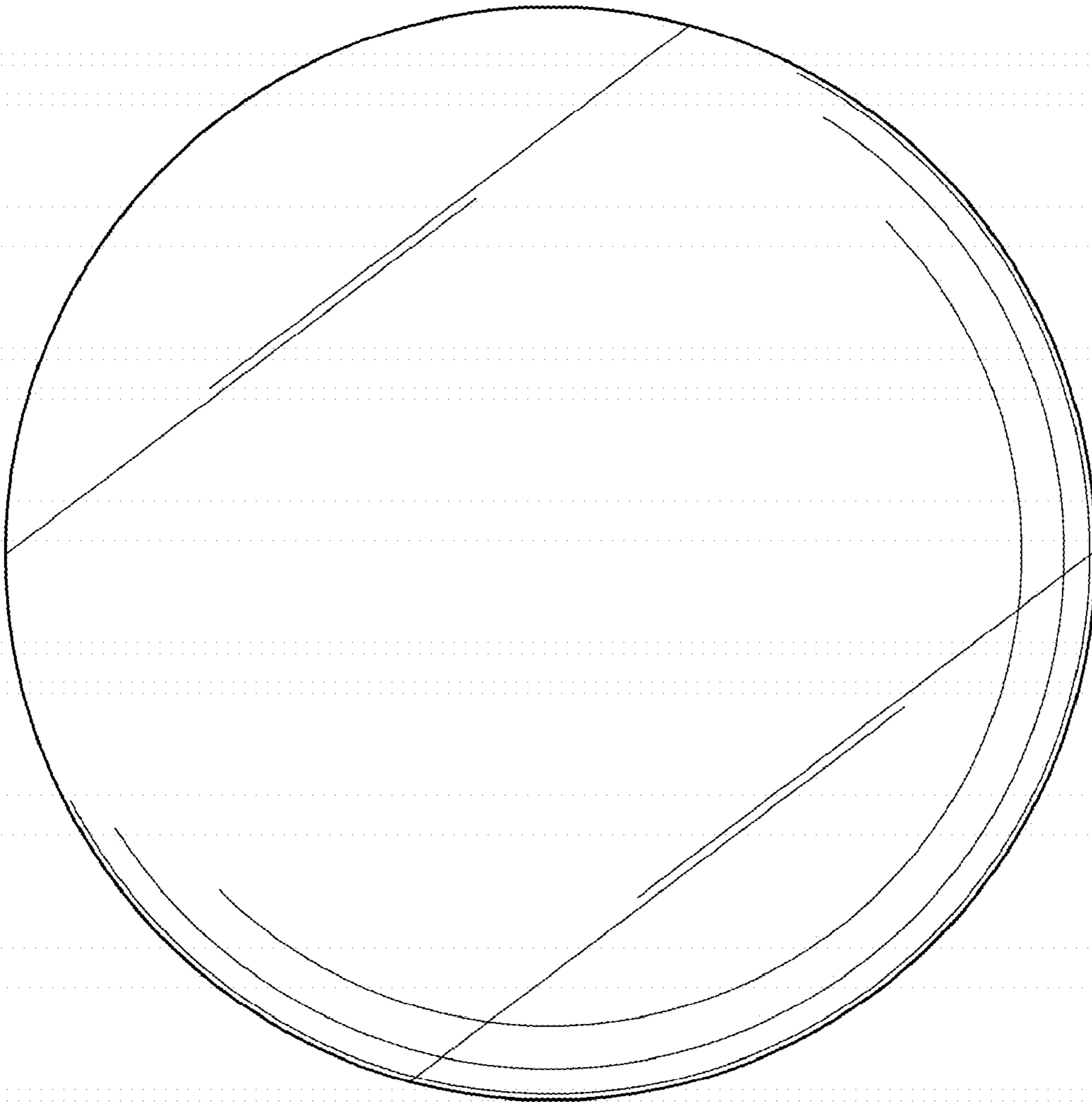


FIG. 6

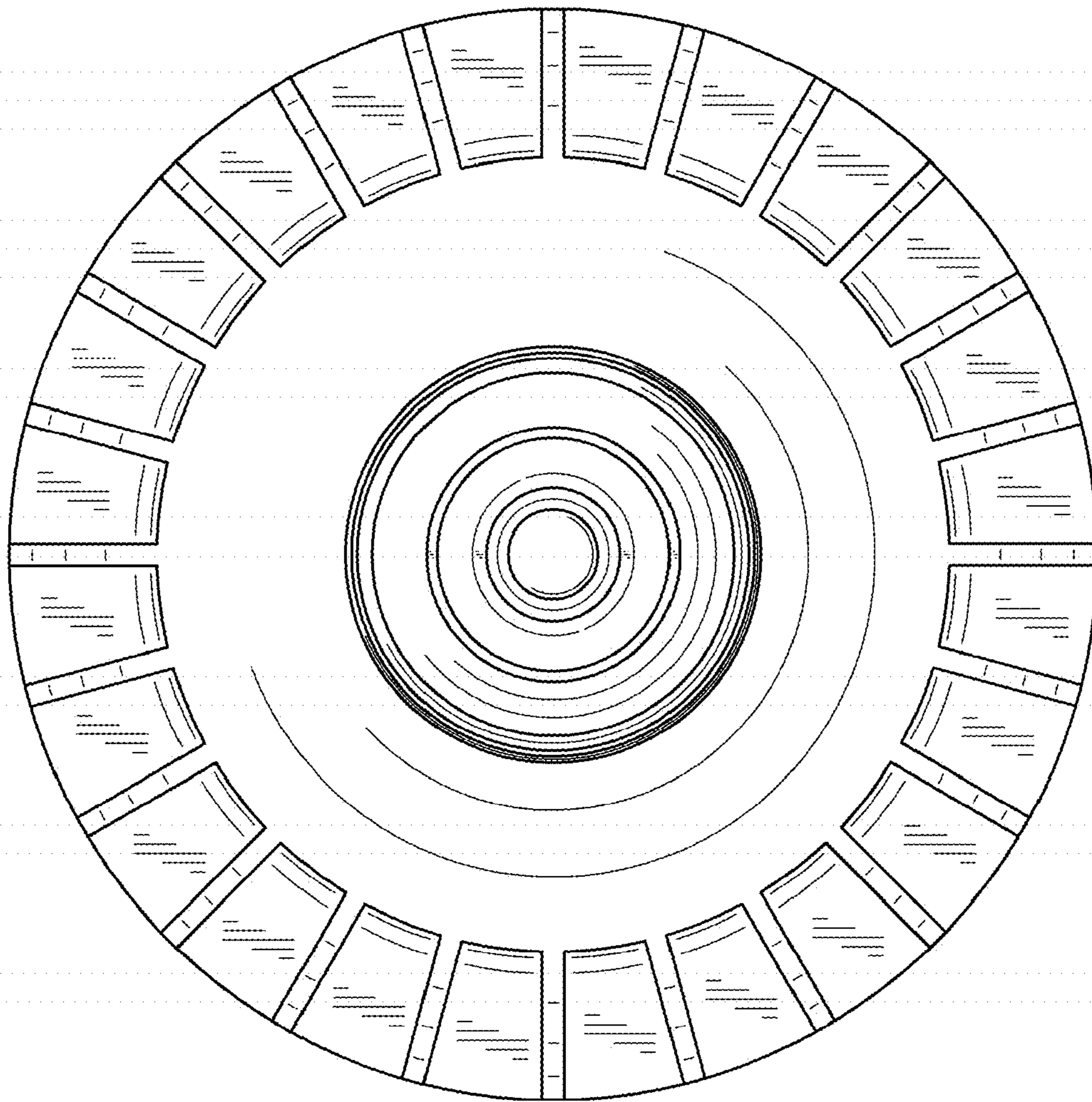


FIG. 7