



US00D675754S

(12) **United States Design Patent**
Mathieu

(10) **Patent No.:** **US D675,754 S**
(45) **Date of Patent:** **** Feb. 5, 2013**

(54) **LED LAMP WITH FRONT FACING HEAT SINK**

(75) Inventor: **Daniel J. Mathieu**, Sheboygan Falls, WI (US)

(73) Assignee: **Ricochet Lighting, LLC**, Sheboygan, WI (US)

(**) Term: **14 Years**

(21) Appl. No.: **29/381,514**

(22) Filed: **Dec. 20, 2010**

(51) **LOC (9) Cl.** **26-04**

(52) **U.S. Cl.** **D26/2**

(58) **Field of Classification Search** D26/1-4;
313/313, 315, 316, 317, 318, 493; 315/52,
315/53, 56, 57, 58

See application file for complete search history.

7,314,291	B2	1/2008	Tain et al.	
7,520,636	B2	4/2009	Van Der Poel	
7,549,774	B2	6/2009	Tsai	
7,658,506	B2	2/2010	Dowling	
7,670,021	B2	3/2010	Chou	
7,677,770	B2	3/2010	Mazzochette	
7,682,054	B2	3/2010	Hsu et al.	
D661,259	S *	6/2012	Layevsky et al.	D13/179
D661,413	S *	6/2012	Maxik et al.	D26/2
2004/0264195	A1	12/2004	Chang et al.	
2009/0219713	A1	9/2009	Siemiet et al.	

* cited by examiner

Primary Examiner — Marcus Jackson

(74) *Attorney, Agent, or Firm* — Andrew C. Landsman; Godfrey & Kahn, S.C.

(57) **CLAIM**

I claim the ornamental design for an LED lamp with front facing heat sink, as shown and described.

(56) **References Cited**

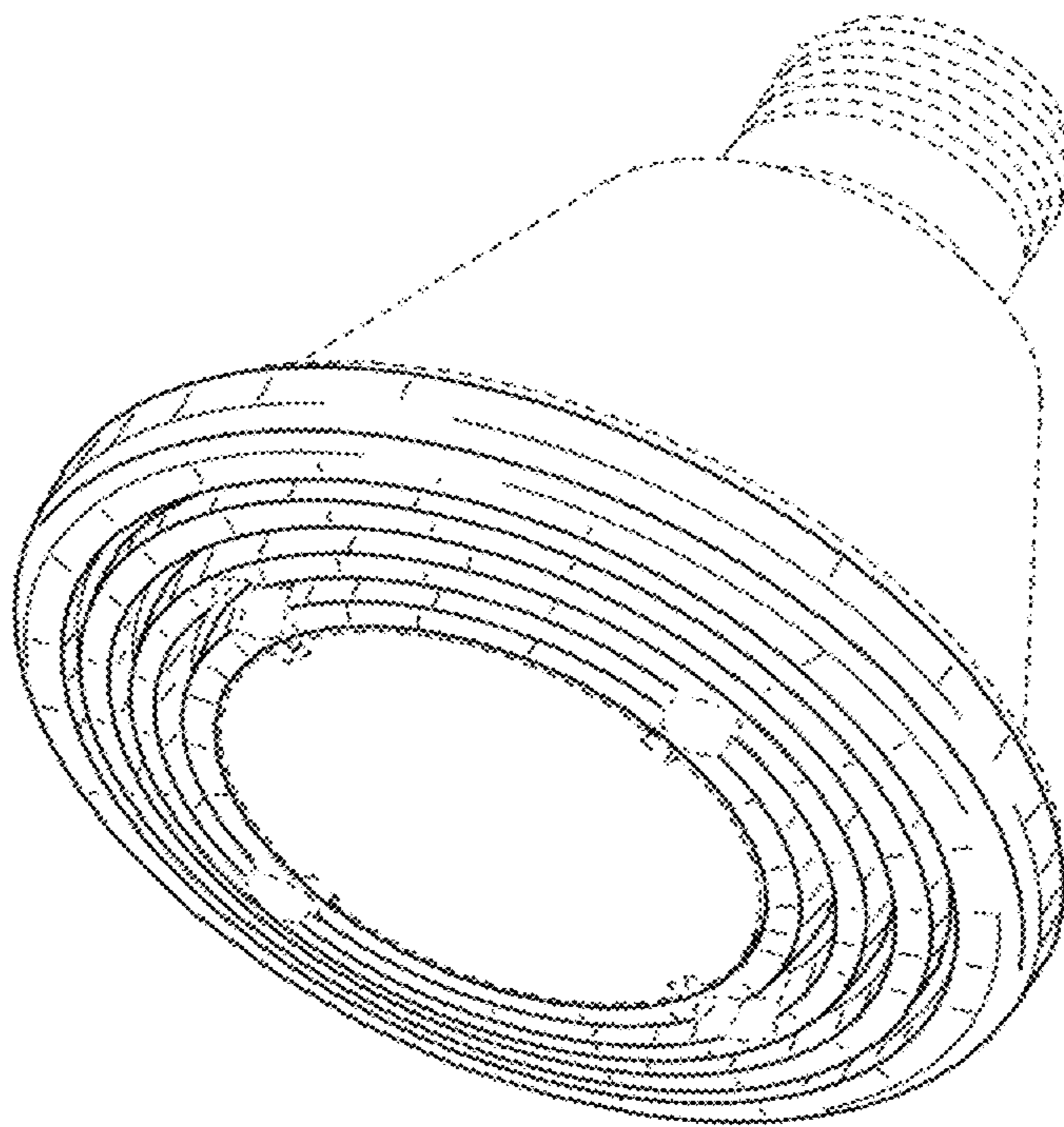
U.S. PATENT DOCUMENTS

5,361,190	A	11/1994	Roberts
5,788,357	A	8/1998	Muth
5,857,767	A	1/1999	Hochstein
6,045,243	A	4/2000	Muth et al.
6,076,948	A	6/2000	Bukosky et al.
6,257,746	B1	7/2001	Todd et al.
6,481,874	B2	11/2002	Petroski
6,672,741	B1	1/2004	Young
7,008,091	B2	3/2006	Mathieu
7,144,135	B2	12/2006	Martin et al.
7,246,921	B2	7/2007	Jacobson et al.
7,273,307	B2	9/2007	Mathieu
7,306,355	B2	12/2007	Walser

DESCRIPTION

FIG. 1 is a perspective view of one embodiment of the LED lamp design;
FIG. 2 is a top view of the LED lamp of FIG. 1;
FIG. 3 is a section view of the LED lamp of FIG. 2, taken generally along the line 3-3 in FIG. 2; and,
FIG. 4 is a side elevation view of the LED lamp of FIG. 1.
The broken lines showing various aspects of the lamp structure in FIGS. 1-4 are for illustrative purposes only to show the placement of the claimed design and form no part of the claimed design.

1 Claim, 4 Drawing Sheets



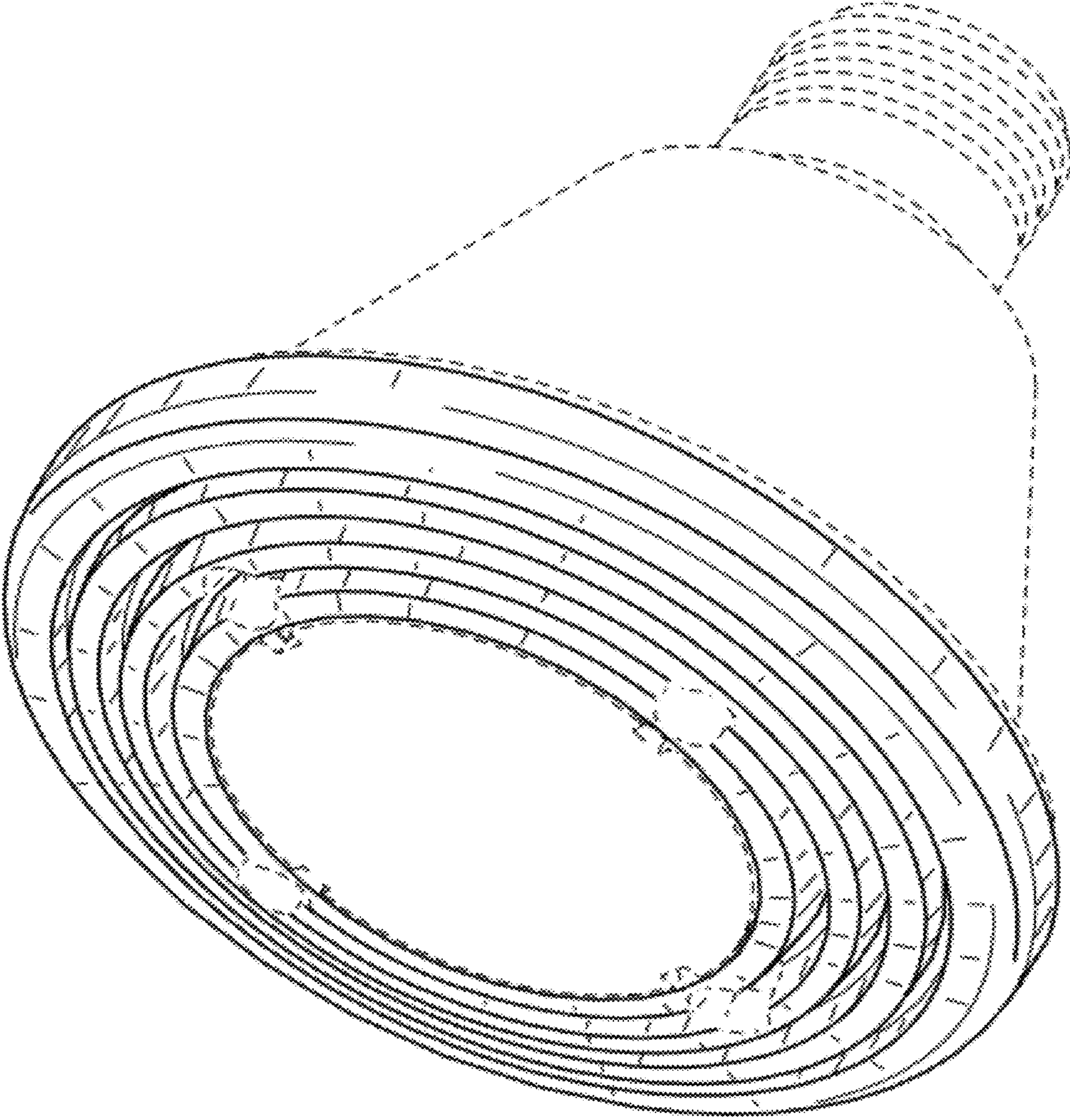


FIG. 1

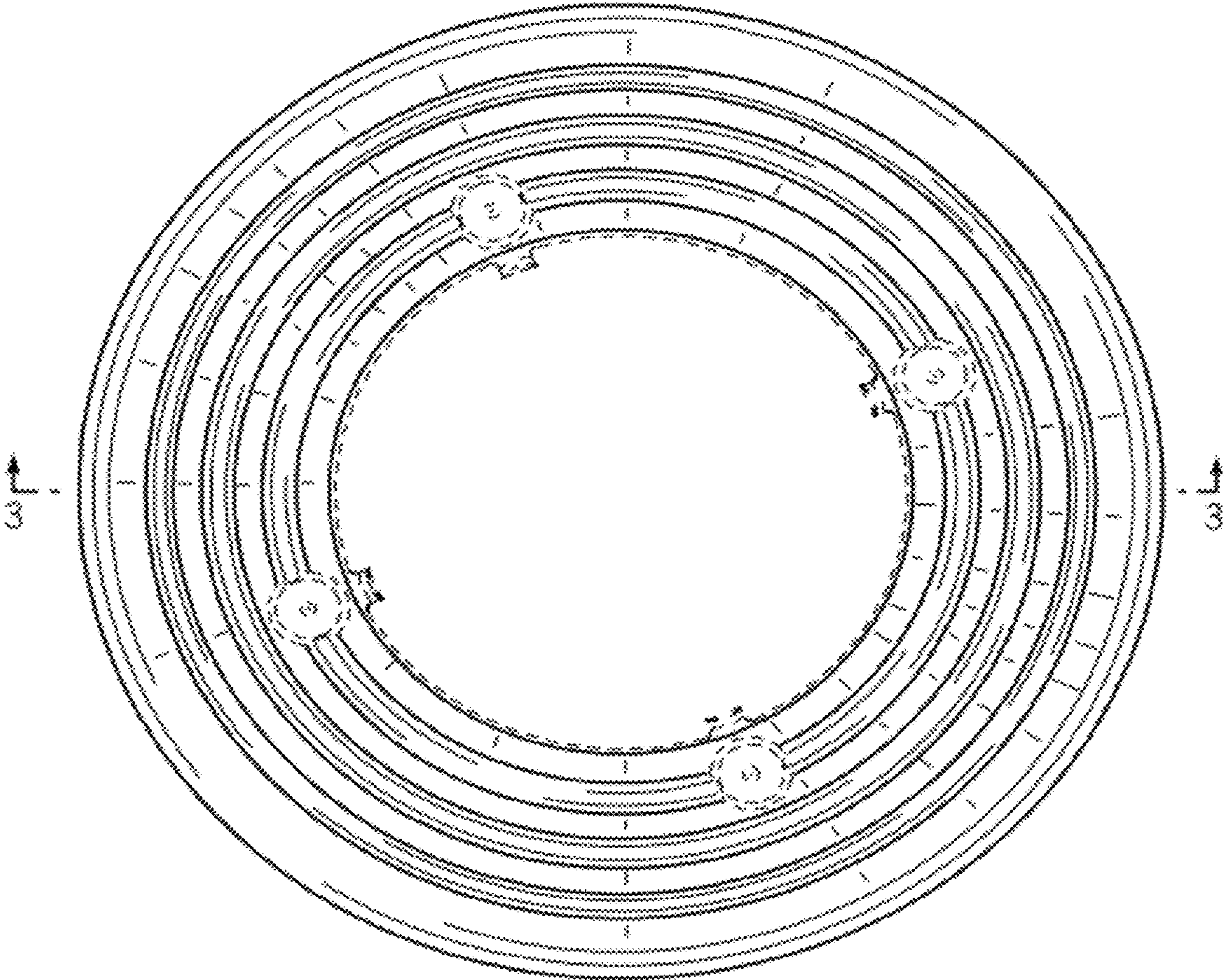


FIG. 2

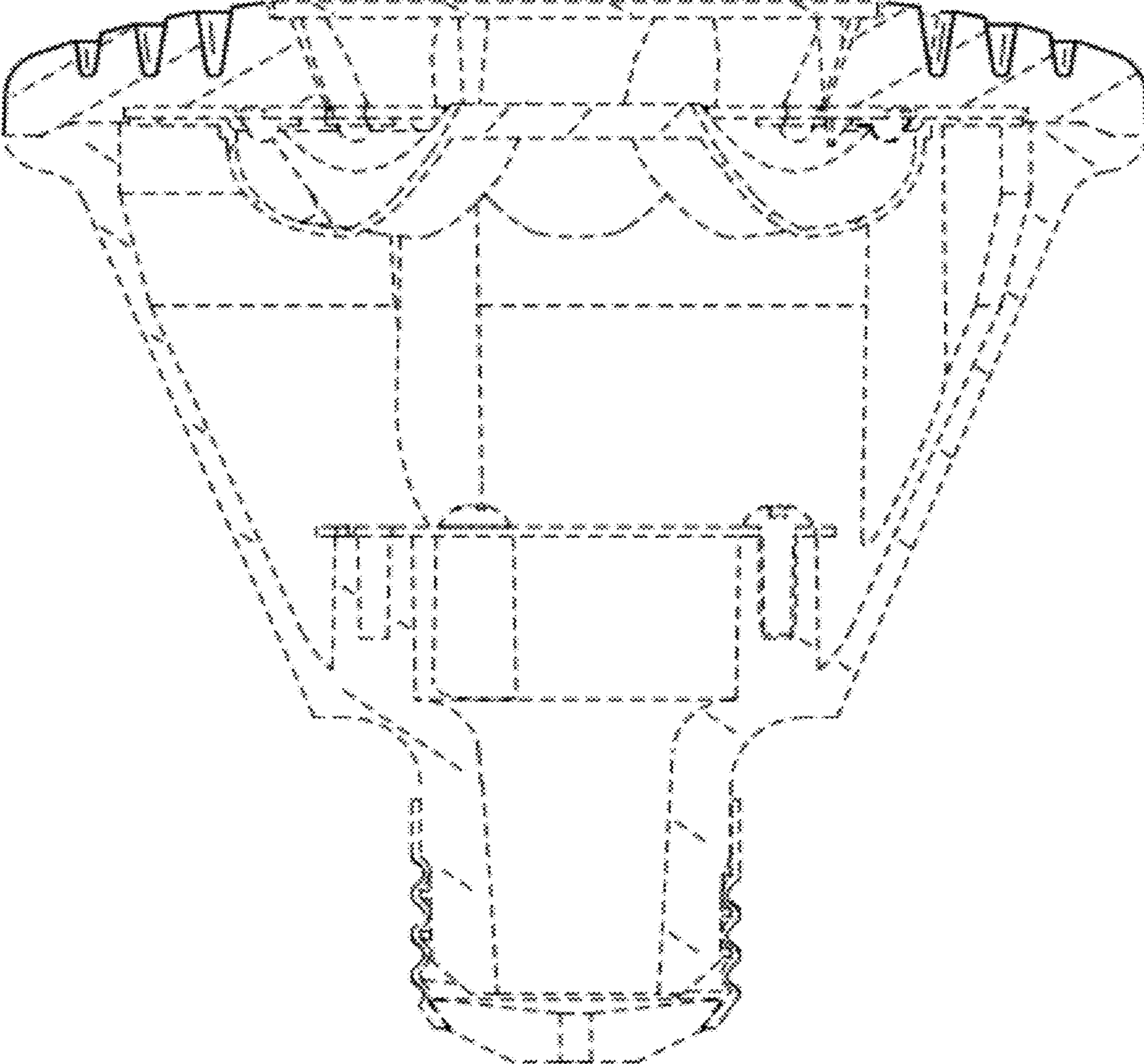


FIG. 3

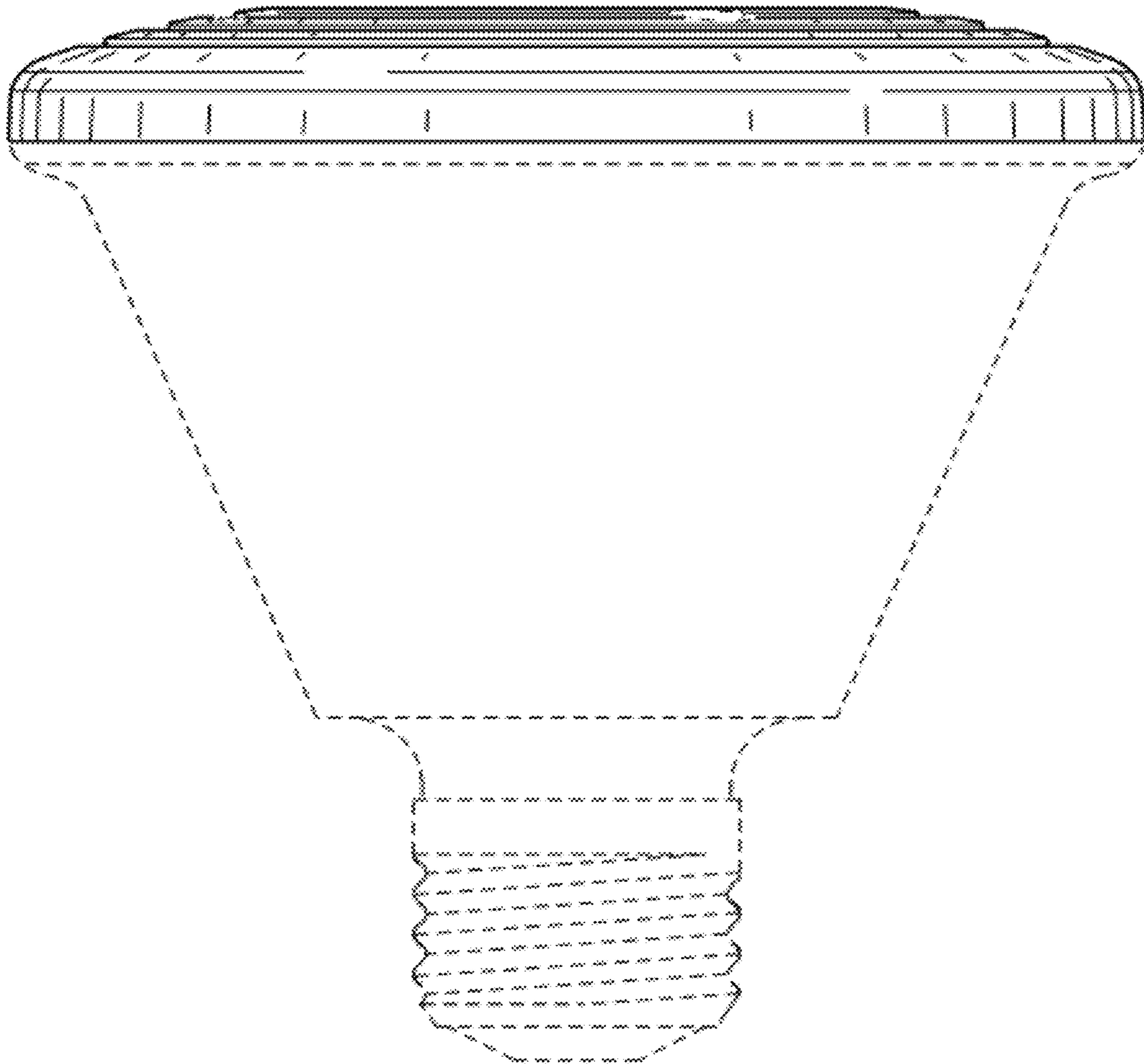


FIG. 4