



US00D675751S

(12) **United States Design Patent**
Amend

(10) **Patent No.:** **US D675,751 S**
(45) **Date of Patent:** **** Feb. 5, 2013**

(54) **INSULATING DRAINAGE BOARD**

(74) *Attorney, Agent, or Firm* — Evangellos W. Vekris

(76) Inventor: **Victor Amend**, Toronto (CA)

(57) **CLAIM**

The ornamental design for an insulating drainage board, as shown and described.

(**) Term: **14 Years**

DESCRIPTION

(21) Appl. No.: **29/387,201**

(22) Filed: **Mar. 10, 2011**

(51) **LOC (9) Cl.** **25-01**

(52) **U.S. Cl.** **D25/163; D25/138**

(58) **Field of Classification Search** D25/125,
D25/158, 163; 52/310, 302.1, 302.2, 302.3,
52/302.7, 506.01, 506.04, 404.1, 408, 169.5,
52/169.14, 169.11

See application file for complete search history.

FIG. 1 is a front perspective view of one embodiment of the insulating drainage board in accordance with my design; FIG. 2 is a top view of the insulating drainage board of FIG. 1; FIG. 3 is a side view of the insulating drainage board of FIG. 1; FIG. 4 is an end view of the insulating drainage board of FIG. 1; FIG. 5 is a back view of the insulating drainage board of FIG. 1; FIG. 6 is a front perspective view of another embodiment of the insulating drainage board in accordance with my design; FIG. 7 is a top view the insulating drainage board of FIG. 6; FIG. 8 is a side view of the insulating drainage board of FIG. 6; FIG. 9 is an end view of the insulating drainage board of FIG. 6; and, FIG. 10 is a bottom view of the insulating drainage board of FIG. 6.

(56) **References Cited**

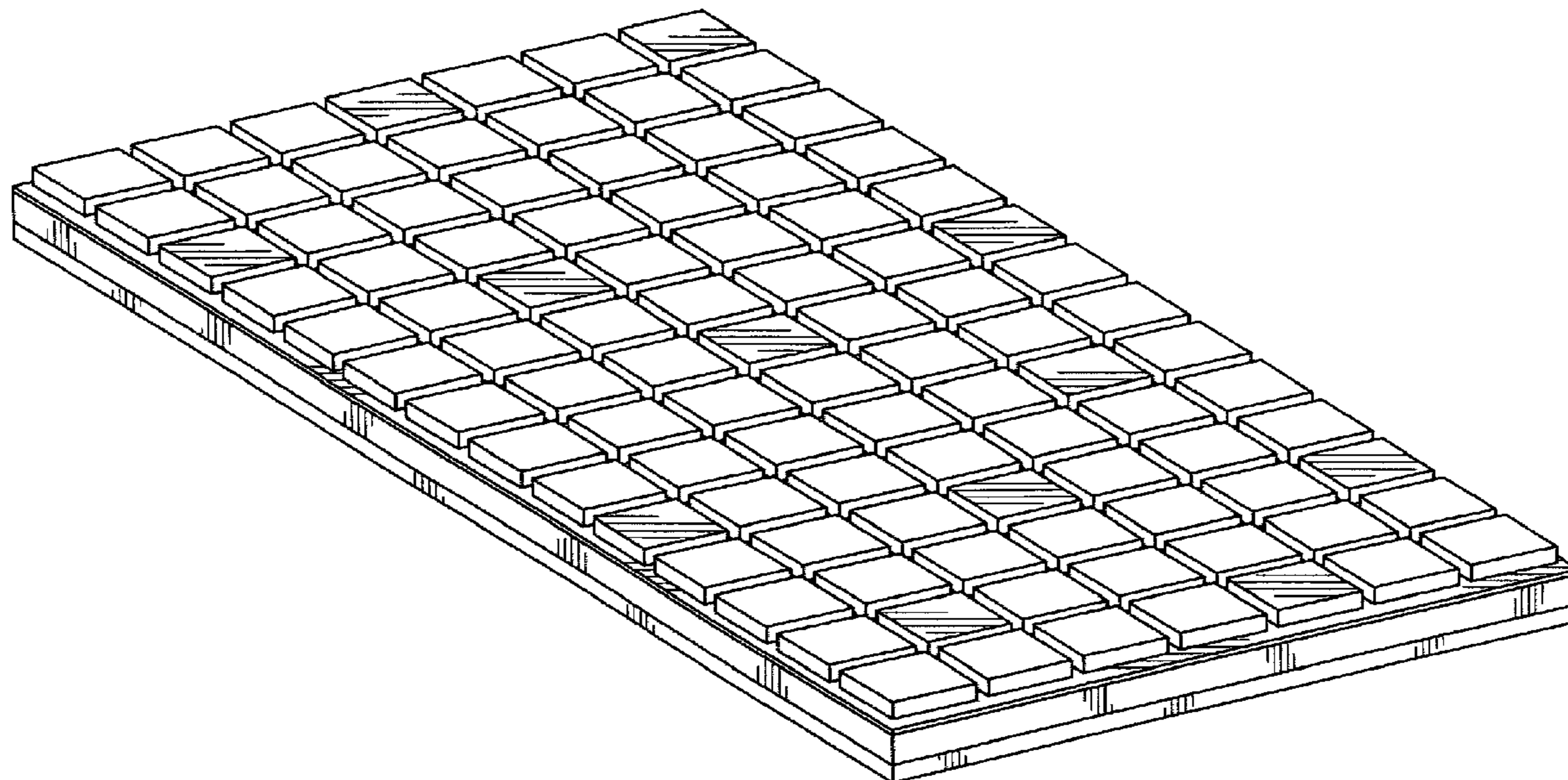
U.S. PATENT DOCUMENTS

4,574,541	A *	3/1986	Raidt et al.	52/169.5
D329,297	S *	9/1992	Smith	D25/138
D385,976	S *	11/1997	Berger	D25/163
6,802,668	B2 *	10/2004	Parker	405/49
2003/0037499	A1 *	2/2003	Coulton	52/302.3

* cited by examiner

Primary Examiner — Doris Clark

1 Claim, 6 Drawing Sheets



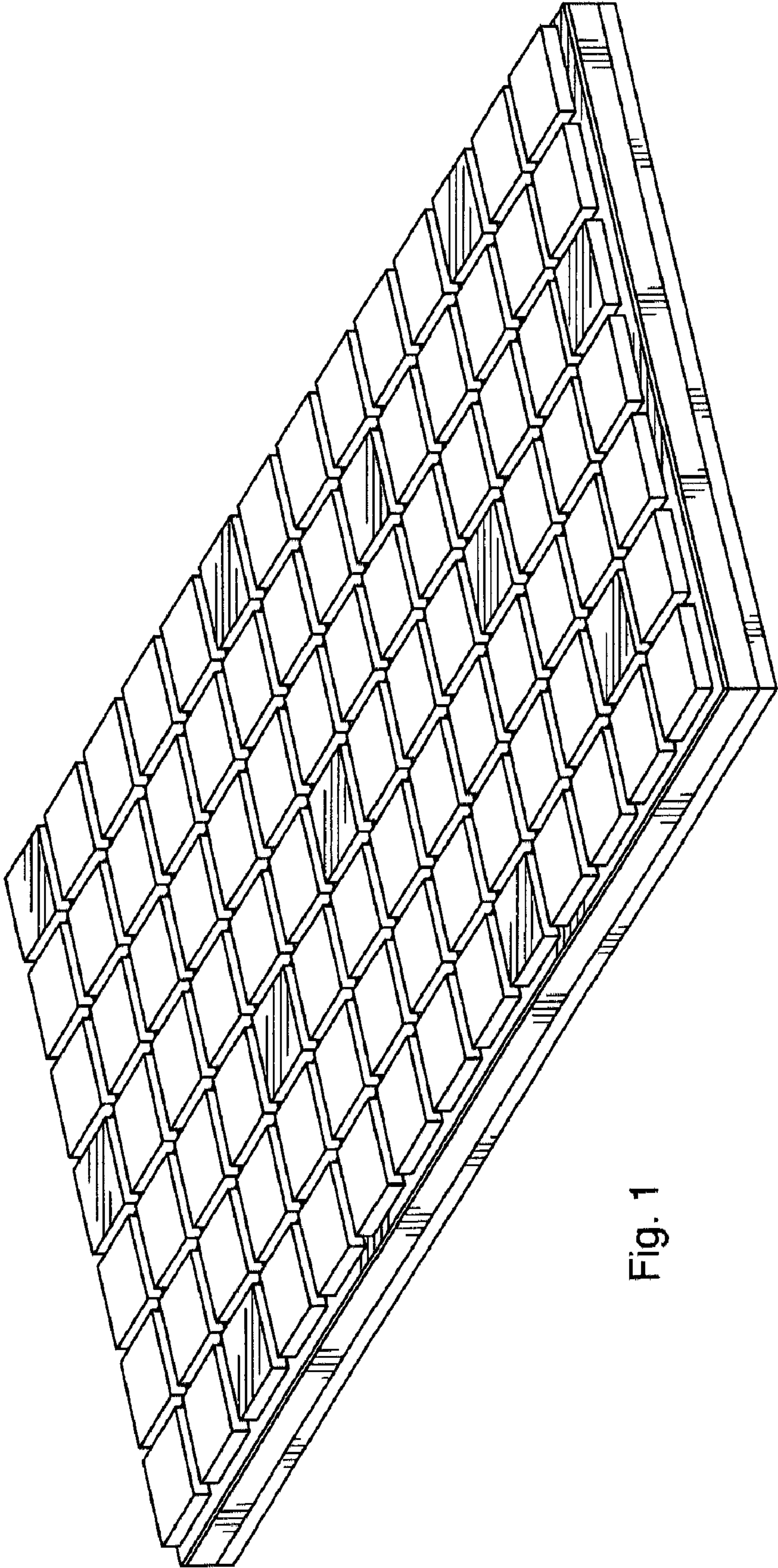


Fig. 1

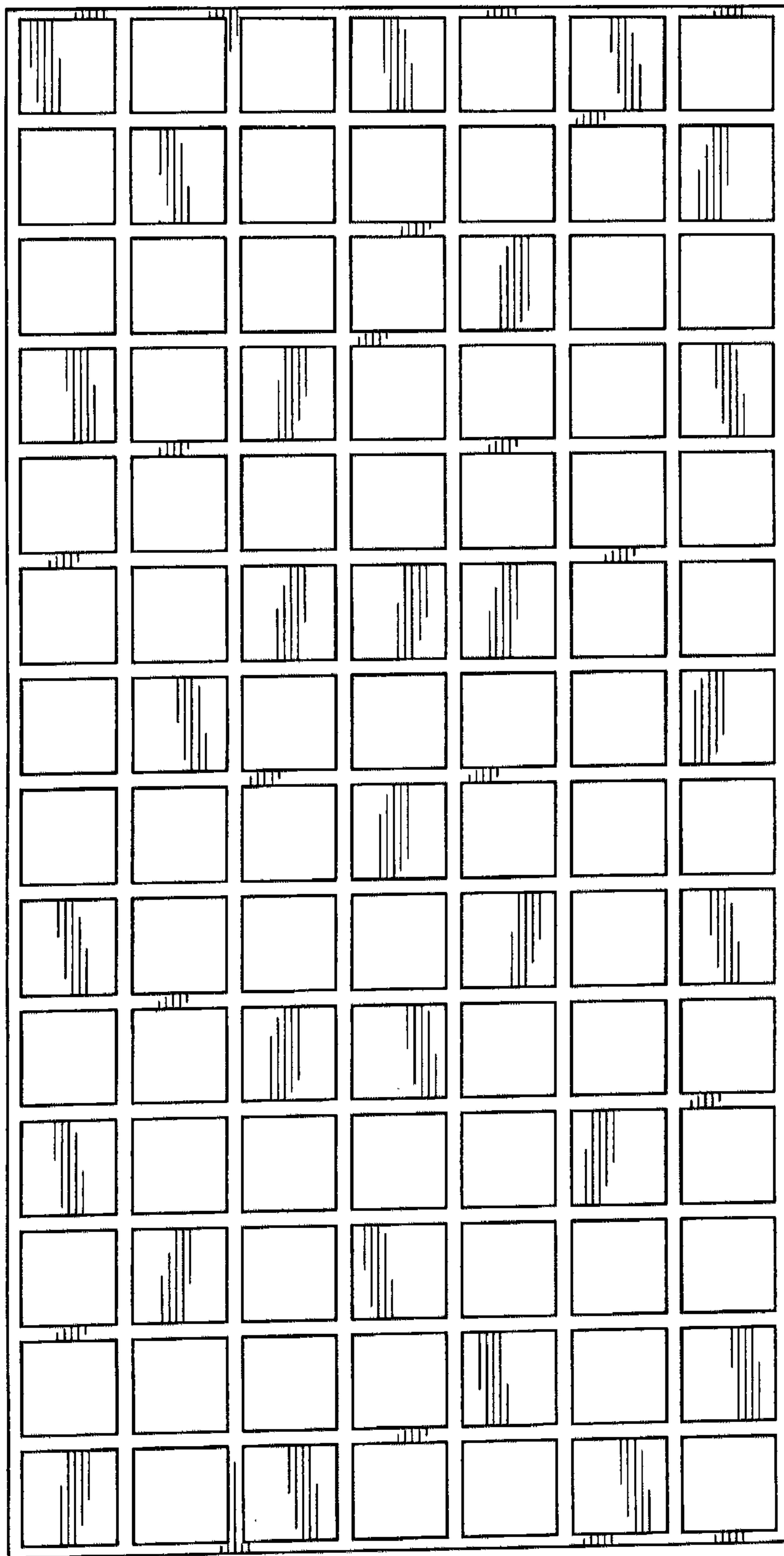


Fig. 2

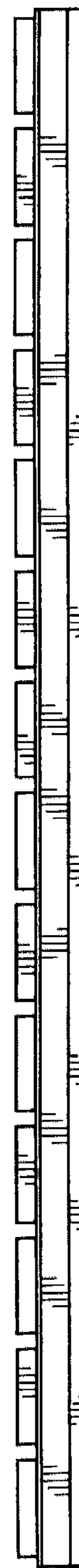


Fig. 3

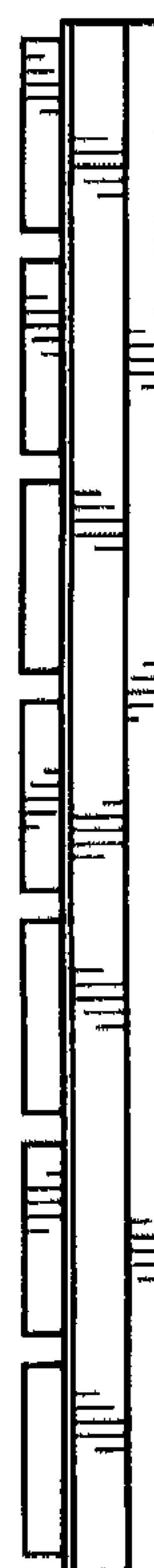


Fig. 4

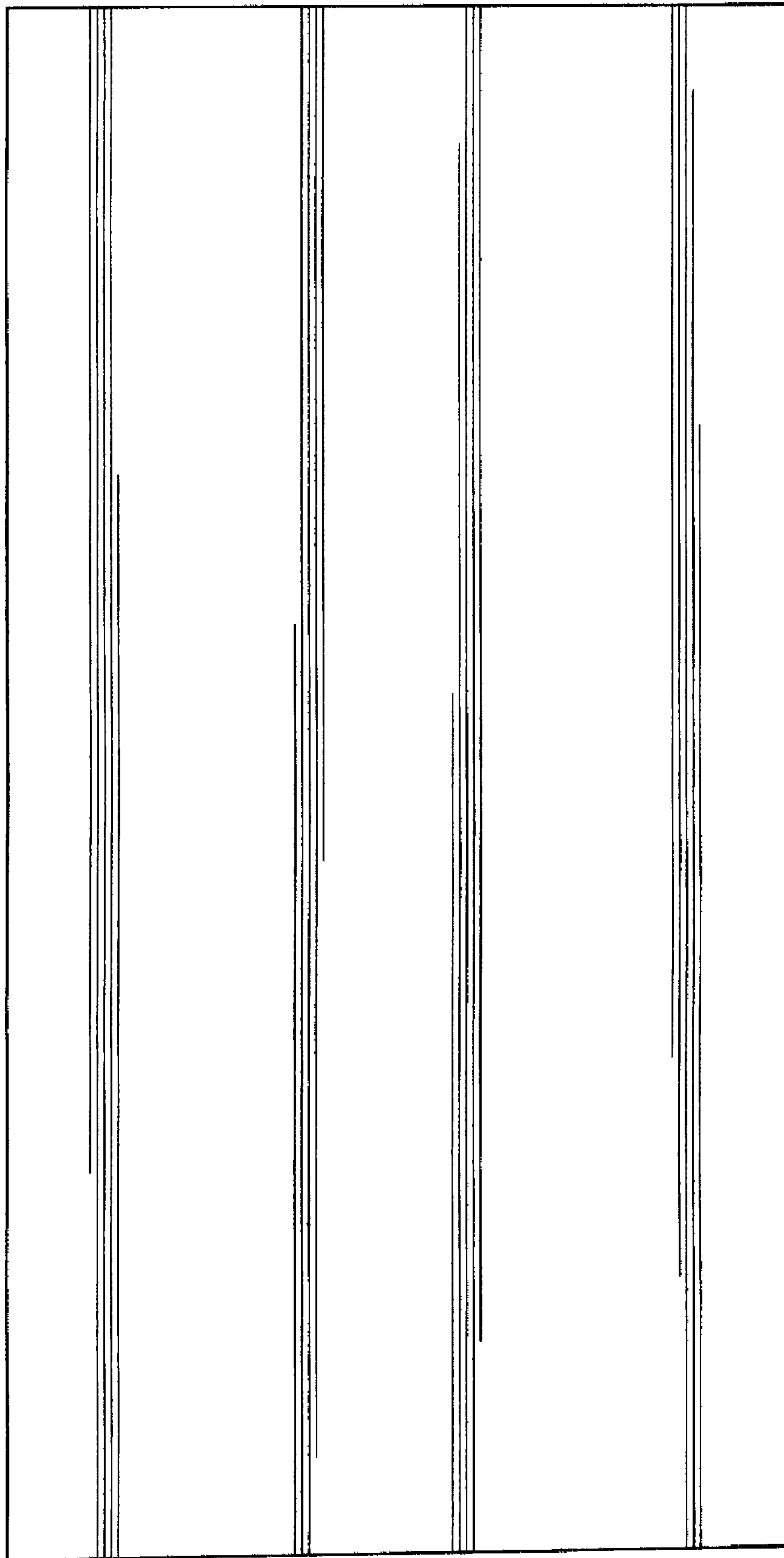


Fig. 5

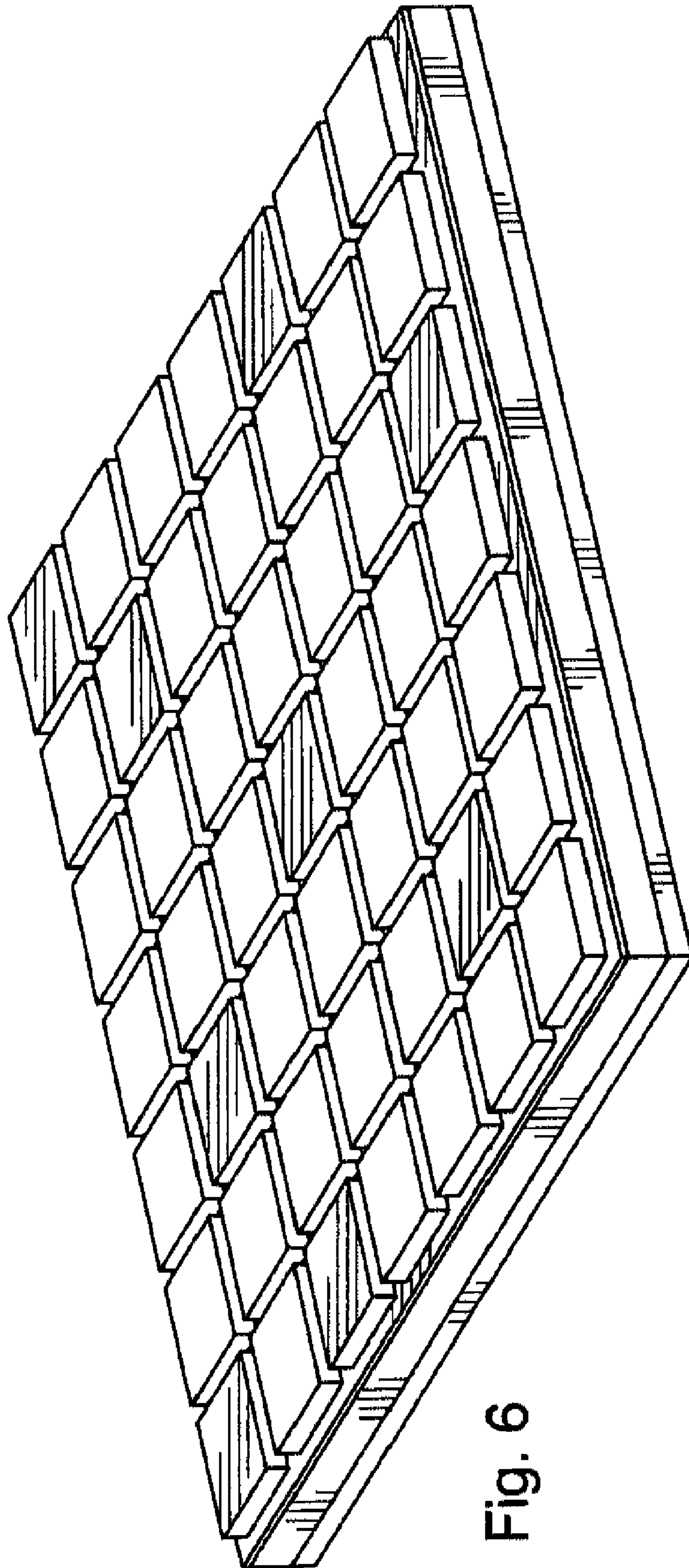


Fig. 6

Fig. 7

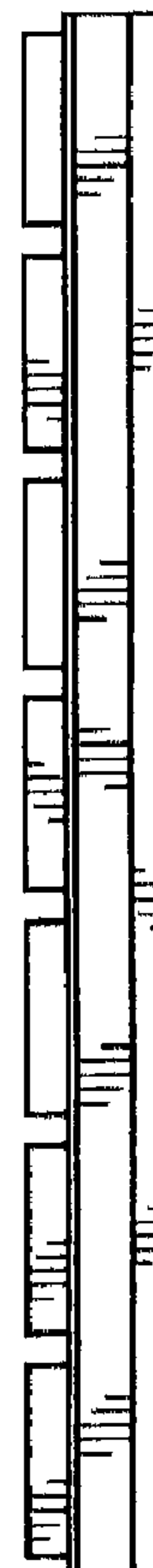
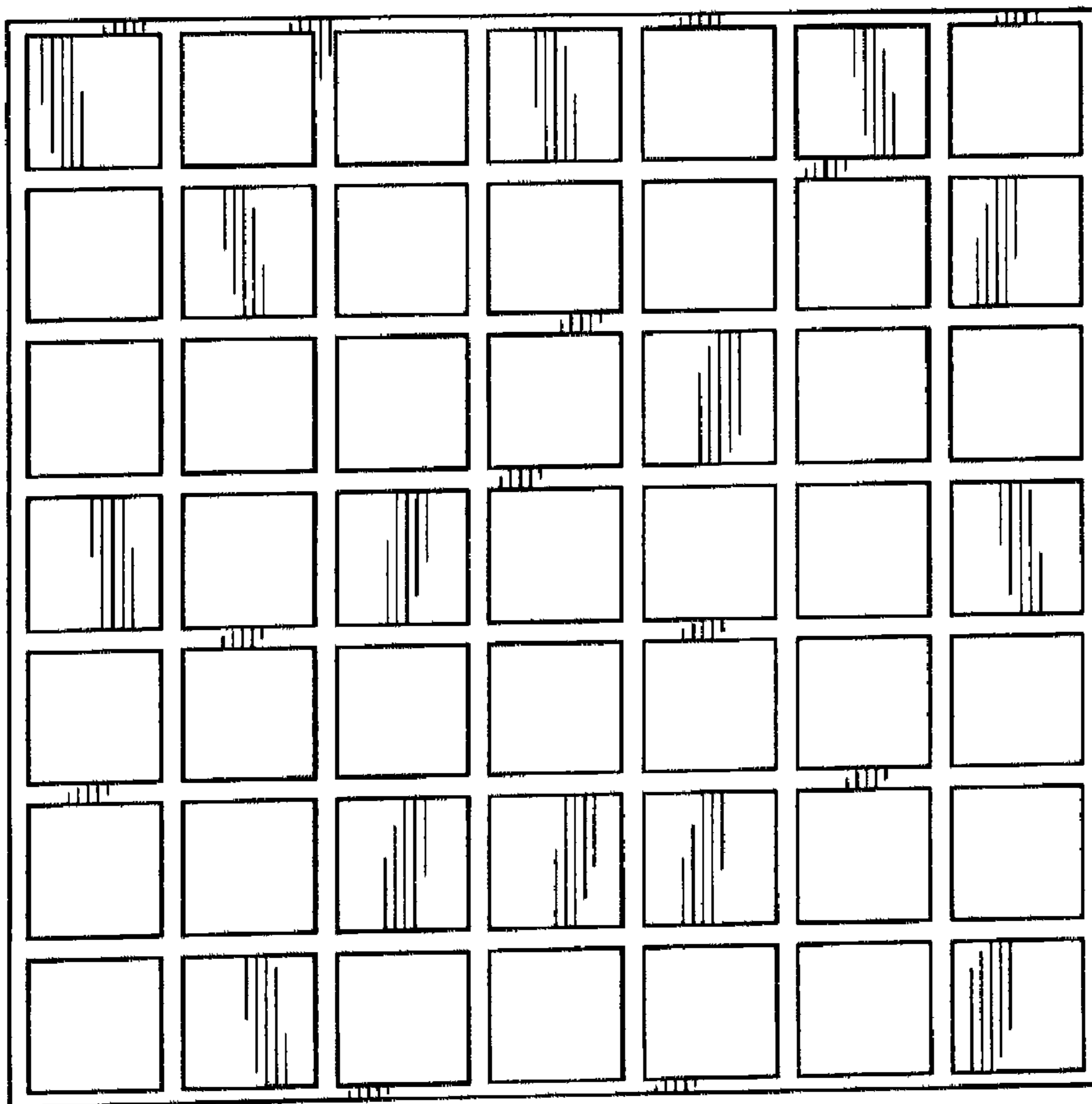


Fig. 8



Fig. 9



Fig. 10