



US00D675750S

(12) **United States Design Patent**
King

(10) **Patent No.:** **US D675,750 S**
(45) **Date of Patent:** **** Feb. 5, 2013**

(54) **STORM SHUTTER TRACK GUARD**

(75) Inventor: **William King**, Wellington, FL (US)

(73) Assignee: **KINGDM LLC**, Wellington, FL (US)

(**) Term: **14 Years**

(21) Appl. No.: **29/402,075**

(22) Filed: **Sep. 20, 2011**

(51) **LOC (9) Cl.** **25-01**

(52) **U.S. Cl.** **D25/122; D25/48.4**

(58) **Field of Classification Search** D25/122,
D25/48.4; 52/222, 202, 203; 49/91.1
See application file for complete search history.

(56) **References Cited**

U.S. PATENT DOCUMENTS

2,952,885	A *	9/1960	Richardson	49/82.1
3,750,332	A *	8/1973	Dulebohn et al.	49/74.1
D300,249	S *	3/1989	Morrison et al.	D25/48.4
D409,766	S *	5/1999	Gabriele	D25/122
5,918,430	A	7/1999	Rowland		
6,141,921	A	11/2000	Leeuwenburgh et al.		
6,263,625	B1	7/2001	LaPointe		
6,886,300	B2	5/2005	Hudoba et al.		
D599,487	S	9/2009	Murray		
2005/0060940	A1 *	3/2005	Alexander et al.	49/403
2007/0227083	A1	10/2007	Skobba		
2007/0227084	A1 *	10/2007	Skobba	52/202
2008/0078131	A1	4/2008	Grimes		
2008/0271395	A1 *	11/2008	Stackenwalt et al.	52/222
2009/0019797	A1 *	1/2009	Gunn	52/202

FOREIGN PATENT DOCUMENTS

JP 06108757 A 4/1994
WO W02008137555 11/2008

OTHER PUBLICATIONS

Internet Article: Storm Catcher Screens., URL: <http://www.emeraldcoastglass.com/hurricane-shutters-fl/storm-shutter-styles.html#removable>. (Sep. 20, 2010).
Internet Article: AstroGuard., <http://www.hurricaneprotection.net/features.php>. High impact by hurricanefabric.com (Sep. 20, 2010).

* cited by examiner

Primary Examiner — Doris Clark

(74) *Attorney, Agent, or Firm* — McHale & Slavin, P.A.

(57) **CLAIM**

The ornamental design for a storm shutter track guard, as shown and described.

DESCRIPTION

FIG. 1 is a perspective view of the storm shutter track guard of the instant invention;

FIG. 2 is an end view thereof;

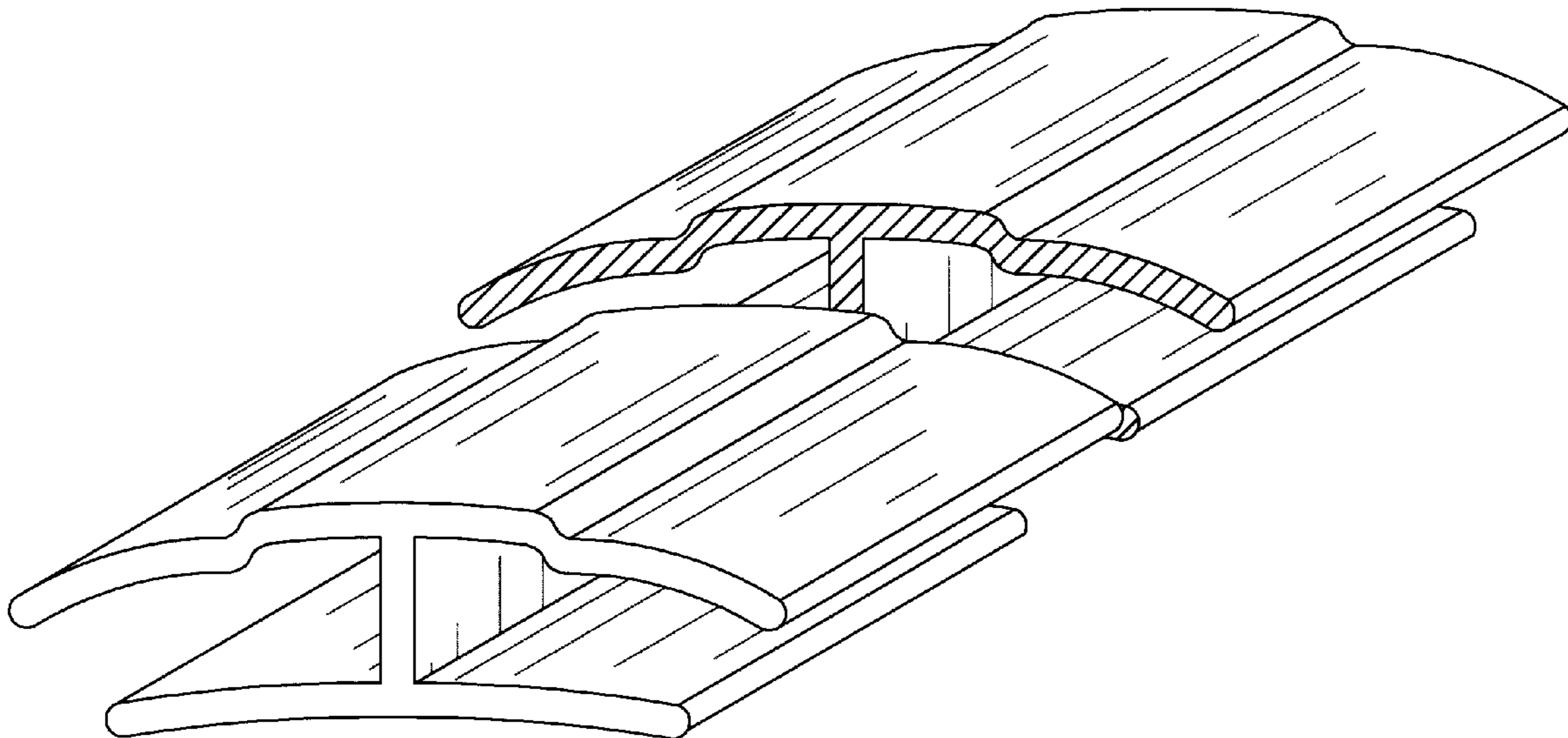
FIG. 3 is a top view thereof;

FIG. 4 is a bottom view thereof; and,

FIG. 5 is a pictorial view of said storm shutter track guard positioned along the lower track of window mounted storm shutter.

The broken lines shown in the figures (portions of the design shown in broken/dashed lines) are included for the purpose of illustrating environment and form no part of the claimed design.

1 Claim, 5 Drawing Sheets



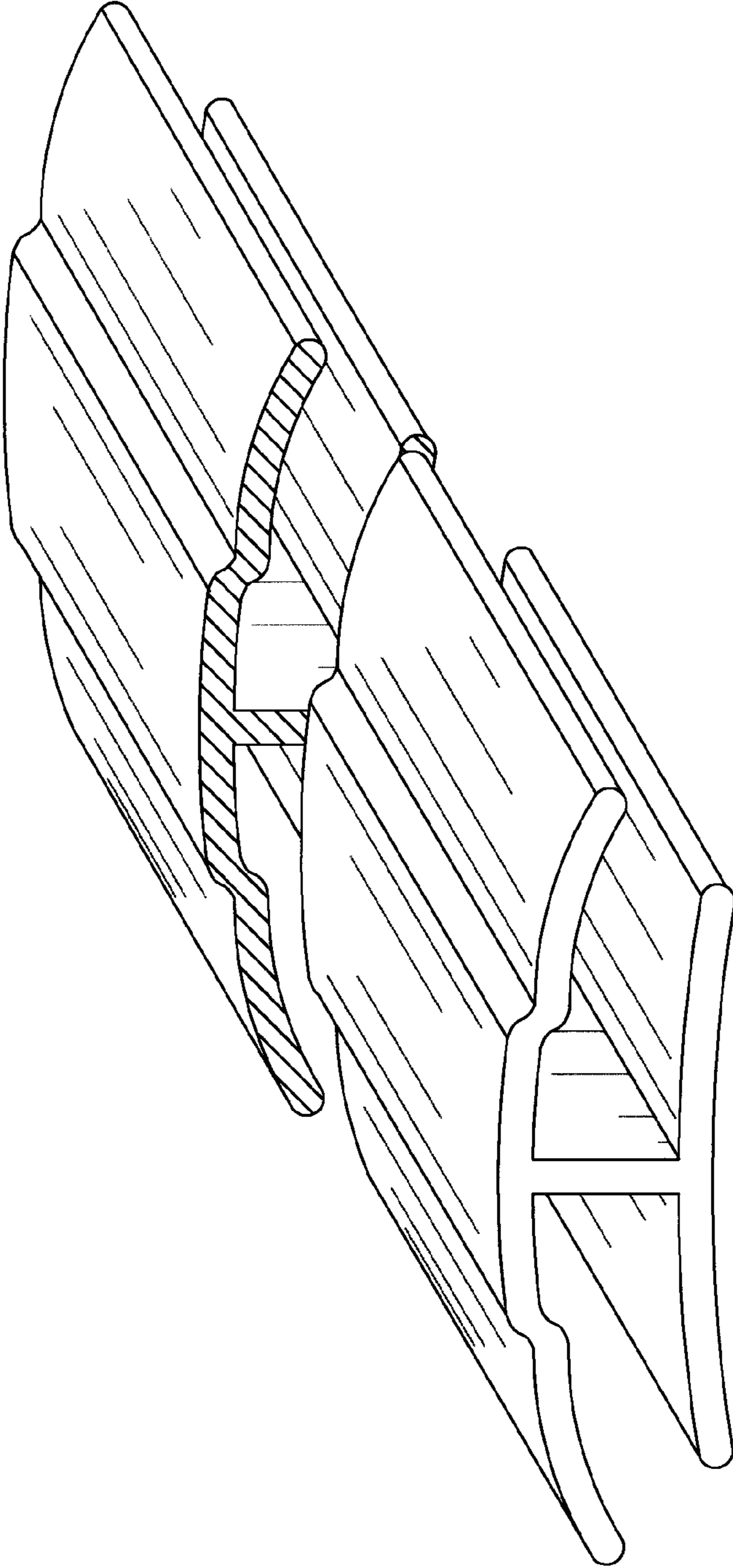


Fig. 1

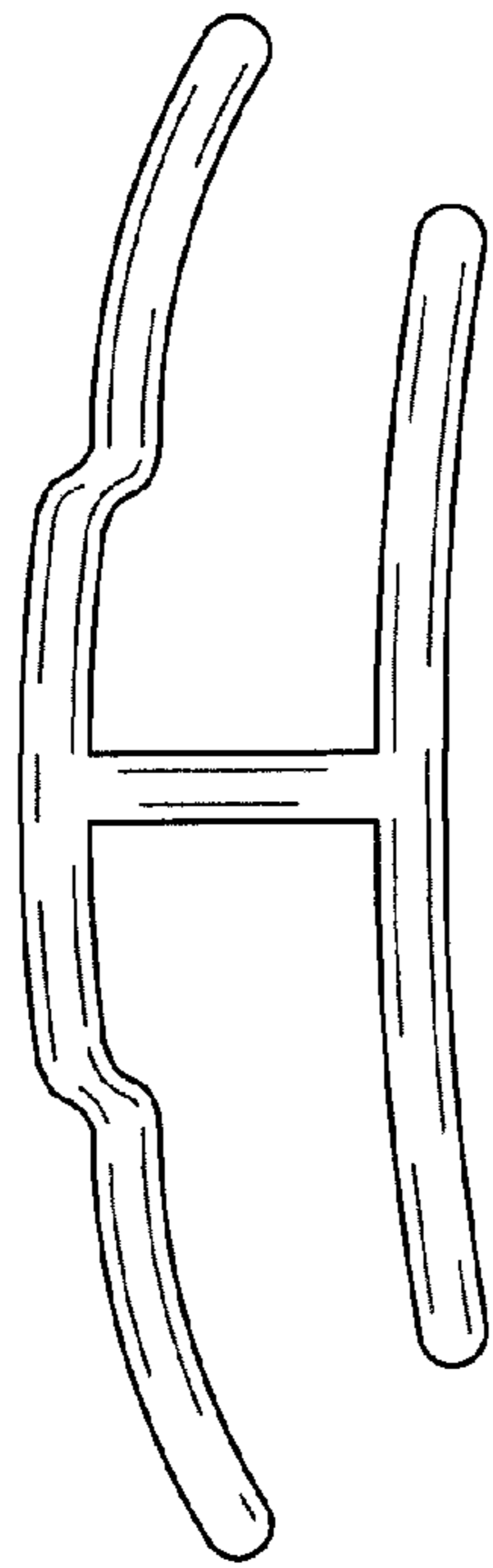


Fig. 2

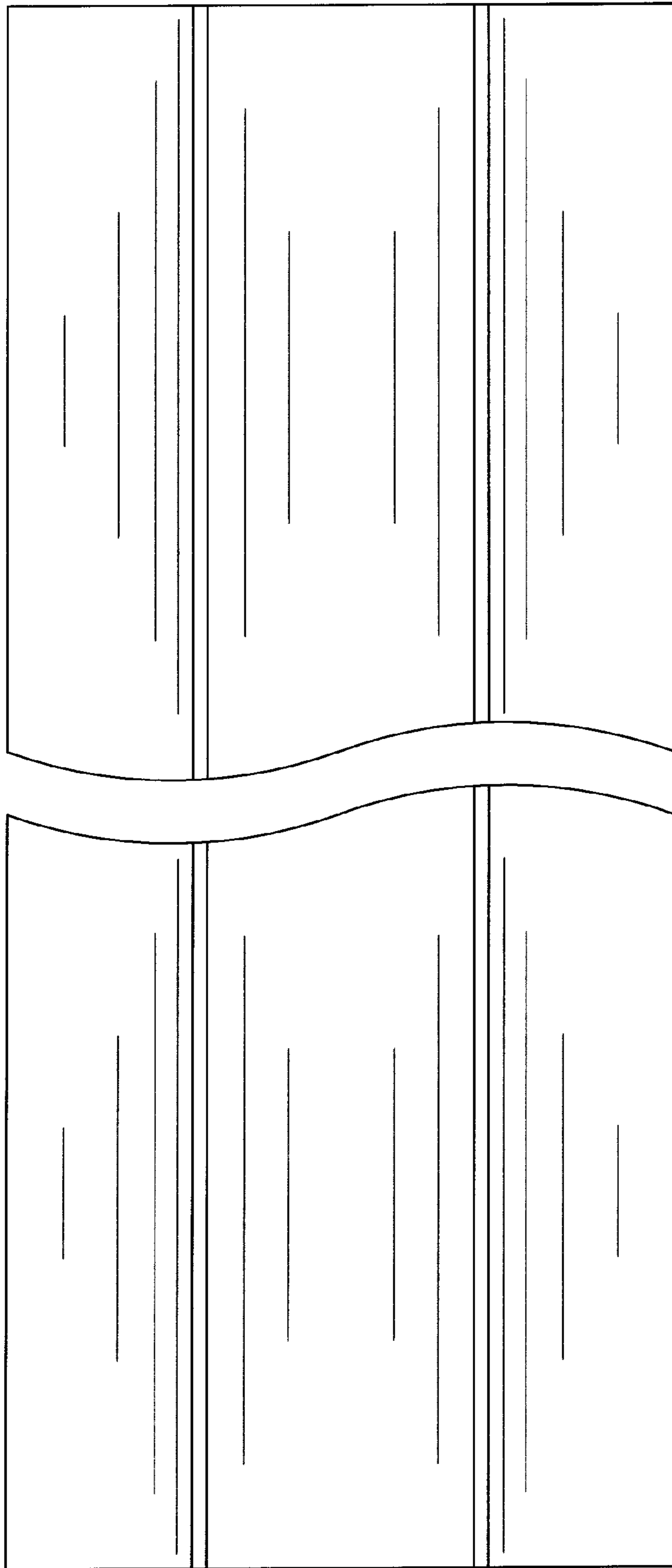


Fig. 3

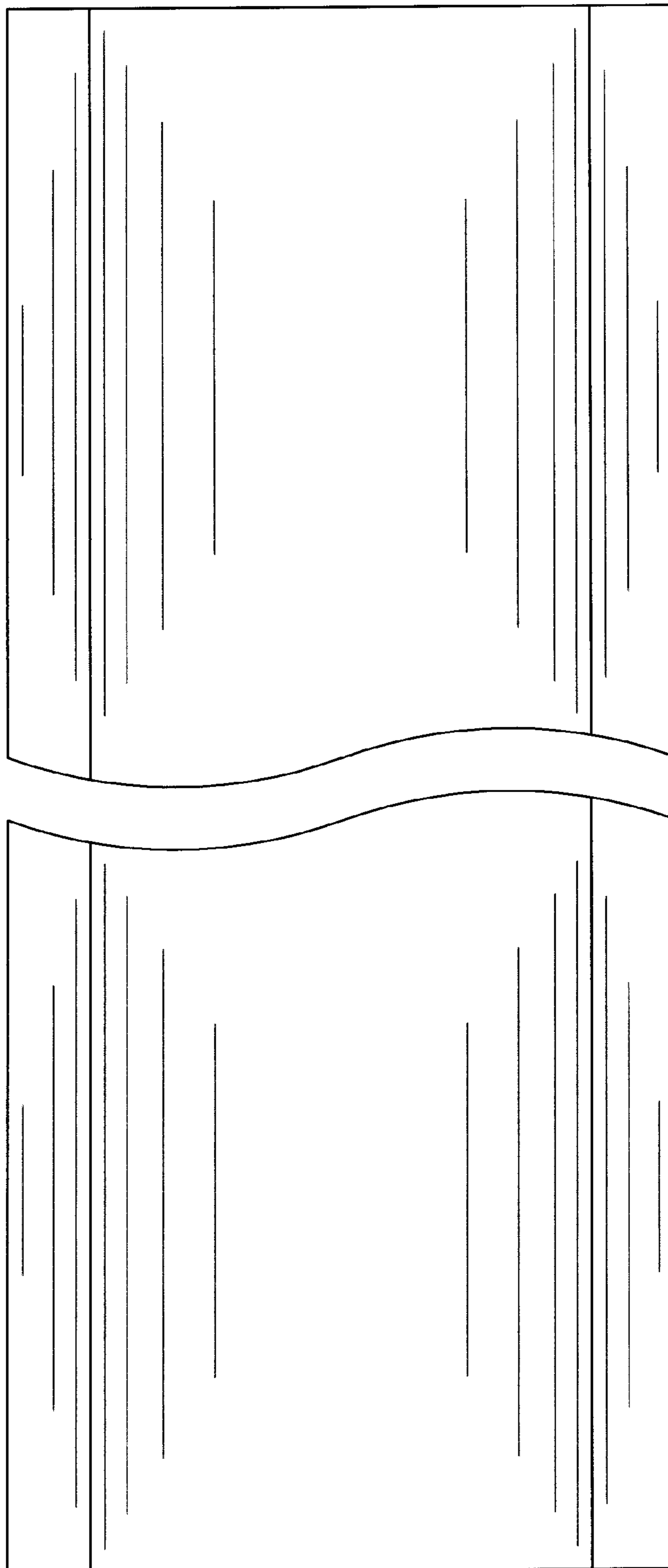


Fig. 4

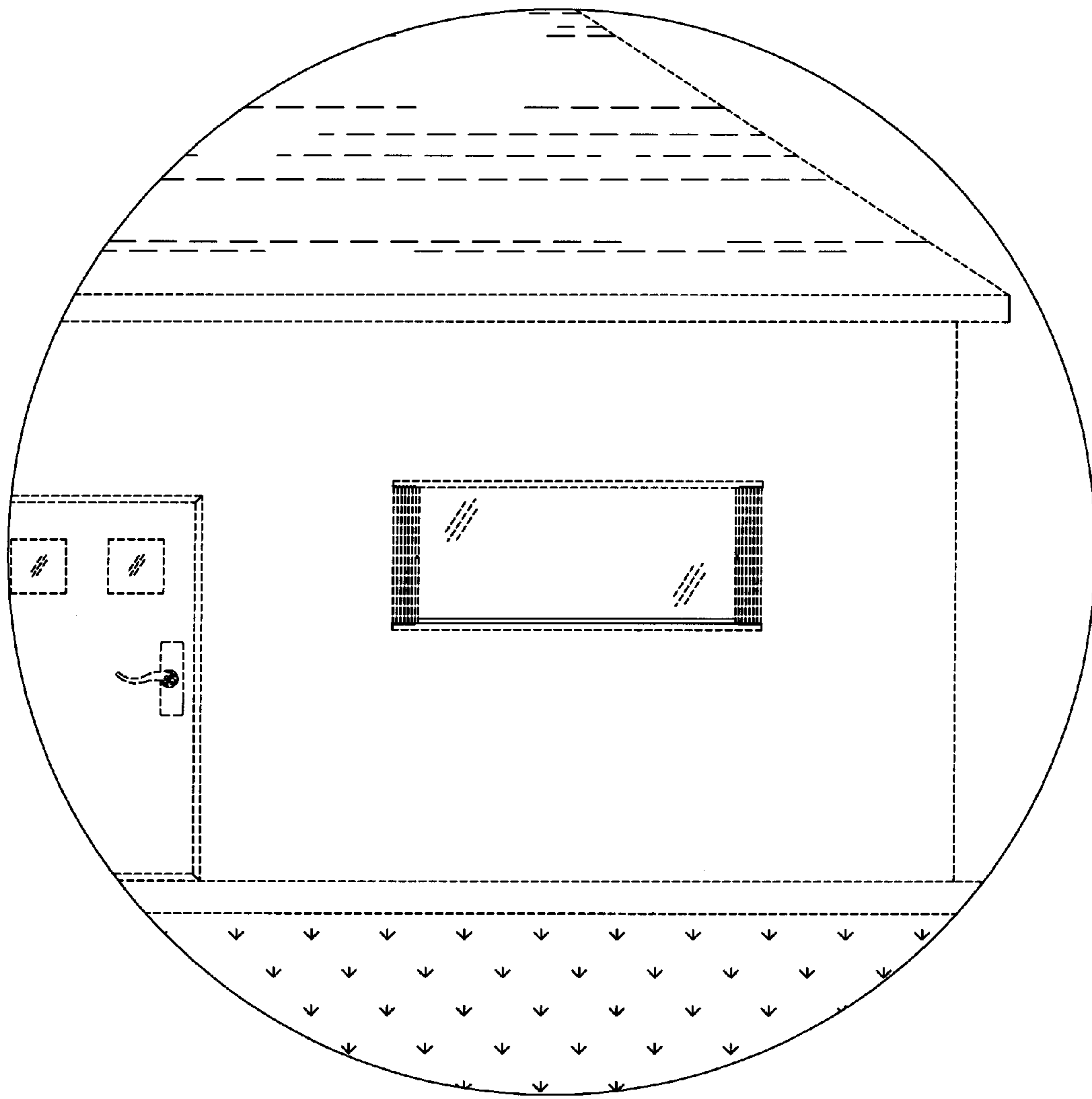


Fig. 5