



US00D675749S

(12) **United States Design Patent**
Nanayakkara

(10) **Patent No.:** **US D675,749 S**

(45) **Date of Patent:** **** Feb. 5, 2013**

(54) **ELONGATE INTER-LOCKING
CONSTRUCTION BLOCK**

(76) Inventor: **Lakdas Nanayakkara**, Boca Raton, FL
(US)

(**) Term: **14 Years**

(21) Appl. No.: **29/416,092**

(22) Filed: **Mar. 19, 2012**

Related U.S. Application Data

(63) Continuation-in-part of application No. 29/414,563,
filed on Feb. 29, 2012.

(51) **LOC (9) Cl.** **25-01**

(52) **U.S. Cl.** **D25/113**

(58) **Field of Classification Search** D25/102-118,
D25/138, 152, 157-162, 164; D21/484-491,
D21/499-504; 405/16, 284, 286; 52/503-505,
52/574, 575, 596-612; 404/27-42
See application file for complete search history.

(56) **References Cited**

U.S. PATENT DOCUMENTS

D252,951 S * 9/1979 Schuring D25/113
D420,711 S * 2/2000 Glickman D21/503

D457,971 S * 5/2002 Schrader et al. D25/113
D468,839 S * 1/2003 Bland D25/113
6,578,338 B1 * 6/2003 Nanayakkara 52/606
D479,000 S * 8/2003 van Oort D25/113
D612,069 S * 3/2010 Usul et al. D25/113
8,061,095 B2 * 11/2011 Bucheger 52/604
2002/0046529 A1 * 4/2002 Nanayakkara 52/606

* cited by examiner

Primary Examiner — Anhdao Doan

(74) *Attorney, Agent, or Firm* — Melvin K. Silverman

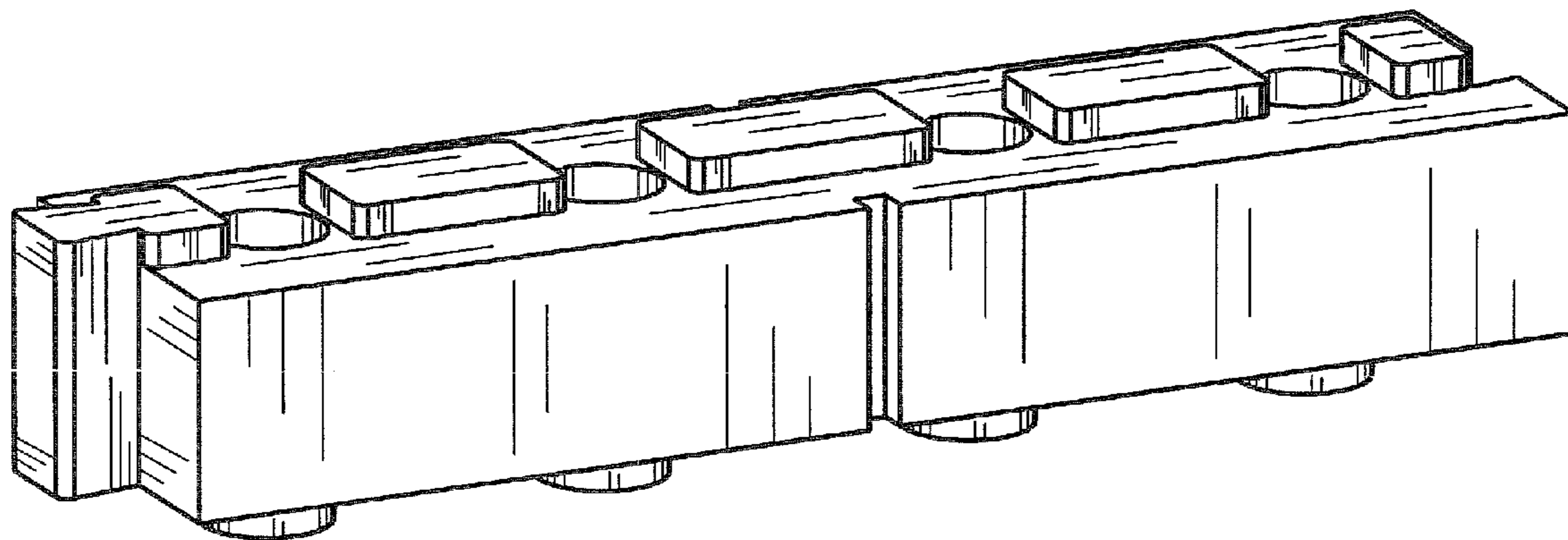
(57) **CLAIM**

The ornamental design for an elongate inter-locking con-
struction block, as shown and described.

DESCRIPTION

FIG. 1 is a top perspective view of an elongate inter-locking
construction block;
FIG. 2 is a bottom perspective view thereof;
FIG. 3 is a top plan view thereof;
FIG. 4 is a front elevational view thereof;
FIG. 5 is a left side elevational view thereof; and,
FIG. 6 is a right side elevational view thereof.

1 Claim, 4 Drawing Sheets



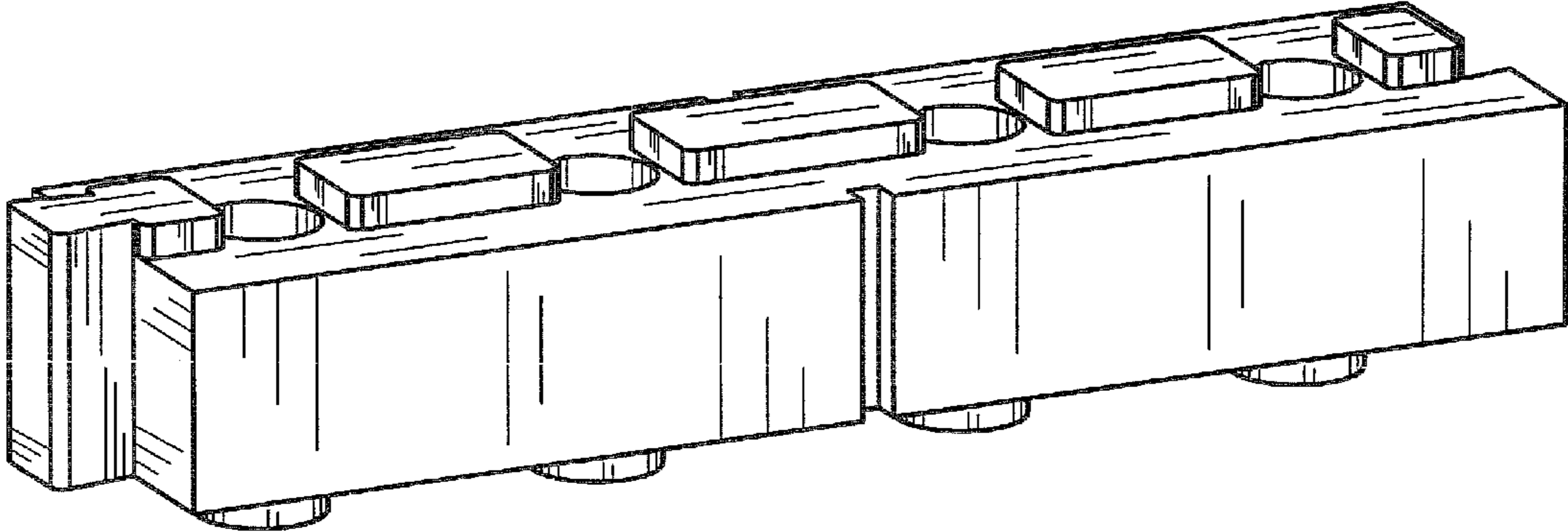


FIG.1

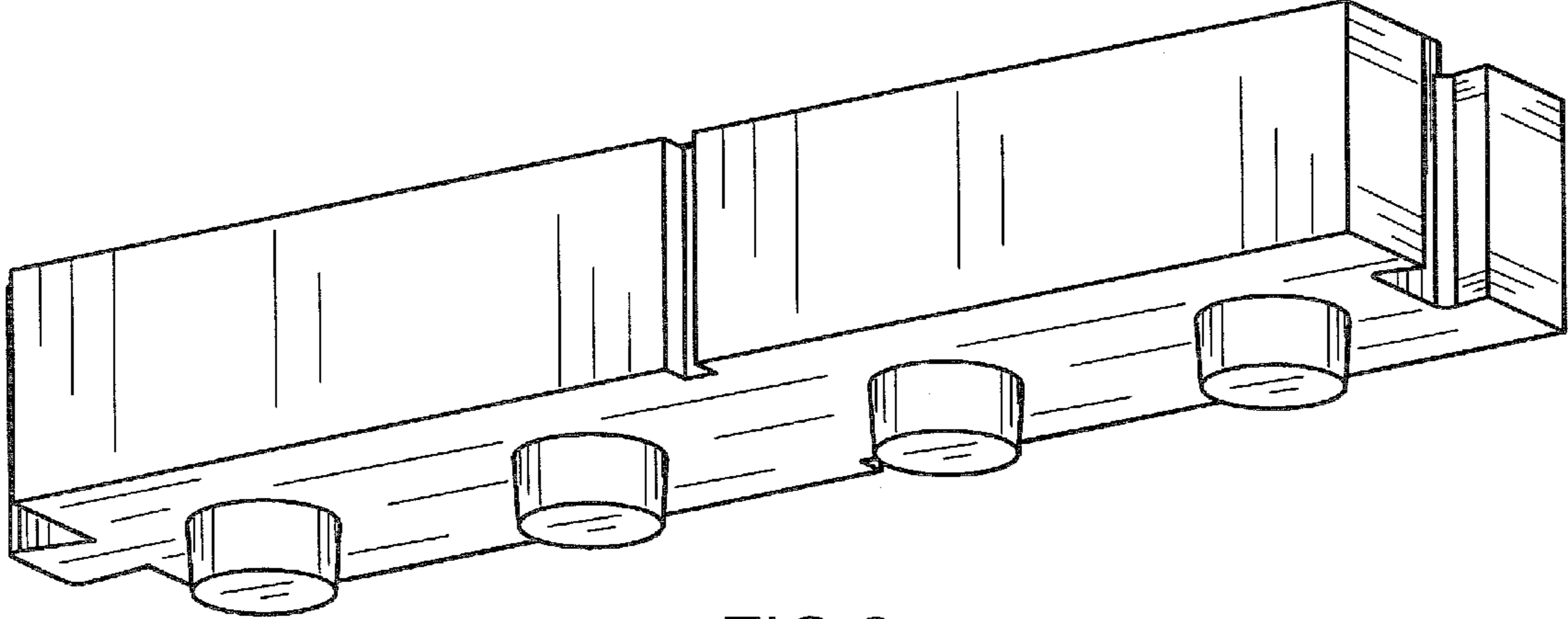


FIG.2

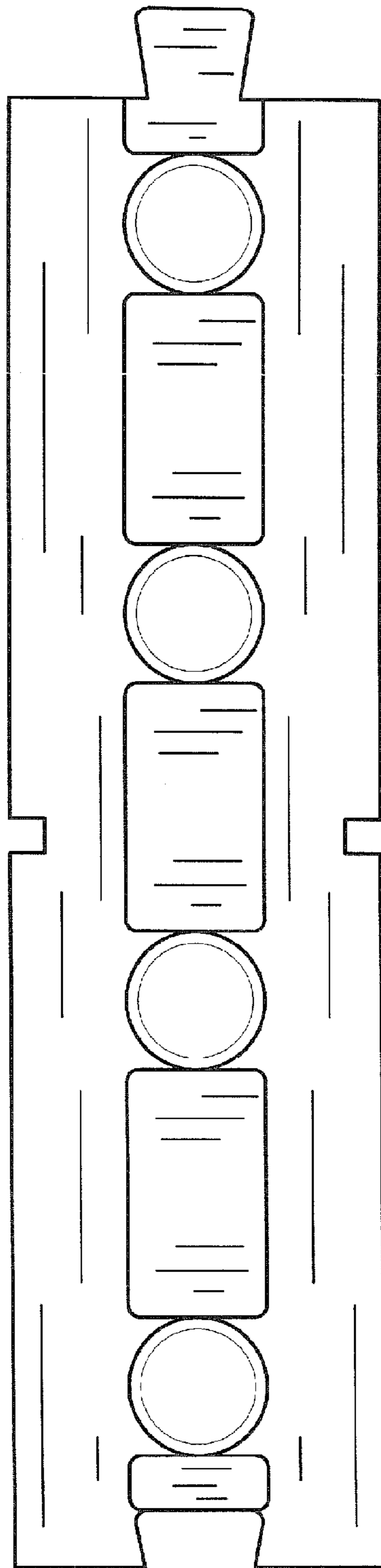


FIG.3

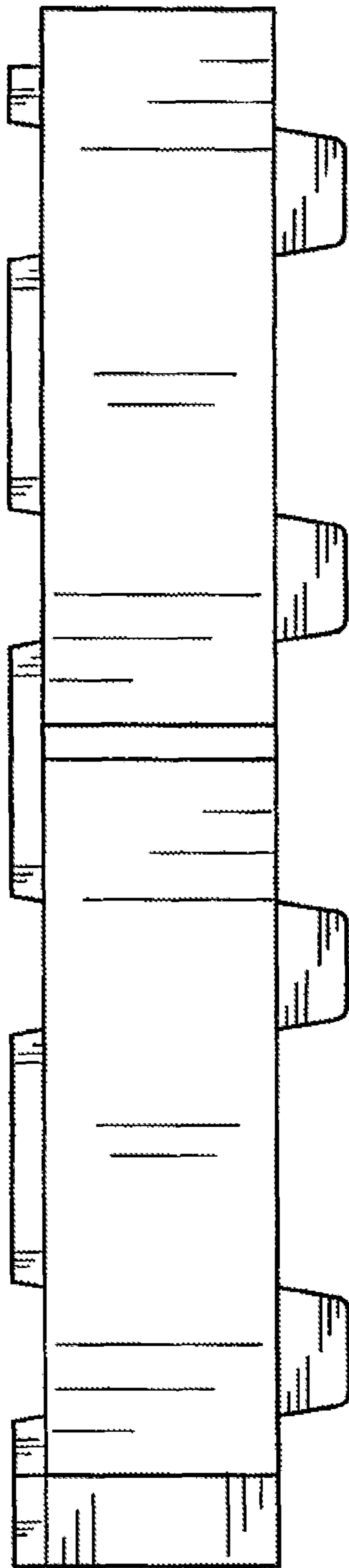


FIG.4

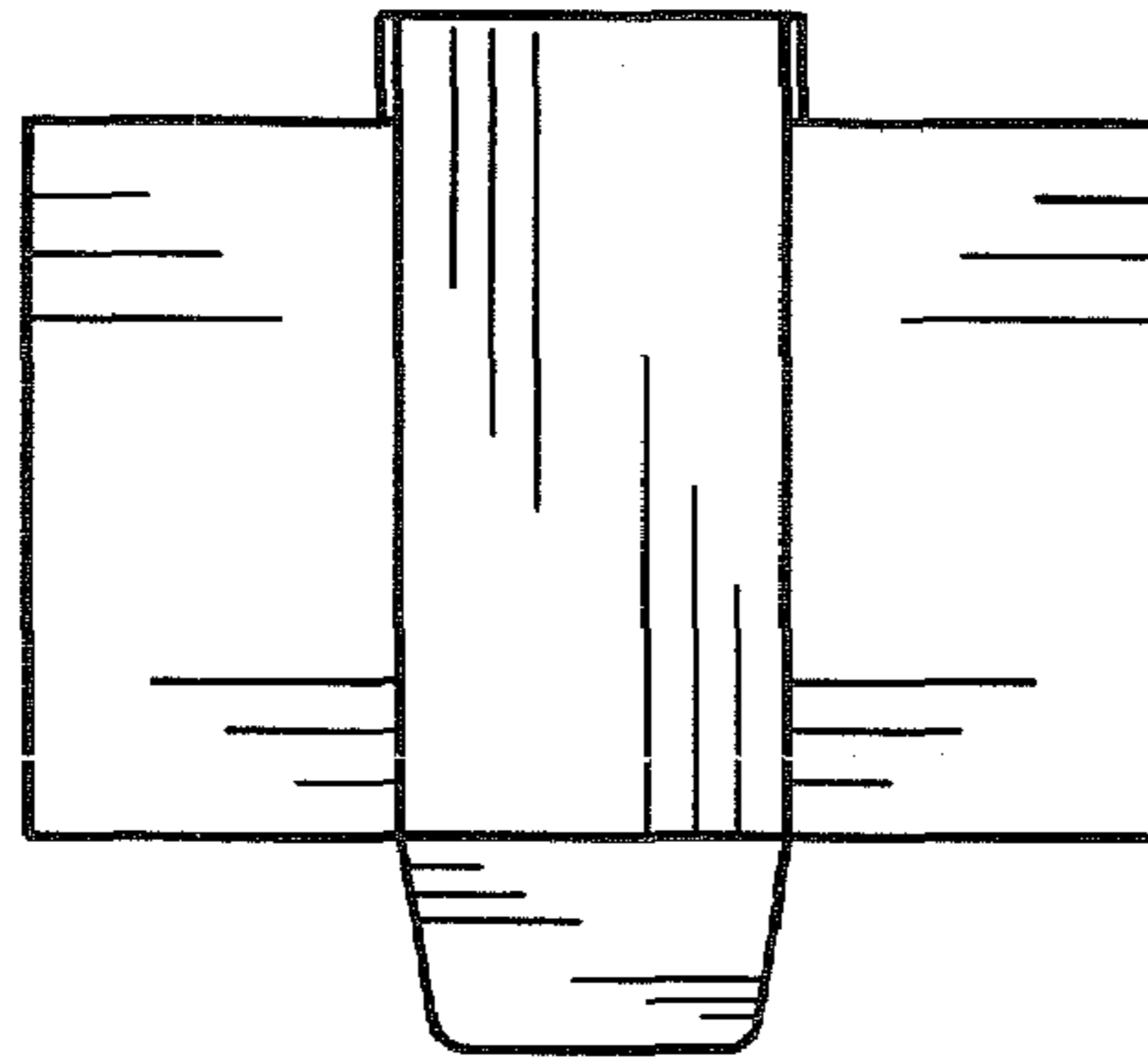


FIG. 5

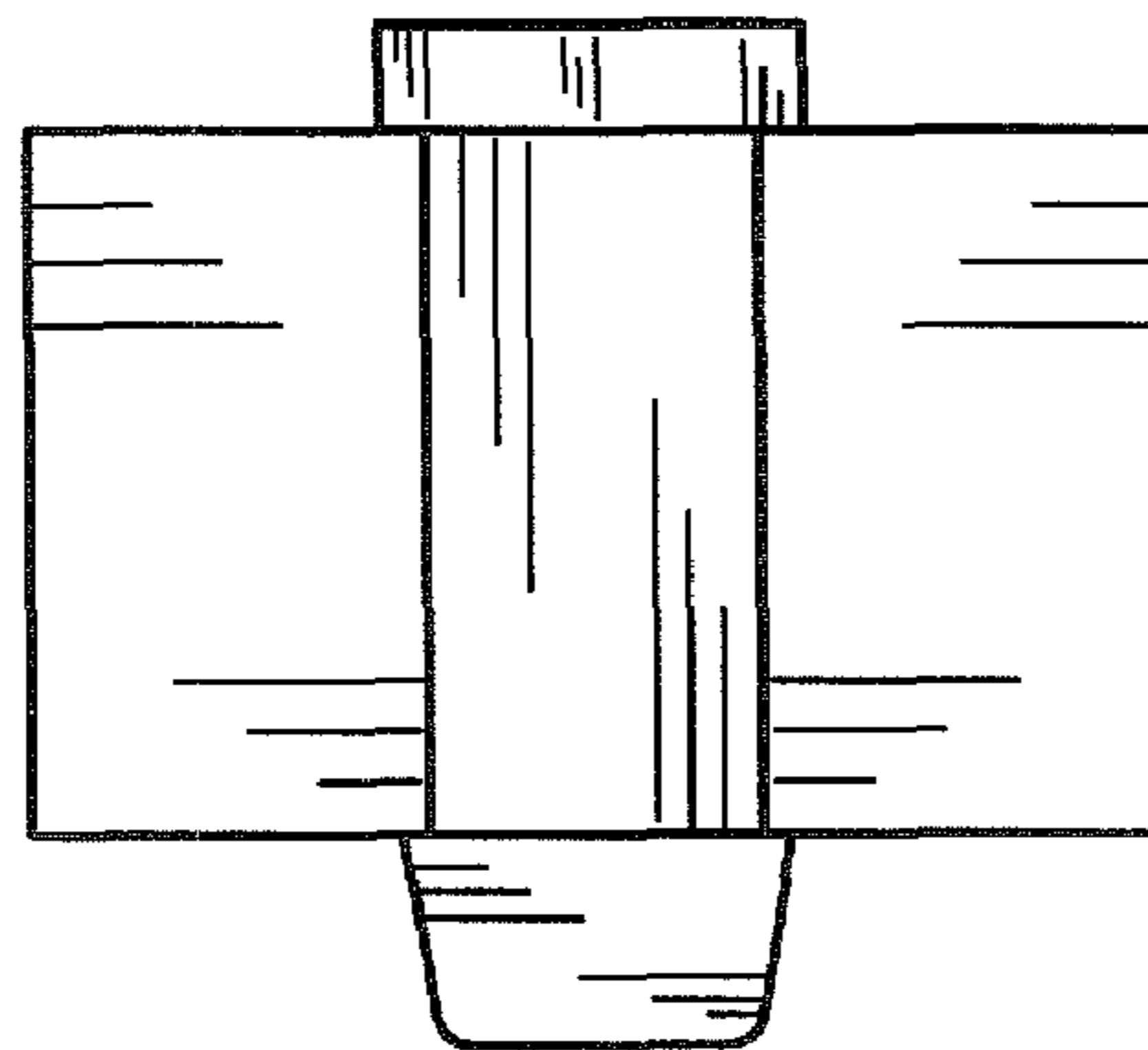


FIG. 6