



US00D675744S

(12) **United States Design Patent**  
**Gomizelj**

(10) **Patent No.:** **US D675,744 S**

(45) **Date of Patent:** **\*\* Feb. 5, 2013**

(54) **BACK MOBILIZING BAR**

(76) Inventor: **Ben Gomizelj**, Burlington (CA)

(\*\*) Term: **14 Years**

(21) Appl. No.: **29/398,186**

(22) Filed: **Jul. 27, 2011**

(51) **LOC (9) Cl.** ..... **24-04**

(52) **U.S. Cl.** ..... **D24/188**

(58) **Field of Classification Search** ..... D24/188,  
D24/200; D21/191, 195, 198; 601/97, 98,  
601/100, 115, 128, 131, 134, 136, 691; 602/16  
See application file for complete search history.

(56) **References Cited**

**U.S. PATENT DOCUMENTS**

|           |     |         |             |       |           |
|-----------|-----|---------|-------------|-------|-----------|
| 3,675,646 | A * | 7/1972  | Corcoran    | ..... | 602/32    |
| 3,685,511 | A * | 8/1972  | Alvarez     | ..... | 601/115   |
| D264,242  | S * | 5/1982  | LaRue       | ..... | D24/188   |
| D275,607  | S * | 9/1984  | Blackman    | ..... | D24/188   |
| 4,602,619 | A * | 7/1986  | Wolf et al. | ..... | 606/241   |
| D285,137  | S * | 8/1986  | Svensson    | ..... | D34/28    |
| 4,637,604 | A * | 1/1987  | Burt DuPont | ..... | 482/148   |
| D310,882  | S * | 9/1990  | Pope        | ..... | D24/188   |
| 5,054,137 | A * | 10/1991 | Christensen | ..... | 5/81.1 RP |

|           |      |         |               |       |         |
|-----------|------|---------|---------------|-------|---------|
| D349,344  | S *  | 8/1994  | Kudlak        | ..... | D24/183 |
| D367,118  | S *  | 2/1996  | Miller et al. | ..... | D24/188 |
| D372,982  | S *  | 8/1996  | Williams      | ..... | D24/188 |
| D385,930  | S *  | 11/1997 | Chen          | ..... | D21/687 |
| D413,948  | S *  | 9/1999  | Dalebout      | ..... | D21/687 |
| D431,080  | S *  | 9/2000  | Anderson      | ..... | D24/188 |
| D450,851  | S *  | 11/2001 | Herndon       | ..... | D24/188 |
| 6,876,883 | B2 * | 4/2005  | Hurtado       | ..... | 607/48  |
| 7,369,895 | B2 * | 5/2008  | Hurtado       | ..... | 607/48  |
| D594,989  | S *  | 6/2009  | Carlson       | ..... | D24/188 |

\* cited by examiner

*Primary Examiner* — T. Chase Nelson

*Assistant Examiner* — Michelle E Wilson

(57) **CLAIM**

The ornamental design for a back mobilizing bar, as shown and described.

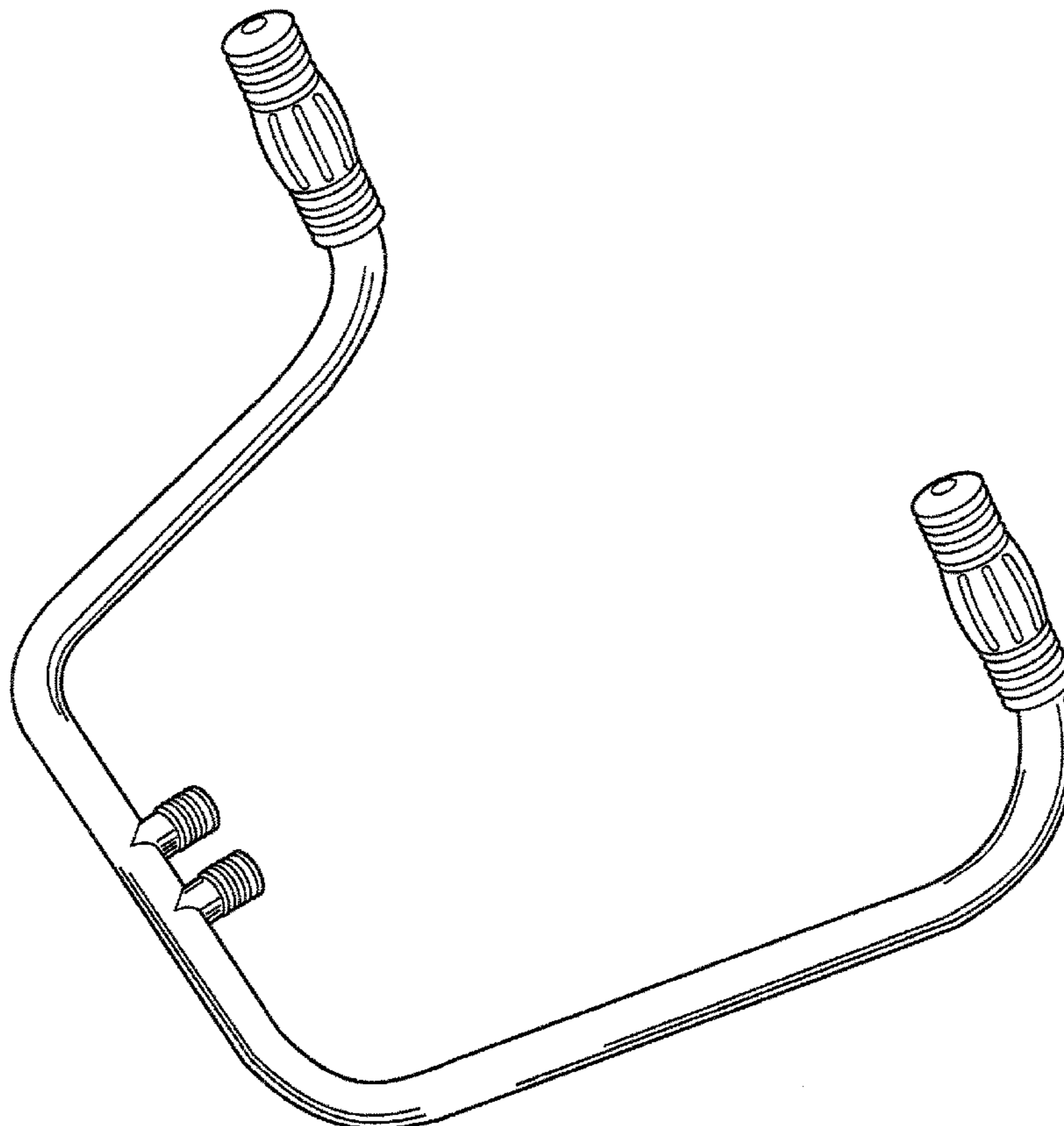
**DESCRIPTION**

FIG. 1 is a bottom perspective view of the present design a back mobilizing bar.

FIG. 2 is a front bottom perspective view of the back mobilizing bar shown in FIG. 1; and,

FIG. 3 is a top perspective view of the back mobilizing bar shown in FIG. 1.

**1 Claim, 3 Drawing Sheets**



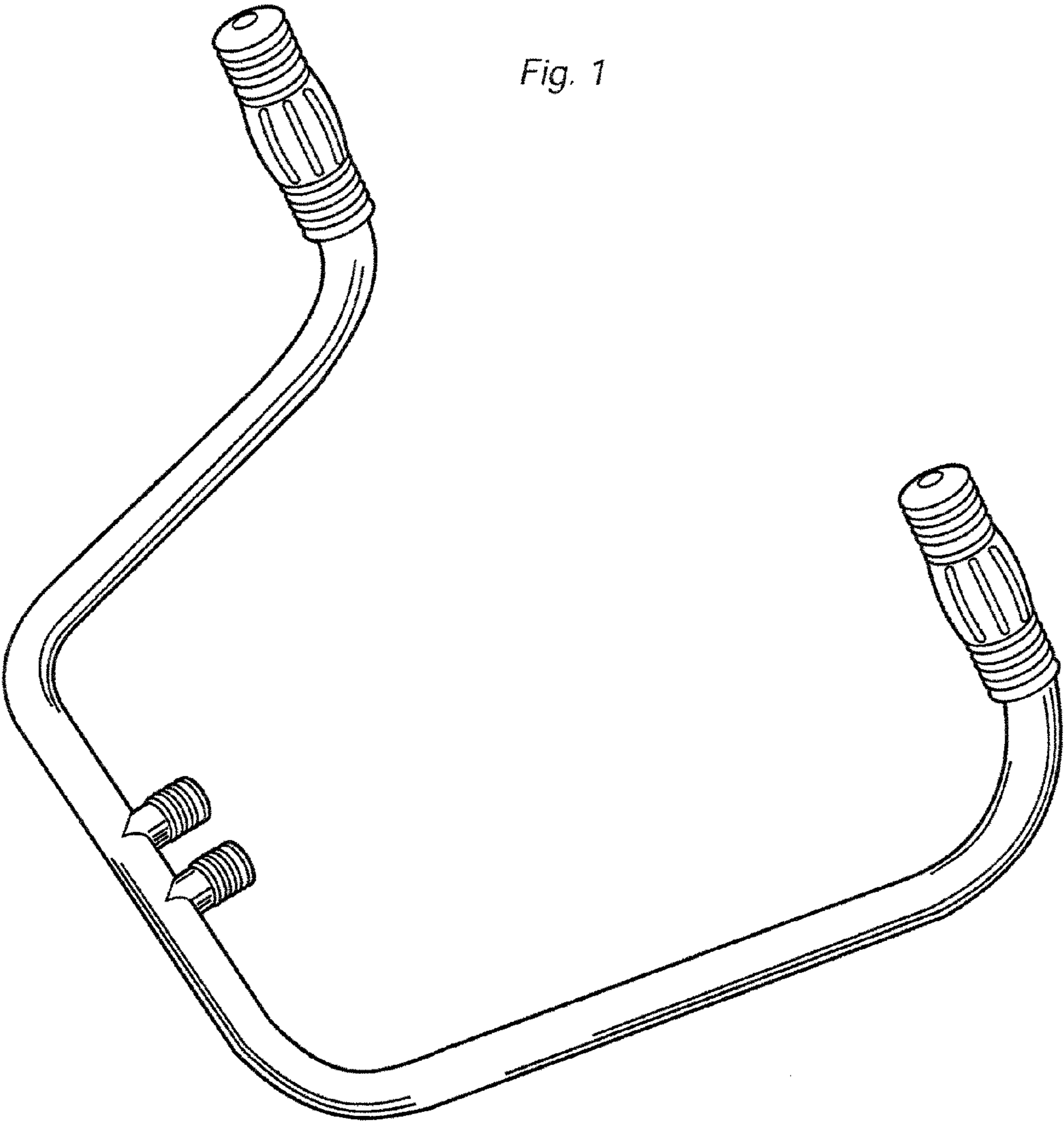


Fig. 1

Fig. 2

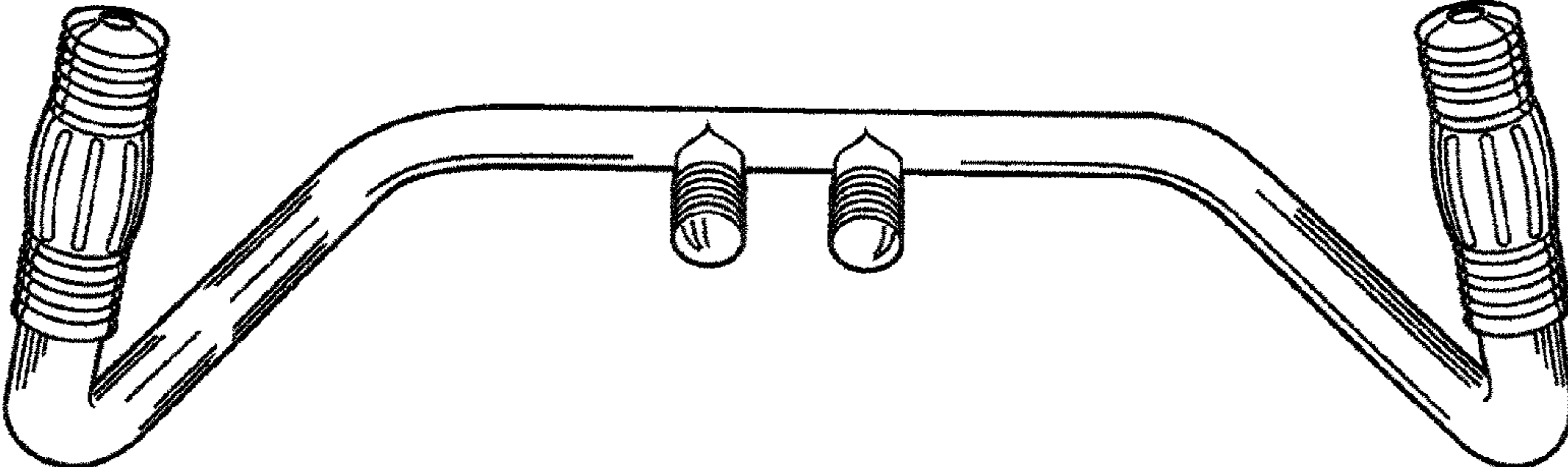


Fig. 3

