



US00D675743S

(12) **United States Design Patent**
Ikegame

(10) **Patent No.:** **US D675,743 S**

(45) **Date of Patent:** **** Feb. 5, 2013**

(54) **ULTRASONOGRAPH**

(75) Inventor: **Haruka Ikegame**, Tokyo (JP)

(73) Assignee: **Fujifilm Corporation**, Tokyo (JP)

(**) Term: **14 Years**

(21) Appl. No.: **29/327,790**

(22) Filed: **Nov. 13, 2008**

(30) **Foreign Application Priority Data**

May 26, 2008 (JP) 2008-013141

(51) **LOC (9) Cl.** **24-01**

(52) **U.S. Cl.** **D24/187**

(58) **Field of Classification Search** D24/158-161,
D24/186-187, 169-170, 200; 600/437, 400,
600/443-444, 459, 447; 378/4, 19-21, 23,
378/25, 27, 146; D14/356; 607/60
See application file for complete search history.

(56) **References Cited**

U.S. PATENT DOCUMENTS

D396,290	S	*	7/1998	Myers et al.	D24/186
D411,622	S	*	6/1999	Hall	D24/170
D438,204	S	*	2/2001	Winkler	D14/356
D445,189	S	*	7/2001	Cannon et al.	D24/160
D461,895	S	*	8/2002	Barnes et al.	D24/158
6,440,076	B1	*	8/2002	Sudol et al.	600/459
6,540,685	B1	*	4/2003	Rhoads et al.	600/459
6,580,948	B2	*	6/2003	Haupt et al.	607/60
D503,807	S	*	4/2005	Ryan	D24/200
D504,953	S	*	5/2005	Ryan	D24/200
D505,726	S	*	5/2005	Ryan	D24/200
D508,998	S	*	8/2005	Ryan	D24/200

D509,900	S	*	9/2005	Barnes et al.	D24/160
D550,366	S	*	9/2007	Zhou et al.	D24/186
D562,456	S	*	2/2008	Scruggs et al.	D24/160
D591,423	S	*	4/2009	Diener et al.	D24/158
D626,235	S	*	10/2010	Smith et al.	D24/158
D629,113	S	*	12/2010	Wodecki	D24/186
D637,291	S	*	5/2011	Wu et al.	D24/158
D639,434	S	*	6/2011	Wodecki et al.	D24/160
2002/0143256	A1	*	10/2002	Wing et al.	600/459
2003/0028113	A1	*	2/2003	Gilbert et al.	600/447
2007/0161905	A1	*	7/2007	Munrow	600/459
2008/0208061	A1	*	8/2008	Halmann	600/459
2008/0249406	A1	*	10/2008	Naruse	600/437
2011/0112399	A1	*	5/2011	Willems et al.	600/437

* cited by examiner

Primary Examiner — T. Chase Nelson

Assistant Examiner — Mark Cavanna

(74) *Attorney, Agent, or Firm* — Young & Thompson

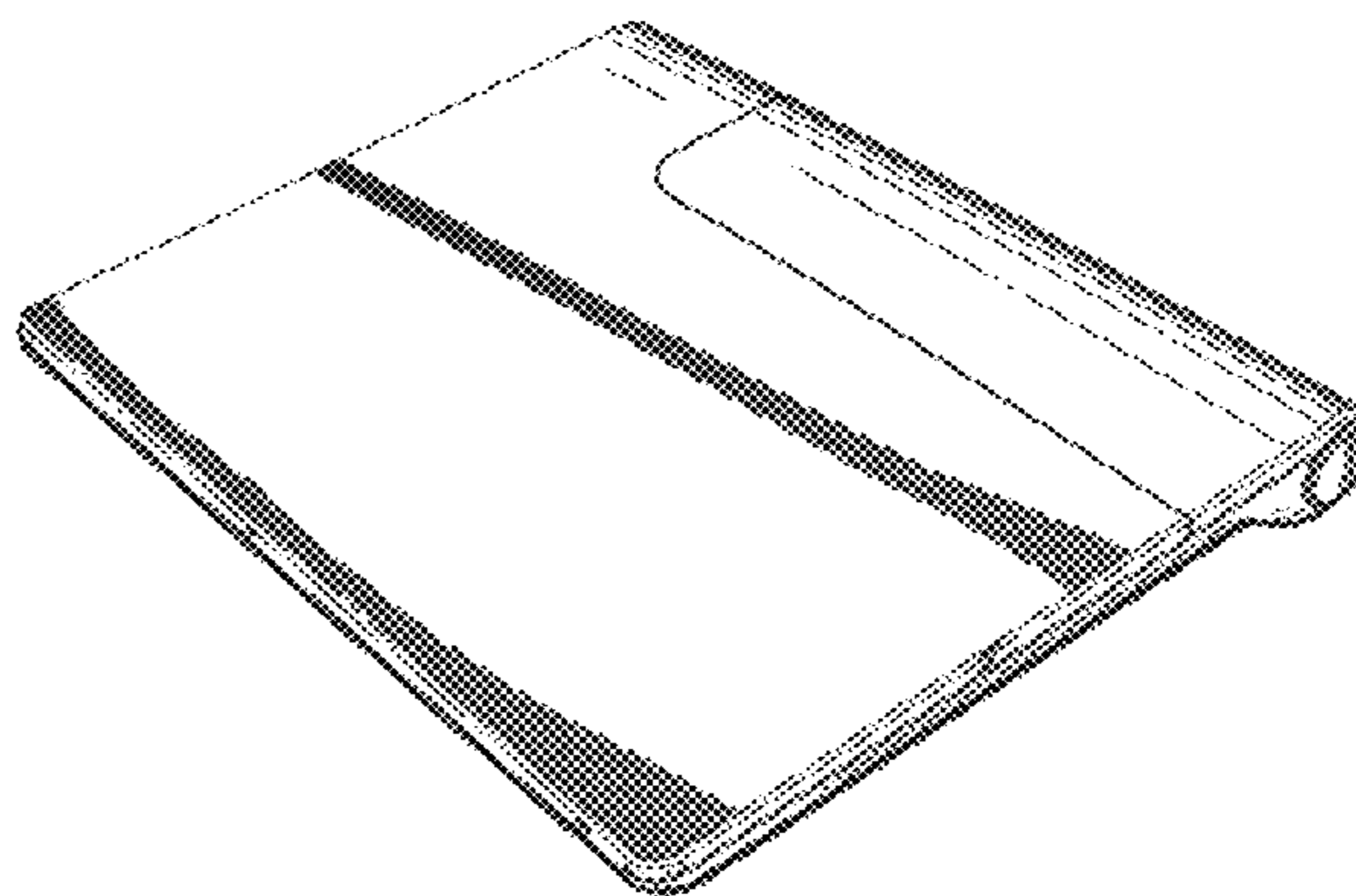
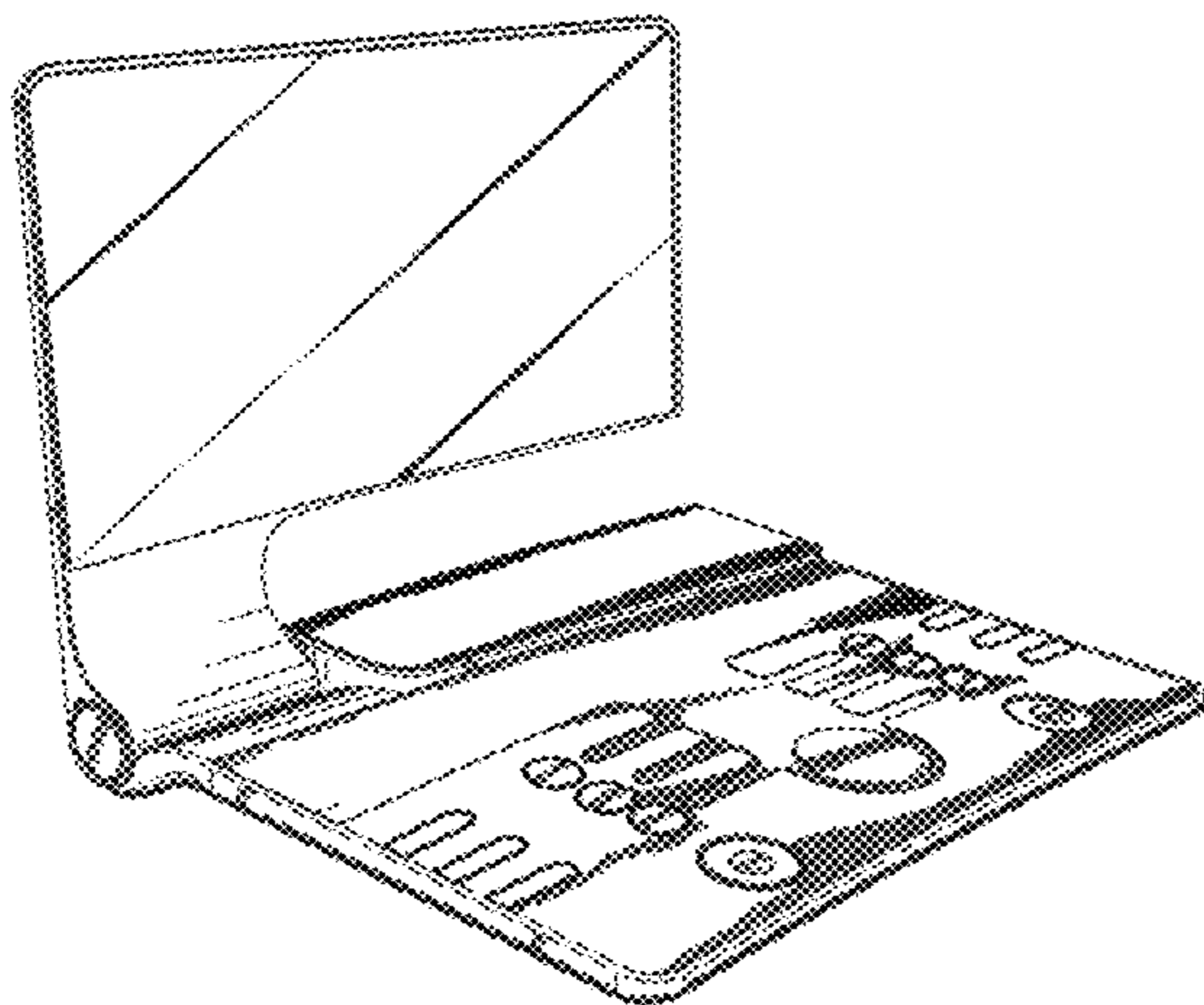
(57) **CLAIM**

The ornamental design for an ultrasonograph, as shown and described.

DESCRIPTION

FIG. 1 is a top, front and side perspective view of an ultrasonograph showing my new design;
FIG. 2 is a front elevational view thereof;
FIG. 3 is a rear elevational view thereof;
FIG. 4 is a top plan view thereof;
FIG. 5 is a bottom plan view thereof;
FIG. 6 is a left side elevational view thereof;
FIG. 7 is a right side elevational view thereof; and,
FIG. 8 is a top, front and side perspective view thereof in an unused state.

1 Claim, 4 Drawing Sheets



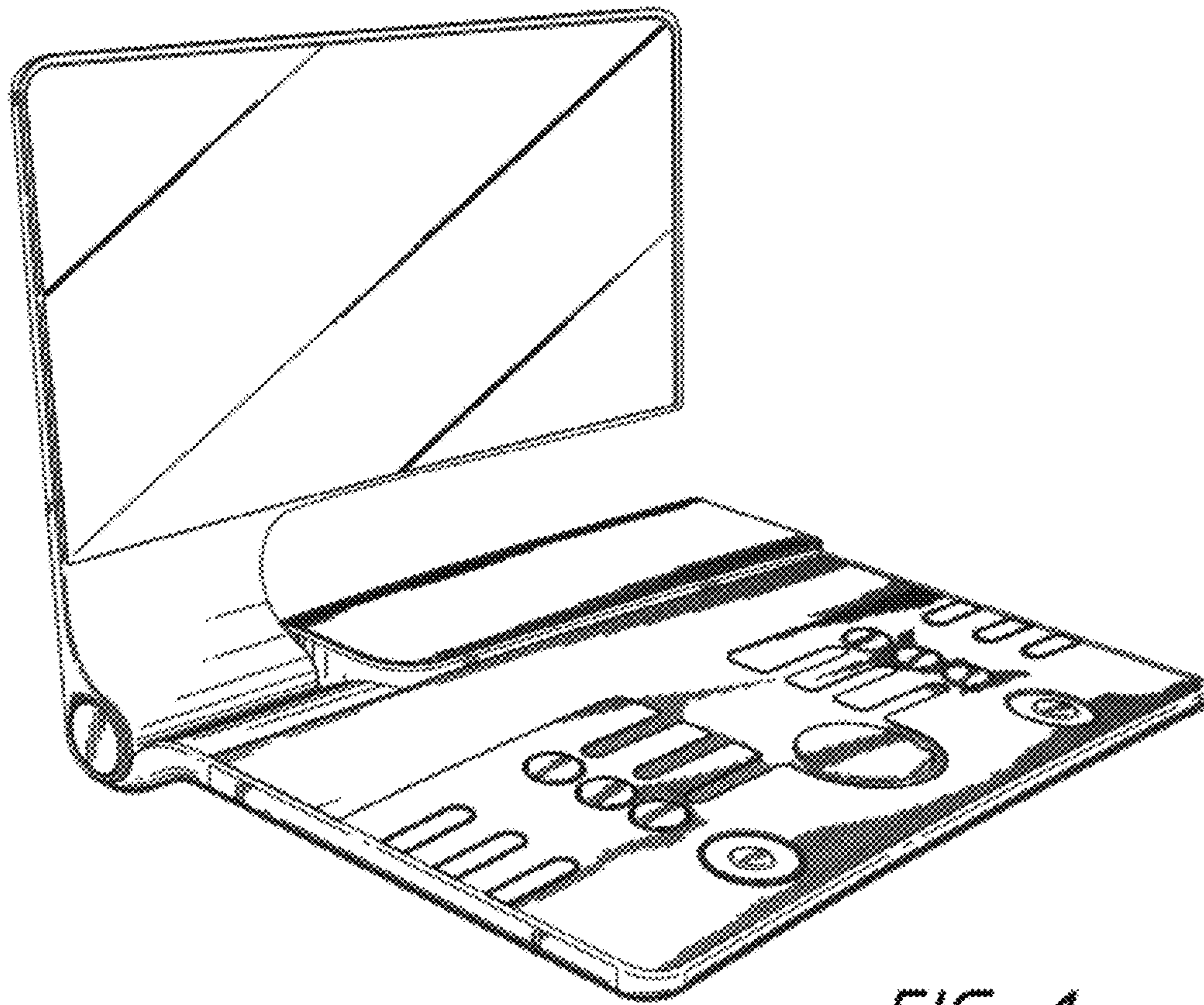


FIG. 1

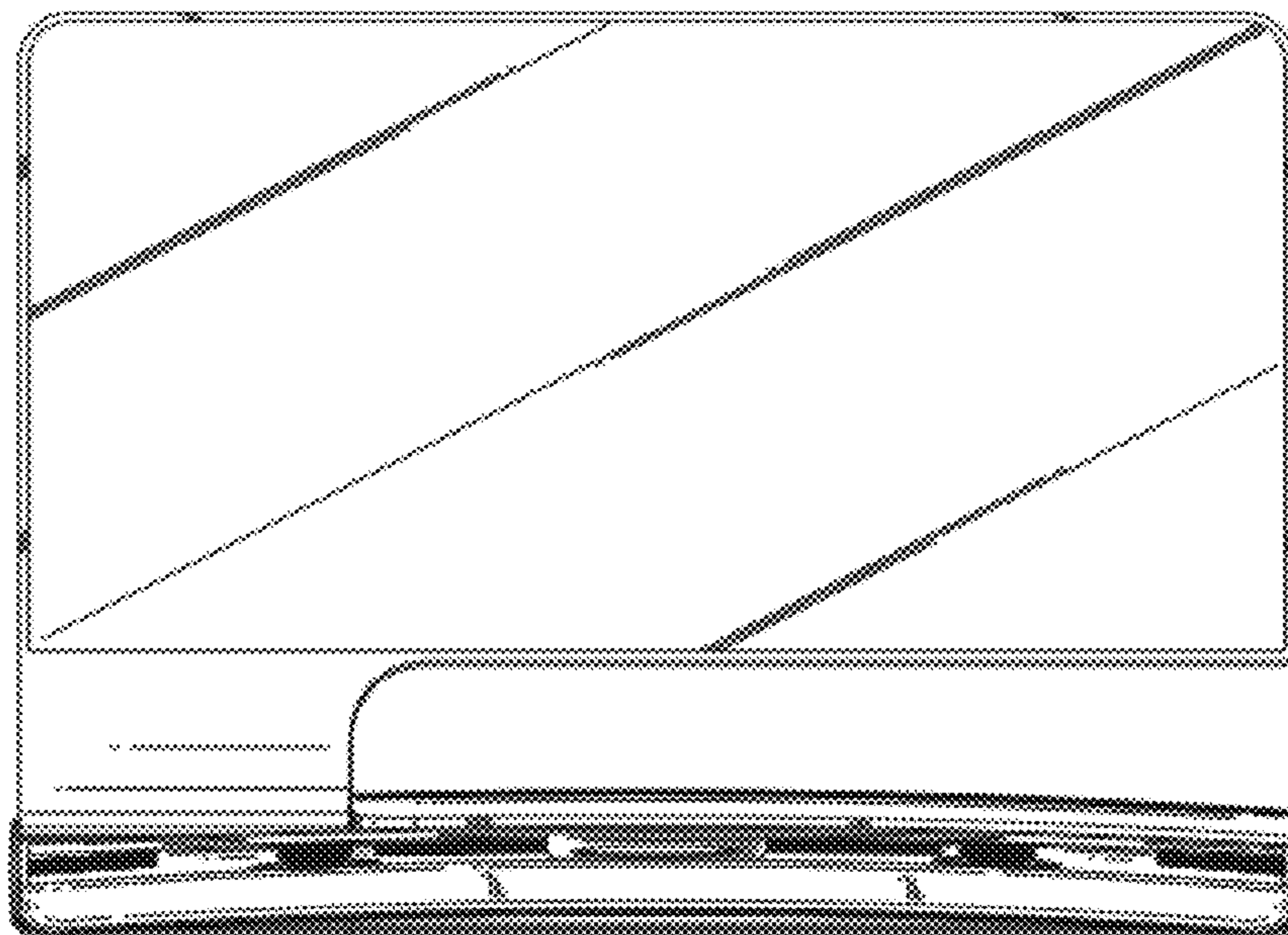


FIG. 2

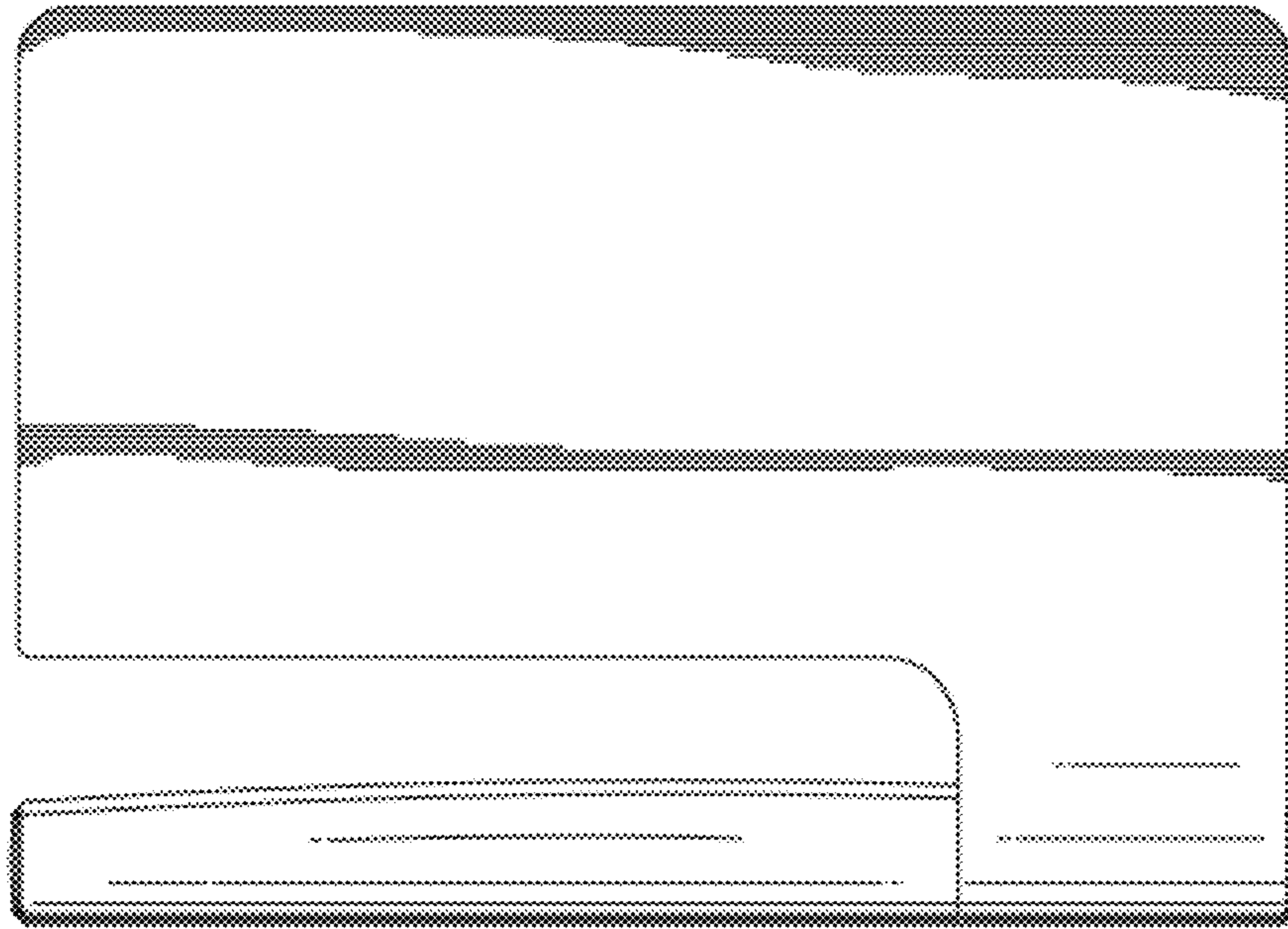


FIG. 3

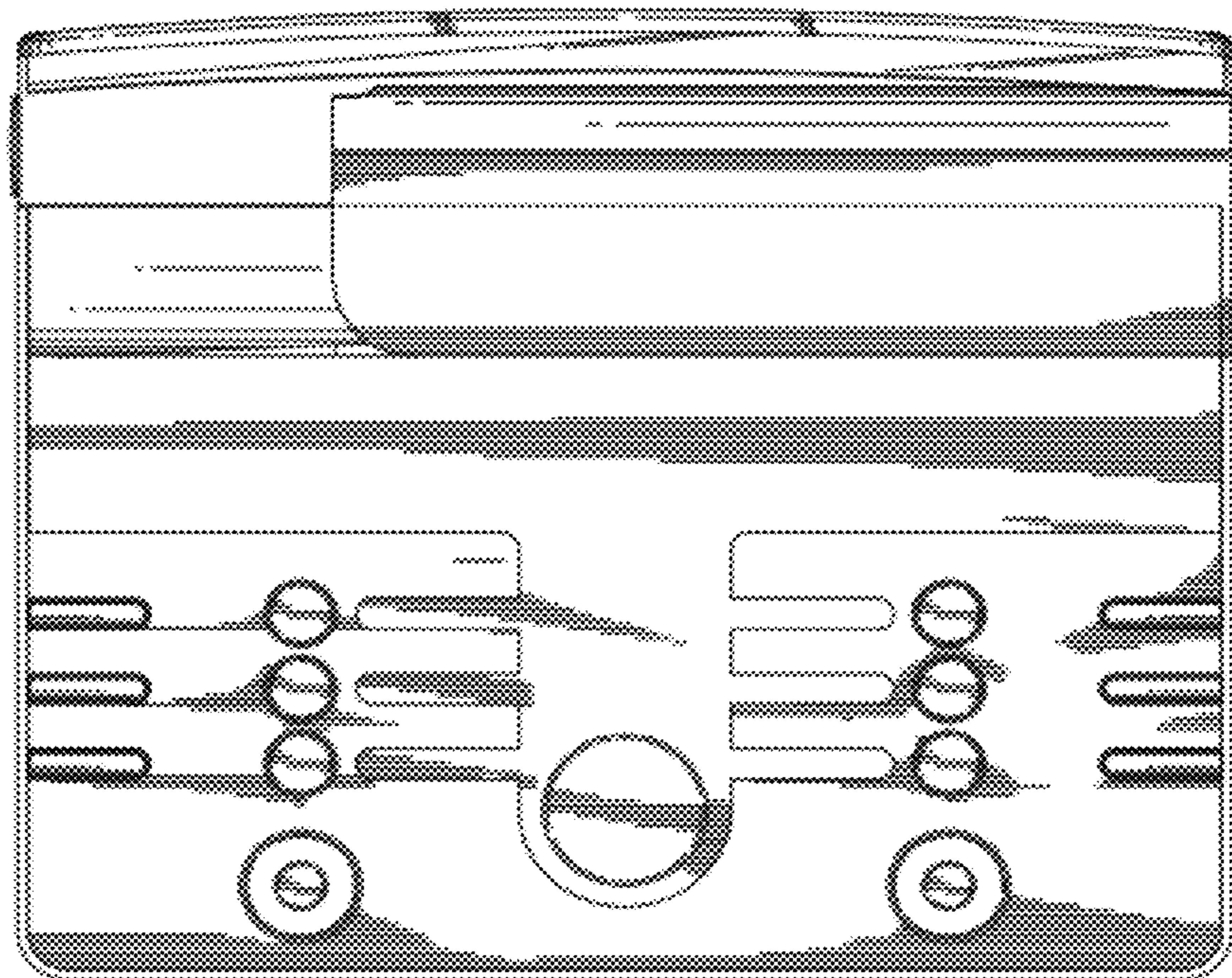


FIG. 4

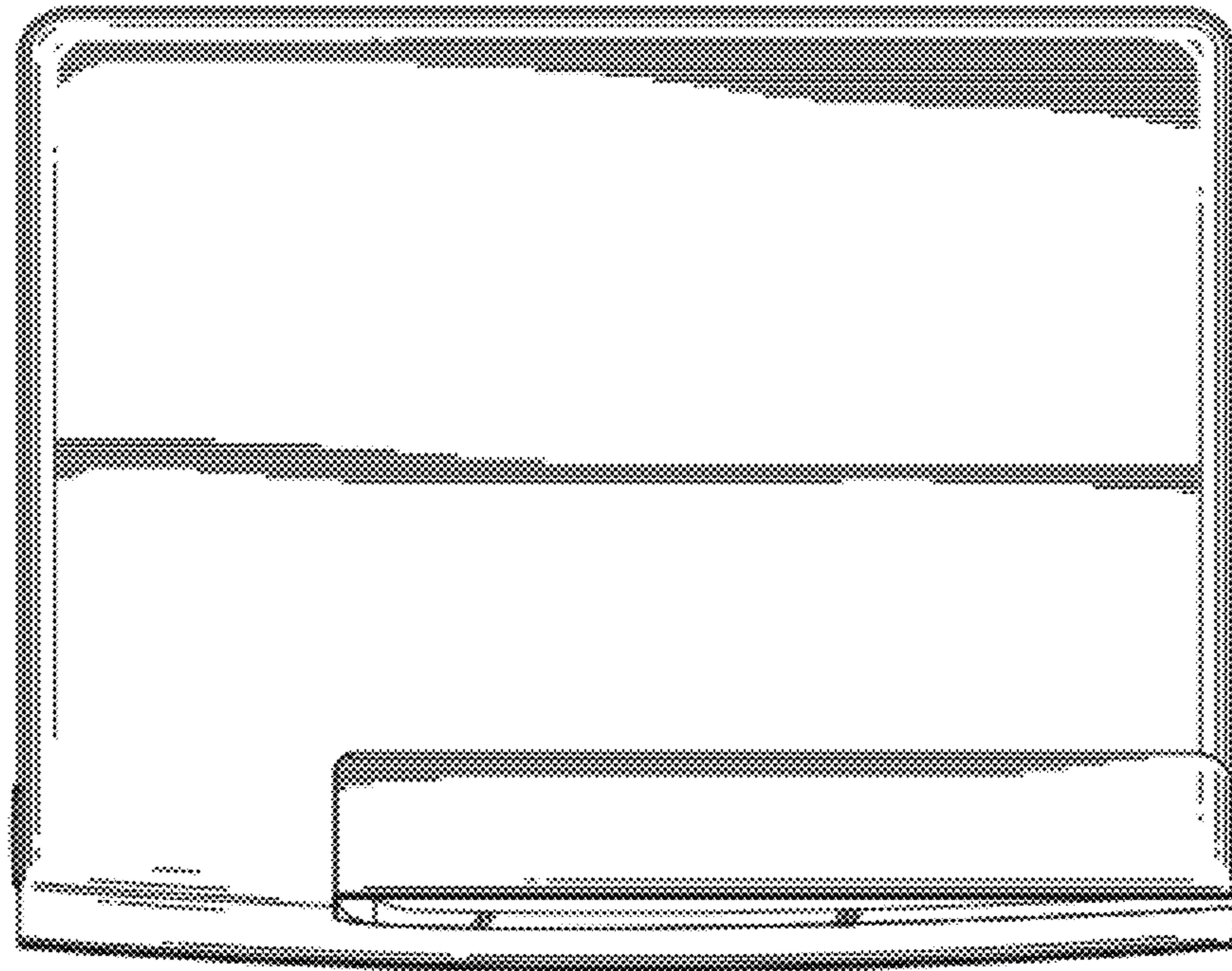


FIG. 5

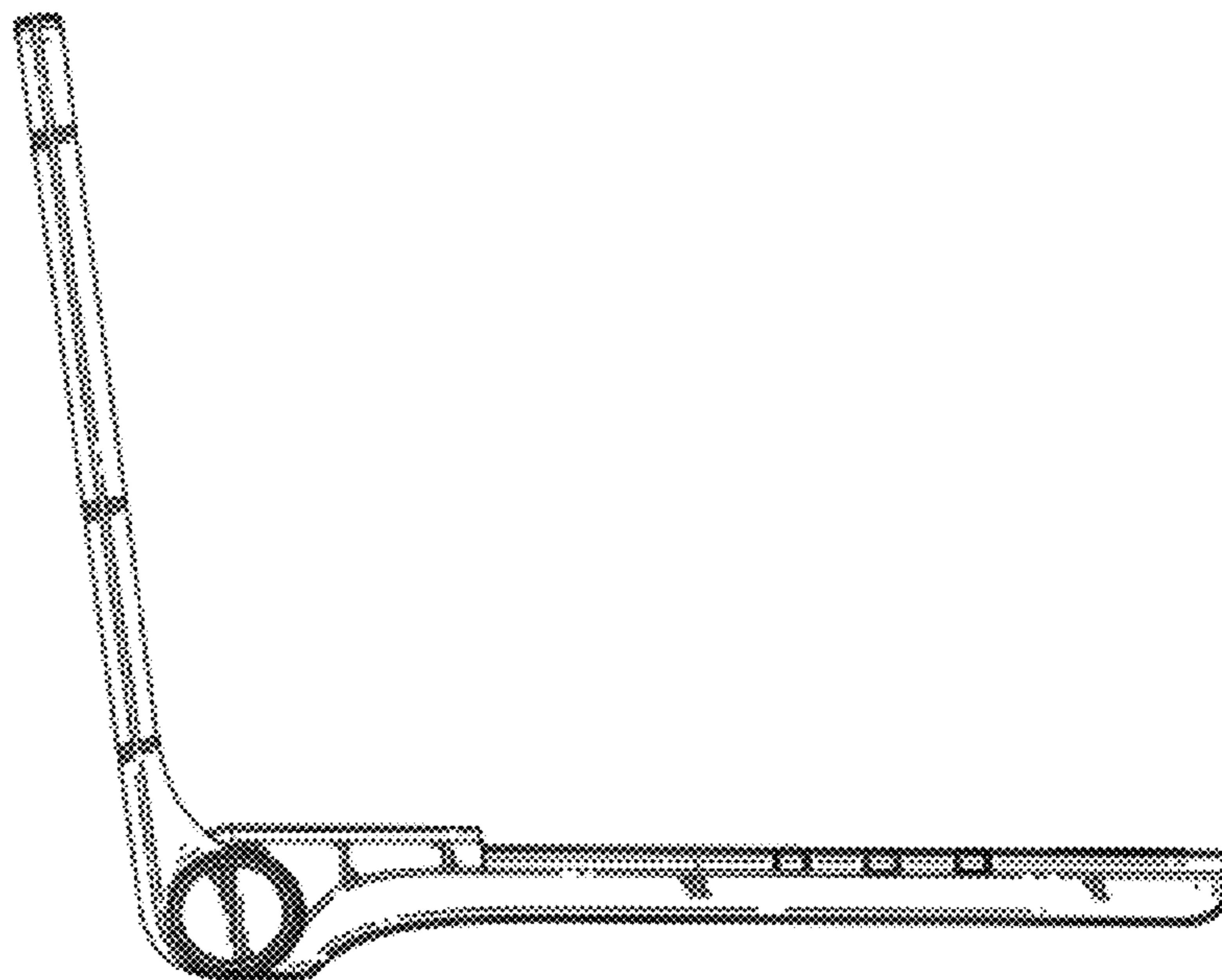


FIG. 6

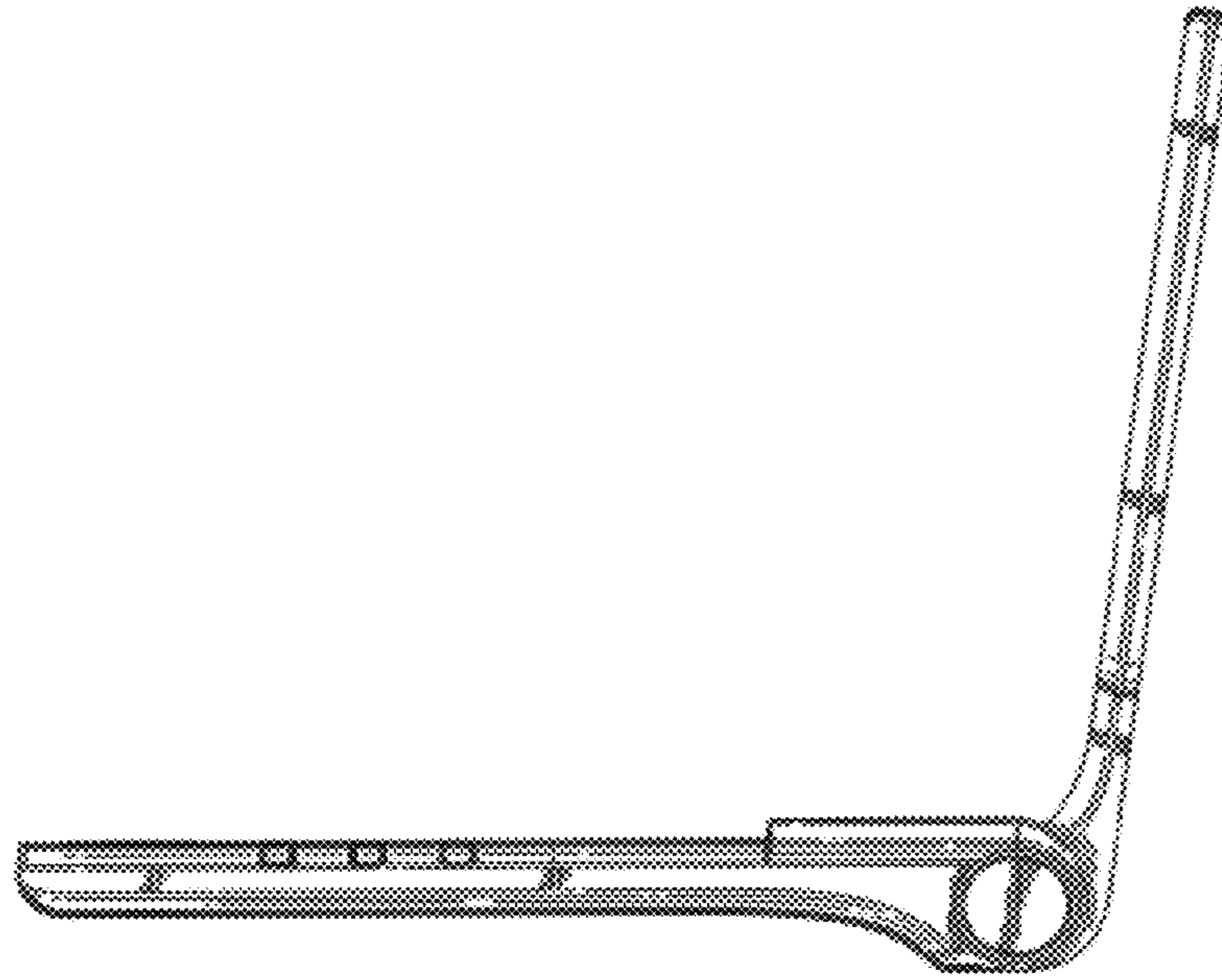


FIG. 7

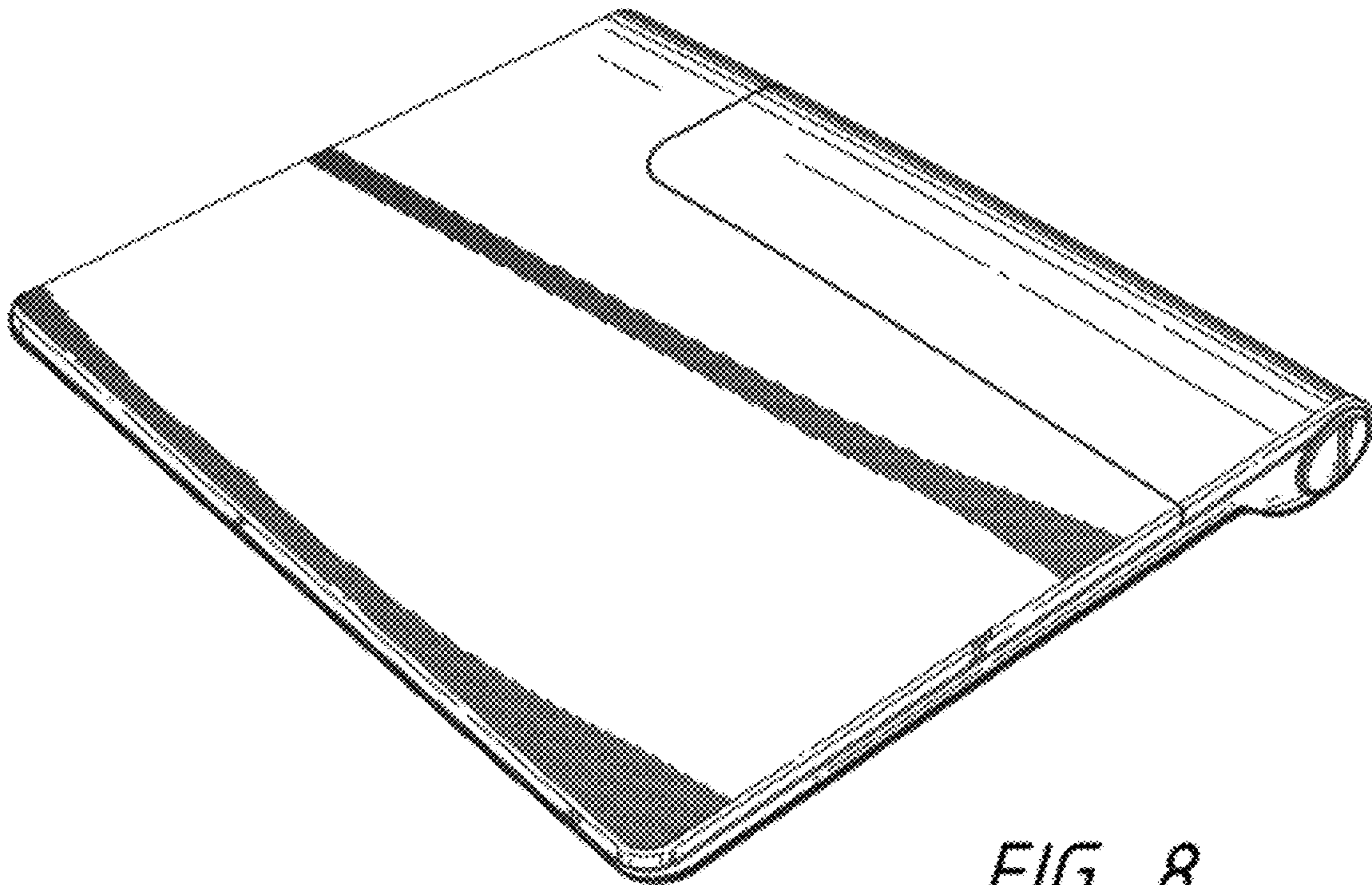


FIG. 8