



US00D675742S

(12) **United States Design Patent**
Fienieg

(10) **Patent No.:** **US D675,742 S**
(45) **Date of Patent:** **** Feb. 5, 2013**

(54) **MEDICAL SCANNER**

(75) Inventor: **Robert Fienieg**, Veldhoven (NL)

(73) Assignee: **Koninklijke Philips Electronics N.V.**,
Eindhoven (NL)

(**) Term: **14 Years**

(21) Appl. No.: **29/376,552**

(22) Filed: **Oct. 8, 2010**

(51) **LOC (9) Cl.** **24-01**

(52) **U.S. Cl.** **D24/186**

(58) **Field of Classification Search** D24/107,
D24/158, 164, 165, 167, 170, 186-187, 231;
422/1, 61, 68.1, 99-104, 129; 600/300, 301,
600/368, 372, 481, 529, 544, 554, 561; D10/81;
D13/162

See application file for complete search history.

D491,272 S *	6/2004	Alden et al.	D24/216
D492,414 S *	6/2004	Perry et al.	D24/158
D508,999 S *	8/2005	Fanning et al.	D24/216
D515,220 S *	2/2006	Miller et al.	D24/232
D535,403 S *	1/2007	Isozaki et al.	D24/232
D549,827 S *	8/2007	Maeno et al.	D24/169
D554,069 S *	10/2007	Bolotin et al.	D13/162
D554,070 S *	10/2007	Bolotin et al.	D13/162
D556,914 S *	12/2007	Okamoto et al.	D24/233
D559,996 S *	1/2008	Okamoto et al.	D24/232
D571,474 S *	6/2008	Sjo-Gaber et al.	D24/186
D599,234 S *	9/2009	Ito D10/81	
D607,569 S *	1/2010	Yukikado et al.	D24/186
D607,575 S *	1/2010	Walsh D24/216	

* cited by examiner

Primary Examiner — T. Chase Nelson

Assistant Examiner — Mark Cavanna

(57) **CLAIM**

The ornamental design for medical scanner, as shown and described.

DESCRIPTION

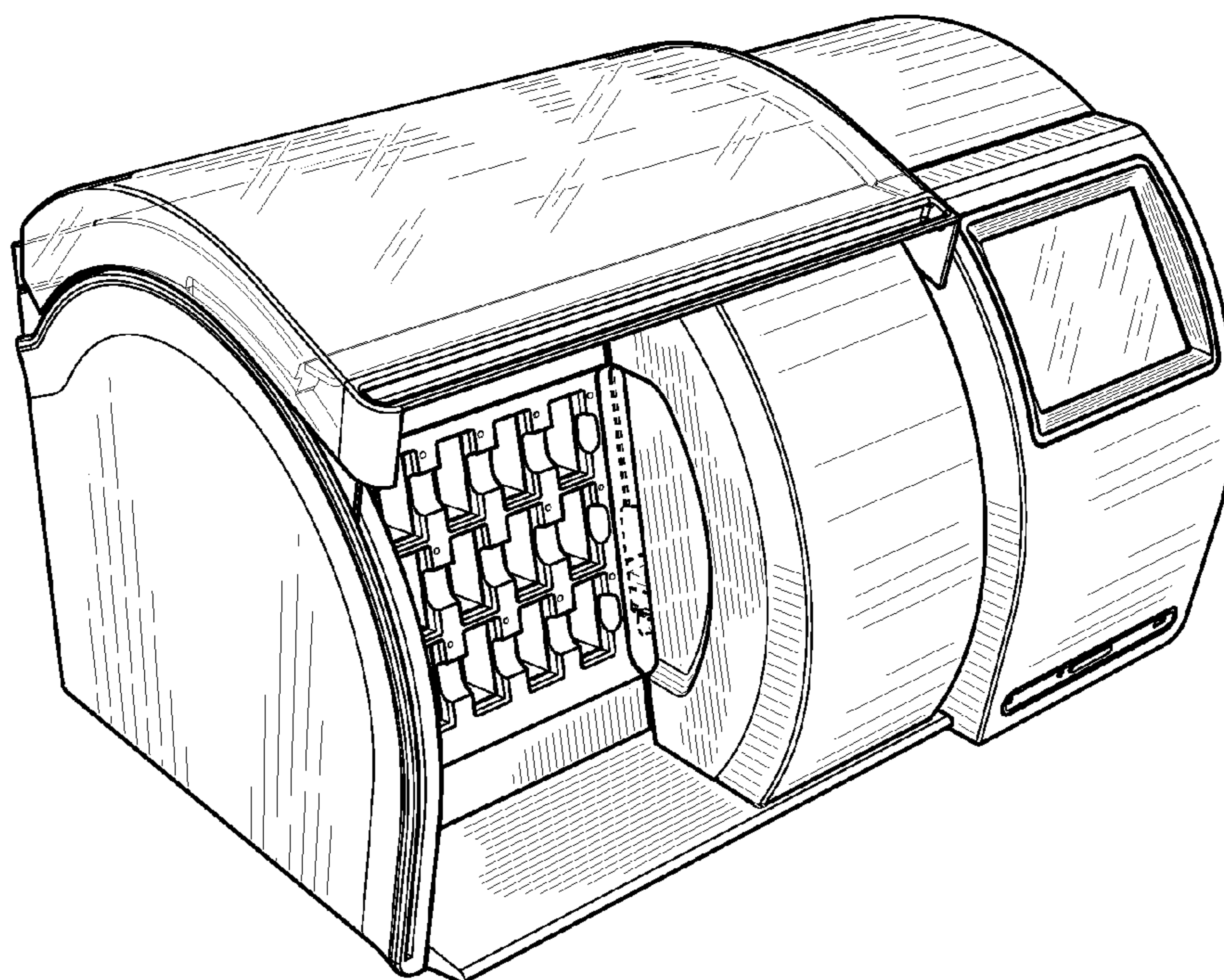
FIG. 1 is a perspective view showing my design;
FIG. 2 is a front elevational view thereof;
FIG. 3 is a rear elevational view thereof;
FIG. 4 is a right side elevational view thereof;
FIG. 5 is a left side elevational view thereof; and,
FIG. 6 is a top plan view thereof.
The broken lines are included for the purpose of illustrating portions of the medical scanner that form no part of the claimed design.

1 Claim, 4 Drawing Sheets

(56) **References Cited**

U.S. PATENT DOCUMENTS

D330,596 S *	10/1992	Frenkel et al.	D24/186
D334,237 S *	3/1993	Collister et al.	D24/232
D338,419 S *	8/1993	Frenkel et al.	D10/81
D370,979 S *	6/1996	Pascale et al.	D24/169
D378,782 S *	4/1997	LaBarbera et al.	D24/216
D381,756 S *	7/1997	Ohnuma et al.	D24/231
D421,653 S *	3/2000	Purcell D24/223	
D424,956 S *	5/2000	von Buelow et al.	D10/81
D467,349 S *	12/2002	Niedbala et al.	D24/232
D474,279 S *	5/2003	Mayer et al. D24/232	
D489,816 S *	5/2004	Ross D24/107	



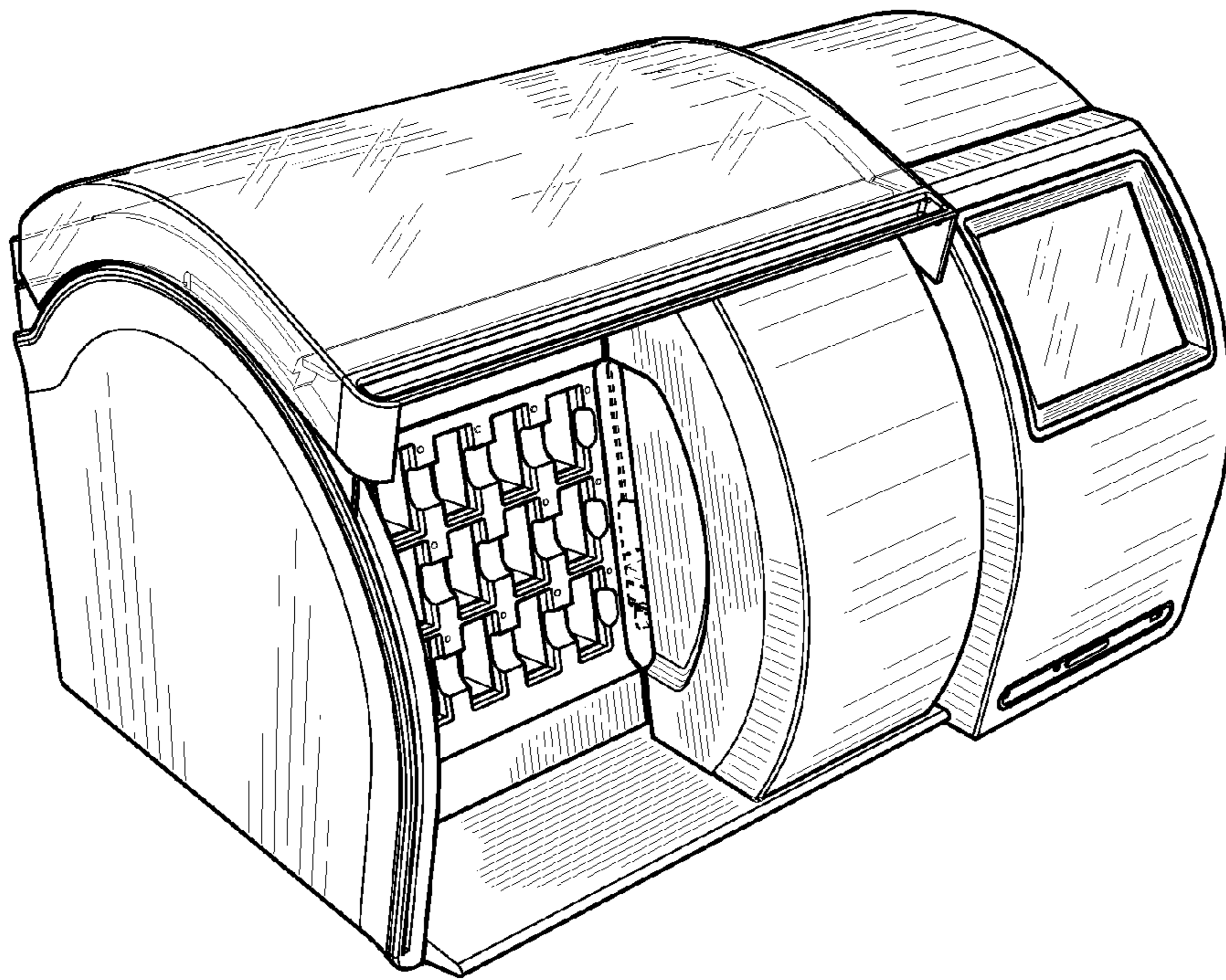


FIG. 1

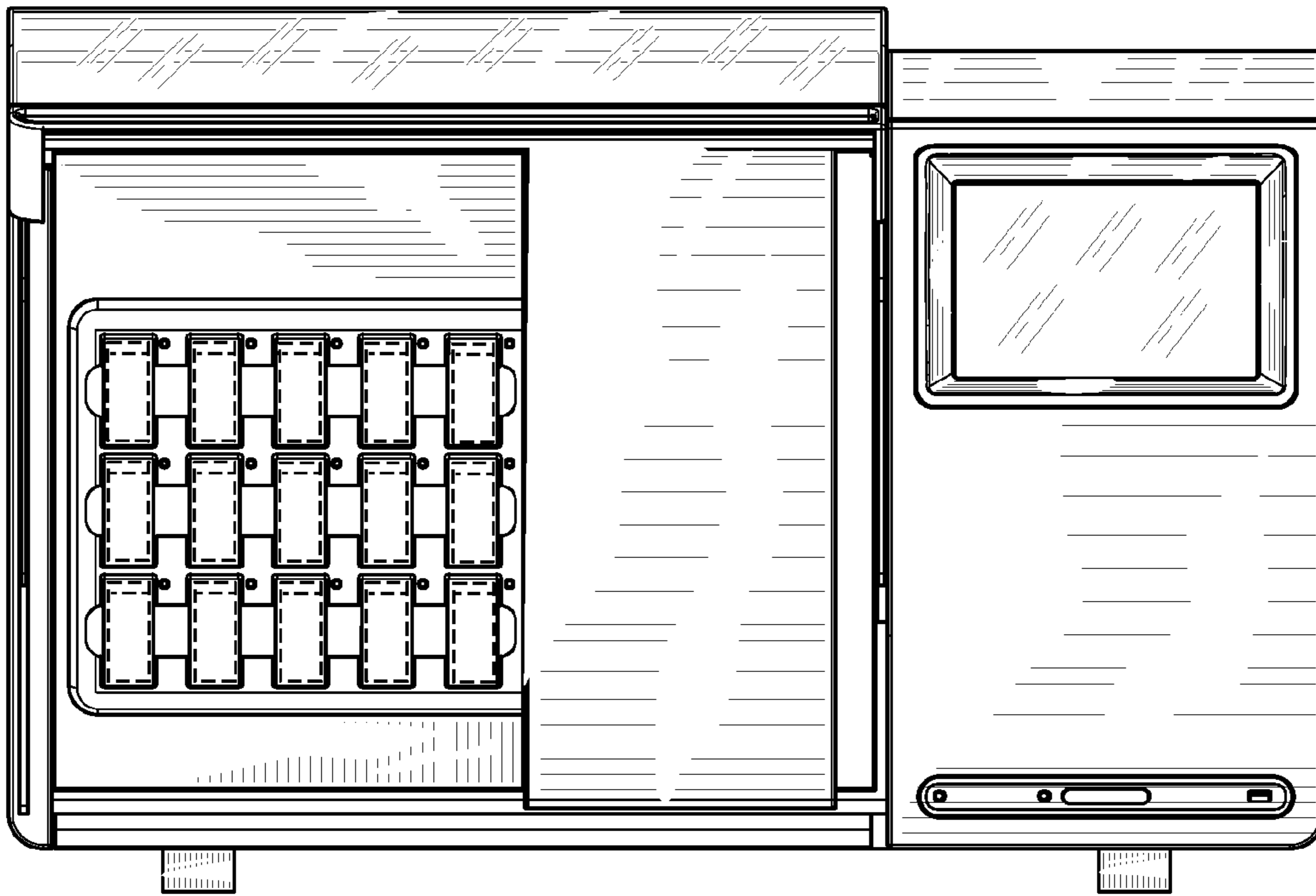


FIG. 2

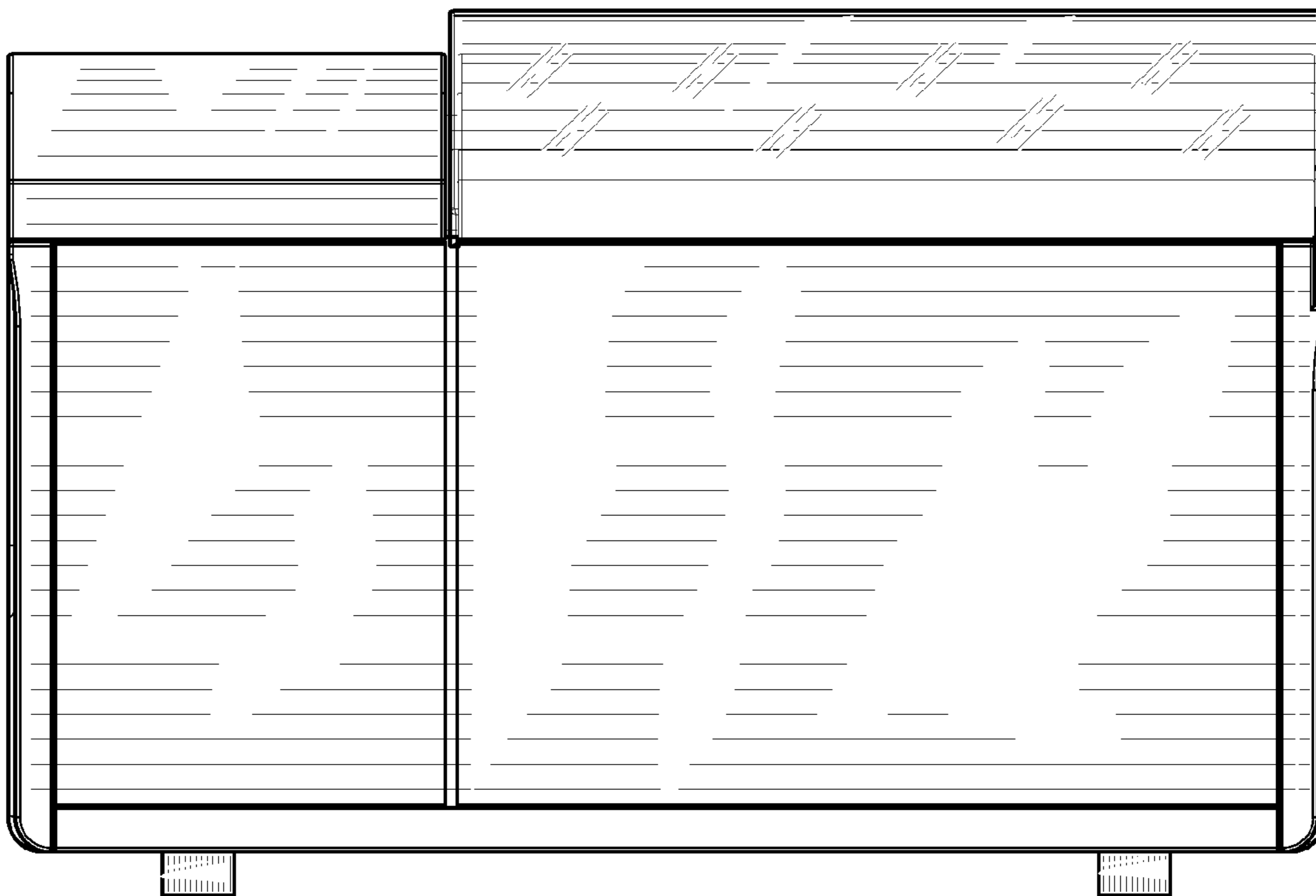


FIG. 3

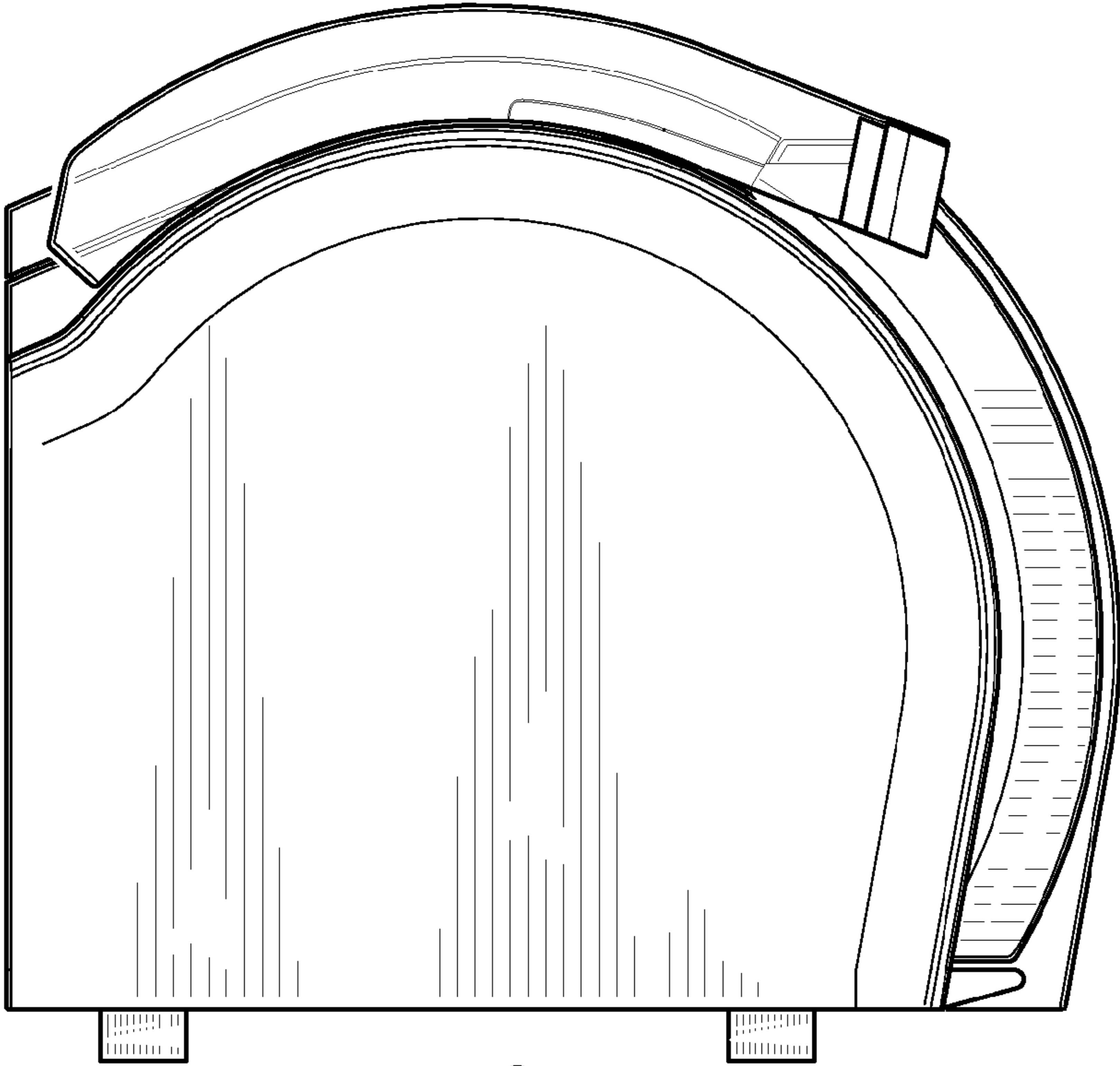


FIG. 4

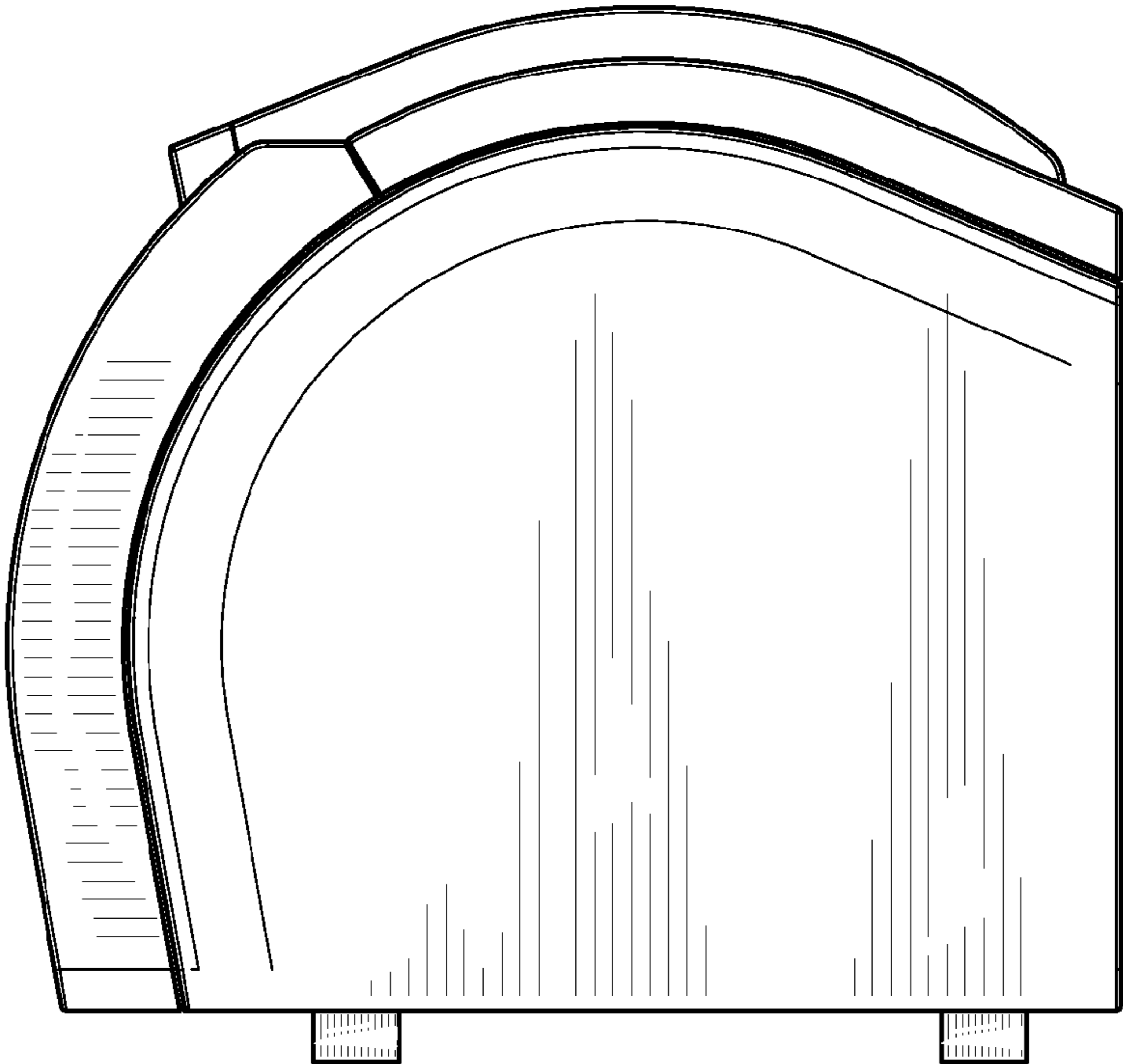


FIG. 5

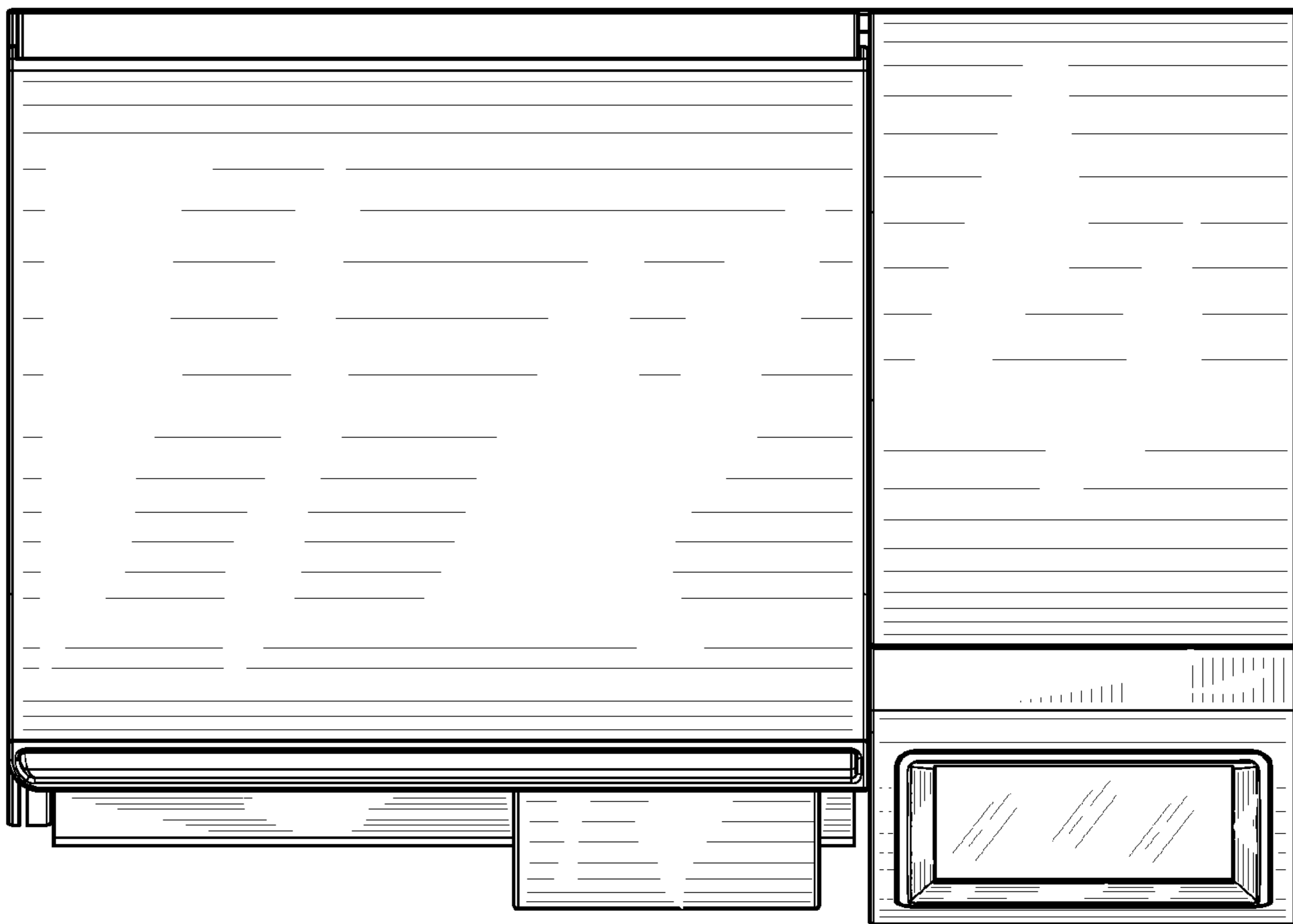


FIG. 6