



US00D675740S

(12) **United States Design Patent**
Orloff et al.

(10) **Patent No.:** **US D675,740 S**

(45) **Date of Patent:** **** Feb. 5, 2013**

(54) **DENTAL WHITENING LAMP**

(75) Inventors: **Marc Orloff**, Glendale, CA (US); **John Murtaugh**, Lakewood, CA (US); **Brian Zargari**, Beverly Hills, CA (US); **Travis Pham**, North Hills, CA (US)

(73) Assignee: **Koninklijke Philips Electronics N.V.**, Eindhoven (NL)

(**) Term: **14 Years**

(21) Appl. No.: **29/388,075**

(22) Filed: **Mar. 23, 2011**

(51) **LOC (9) Cl.** **24-02**

(52) **U.S. Cl.** **D24/176; D26/63**

(58) **Field of Classification Search** D24/107,
D24/133, 152, 176-178, 209-210; D26/24,
D26/38, 43, 50-51, 60-61, 63, 65, 93; 362/418-419,
362/427, 282-283, 285, 287, 573, 558, 804;
433/29, 80, 215, 216, 217.1, 229

See application file for complete search history.

(56) **References Cited**

U.S. PATENT DOCUMENTS

D438,622	S *	3/2001	Chang	D24/176
D538,960	S *	3/2007	Rose et al.	D26/63
7,499,760	B2 *	3/2009	Rose et al.	433/29
D590,978	S *	4/2009	Wang et al.	D26/63
7,581,864	B2 *	9/2009	Craig	362/573
8,025,502	B2 *	9/2011	Rose et al.	433/29
2009/0068613	A1 *	3/2009	Wang et al.	433/29

OTHER PUBLICATIONS

Teeth whitening system Tooth bleaching lamp, 1 page, [on line], [retrieved on Nov. 10, 2011]. Retrieved from the Internet <URL: <http://product.madeinchina.com/wholesale-oroduct-image-Teeth-whitening-system-Tooth>>.*

Beaming White Teeth Whitening | Futura 2400, 2 pages, copyright 2008, [on line], [retrieved on Nov. 10, 2011]. Retrieved from the internet <URL: <http://www.beamingwhite.com/futura-2400>>.*
BriteSmile brochure, May 30, 2008.

* cited by examiner

Primary Examiner — Wan Laymon

(57) **CLAIM**

The ornamental design for a dental whitening lamp, as shown and described.

DESCRIPTION

FIG. 1 is a side perspective view of a dental whitening lamp of the present invention.

FIG. 2 is a side elevation view thereof.

FIG. 3 is a front elevation view thereof.

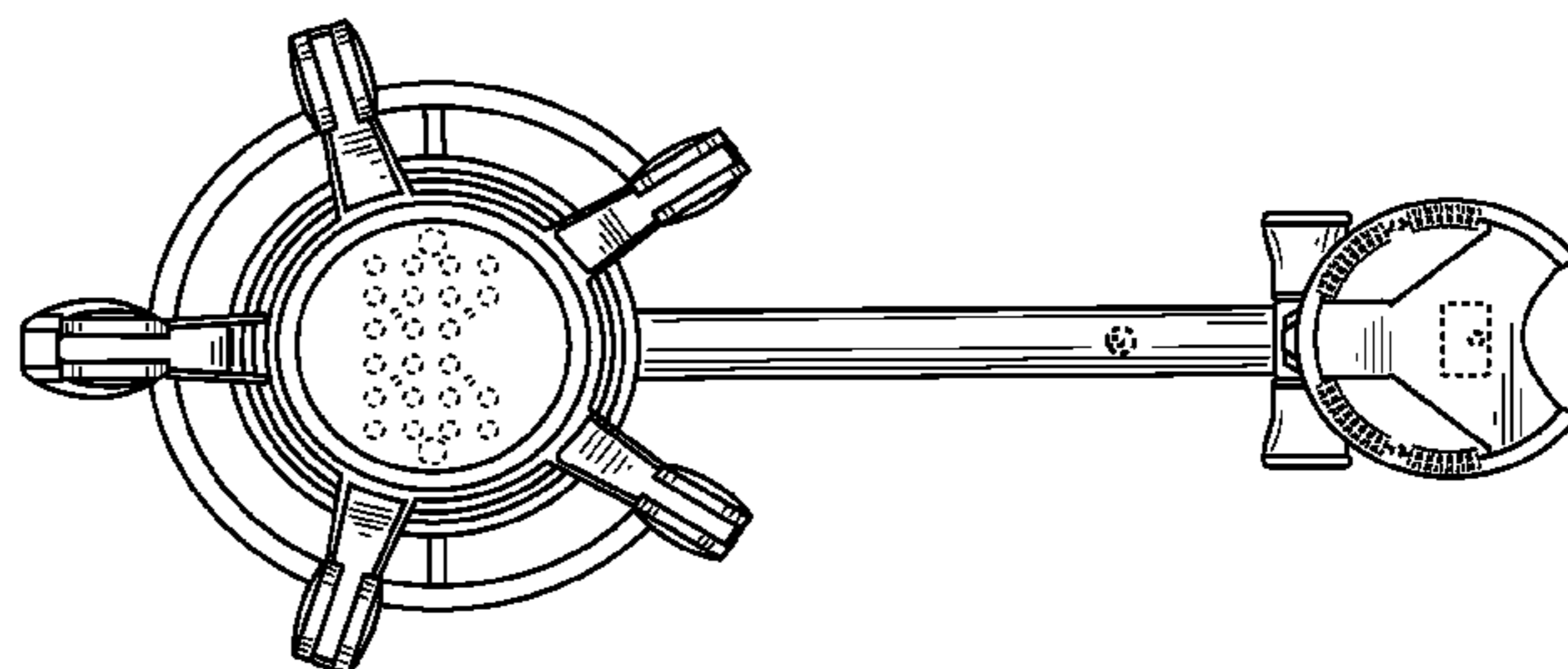
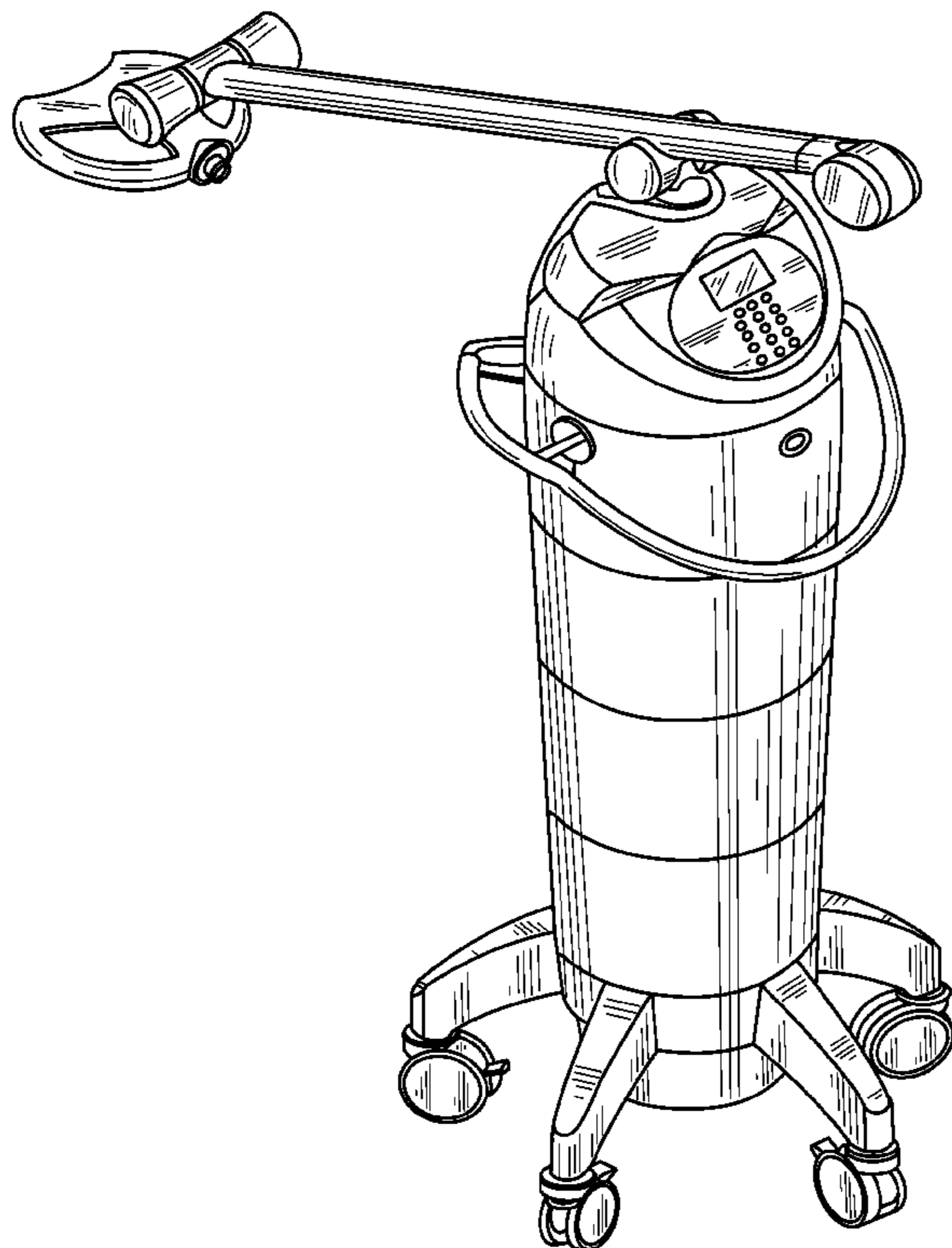
FIG. 4 is a back elevation view thereof.

FIG. 5 is a top plan view thereof; and,

FIG. 6 is a bottom plan view thereof.

The portions of dental whitening lamp indicated by broken lines in the figures form no part of the claimed invention.

1 Claim, 5 Drawing Sheets



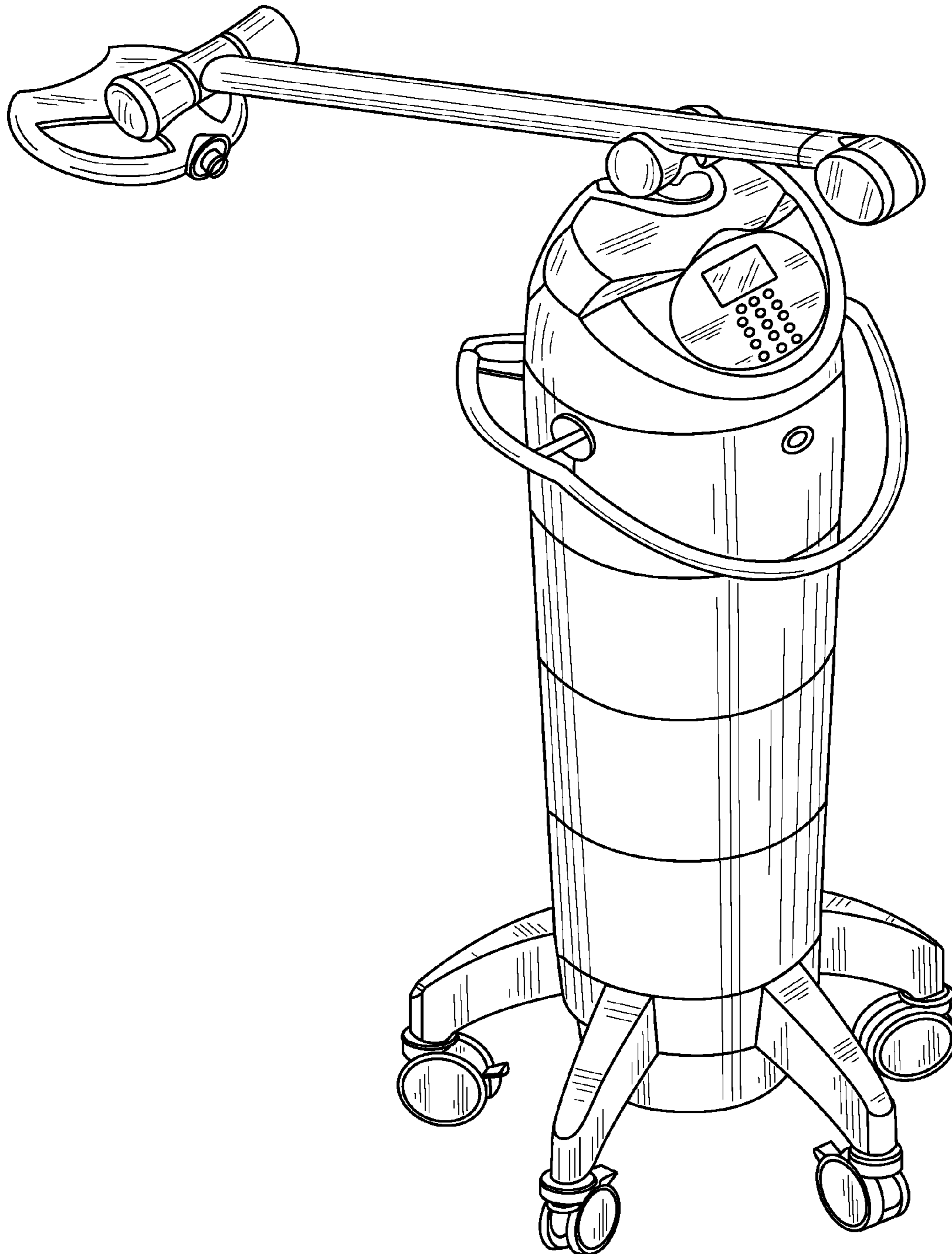


FIG. 1

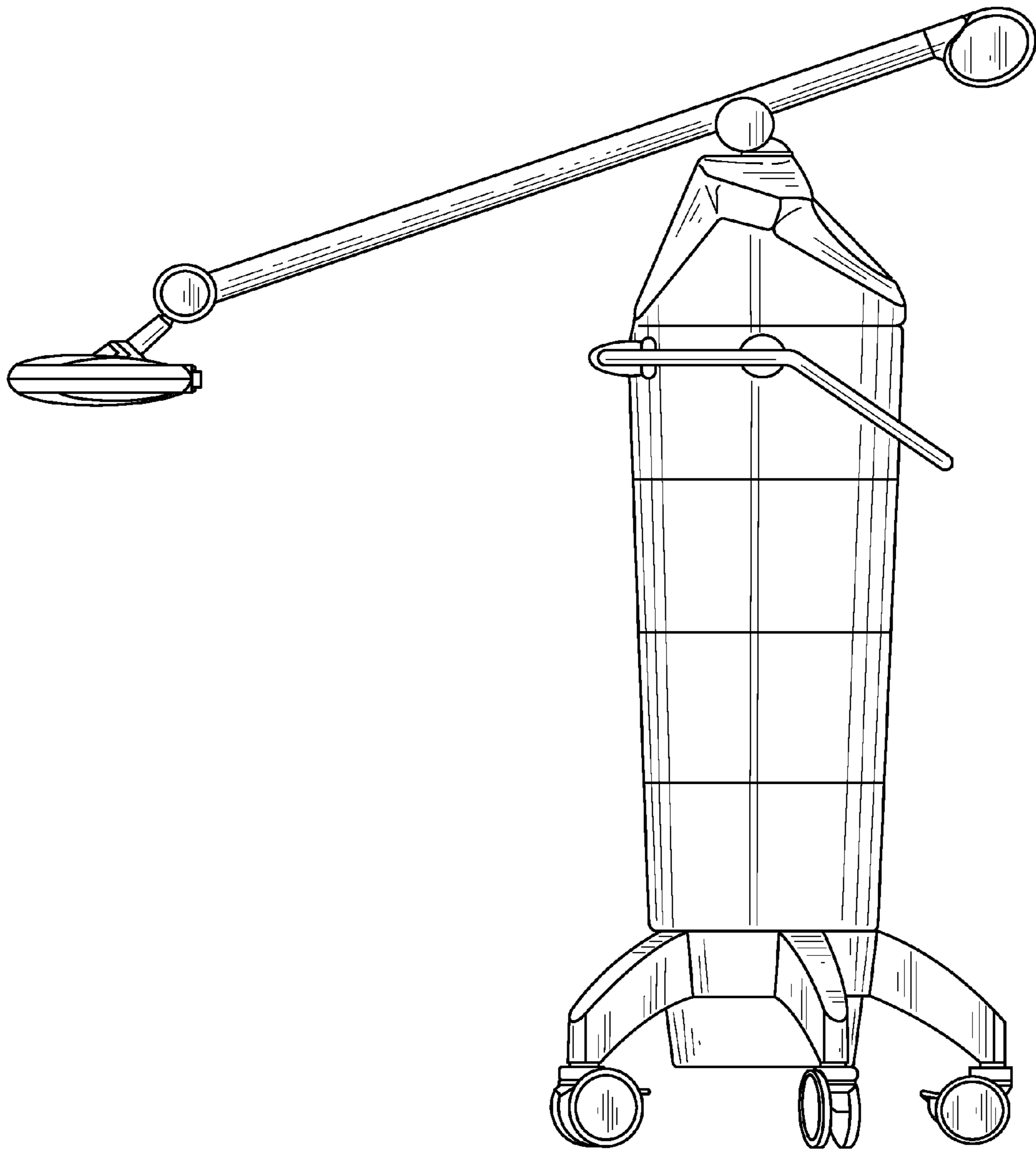


FIG. 2

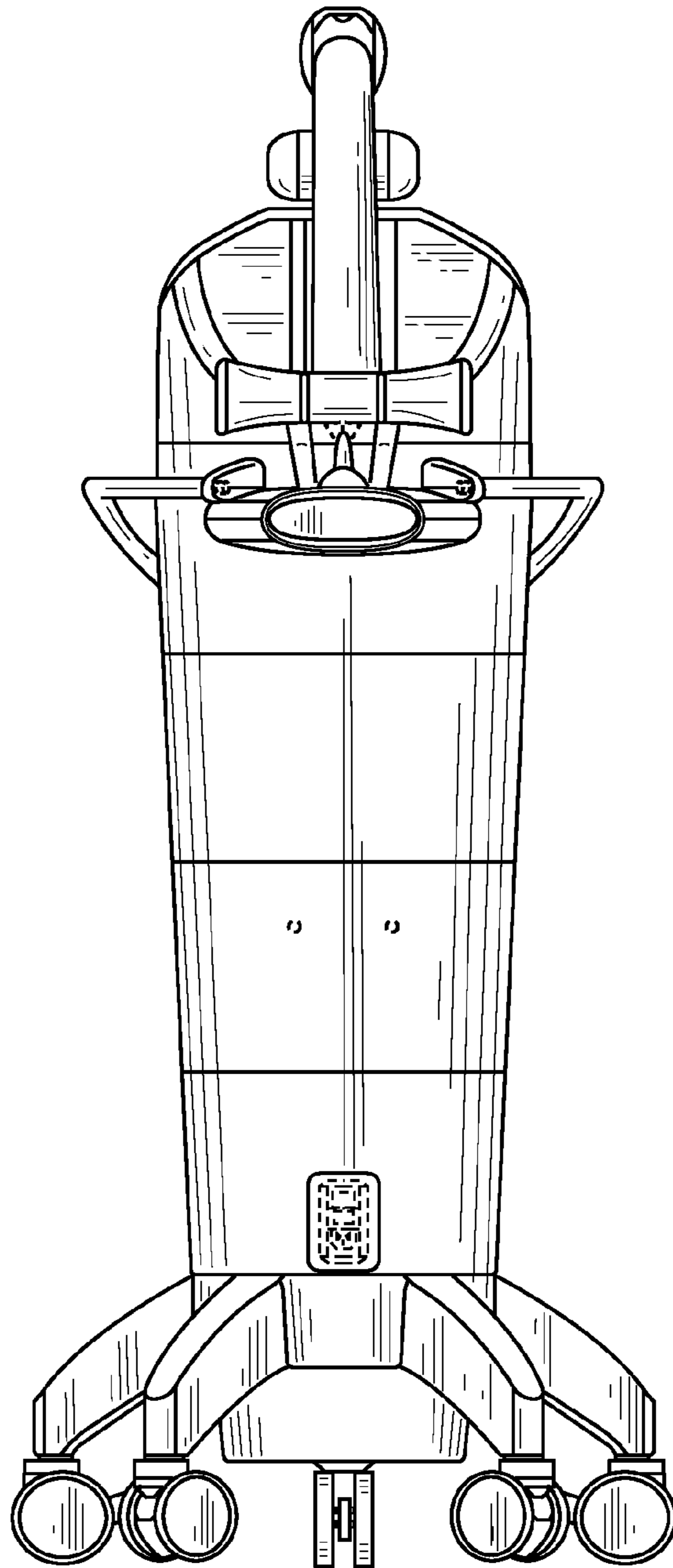


FIG. 3

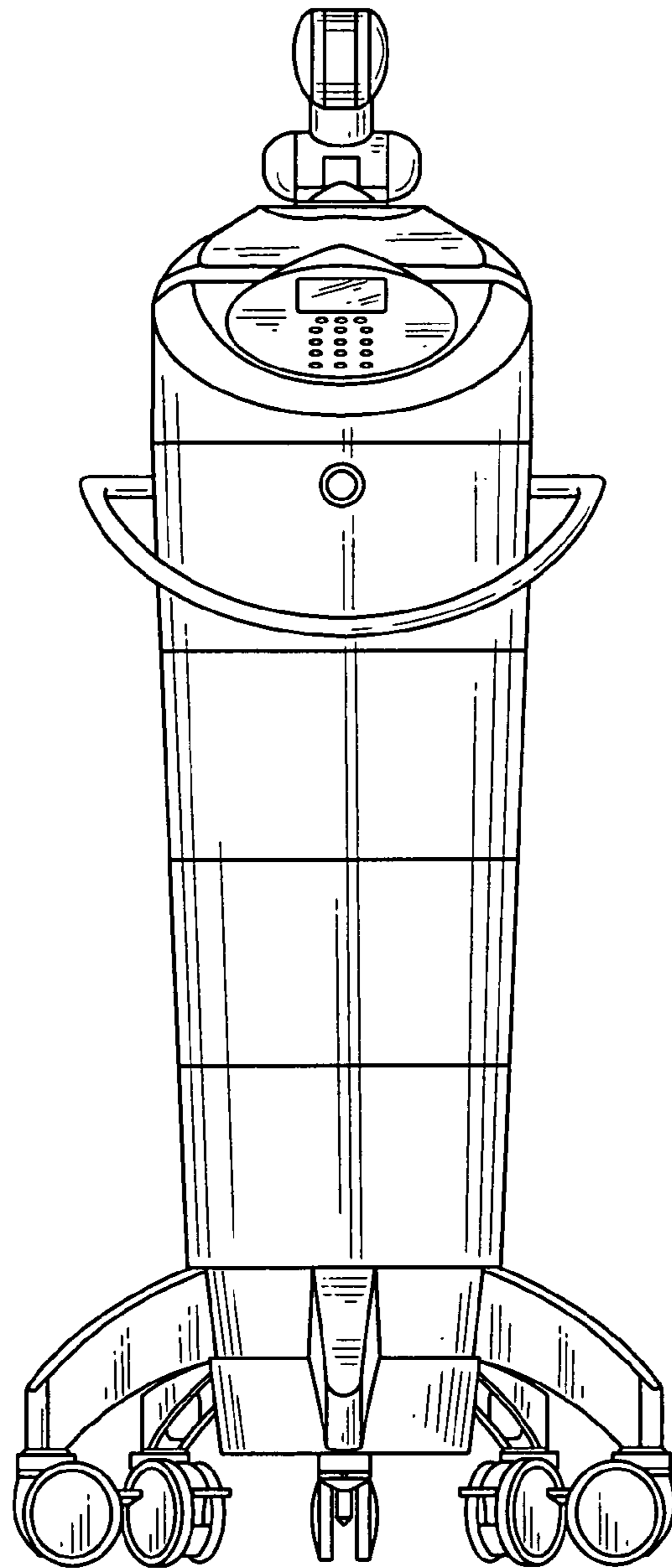


FIG. 4

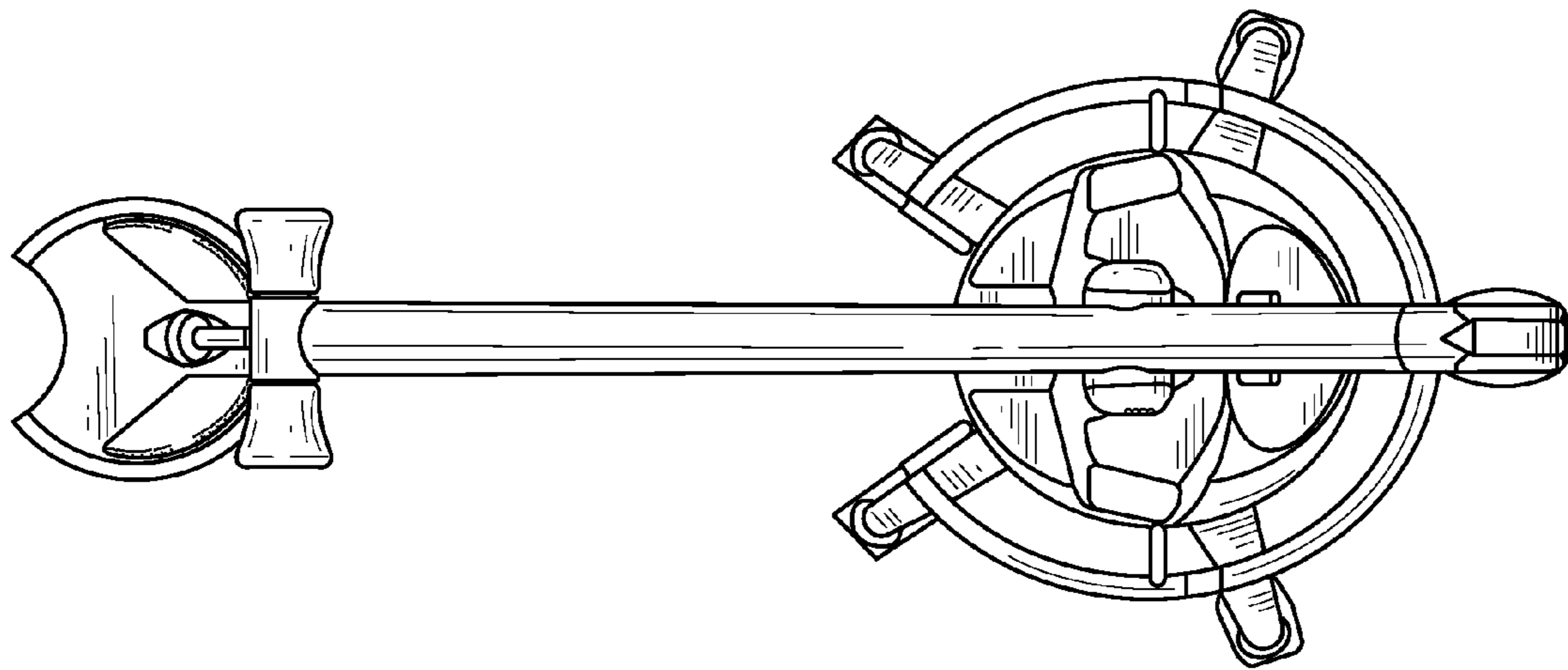


FIG. 5

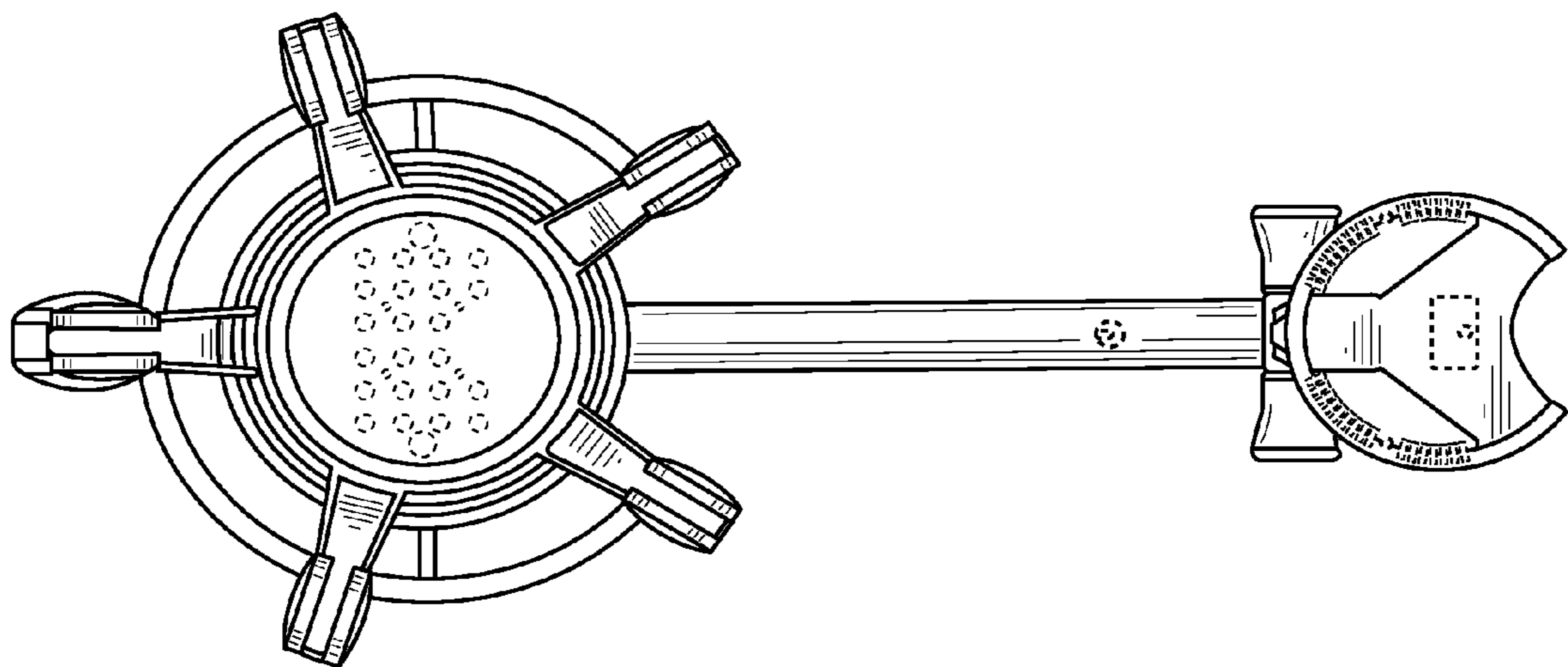


FIG. 6