



US00D675735S

(12) **United States Design Patent**  
**Harrison et al.**

(10) **Patent No.:** **US D675,735 S**  
(45) **Date of Patent:** **\*\* Feb. 5, 2013**

(54) **DISTAL ASSEMBLY FOR SUTURING INSTRUMENT**

7,887,552 B2 \* 2/2011 Bachman ..... 606/139  
8,246,638 B2 \* 8/2012 Perez-Cruet et al. .... 606/145  
2006/0253126 A1 \* 11/2006 Bjerken et al. .... 606/139

(75) Inventors: **Robert Harrison**, Milton (CA); **Jeffery Arnett**, Gilbert, AZ (US); **Neil Godara**, Milton (CA)

\* cited by examiner

*Primary Examiner* — Wan Laymon

(74) *Attorney, Agent, or Firm* — Nir Lifshitz; Glenn Arnold

(73) Assignee: **Anchor Orthopedics XT Inc.**, Montreal (CA)

(57) **CLAIM**

The ornamental design for a distal assembly for a suturing instrument, as shown and described.

(\*\*) Term: **14 Years**

**DESCRIPTION**

(21) Appl. No.: **29/412,216**

FIG. 1 is a top, front, left perspective view of a distal assembly for a suturing instrument showing our new design; FIG. 2 is a bottom, front, right perspective view thereof; FIG. 3 is a bottom, front, left perspective view thereof; FIG. 4 is a left side view thereof; FIG. 5 is a right side view thereof; FIG. 6 is a top side view thereof; FIG. 7 is a bottom side view thereof; FIG. 8 is a front side view thereof; and, FIG. 9 is a rear side view thereof.

(22) Filed: **Jan. 31, 2012**

(51) **LOC (9) Cl.** ..... **24-02**

(52) **U.S. Cl.** ..... **D24/145**

(58) **Field of Classification Search** ..... D24/145, D24/147; 606/139, 144–145, 148, 216  
See application file for complete search history.

The broken lines shown in the figure drawings are included for illustrating environmental structure and form no part of the claimed design.

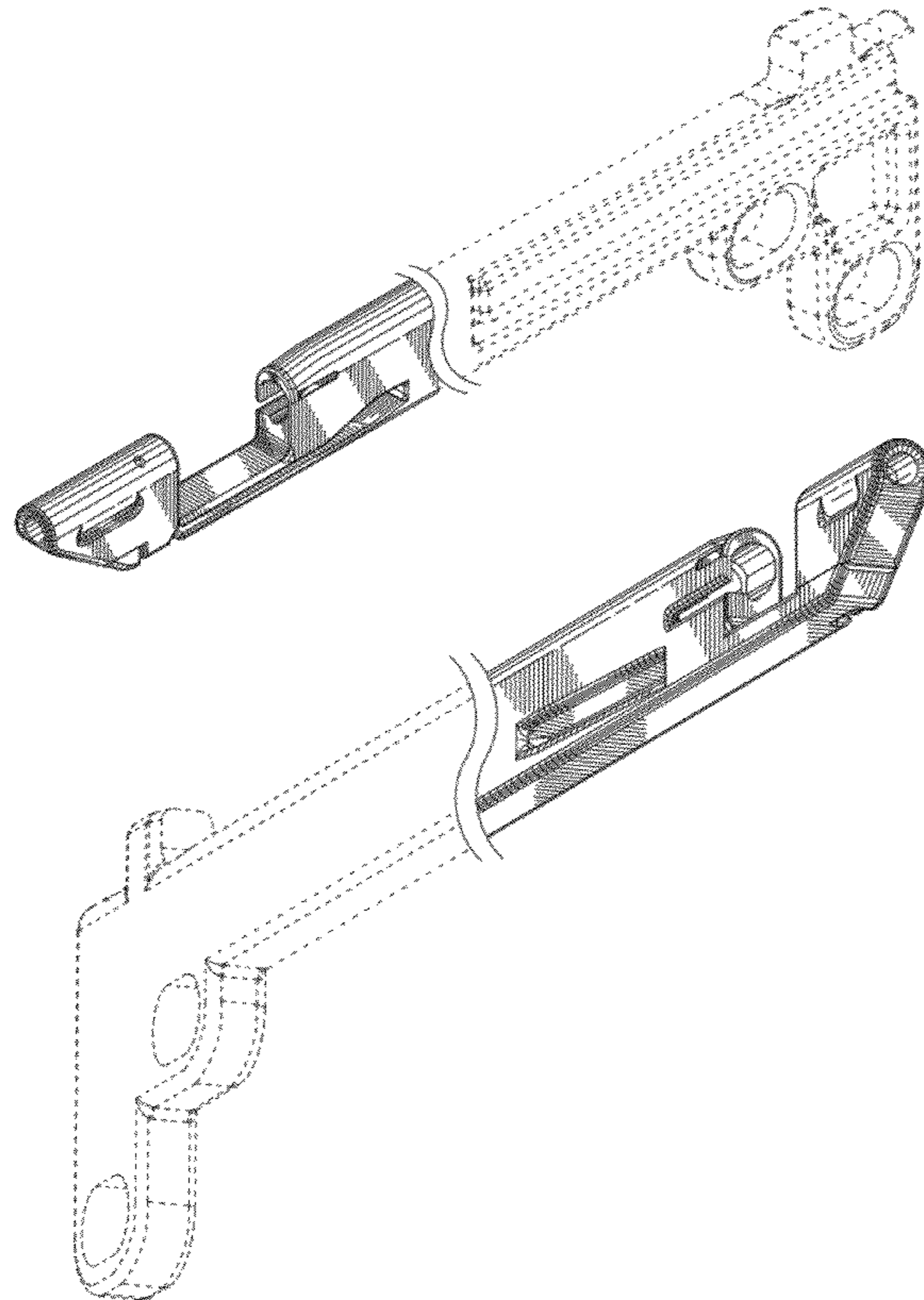
The broken way symbols showing in FIGS. 1 through 7 indicate that any portion of the article beyond what is shown forms no part of the claimed design.

(56) **References Cited**

U.S. PATENT DOCUMENTS

2,880,728	A *	4/1959	Rights	.....	606/145
5,522,820	A *	6/1996	Caspari et al.	.....	606/148
5,817,108	A *	10/1998	Poncet	.....	606/139
6,113,610	A *	9/2000	Poncet	.....	606/139
7,211,093	B2 *	5/2007	Sauer et al.	.....	606/144
7,381,212	B2 *	6/2008	Topper et al.	.....	606/223

**1 Claim, 3 Drawing Sheets**



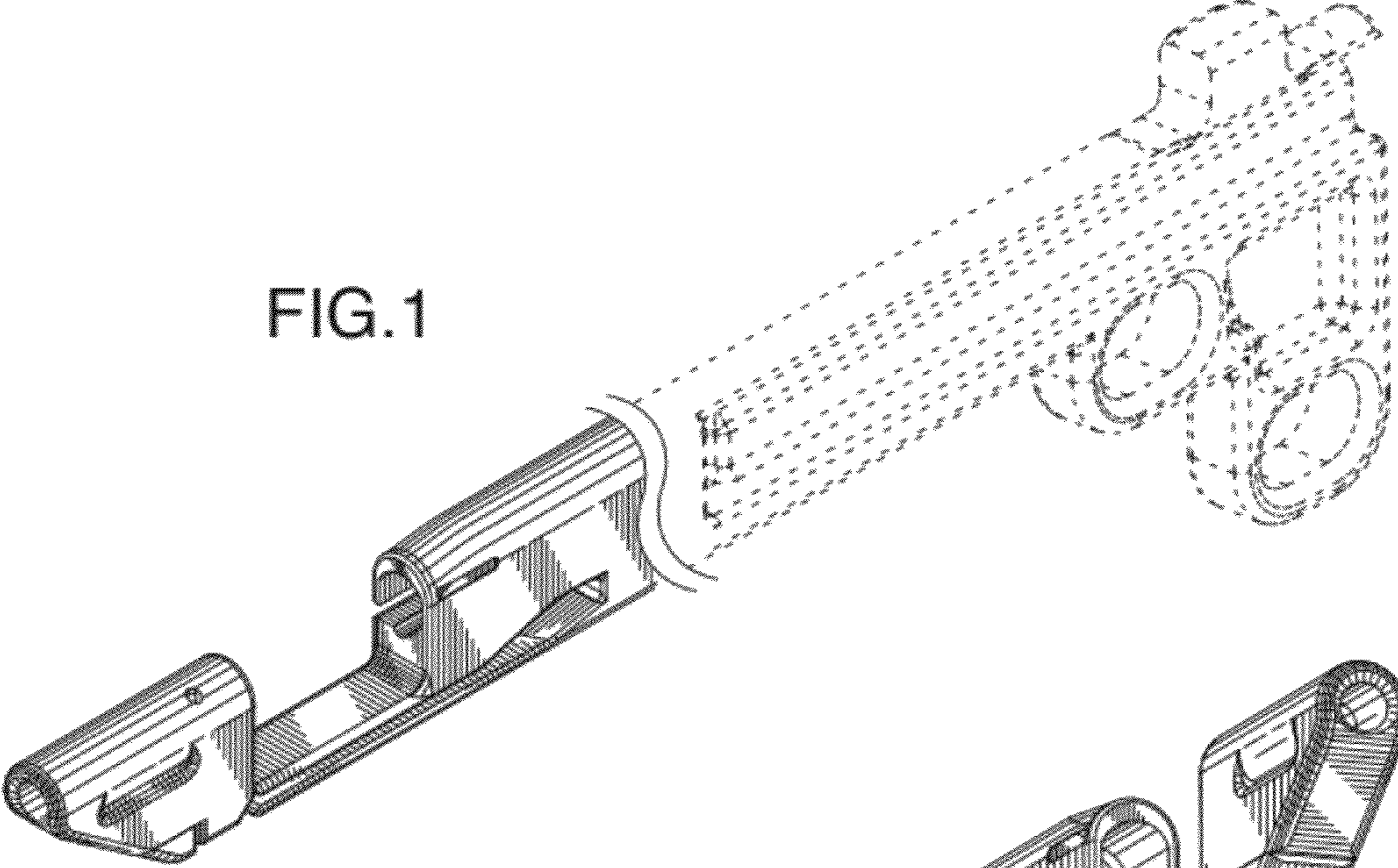


FIG.1

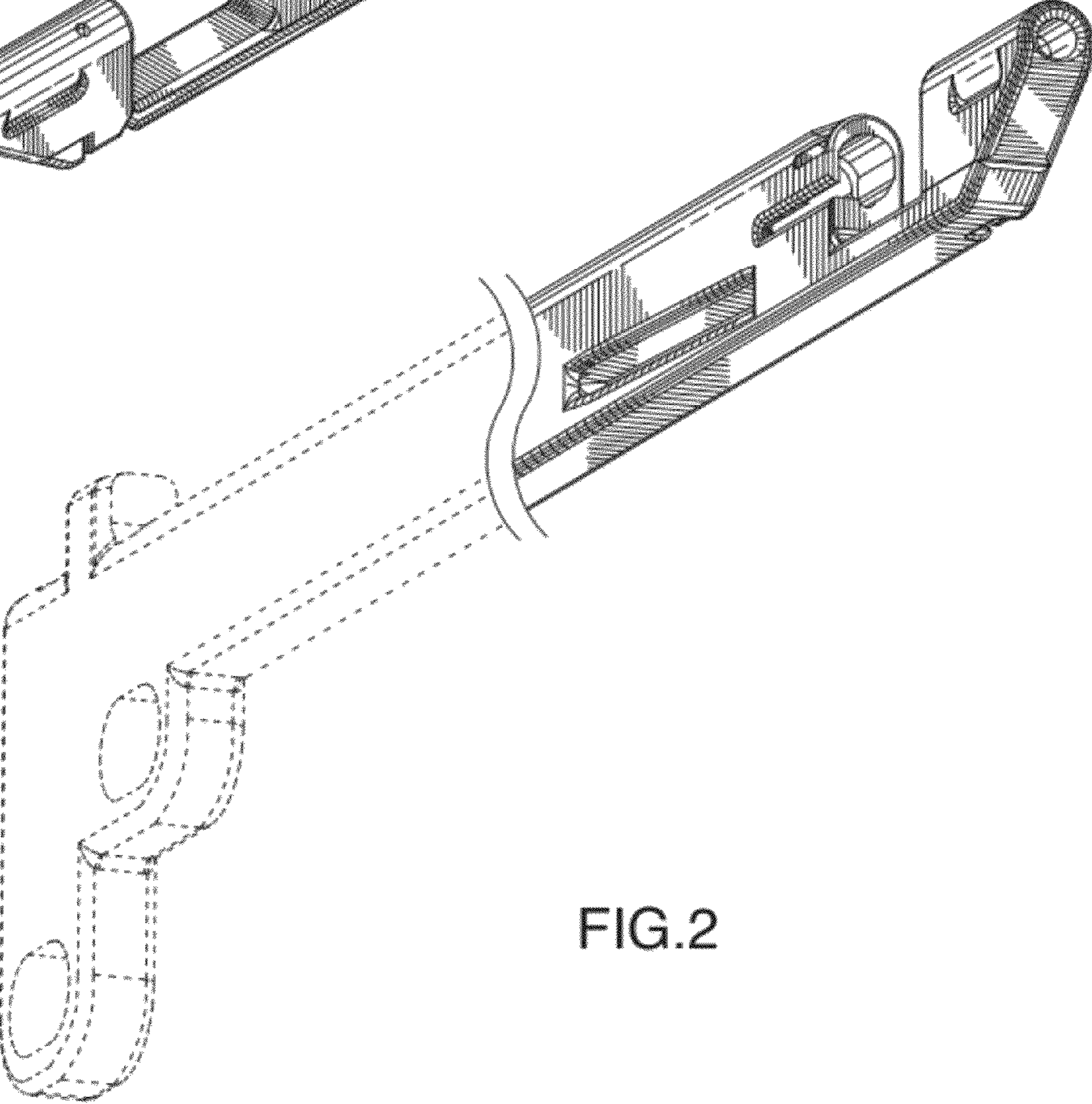


FIG.2



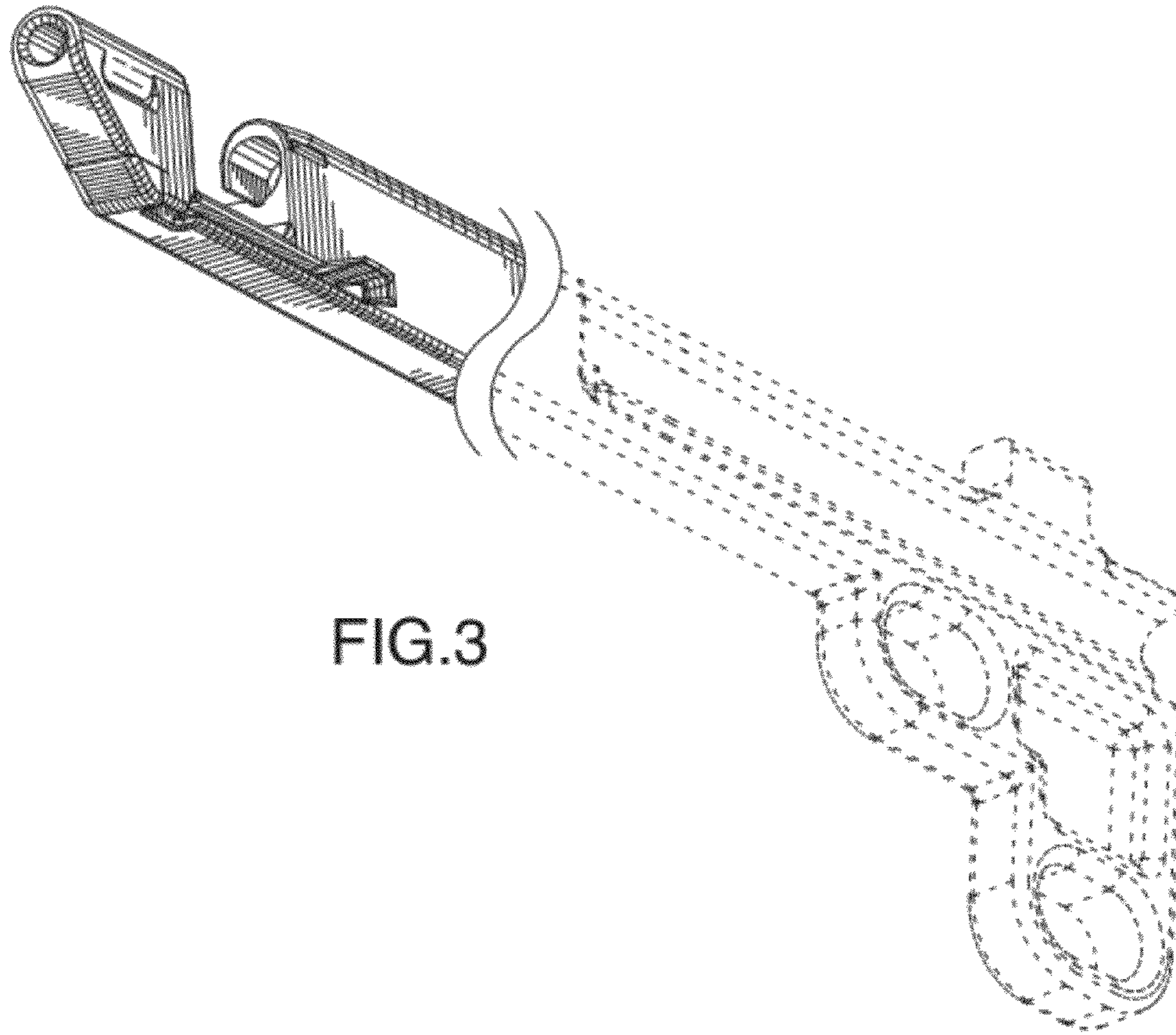


FIG.3

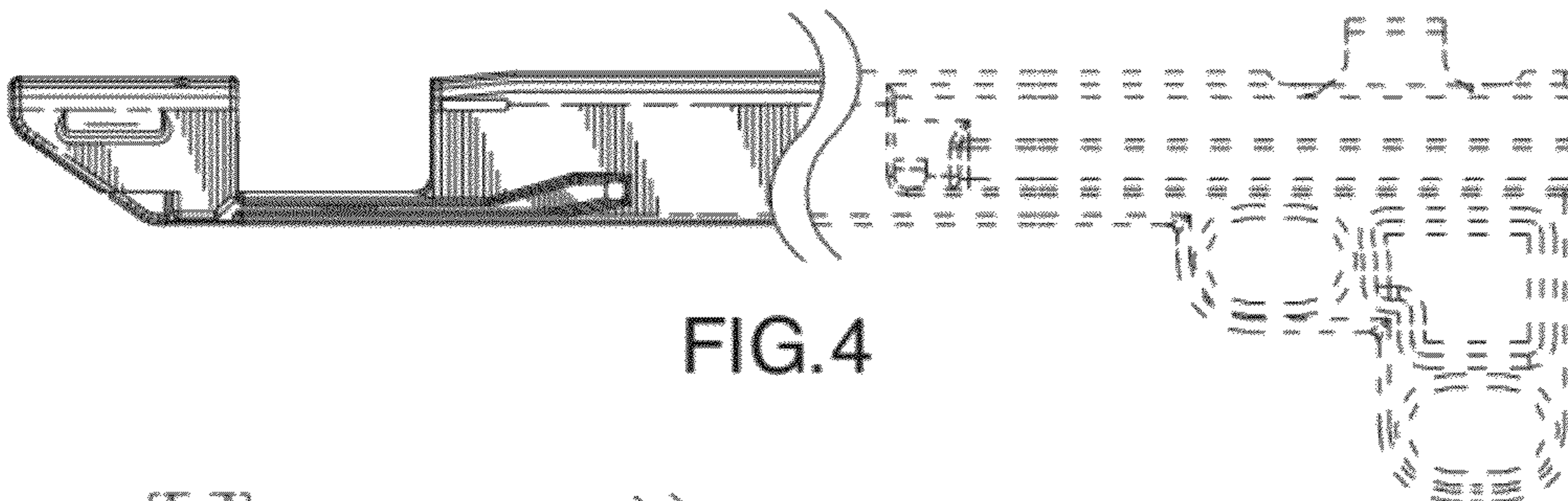


FIG.4

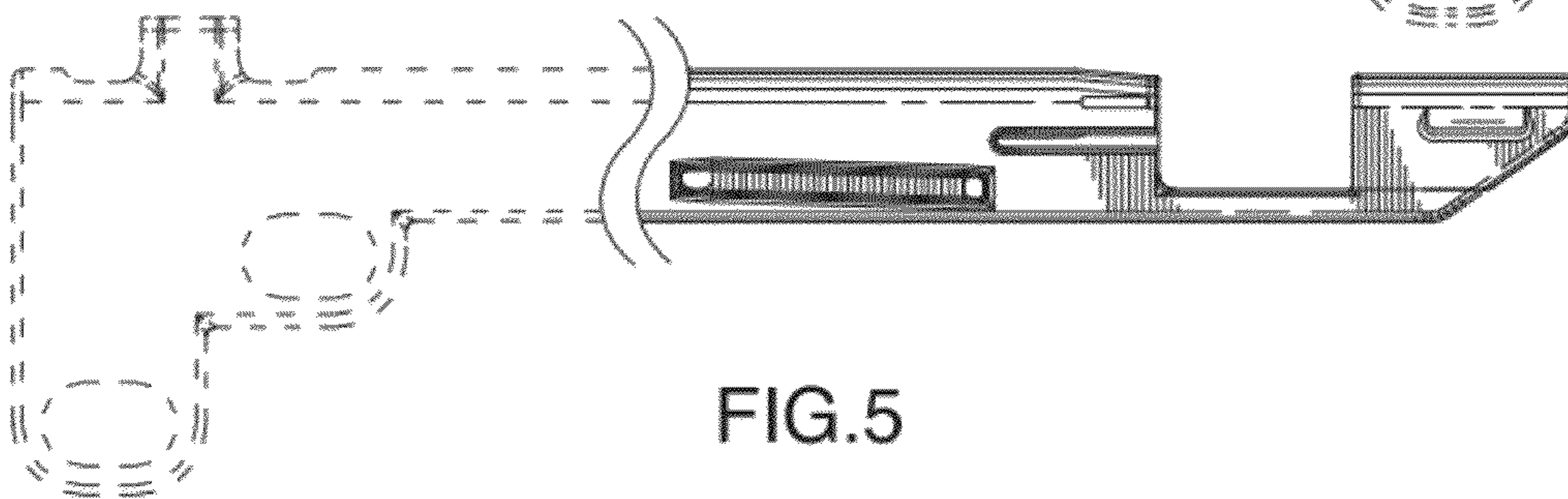


FIG.5

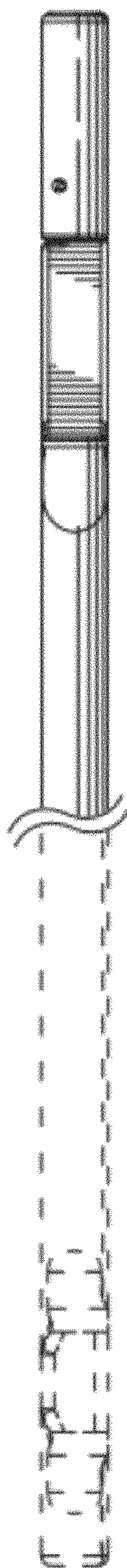


FIG. 6

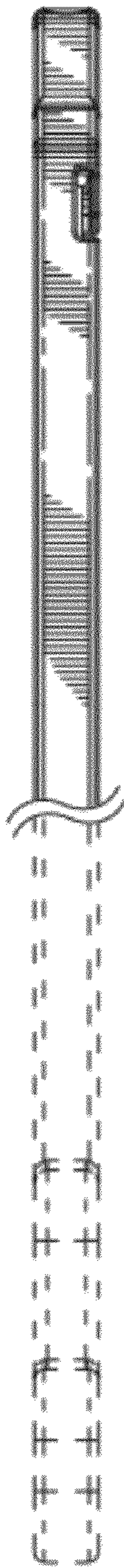


FIG. 7



FIG. 8

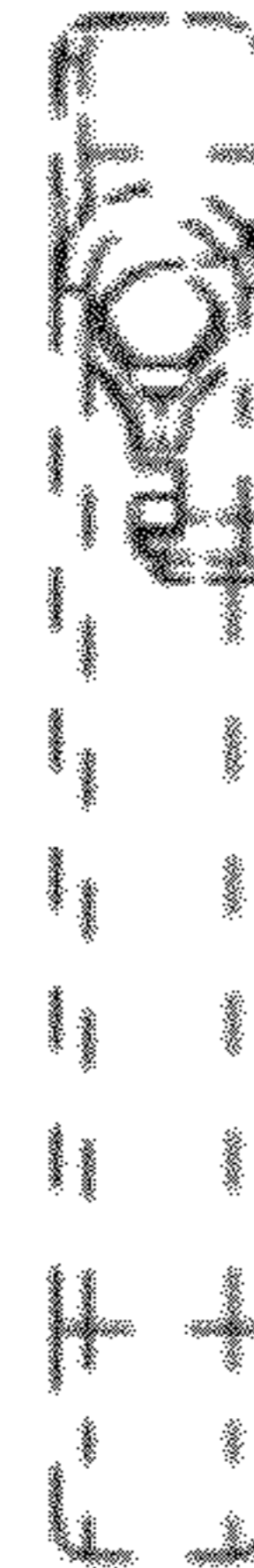


FIG. 9