

US00D675733S

(12) **United States Design Patent**
Karapasha et al.

(10) **Patent No.:** **US D675,733 S**

(45) **Date of Patent:** **** Feb. 5, 2013**

(54) **FEMININE CARE APPLICATOR AND GRIP**

(75) Inventors: **Nancy Karapasha**, Cleves, OH (US);
Kimberly Nichole McConnell, Morrow,
OH (US)

(73) Assignee: **The Procter & Gamble Company**,
Cincinnati, OH (US)

(**) Term: **14 Years**

(21) Appl. No.: **29/409,322**

(22) Filed: **Dec. 21, 2011**

(51) **LOC (9) Cl.** **24-02**

(52) **U.S. Cl.** **D24/141**

(58) **Field of Classification Search** D24/133,
D24/135, 141; 604/11, 14, 16, 18, 206, 363,
604/904, 15; D9/358, 552, 557

See application file for complete search history.

(56) **References Cited**

U.S. PATENT DOCUMENTS

3,148,680	A *	9/1964	Roberts et al.	604/18
D250,663	S *	12/1978	Koch et al.	D24/141
4,361,150	A *	11/1982	Voss	604/15
5,290,501	A *	3/1994	Klesius	604/14
5,389,067	A *	2/1995	Rejai	604/14
5,643,196	A *	7/1997	Child et al.	604/14
5,891,081	A *	4/1999	McNelis et al.	604/14
6,024,716	A *	2/2000	Rejai	604/14

6,095,998	A *	8/2000	Osborn et al.	604/11
6,302,861	B2 *	10/2001	Tweddell et al.	604/15
6,358,223	B1 *	3/2002	Mackay et al.	604/15
6,423,025	B1 *	7/2002	Buzot	604/15
D559,983	S *	1/2008	Edgett et al.	D24/141
2005/0273044	A1 *	12/2005	Gann et al.	604/15
2007/0161942	A1 *	7/2007	Cirovski et al.	604/15
2008/0125692	A1 *	5/2008	Feemster et al.	604/15
2008/0228128	A1 *	9/2008	Karapasha et al.	604/15
2011/0201992	A1 *	8/2011	Smet et al.	604/11

* cited by examiner

Primary Examiner — Wan Laymon

(74) *Attorney, Agent, or Firm* — Andrew J. Hagerty

(57) **CLAIM**

The ornamental design for a feminine care applicator and grip, as shown and described.

DESCRIPTION

FIG. 1 is a perspective view of a feminine care applicator and grip embodying the new design;

FIG. 2 is a side view thereof;

FIG. 3 is another side view thereof;

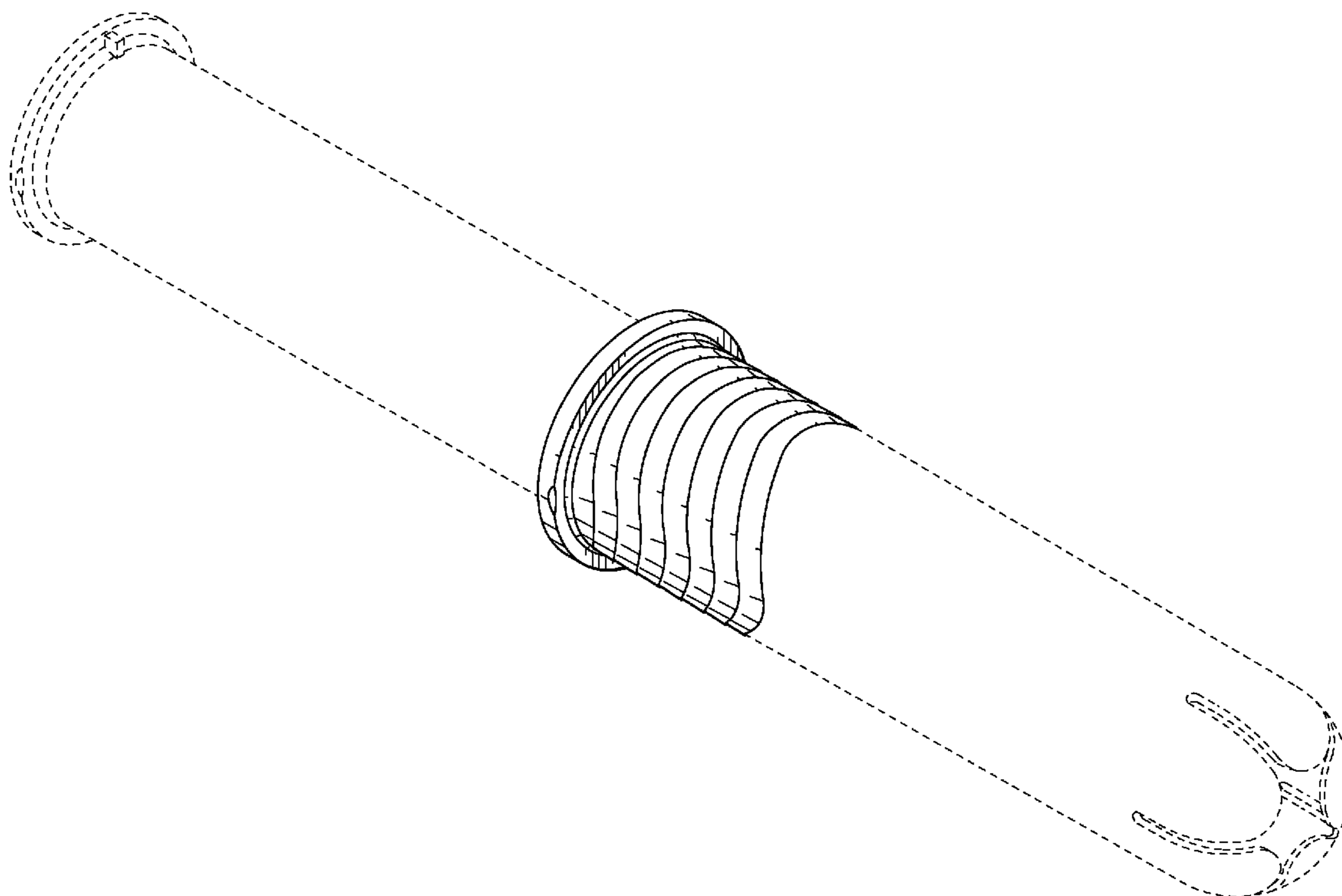
FIG. 4 is a front/back view thereof;

FIG. 5 is a top view thereof; and,

FIG. 6 is a bottom view thereof.

Solid lines shown in the figures described above form the claimed design. Broken lines shown in the figures described above are for illustrative purposes only and form no part of the claimed design.

1 Claim, 3 Drawing Sheets



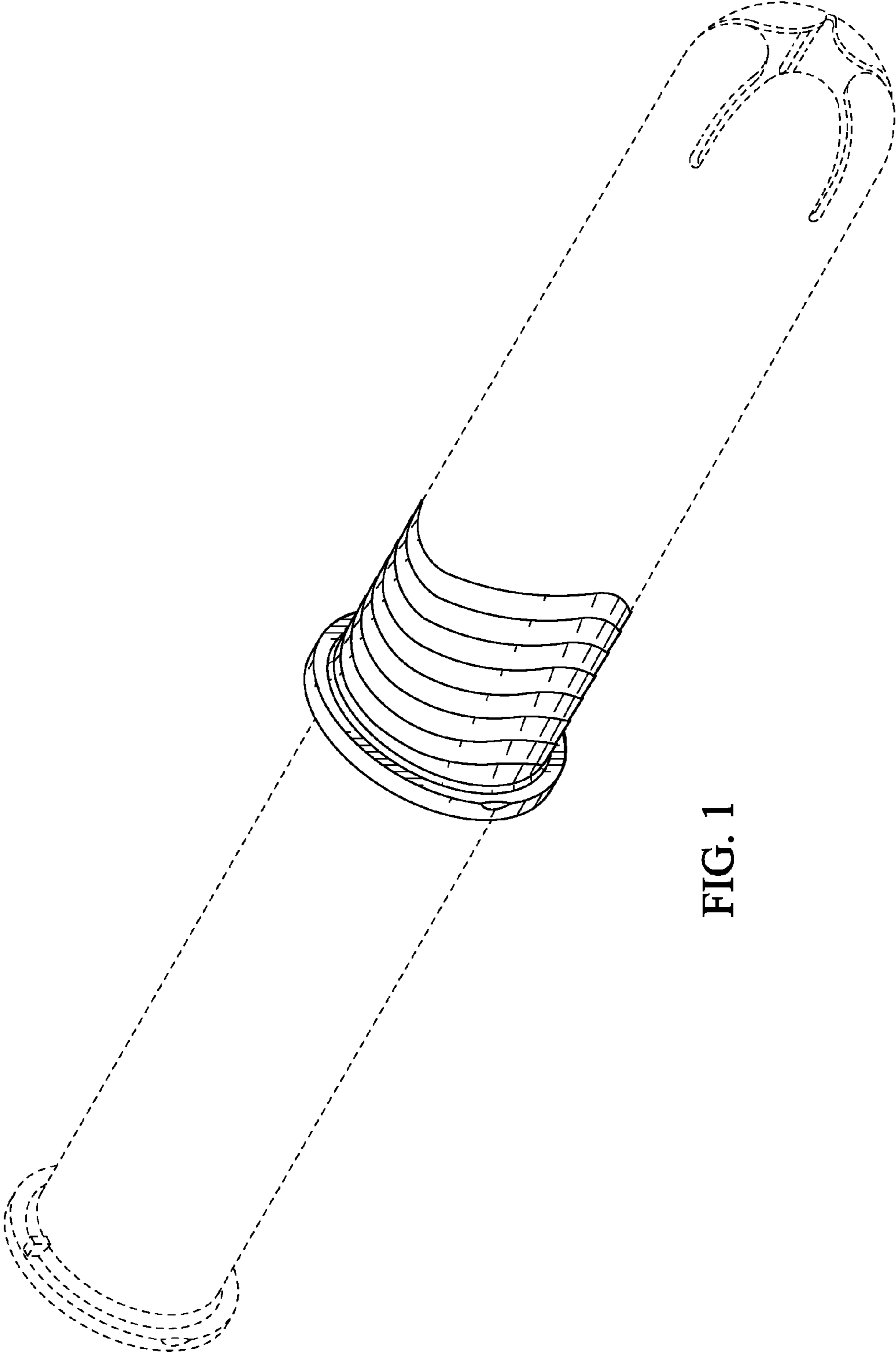


FIG. 1

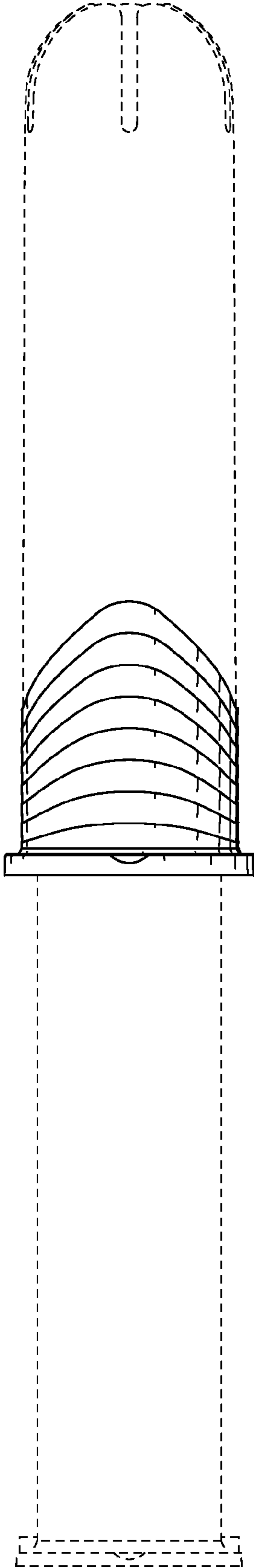


FIG. 2

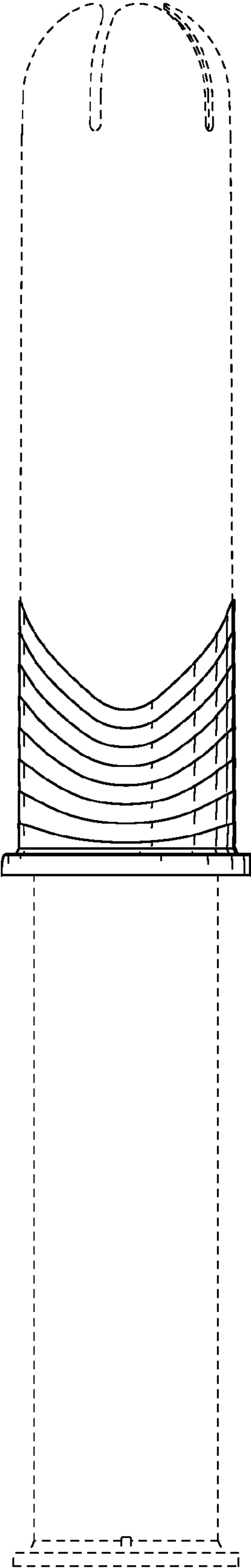


FIG. 3

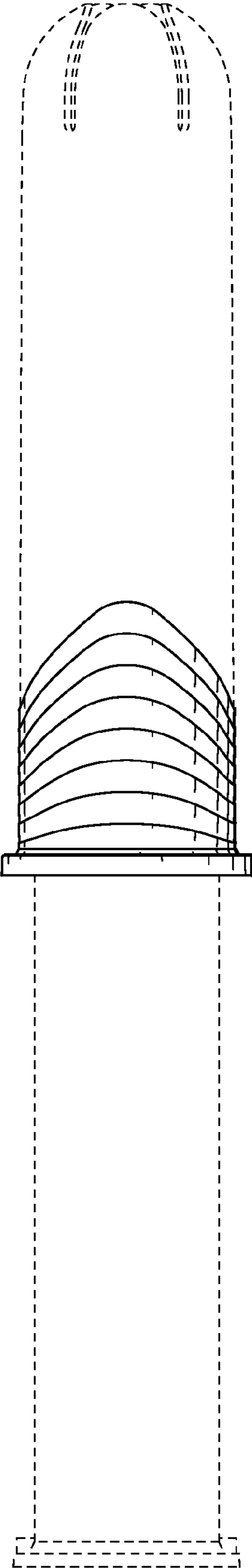


FIG. 4

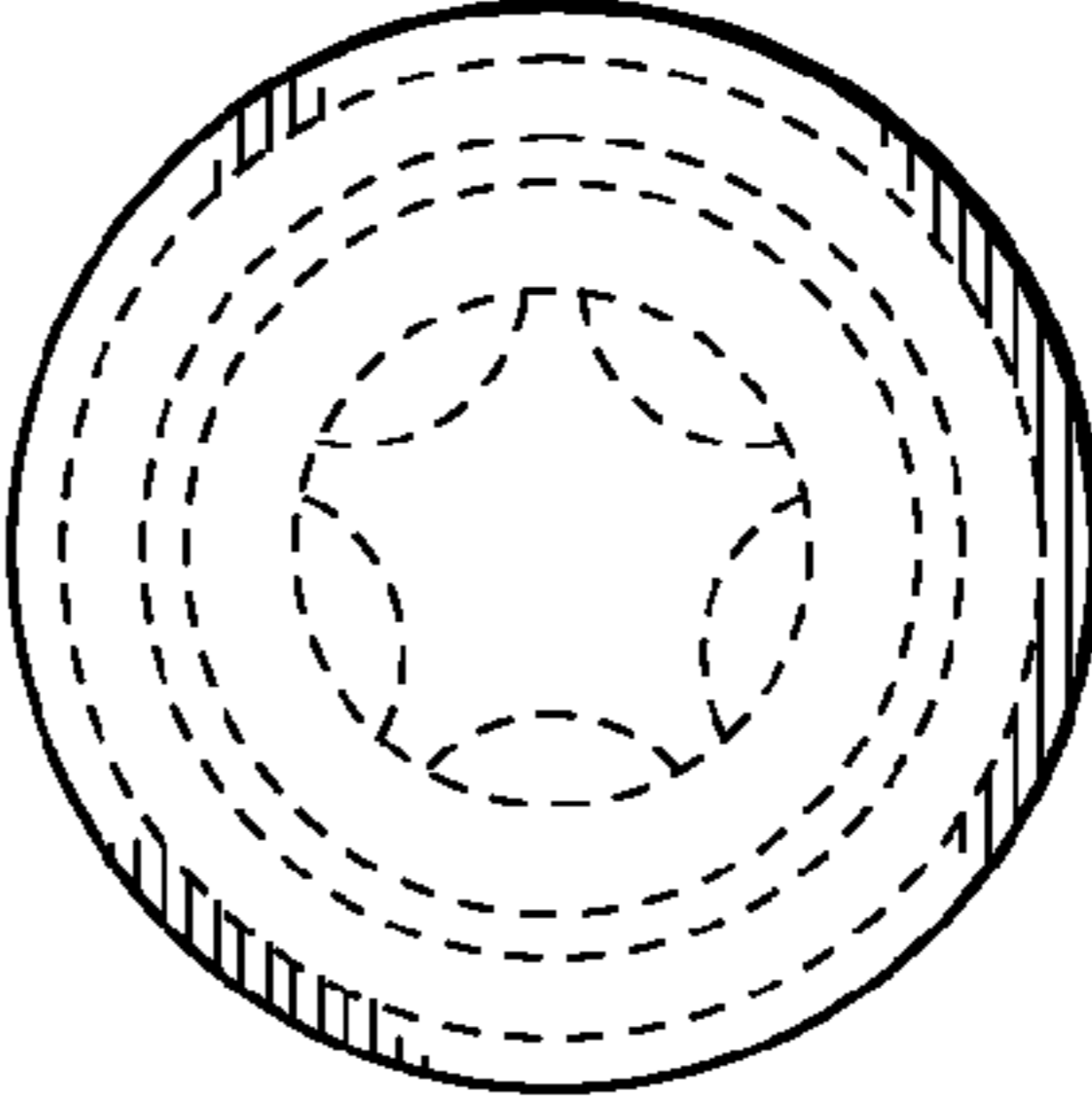


FIG. 6

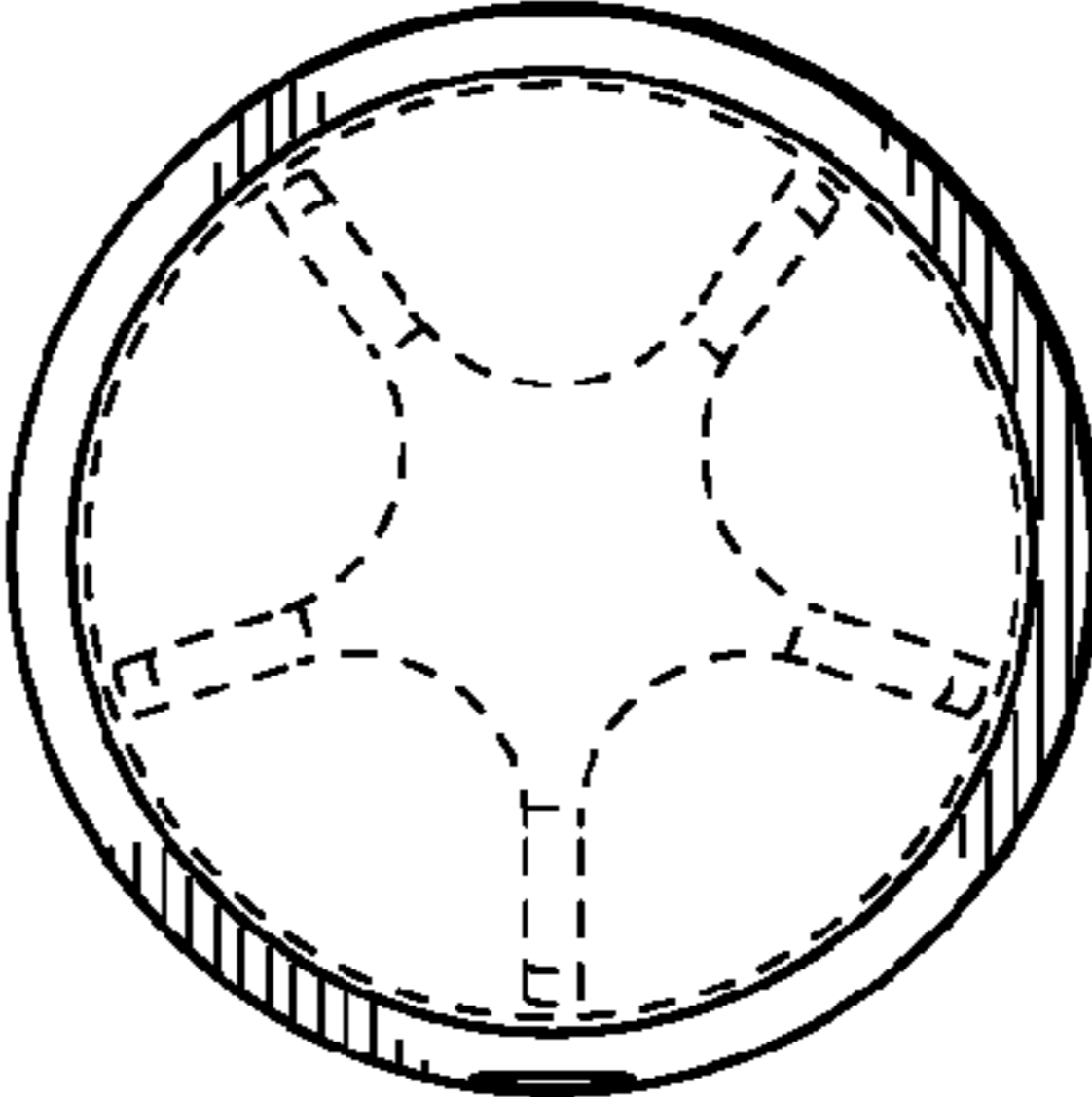


FIG. 5