



US00D675732S

(12) **United States Design Patent**
Baid

(10) **Patent No.:** **US D675,732 S**

(45) **Date of Patent:** **** Feb. 5, 2013**

(54) **I.V. FLOW RATE REGULATOR**

(75) Inventor: **Rishi Baid**, New Delhi (IN)

(73) Assignee: **Poly Medicure Limited**, Faridabad (IN)

(**) Term: **14 Years**

(21) Appl. No.: **29/393,762**

(22) Filed: **Jun. 9, 2011**

(30) **Foreign Application Priority Data**

Dec. 10, 2010 (IN) 233182

(51) **LOC (9) Cl.** **24-02**

(52) **U.S. Cl.** **D24/129**

(58) **Field of Classification Search** D24/108,
D24/112, 127, 129; 604/533, 246, 283, 177,
604/179, 180, 171, 172, 174, 534, 535, 539,
604/284, 248, 500
See application file for complete search history.

(56) **References Cited**

U.S. PATENT DOCUMENTS

D319,506	S *	8/1991	Lal et al.	D24/129
5,514,110	A *	5/1996	Teh	604/247
5,730,730	A *	3/1998	Darling, Jr.	604/246
5,741,429	A *	4/1998	Donadio et al.	216/8
5,814,028	A *	9/1998	Swartz et al.	604/528
5,902,289	A *	5/1999	Swartz et al.	604/530

6,213,986	B1 *	4/2001	Darling, Jr.	604/248
D624,180	S *	9/2010	Grant et al.	D24/129
D630,319	S *	1/2011	Humes	D24/129
7,887,520	B2 *	2/2011	Simon	604/248
D640,372	S *	6/2011	Grant et al.	D24/129
2002/0111585	A1 *	8/2002	Lafontaine	604/167.06
2004/0039346	A1 *	2/2004	Baldwin et al.	604/236
2008/0108955	A1 *	5/2008	Blickhan	604/248
2010/0114040	A1 *	5/2010	Schrifer et al.	604/246
2010/0198167	A1 *	8/2010	Simon	604/248
2010/0211022	A1 *	8/2010	Harr et al.	604/248

* cited by examiner

Primary Examiner — Eric Goodman

(74) *Attorney, Agent, or Firm* — Pearne & Gordon LLP

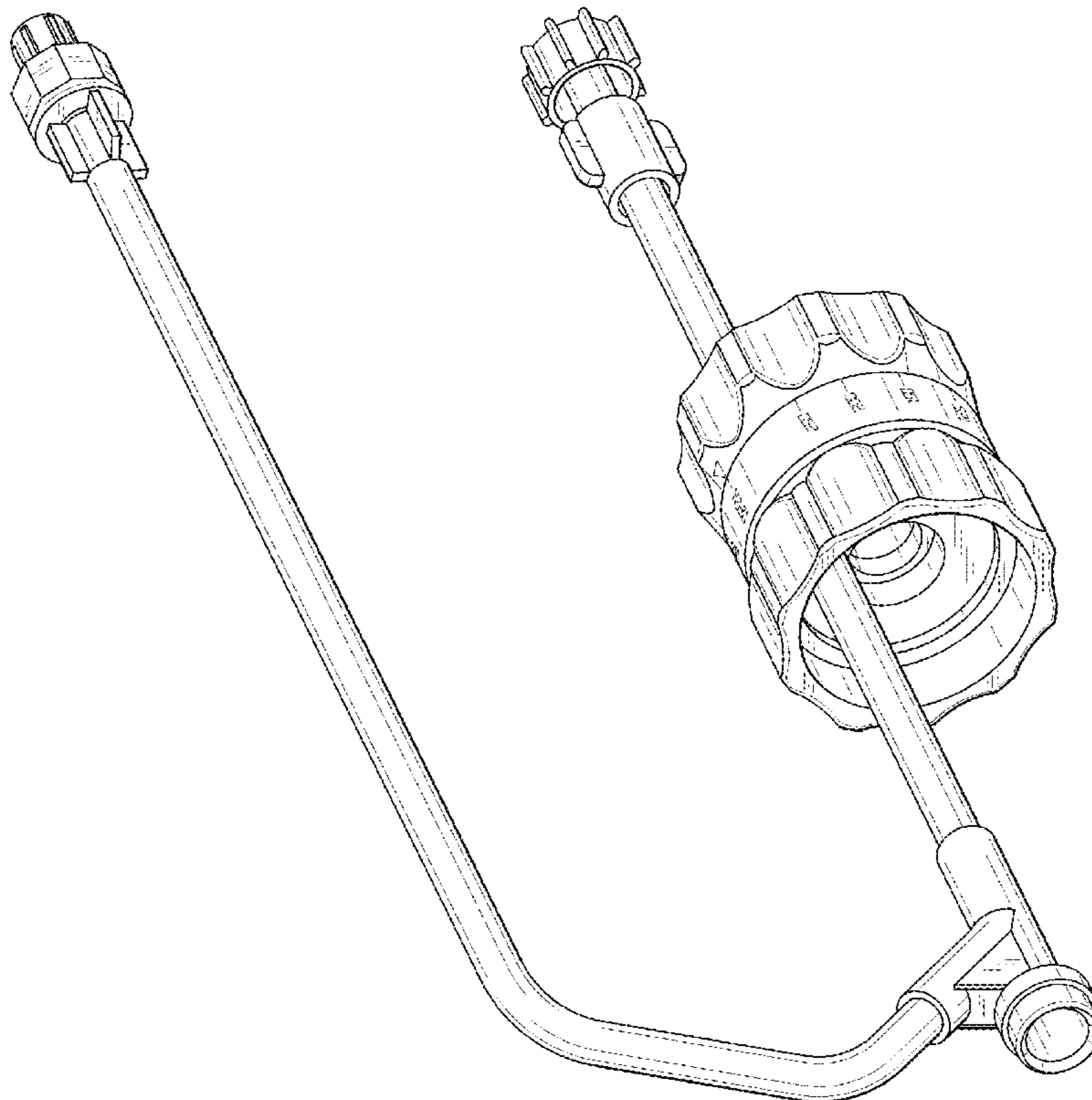
(57) **CLAIM**

The ornamental design for a I.V. flow rate regulator, as shown and described.

DESCRIPTION

FIG. 1 is a perspective view of my new invention;
FIG. 2 is a right side view thereof;
FIG. 3 is a left side view thereof;
FIG. 4 is a front view thereof, a rear view being a mirror image thereof;
FIG. 5 is a top view thereof; and,
FIG. 6 is a bottom view thereof.
The broken line showing in FIGS. 1-5 is to illustrate portions of the article and form no part of the claimed design.

1 Claim, 4 Drawing Sheets



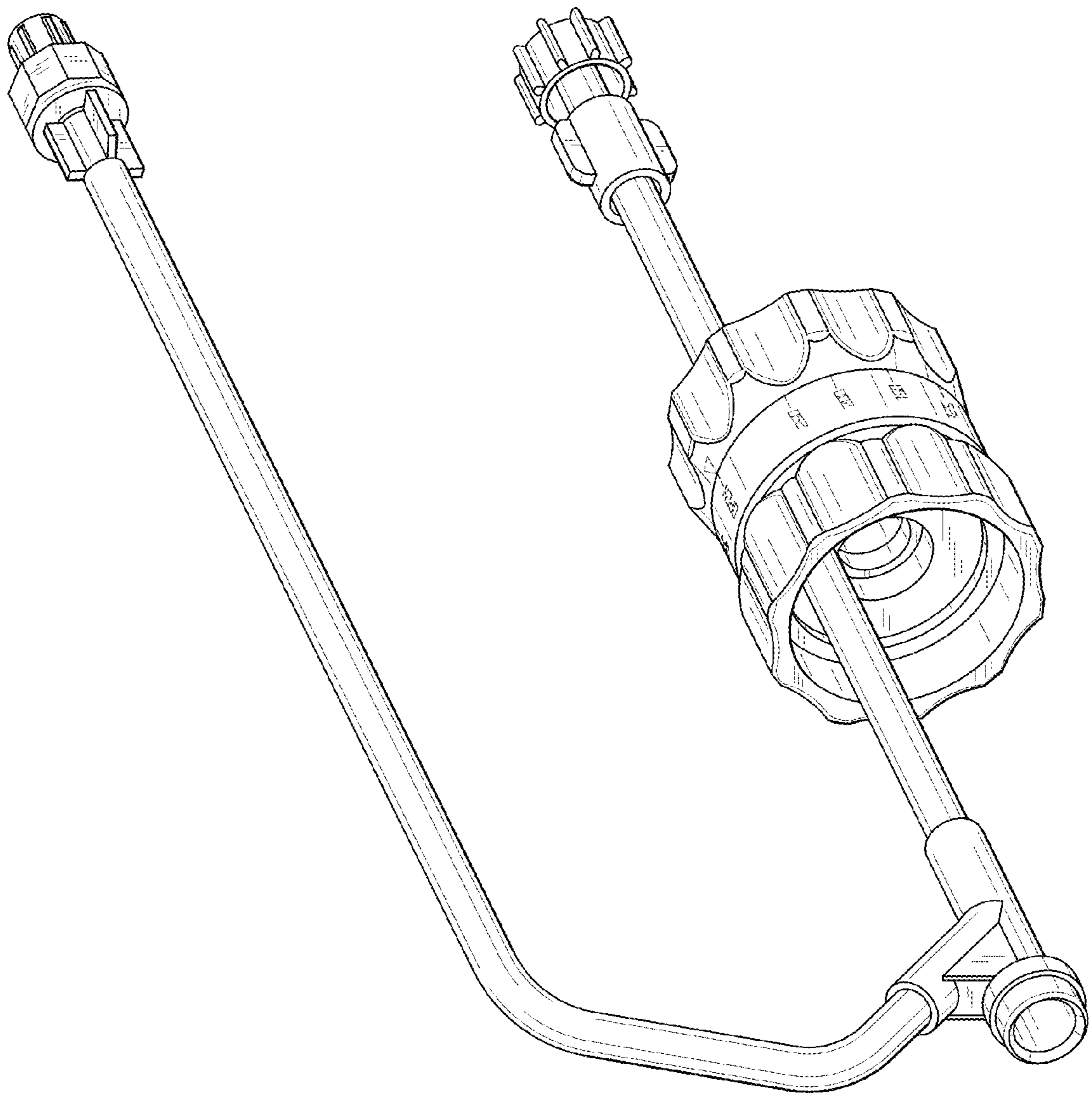


FIG. 1

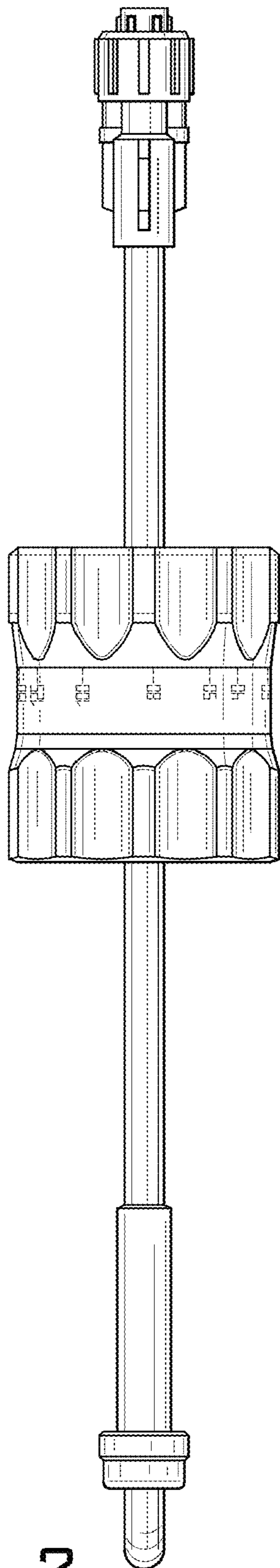


FIG. 2

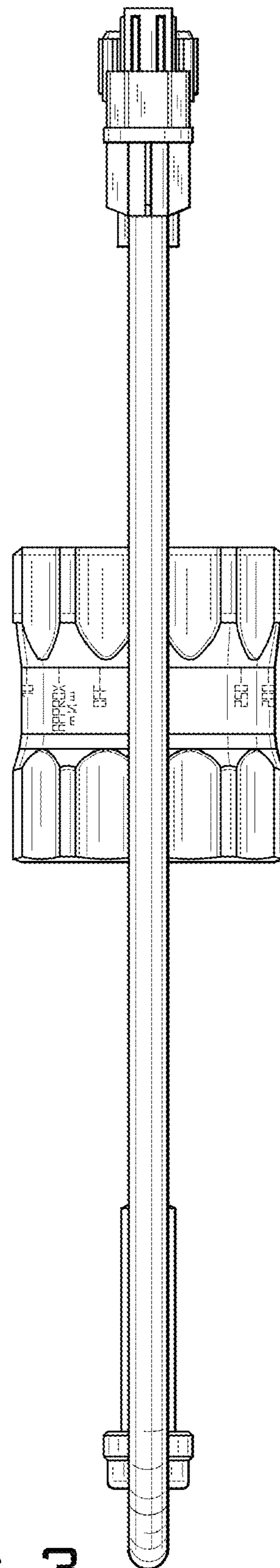


FIG. 3

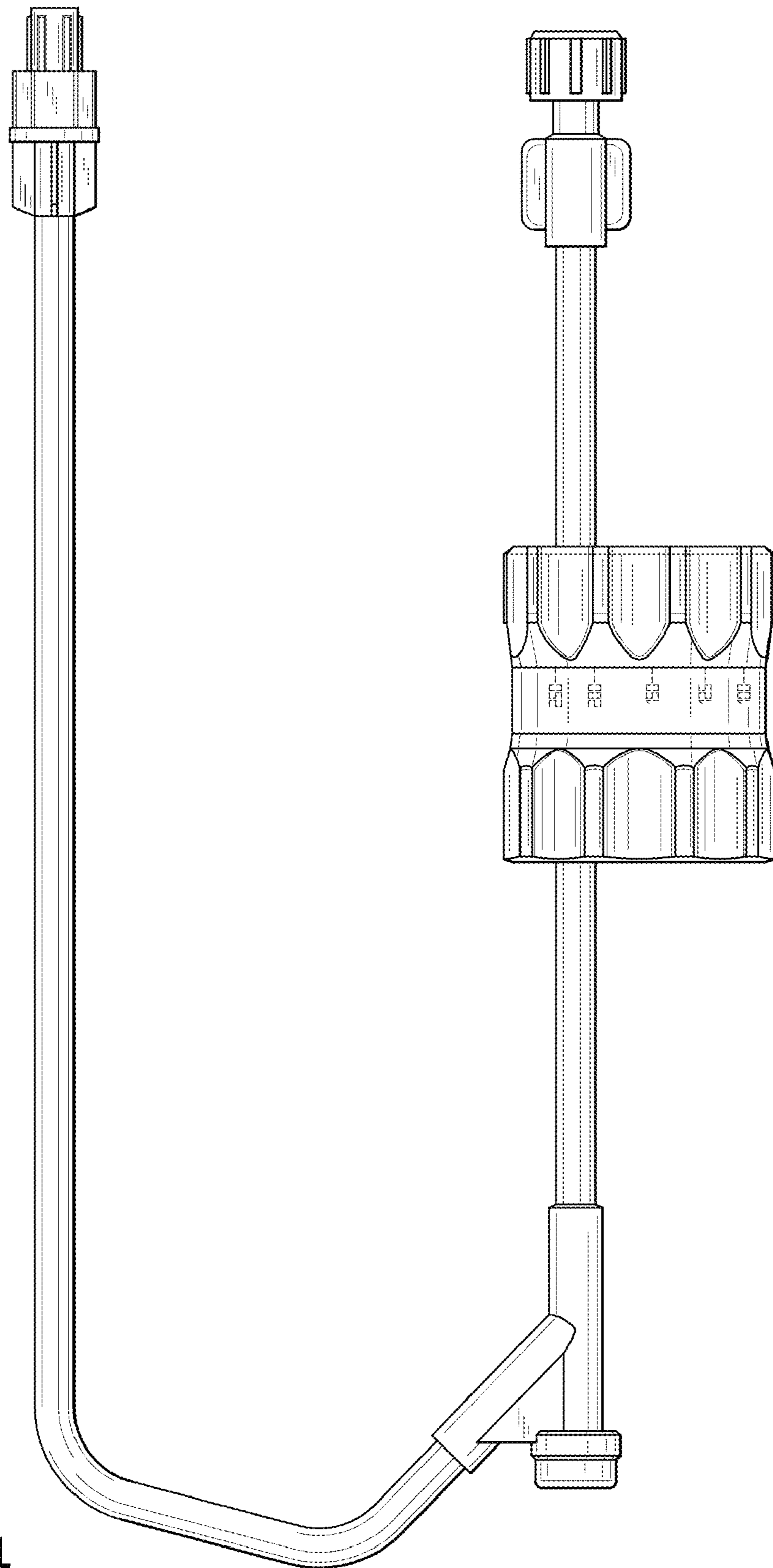


FIG. 4

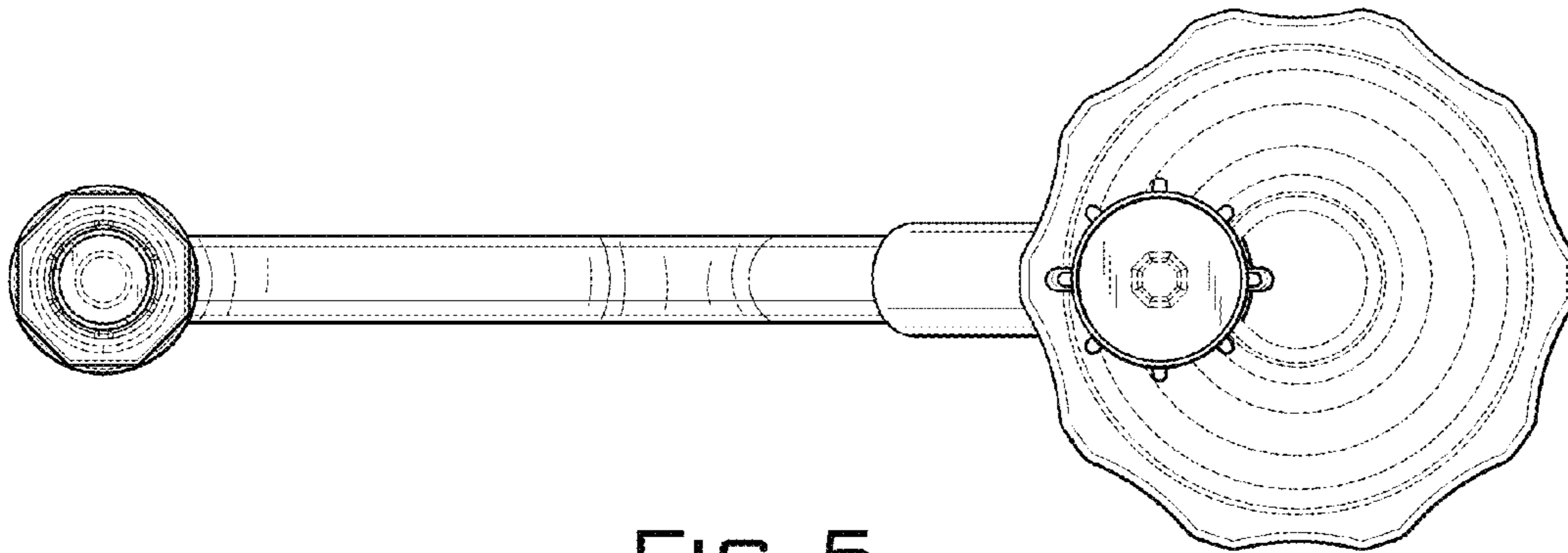


FIG. 5

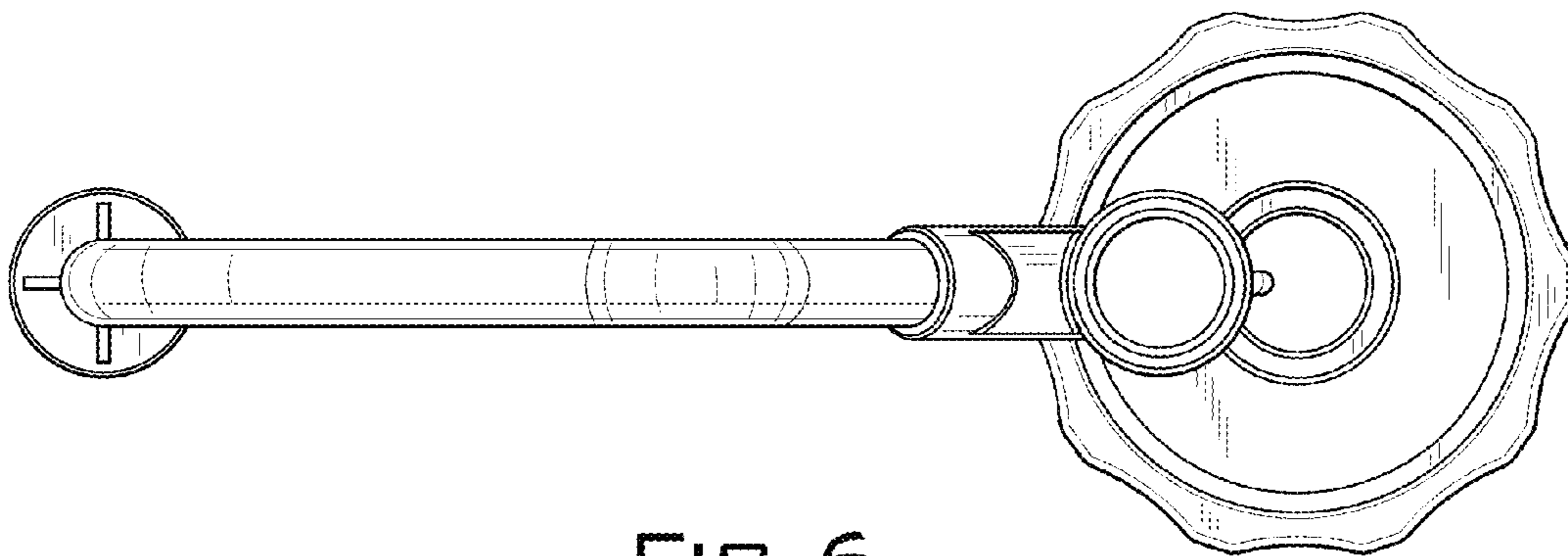


FIG. 6