



(12) **United States Design Patent**
Lithgow et al.

(10) **Patent No.:** **US D675,730 S**
(45) **Date of Patent:** **** Feb. 5, 2013**

(54) **AIR DELIVERY DEVICE**

(75) Inventors: **Perry David Lithgow**, Moruya (AU);
Duncan Lovel Trevor-Wilson, Frenches
Forest (AU); **Rohan Neil Primrose**,
Marsfield (AU)

(73) Assignee: **ResMed Limited**, Bella Vista (AU)

(**) Term: **14 Years**

(21) Appl. No.: **29/347,863**

(22) Filed: **Jun. 28, 2010**

Related U.S. Application Data

(60) Continuation of application No. 29/290,128, filed on
Oct. 24, 2007, now Pat. No. Des. 621,031, which is a
continuation of application No. 29/274,263, filed on
Apr. 10, 2007, now Pat. No. Des. 557,407, which is a
division of application No. 29/207,856, filed on Jun.
18, 2004, now Pat. No. Des. 544,598.

(51) **LOC (9) Cl.** **29-02**

(52) **U.S. Cl.** **D24/110**

(58) **Field of Classification Search** D24/110,
D24/164-165; D23/356, 358, 359, 363;
128/200.14, 200.16, 200.18, 200.23, 200.24,
128/203.12, 203.16, 203.17, 204.14, 204.18,
128/204.21, 204.23

See application file for complete search history.

(56) **References Cited**

U.S. PATENT DOCUMENTS

D421,298 S	2/2000	Kenyon et al.	
D427,675 S	7/2000	Hansel	
D467,335 S	12/2002	Lithgow et al.	
D468,011 S *	12/2002	Lithgow et al.	D24/110
D476,077 S	6/2003	Lithgow et al.	
D477,868 S *	7/2003	Lithgow et al.	D24/110
D487,311 S	3/2004	Lithgow et al.	
D493,520 S	7/2004	Bertinetti et al.	
D493,884 S	8/2004	Virr et al.	
D497,203 S *	10/2004	Lithgow et al.	D24/110
D498,527 S	11/2004	Virr et al.	

D503,796 S	4/2005	Lithgow et al.	
D544,598 S	6/2007	Lithgow et al.	
D557,407 S	12/2007	Lithgow et al.	
D560,795 S *	1/2008	Lithgow et al.	D24/110
D585,540 S *	1/2009	Lithgow et al.	D24/110
8,006,691 B2 *	8/2011	Kenyon et al.	128/200.24
8,020,551 B2 *	9/2011	Virr et al.	128/200.24
8,028,693 B2 *	10/2011	Trevor-Wilson et al.	128/200.24
8,042,535 B2 *	10/2011	Kenyon et al.	128/200.24
D658,755 S *	5/2012	Lithgow	D24/110
D659,235 S *	5/2012	Bertinetti et al.	D24/110
2007/0193582 A1 *	8/2007	Kwok et al.	128/204.18
2008/0072900 A1 *	3/2008	Kenyon et al.	128/204.18
2009/0223514 A1 *	9/2009	Smith et al.	128/203.14
2010/0147301 A1 *	6/2010	Kwok	128/204.21
2011/0017212 A1 *	1/2011	Kenyon et al.	128/203.12
2011/0023877 A1 *	2/2011	Kenyon et al.	128/203.12
2011/0167430 A1 *	7/2011	Ahmed et al.	719/313
2011/0180068 A1 *	7/2011	Kenyon et al.	128/203.26
2011/0203587 A1 *	8/2011	Bertinetti et al.	128/204.18

OTHER PUBLICATIONS

Lithgow et al., U.S. Appl. No. 29/290,128, filed Oct. 24, 2007.

* cited by examiner

Primary Examiner — Way Laymon

(74) *Attorney, Agent, or Firm* — Nixon & Vanderhye P.C.

(57) **CLAIM**

The ornamental appearance of an air delivery device, as
shown and described.

DESCRIPTION

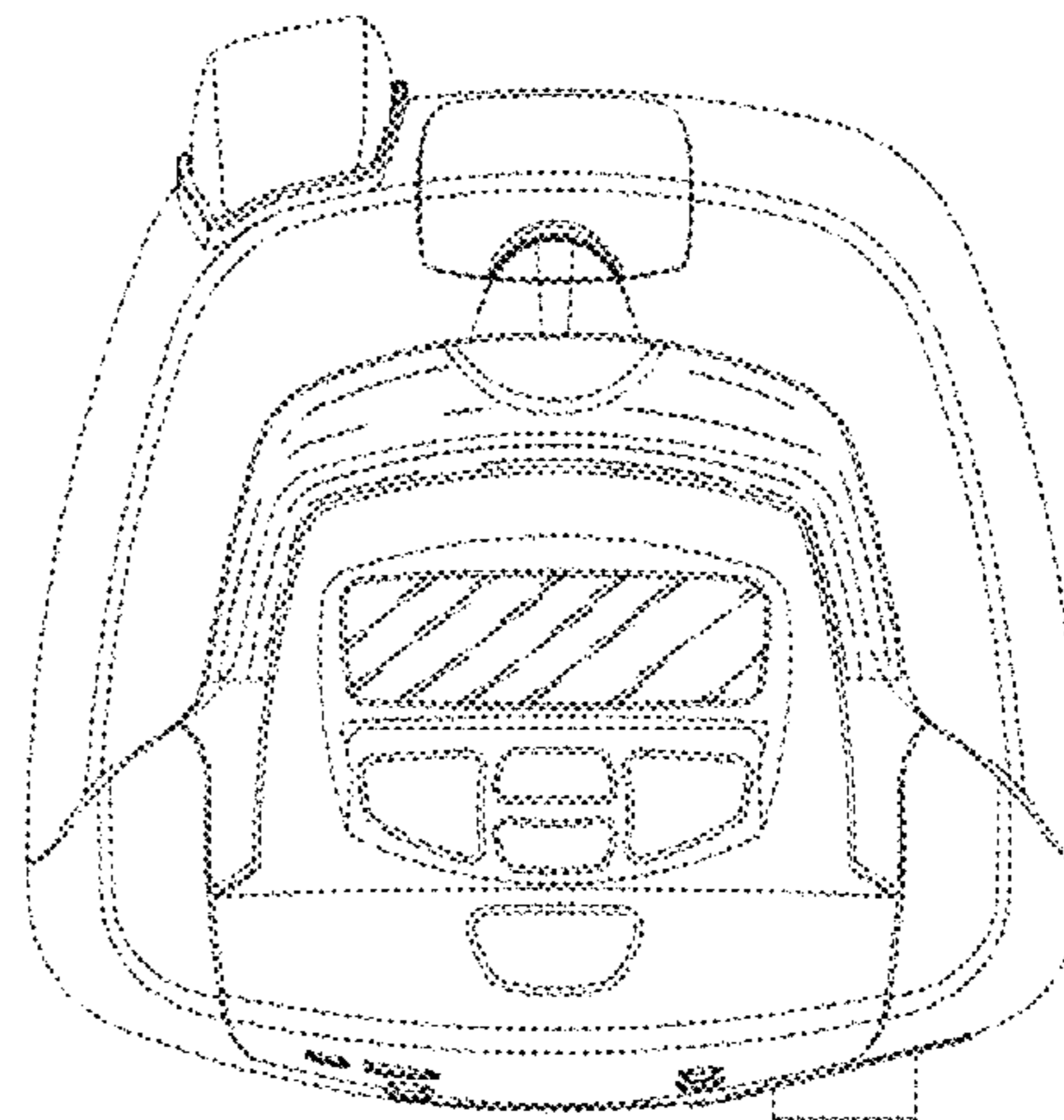
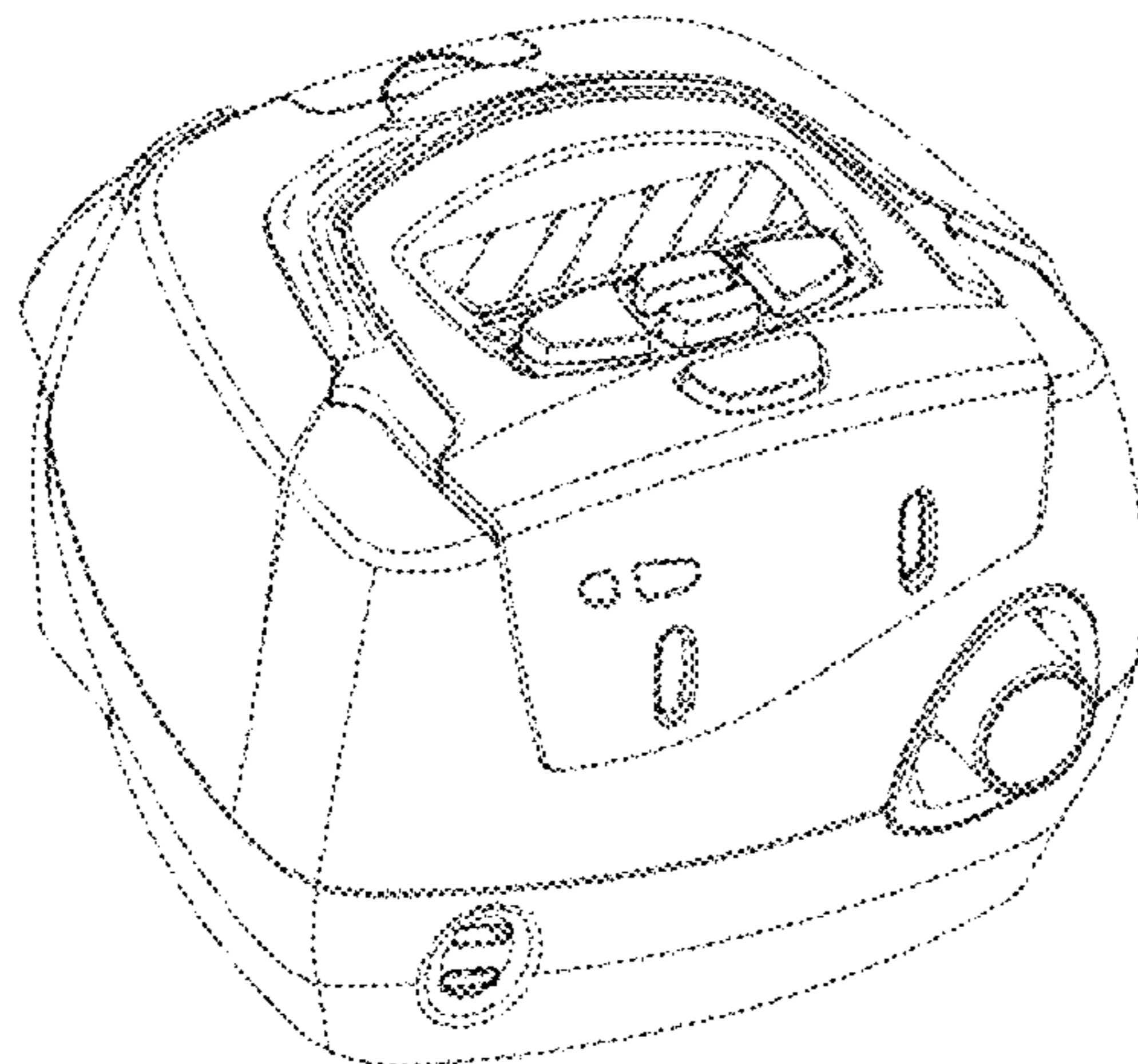
FIG. 1 is a perspective view of an air delivery device accord-
ing to an embodiment of our design; and,
FIG. 2 is a top view thereof.

The broken lines showing environment or structure of the air
delivery device are for illustrative purposes only and form no
part of the claimed design.

The dotted lines represent the border between claimed and
non-claimed subject matter and form no part of the claimed
design.

The stippling in FIGS. 1 and 2 is used to indicate shading.

1 Claim, 2 Drawing Sheets



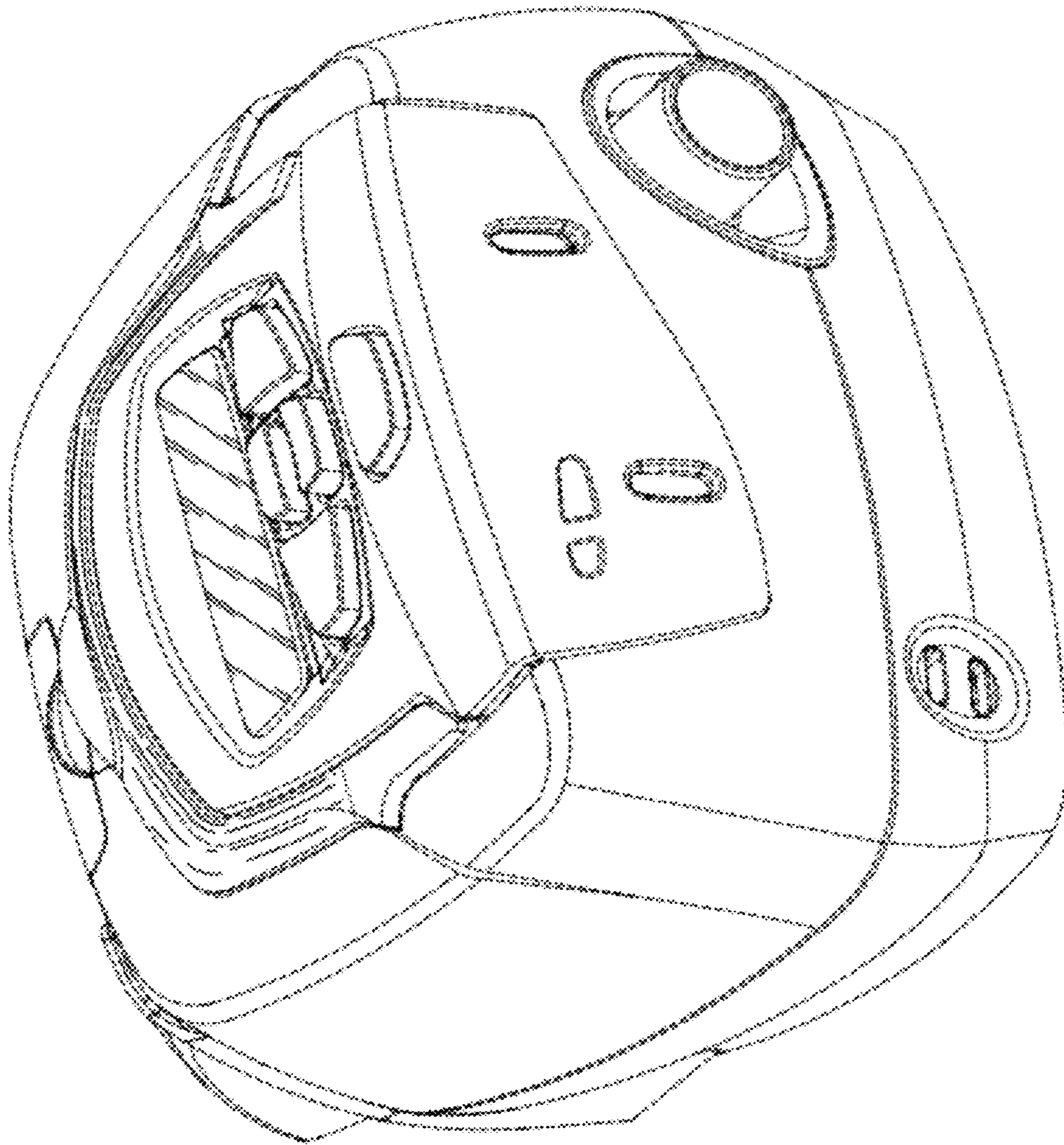


Fig. 1

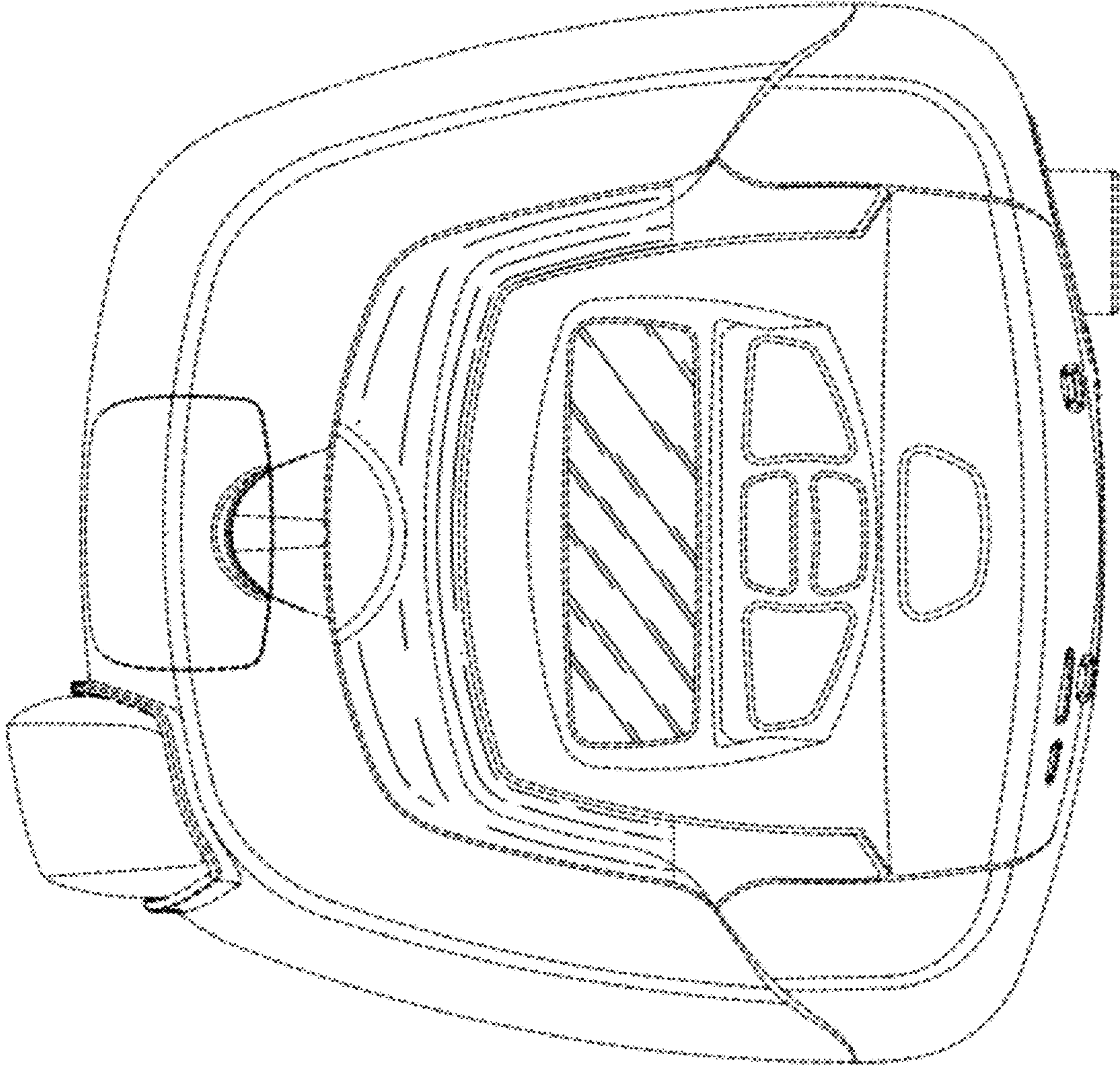


Fig. 2