



US00D675727S

(12) **United States Design Patent**  
**Collins et al.**

(10) **Patent No.:** **US D675,727 S**  
(45) **Date of Patent:** **\*\* Feb. 5, 2013**

- (54) **ENCLOSURE FOR A PORTABLE HEMODIALYSIS SYSTEM**
- (75) Inventors: **David E. Collins**, Manchester, NH (US);  
**Jared Farlow**, Manchester, NH (US);  
**Katherine M. Hickey**, Columbus, OH (US);  
**Kevin L. Grant**, Litchfield, NH (US);  
**James D. Dale**, Nashua, NH (US);  
**Jason A. Demers**, Manchester, NH (US);  
**Arun D. Chawan**, Manchester, NH (US)

5,568,362	A *	10/1996	Hansson .....	361/736
D606,197	S	12/2009	Collins et al.	
D639,930	S	6/2011	Collins et al.	
D650,063	S *	12/2011	Collins et al. ....	D24/107
D664,660	S *	7/2012	Hickey et al. ....	D24/169
2009/0101549	A1	4/2009	Kamen	
2009/0114582	A1 *	5/2009	Grant et al. ....	210/175
2010/0056975	A1 *	3/2010	Dale et al. ....	604/6.16
2010/0057016	A1 *	3/2010	Dale et al. ....	604/250
2010/0133153	A1 *	6/2010	Beden et al. ....	210/85

- (73) Assignee: **DEKA Products Limited Partnership**,  
Manchester, NH (US)
- (\*\*) Term: **14 Years**
- (21) Appl. No.: **29/405,142**
- (22) Filed: **Oct. 28, 2011**

**Related U.S. Application Data**

- (62) Division of application No. 29/391,183, filed on May 4, 2011, now Pat. No. Des. 650,063, which is a division of application No. 29/323,597, filed on Aug. 27, 2008, now Pat. No. Des. 639,930.

- (51) **LOC (9) Cl.** ..... **24-06**
- (52) **U.S. Cl.** ..... **D24/107**
- (58) **Field of Classification Search** ..... D24/11,  
D24/127-145, 169, 191, 216-227; D10/30-38,  
D10/57, 70-78, 98, 104; 600/229; 606/87,  
606/88, 96, 102, 103, 142, 151-158, 213;  
417/395; 604/5.04, 6.01, 6.07, 63.08; 210/175,  
210/246

See application file for complete search history.

(56) **References Cited**

**U.S. PATENT DOCUMENTS**

4,479,761	A	10/1984	Bilstad et al.	
4,637,813	A	1/1987	DeVries	
5,116,316	A *	5/1992	Sertic et al. ....	604/83
D350,823	S *	9/1994	Lanigan .....	D24/111
5,420,962	A *	5/1995	Bakke .....	392/470

**OTHER PUBLICATIONS**

“2008 Mini Cooper Interior View Photo,” 2 pages, [http://www.motortrend.com/roadtests/hatchbacks/112\\_0702\\_2007\\_mini\\_cooper/photo\\_04.html](http://www.motortrend.com/roadtests/hatchbacks/112_0702_2007_mini_cooper/photo_04.html) (accessed Jul. 16, 2009).  
Photo of 2007 Mini Cooper S Convertible door controls, 1 page, [http://1.yimg.com/dv/izp/mini\\_cooper\\_s\\_convertible\\_2007\\_interior\\_doorcontrols.jpg](http://1.yimg.com/dv/izp/mini_cooper_s_convertible_2007_interior_doorcontrols.jpg) (accessed Jul. 16, 2009).

\* cited by examiner

*Primary Examiner* — Richard E Chilcot

(74) *Attorney, Agent, or Firm* — Wolf, Greenfield & Sacks, P.C.

(57) **CLAIM**

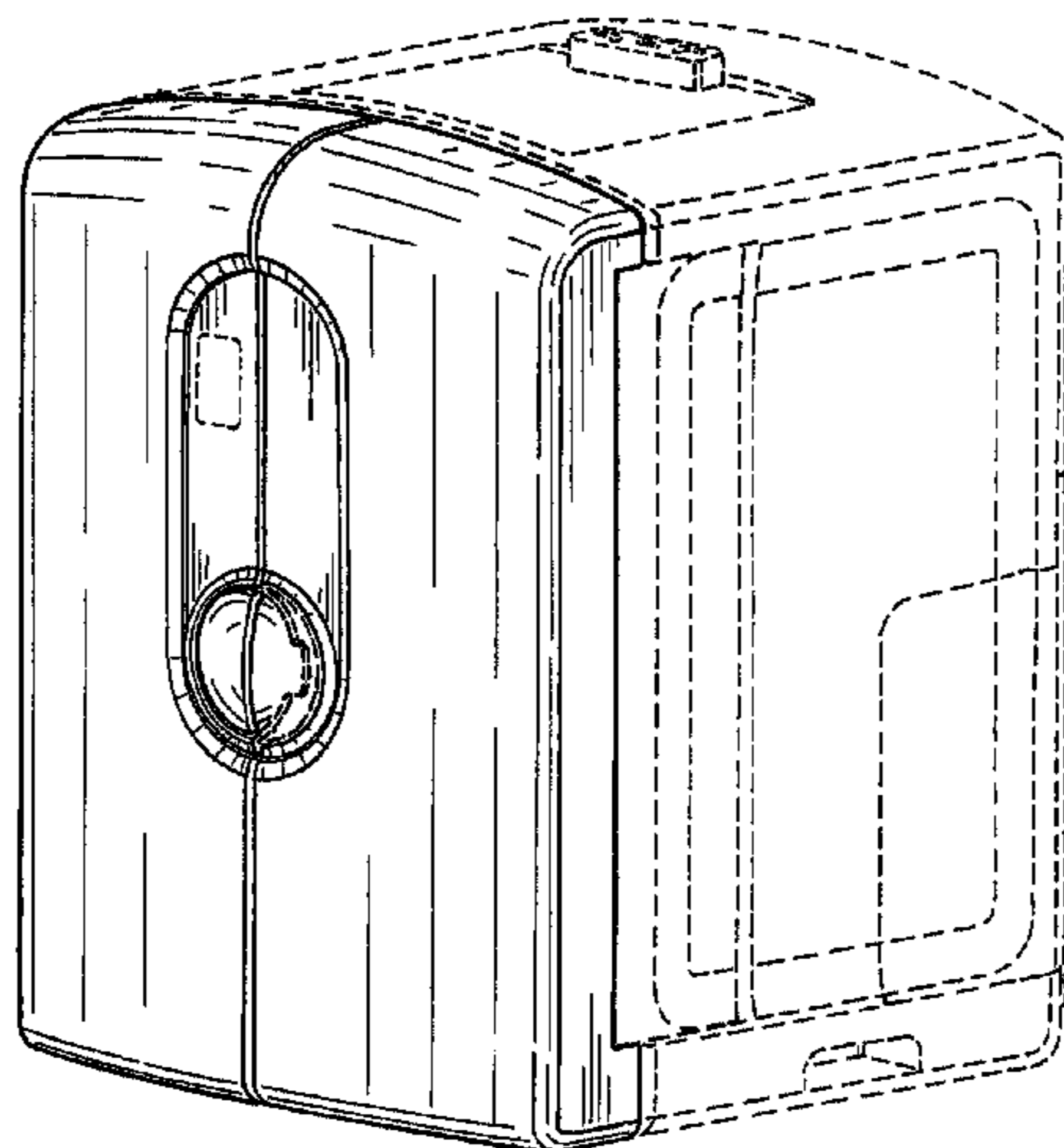
The ornamental design for an enclosure for a portable hemodialysis system, as shown and described.

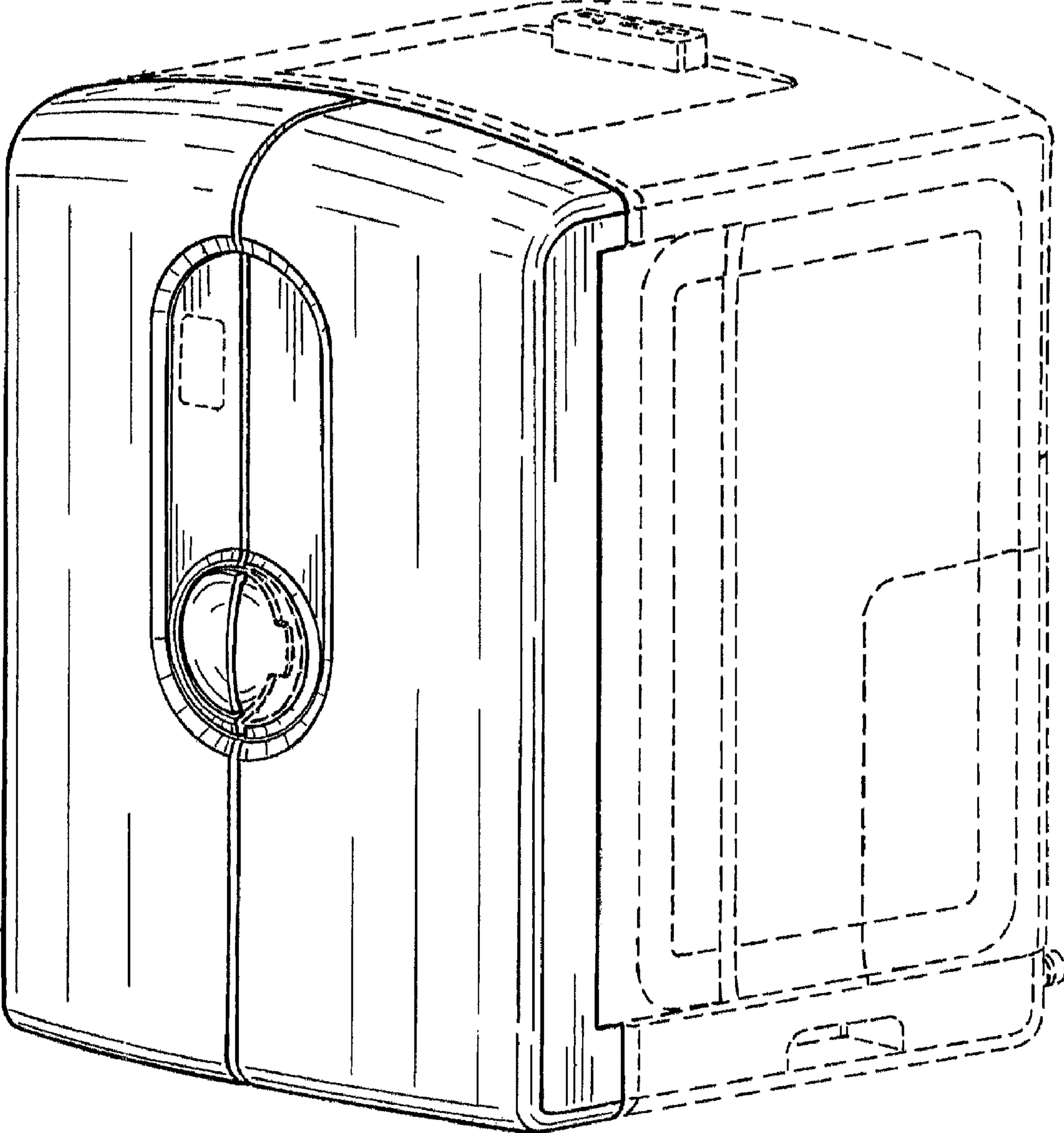
**DESCRIPTION**

FIG. 1 is a top, front, right-side perspective view of the enclosure for a portable hemodialysis system;  
FIG. 2 is a top, rear, left-side perspective view thereof;  
FIG. 3 is a front elevational view thereof;  
FIG. 4 is a rear elevational view thereof  
FIG. 5 is a left-side elevational view thereof;  
FIG. 6 is a right-side elevational view thereof;  
FIG. 7 is a top plan view of an thereof; and,  
FIG. 8 is a bottom plan view thereof.

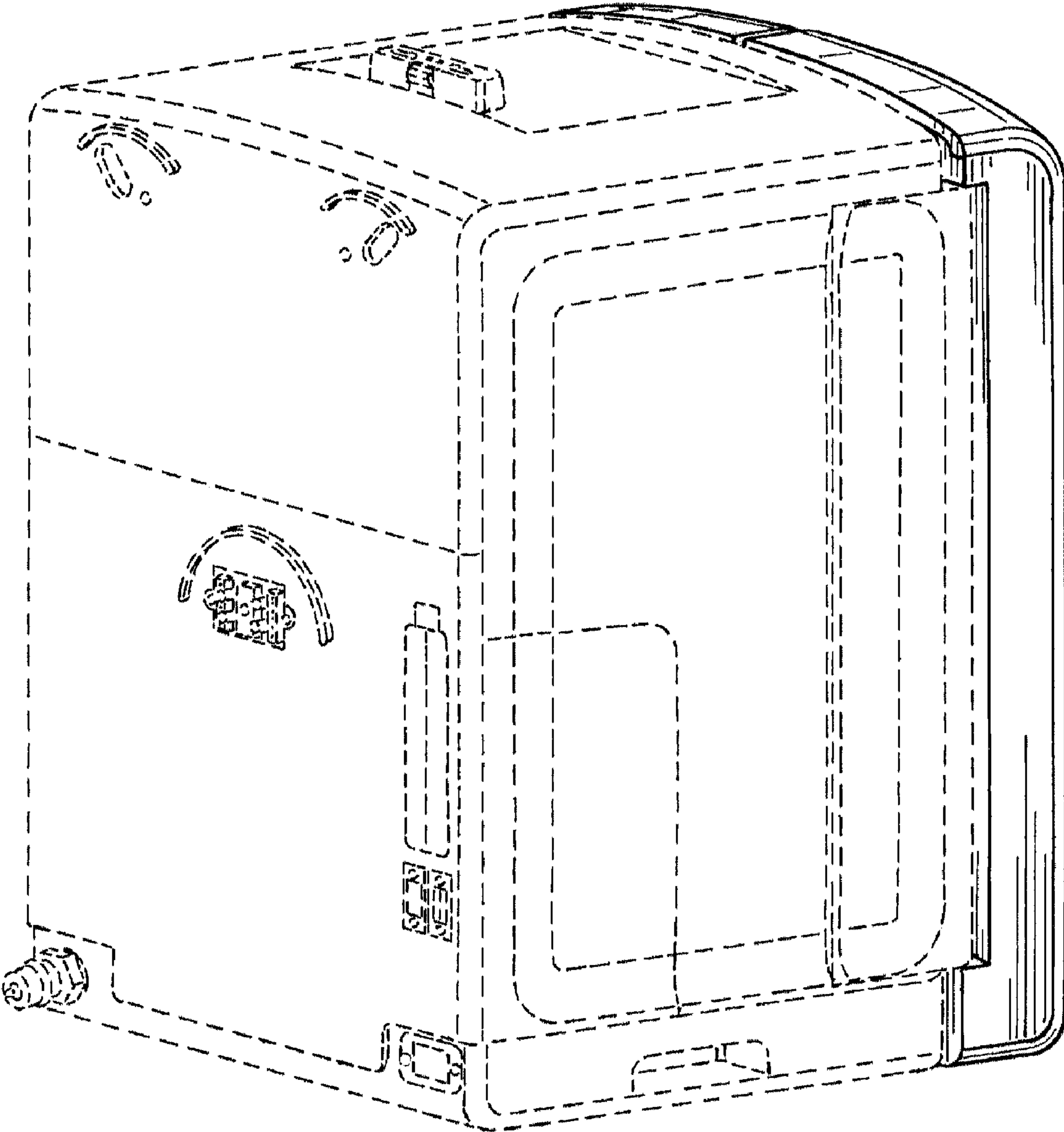
The broken lines shown are included for the purpose of illustrating portions of the portable hemodialysis system that form no part of the claimed design.

**1 Claim, 8 Drawing Sheets**

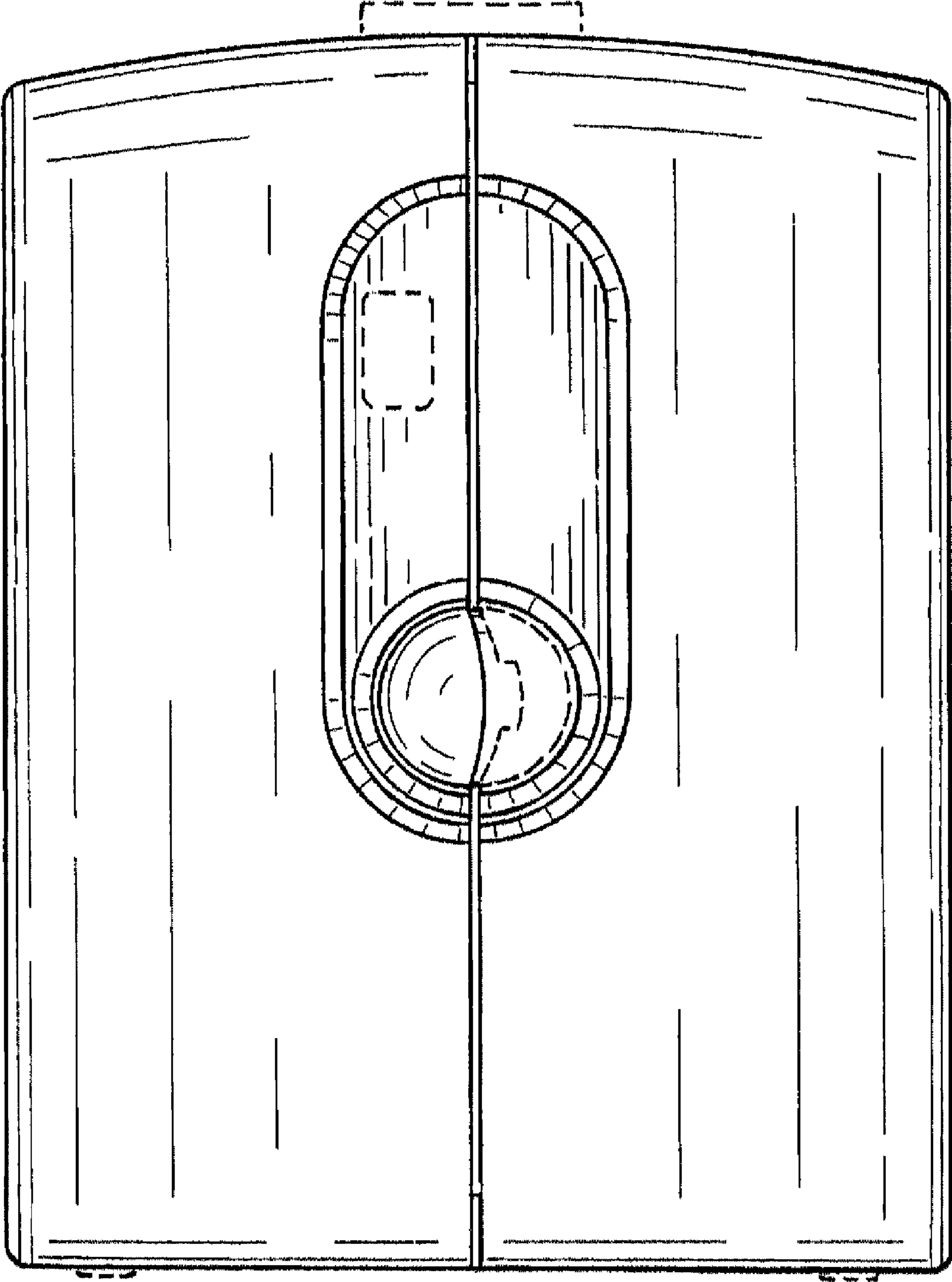




*Fig. 1*

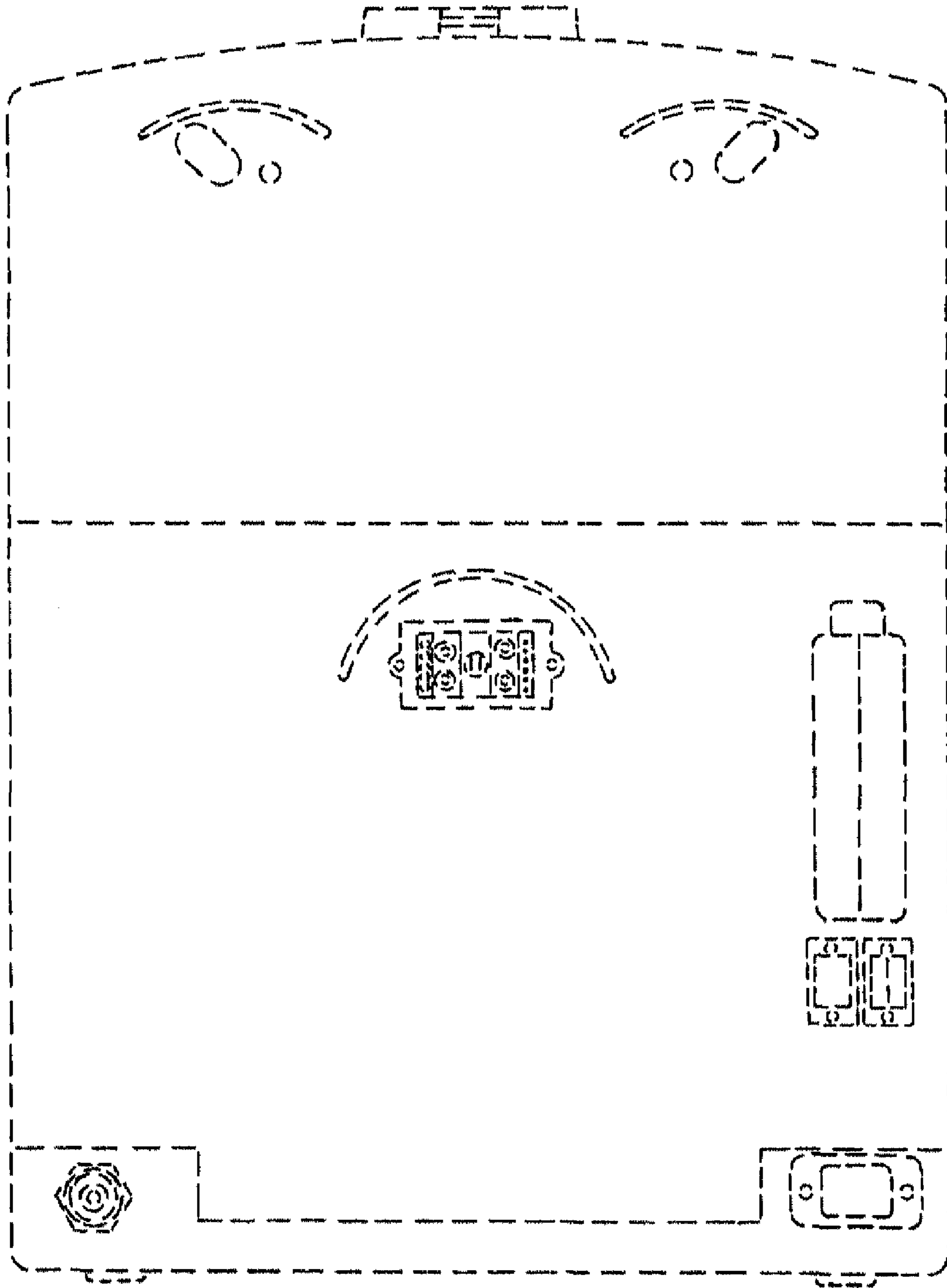


*Fig. 2*

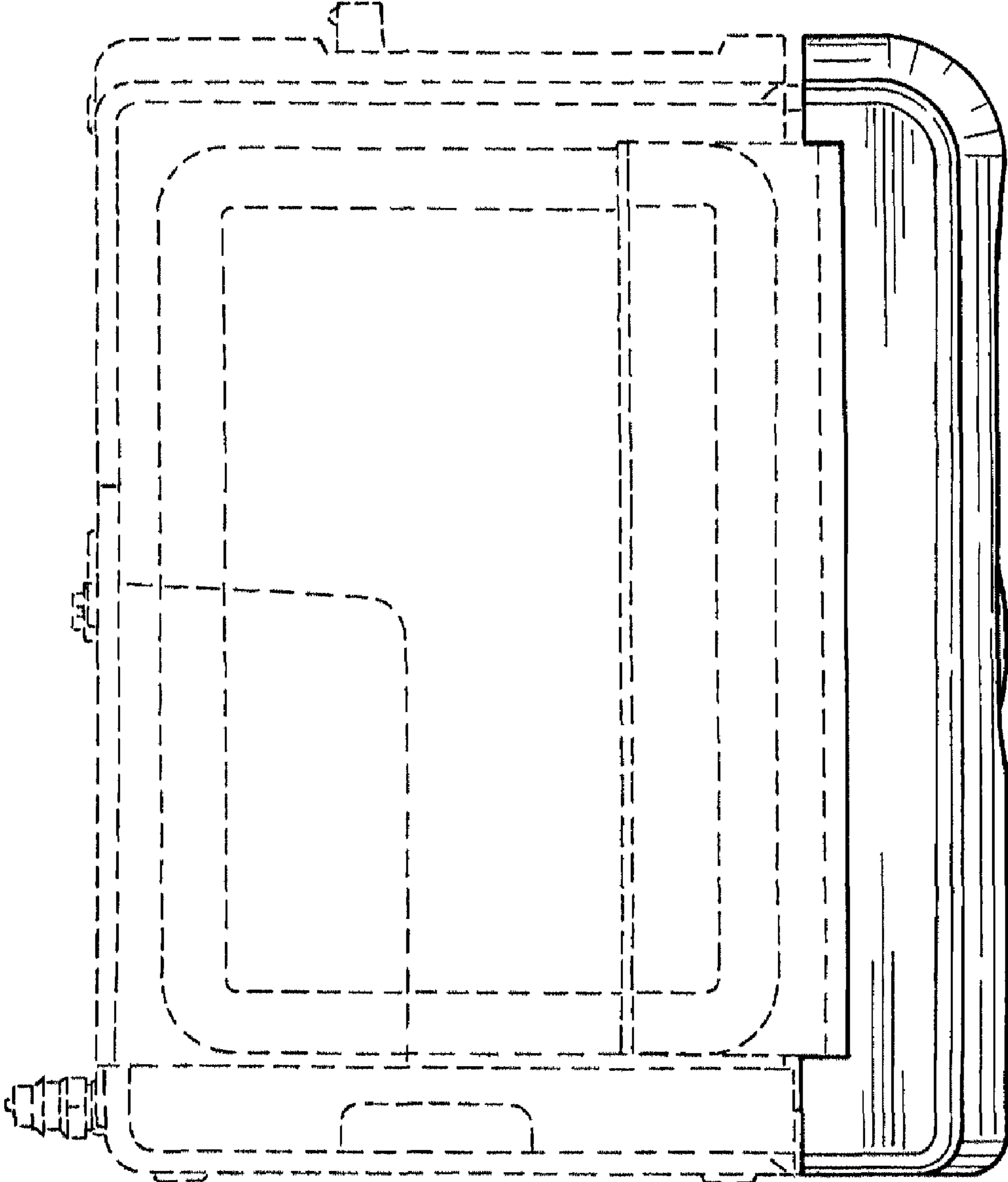


*Fig. 3*

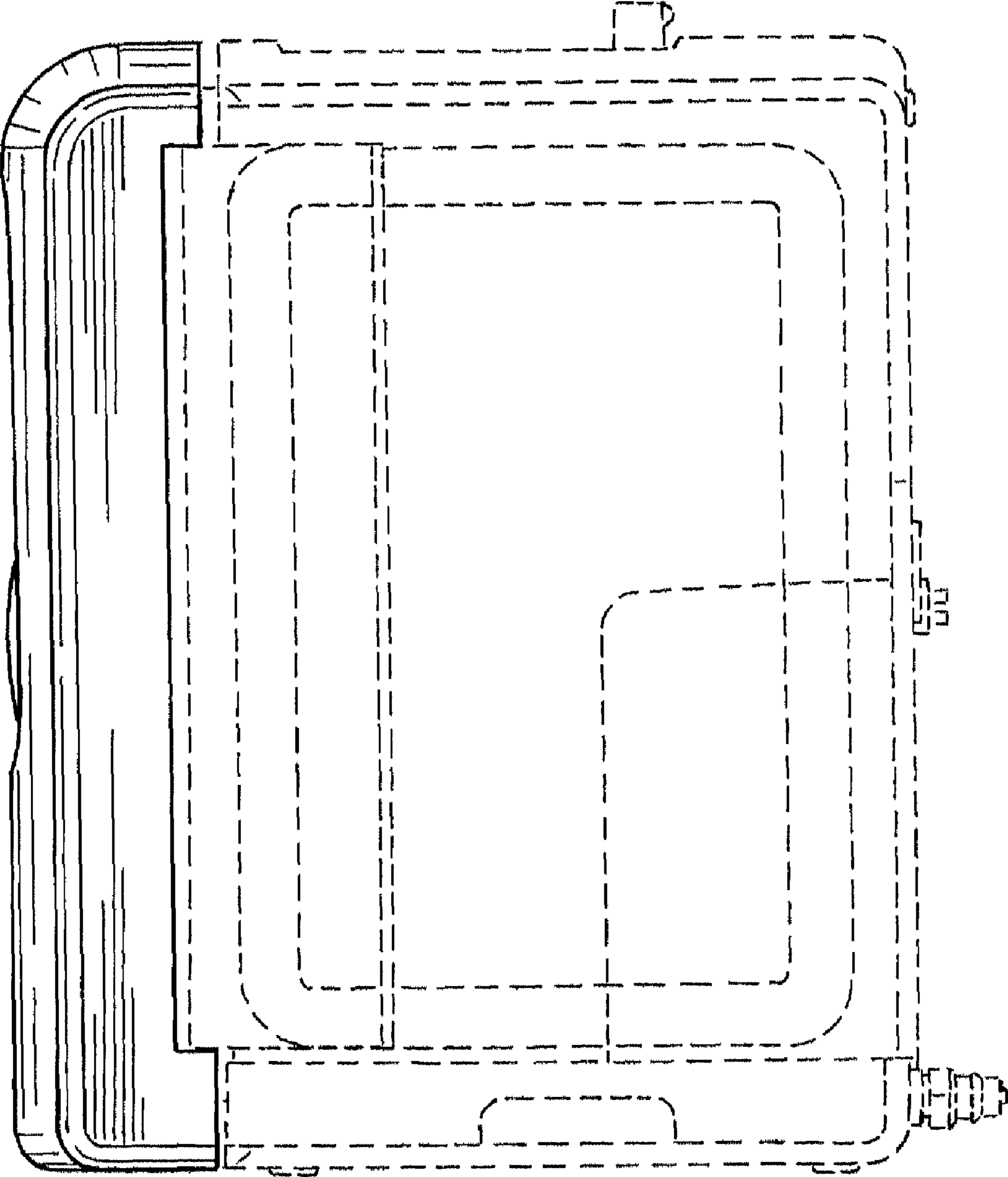




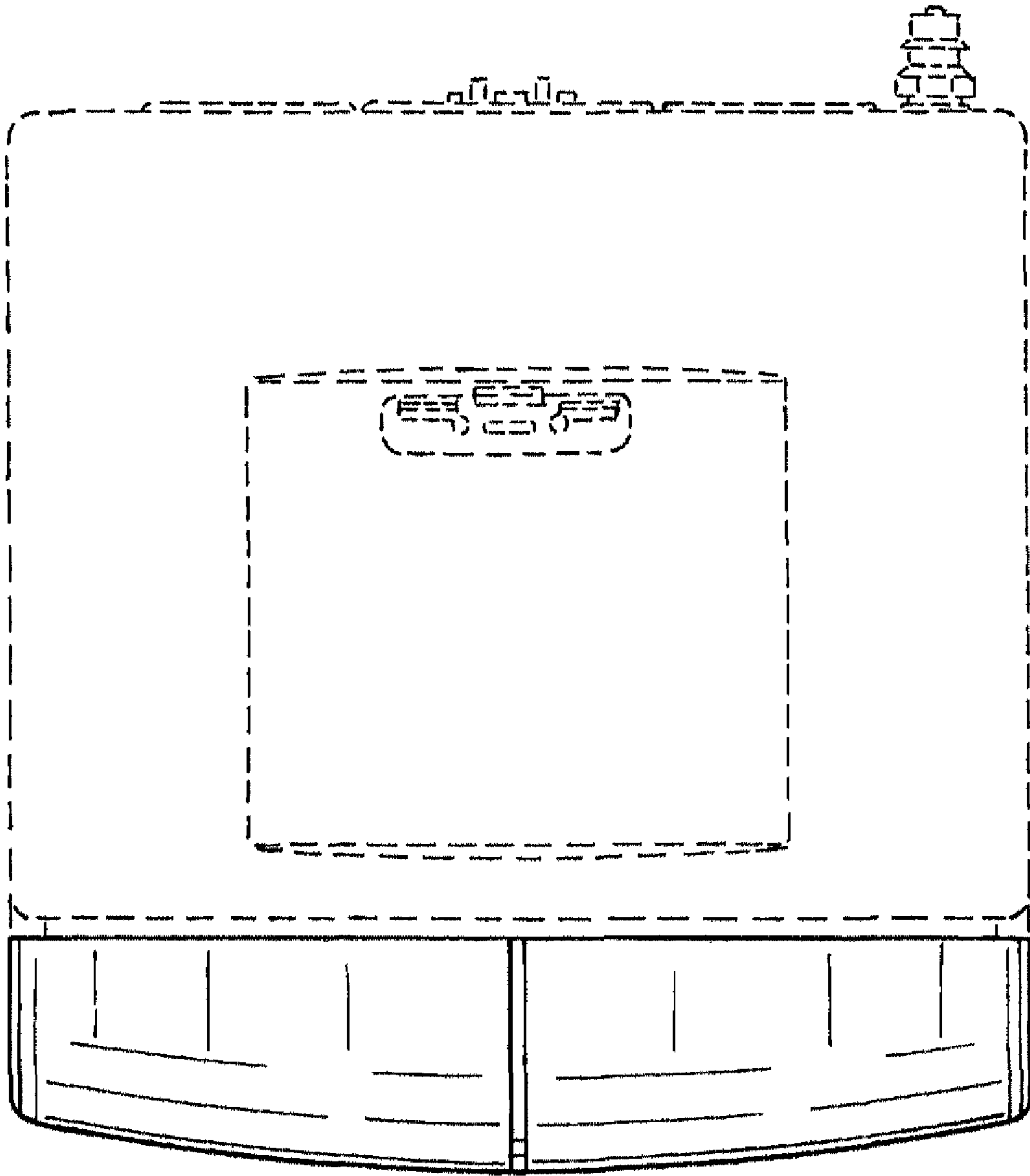
*Fig. 4*



*Fig. 5*

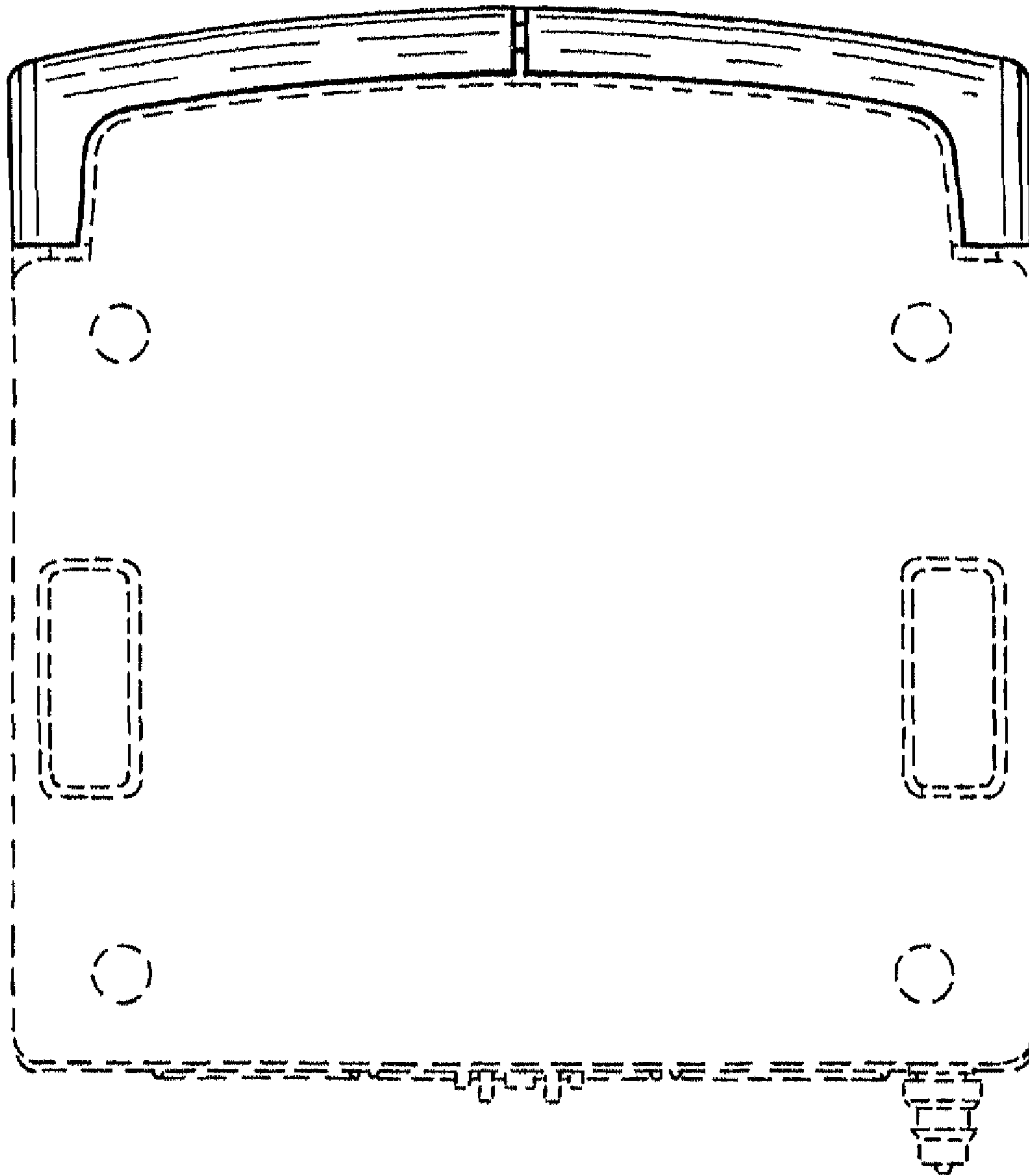


*Fig. 6*



*Fig. 7*





*Fig. 8*