



US00D675723S

(12) **United States Design Patent**
Garcia

(10) **Patent No.:** **US D675,723 S**

(45) **Date of Patent:** **** Feb. 5, 2013**

(54) **DEVICE FOR RECOVERING WASTE HEAT FROM FLUE GASES**

(76) Inventor: **Bernardino Garcia**, Chicago, IL (US)

(**) Term: **14 Years**

(21) Appl. No.: **29/386,111**

(22) Filed: **Feb. 24, 2011**

(51) **LOC (9) Cl.** **23-04**

(52) **U.S. Cl.** **D23/393**

(58) **Field of Classification Search** D13/179;
D23/370-394, 411-414; D26/51, 59, 72,
D26/81-86; 34/169; 52/302.1, 302.7; 55/DIG. 36;
123/41.7; 126/58, 60, 61, 64-66, 84, 299 D-299 F,
126/299 R, 300, 301, 312, 531; 138/118,
138/121, 172, 173, 177; 165/54, 59; 285/133.6;
392/364; 415/126, 127, 213.1, 214.1; 416/5,
416/204 R, 210 R, 234, 237, 244 R, 247 R;
454/41, 42, 233, 236, 250-253, 275-277,
454/284, 309, 367, 368

See application file for complete search history.

(56) **References Cited**

U.S. PATENT DOCUMENTS

4,050,628 A 9/1977 Konnerth, III
4,078,602 A 3/1978 Richer
4,103,735 A 8/1978 Warner
4,184,544 A 1/1980 Ullmer
4,304,096 A * 12/1981 Liu et al. 60/274

D264,501 S 5/1982 Beaton
4,363,353 A 12/1982 Pranaitis
4,364,514 A 12/1982 Toporek
4,416,254 A 11/1983 DiPietro
D319,499 S * 8/1991 Hague D23/370
D340,109 S * 10/1993 Julien D23/370
D366,522 S * 1/1996 Lagace et al. D23/370
5,944,090 A 8/1999 Teal
D414,257 S 9/1999 Estrada
D579,101 S * 10/2008 Whittenberger et al. D23/386
D663,828 S * 7/2012 Portillo D23/371
2007/0039608 A1* 2/2007 Chang 126/301

* cited by examiner

Primary Examiner — Garth Rademaker

(57) **CLAIM**

The ornamental design for a device for recovering waste heat from flue gases, as shown and described.

DESCRIPTION

FIG. 1 is a perspective view of a device for recovering waste heat from flue gases showing my new design;

FIG. 2 is a front view thereof;

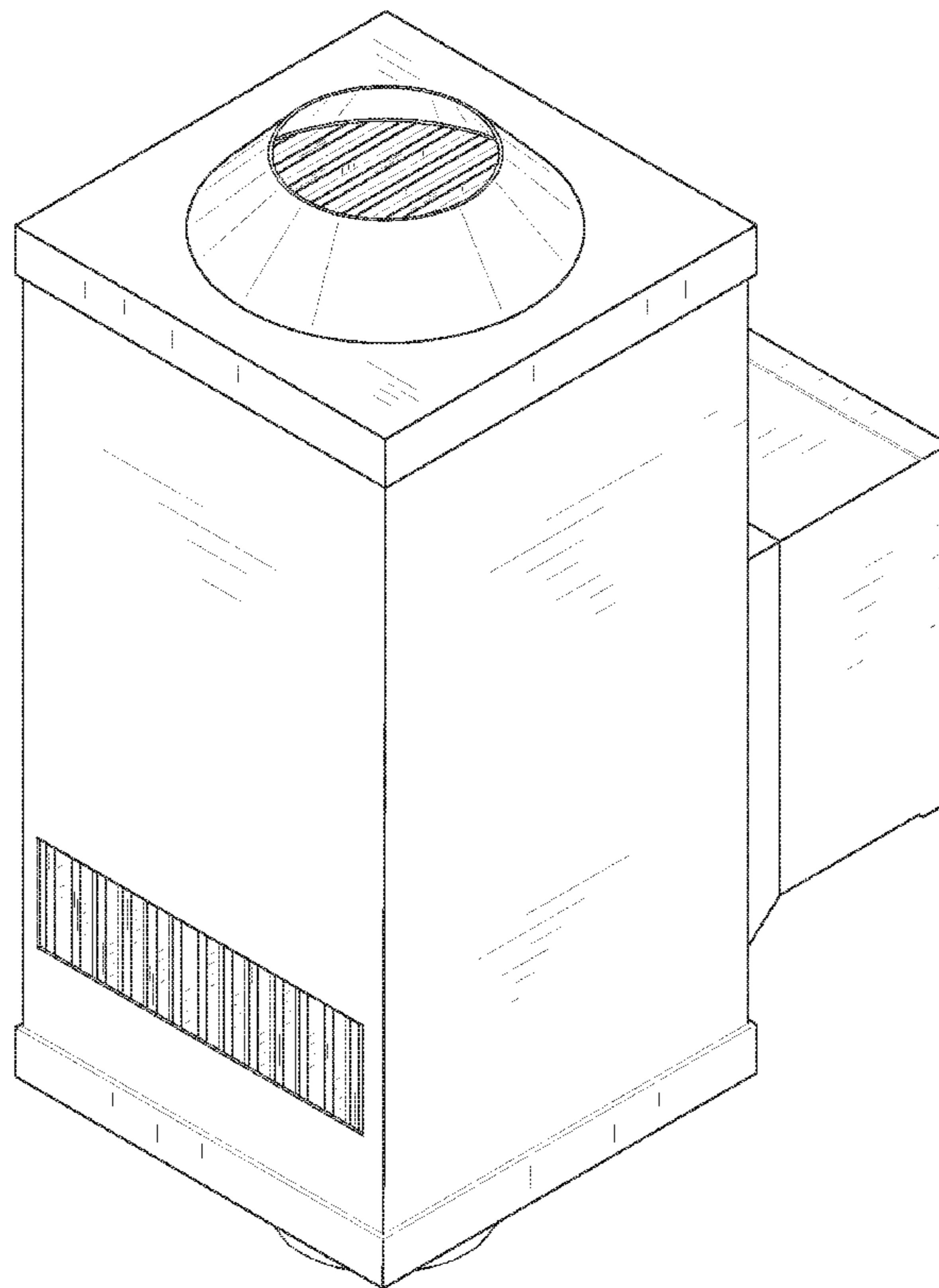
FIG. 3 is a back view thereof;

FIG. 4 is a side view thereof, with the opposite side view being a mirror image thereof; and,

FIG. 5 is a top view thereof, with the bottom view being a mirror image thereof.

The broken lines depict portions of the device for recovering waste heat from flue gases which form no part of the claimed design.

1 Claim, 5 Drawing Sheets



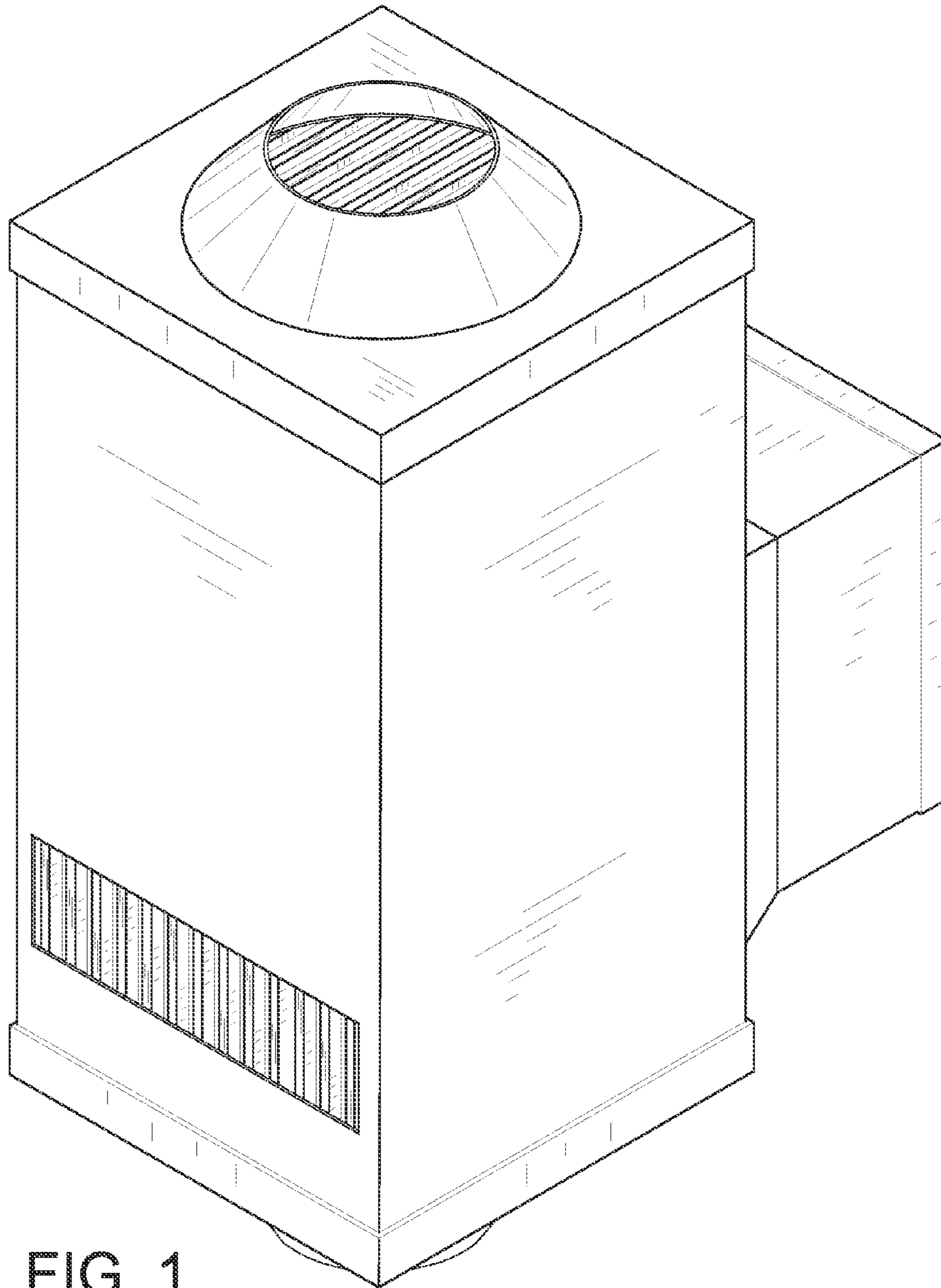


FIG. 1

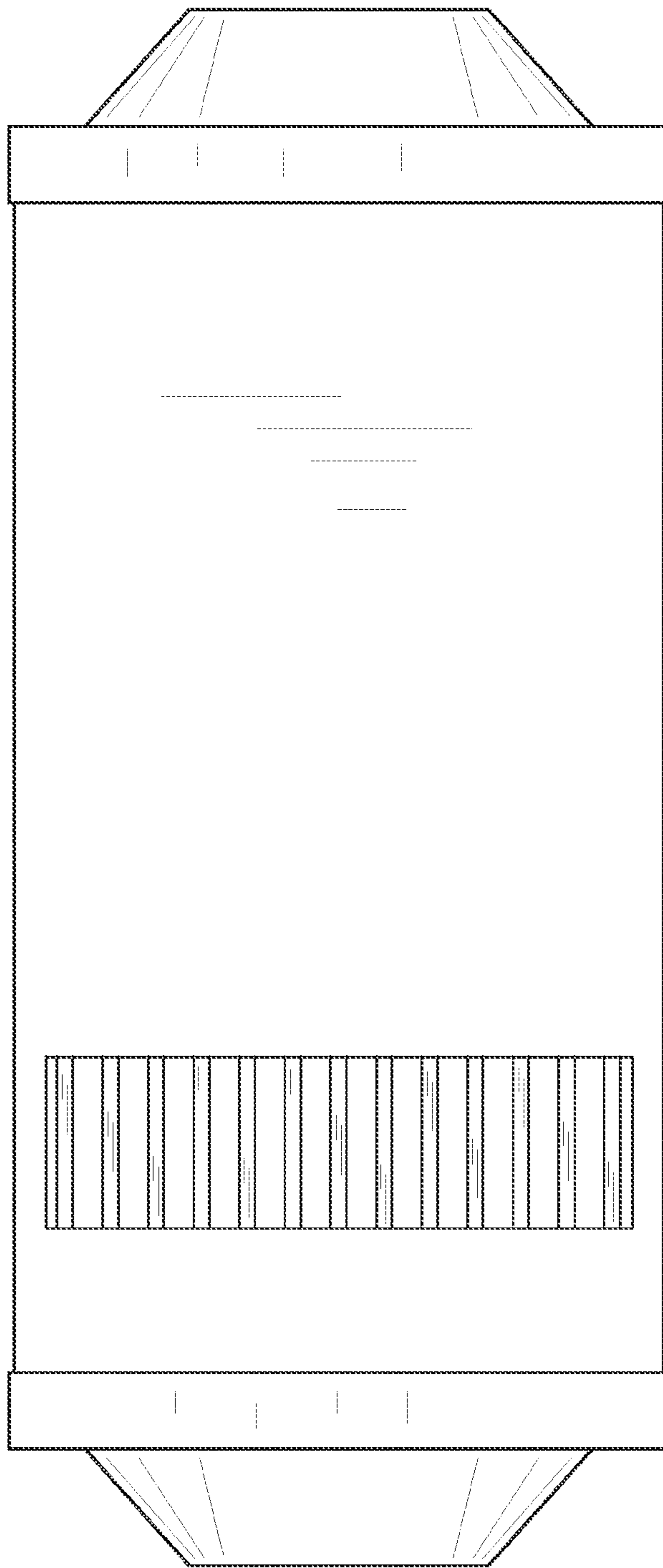


FIG. 2

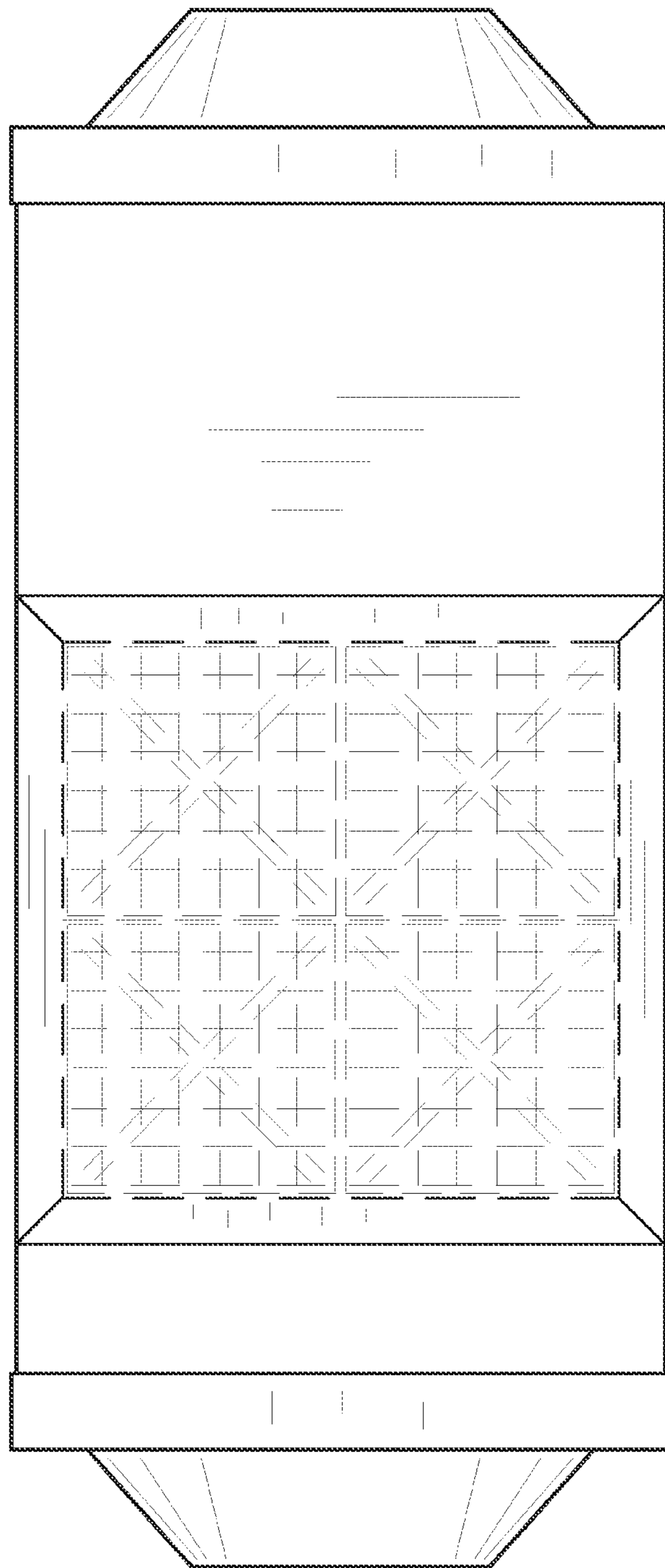


FIG. 3

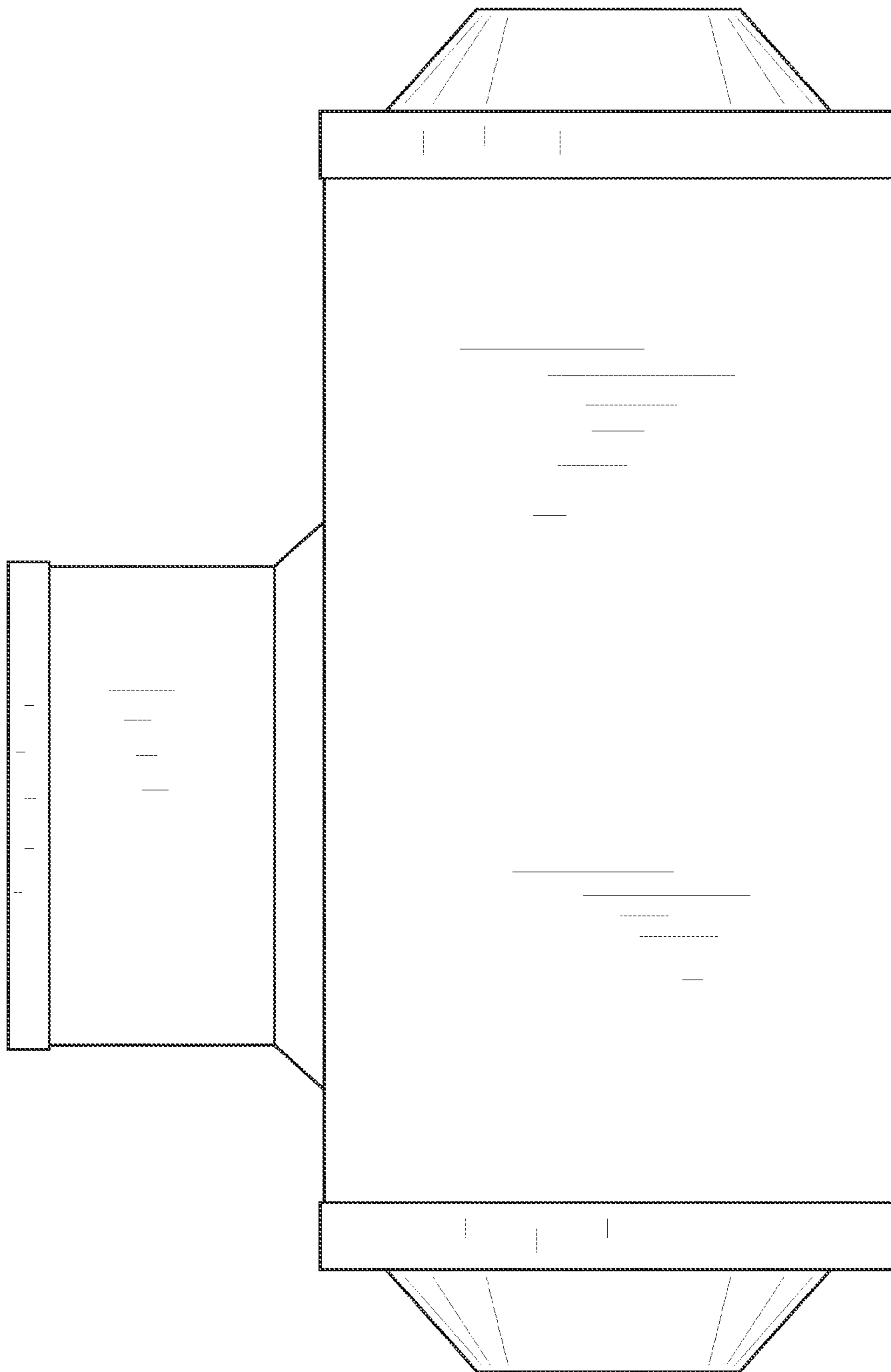


FIG. 4

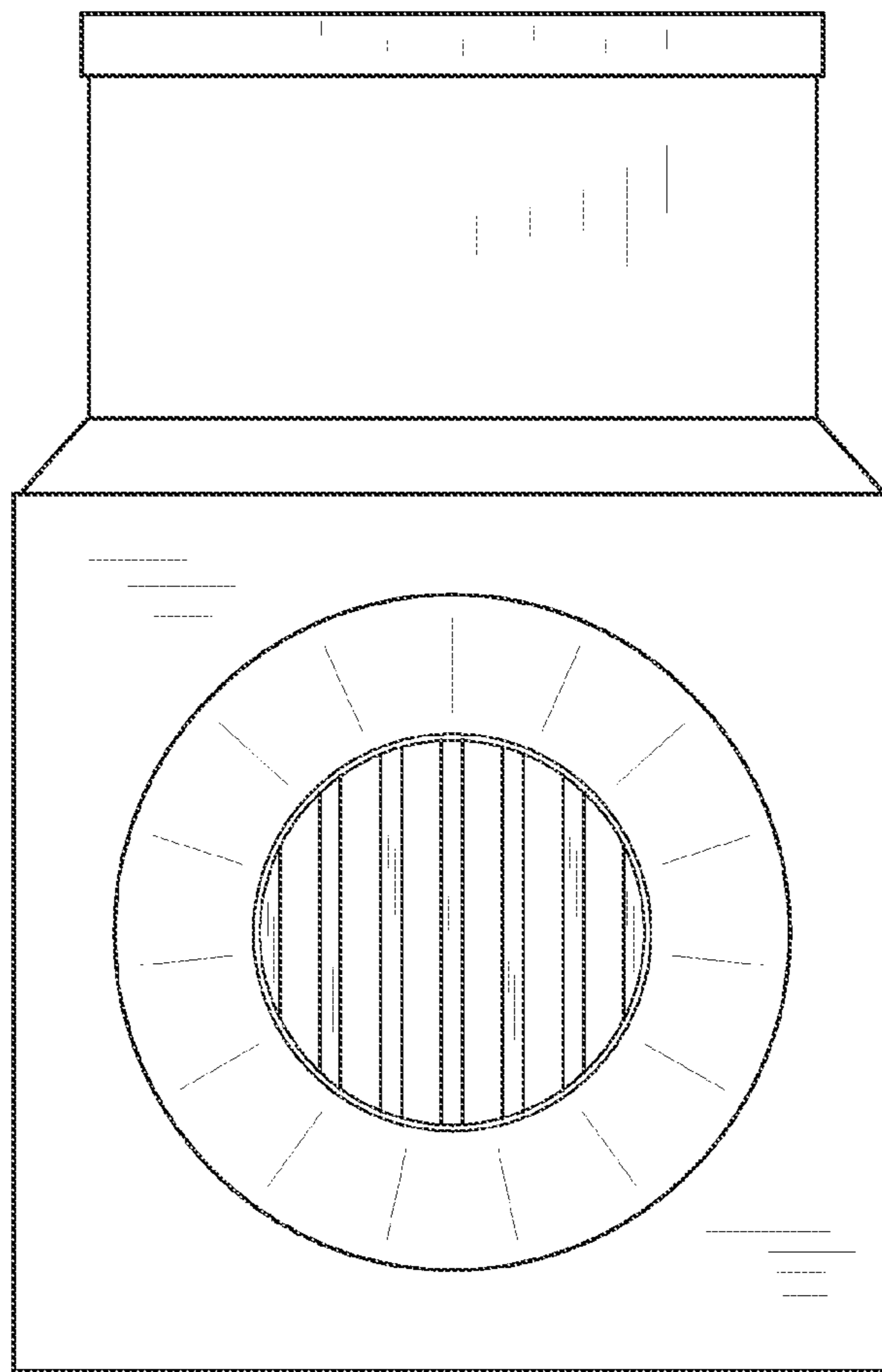


FIG. 5