

US00D675722S

(12) **United States Design Patent**
Frank

(10) **Patent No.:** **US D675,722 S**

(45) **Date of Patent:** **** Feb. 5, 2013**

(54) **BELLOWS**

(75) Inventor: **Howard Frank**, Tomball, TX (US)

(73) Assignee: **Blacoh Fluid Controls, Inc.**, Riverside, CA (US)

(**) Term: **14 Years**

(21) Appl. No.: **29/383,205**

(22) Filed: **Jan. 13, 2011**

(51) **LOC (9) Cl.** **23-04**

(52) **U.S. Cl.** **D23/384**

(58) **Field of Classification Search** D13/179;
D23/370-394, 411-414; D26/51, 59, 72,
D26/81-86; 34/169; 52/302.1, 302.7; 55/DIG. 36;
123/41.7; 126/58, 60, 61, 64-66, 84, 299 D-299 F,
126/299 R, 300, 301, 312, 531; 138/118,
138/121, 172, 173, 177; 165/54, 59; 285/133.6;
392/364; 415/126, 127, 213.1, 214.1; 416/5,
416/204 R, 210 R, 234, 237, 244 R, 247 R;
454/41, 42, 233, 236, 250-253, 275-277,
454/284, 309, 367, 368

See application file for complete search history.

(56) **References Cited**

U.S. PATENT DOCUMENTS

461,997 A * 10/1891 Choen 138/121
1,648,046 A * 11/1927 Fulton 138/121

D160,948 S * 11/1950 Kisling D23/377
D162,663 S * 3/1951 Kisling D23/377
D163,483 S * 5/1951 Reichelderfer et al. D23/385
D199,376 S * 10/1964 Uttermohlen D23/384
D199,937 S * 12/1964 Palmer et al. D23/384
3,162,371 A * 12/1964 Palmer et al. D23/384
D310,262 S * 8/1990 Lemire D23/377
5,015,002 A * 5/1991 Goodman et al. D23/384
D447,792 S * 9/2001 Renaud D23/266
D460,536 S * 7/2002 Renaud D23/266
D484,953 S * 1/2004 Renaud D23/266

* cited by examiner

Primary Examiner — Garth Rademaker

(74) *Attorney, Agent, or Firm* — Knobbe Martens Olson & Bear, LLP

(57) **CLAIM**

The ornamental design for a bellows, as shown and described.

DESCRIPTION

FIG. 1 is a front, top perspective view of a bellows, showing the new design;

FIG. 2 is a front, bottom perspective view thereof;

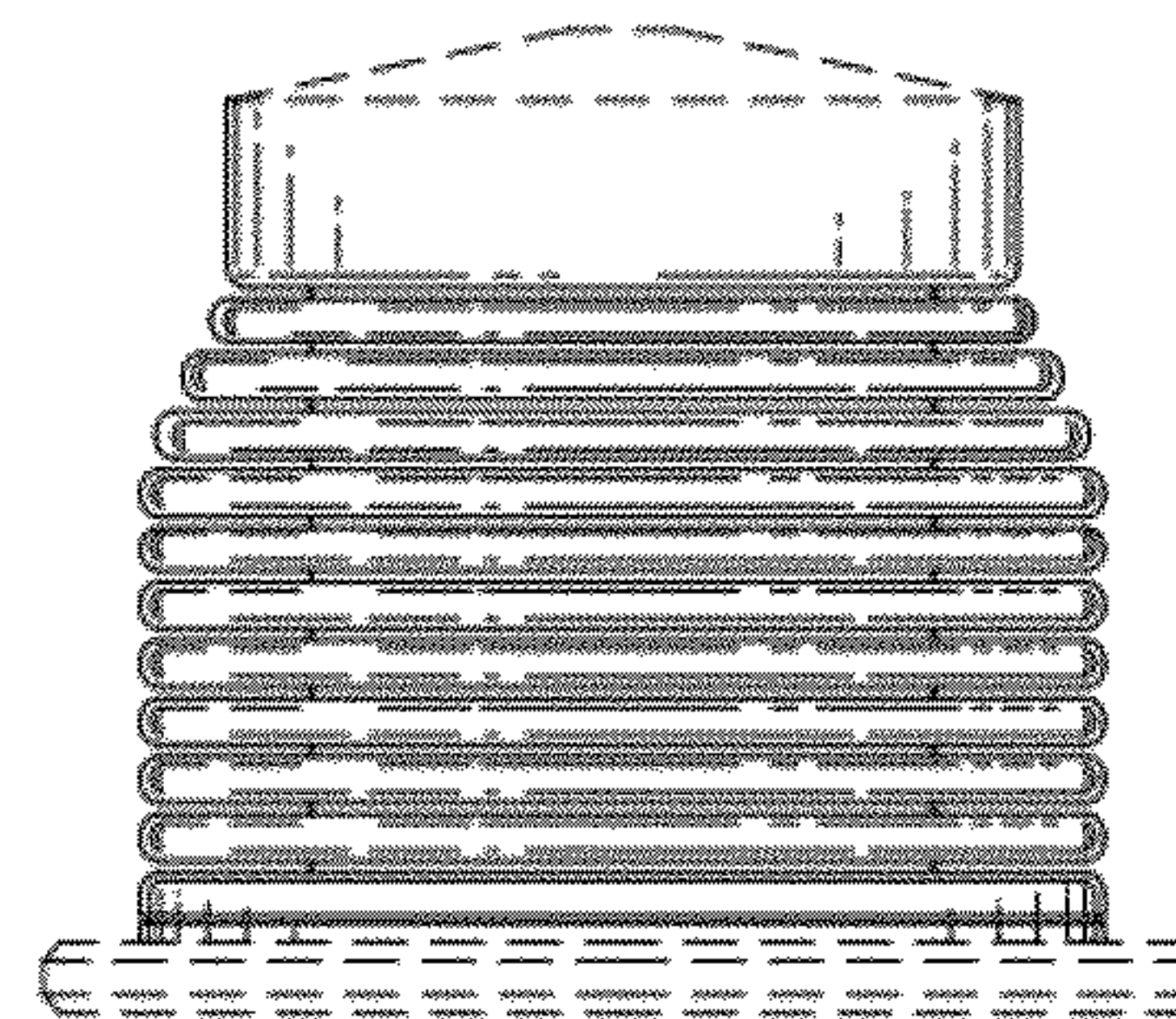
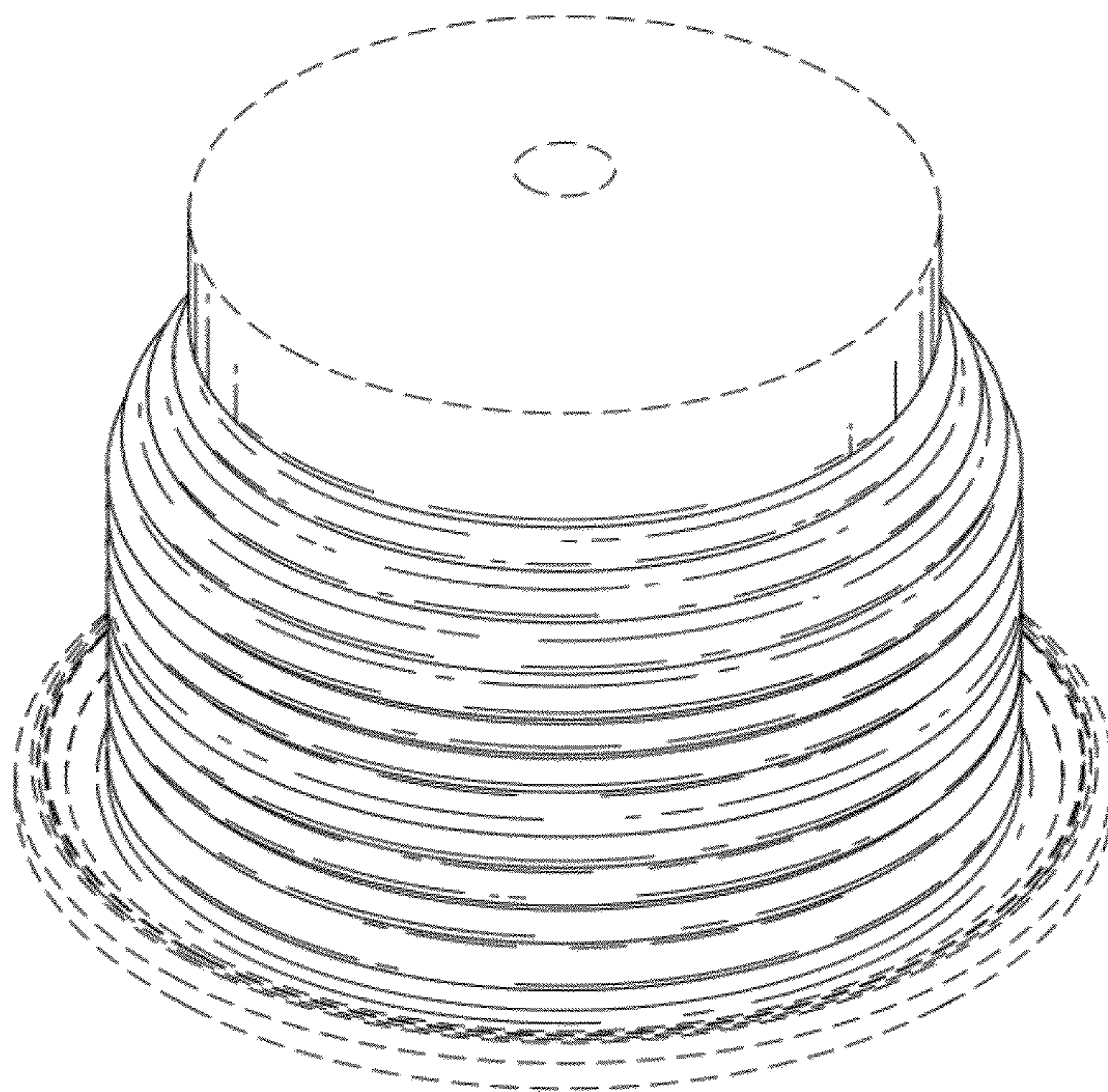
FIG. 3 is a top view thereof;

FIG. 4 is a front view thereof, the rear view being a mirror image thereof; and,

FIG. 5 is a bottom view thereof.

The broken lines depict environmental subject matter only and form no part of the claimed design.

1 Claim, 3 Drawing Sheets



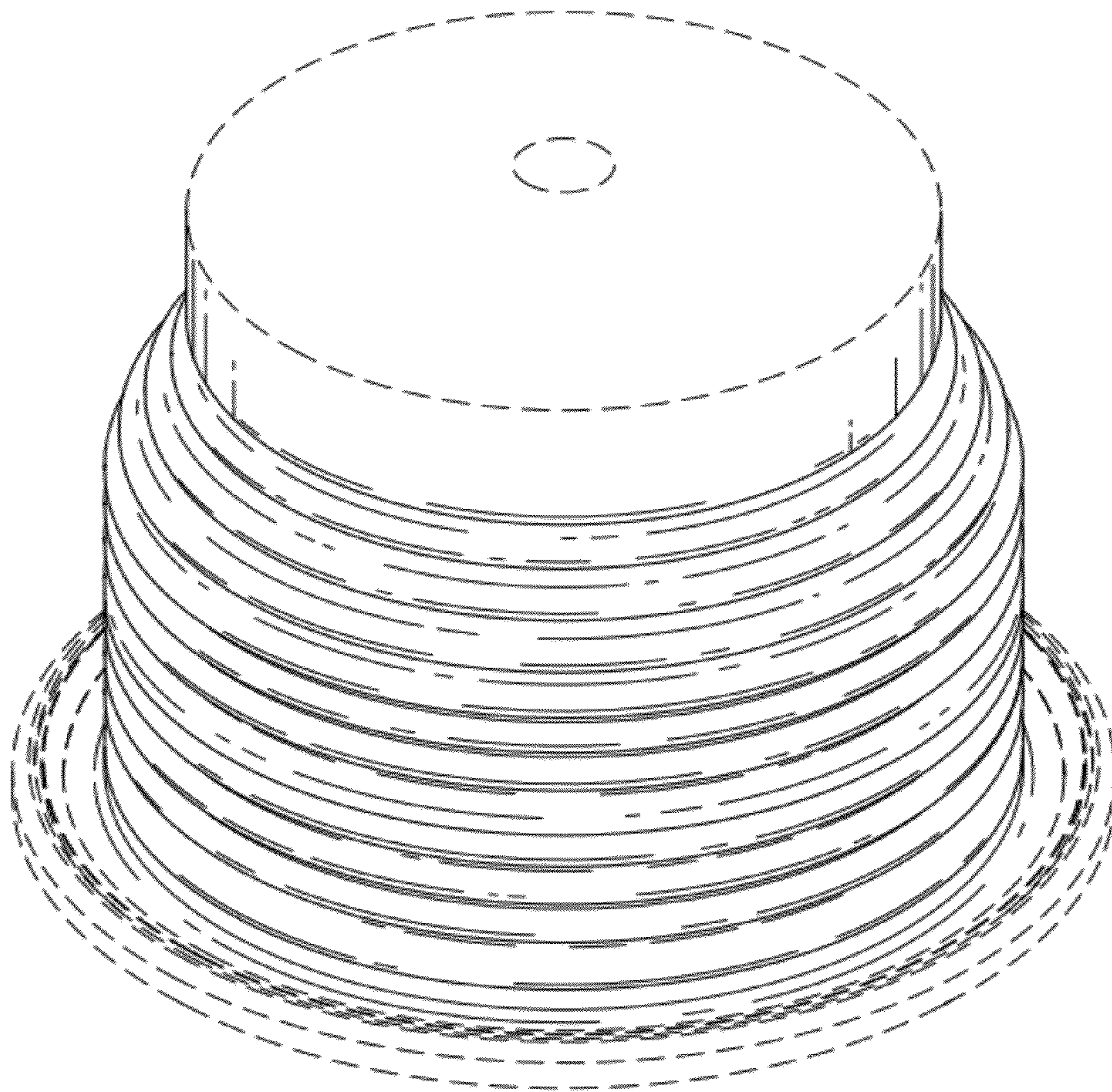


FIG. 1

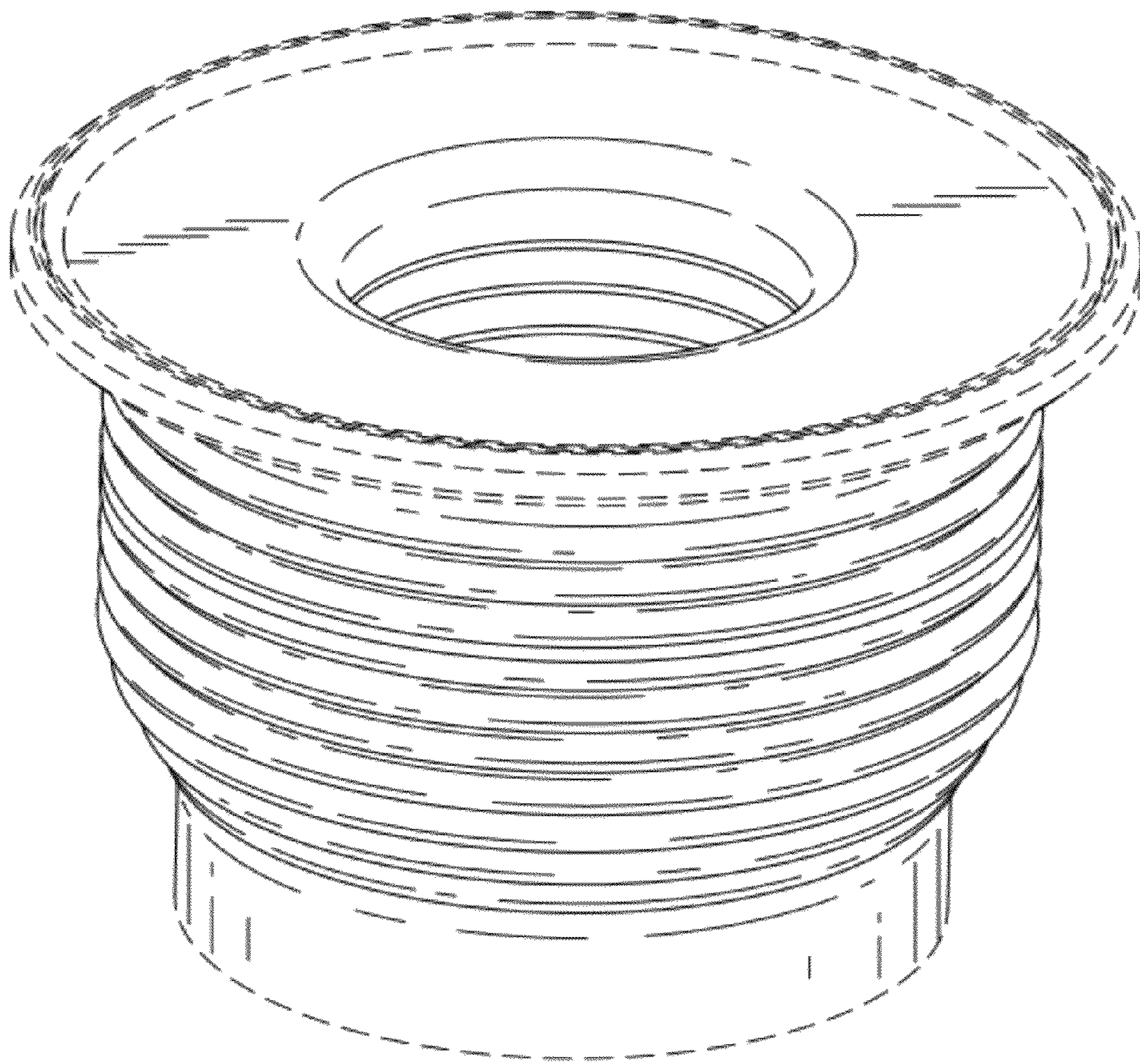


FIG. 2

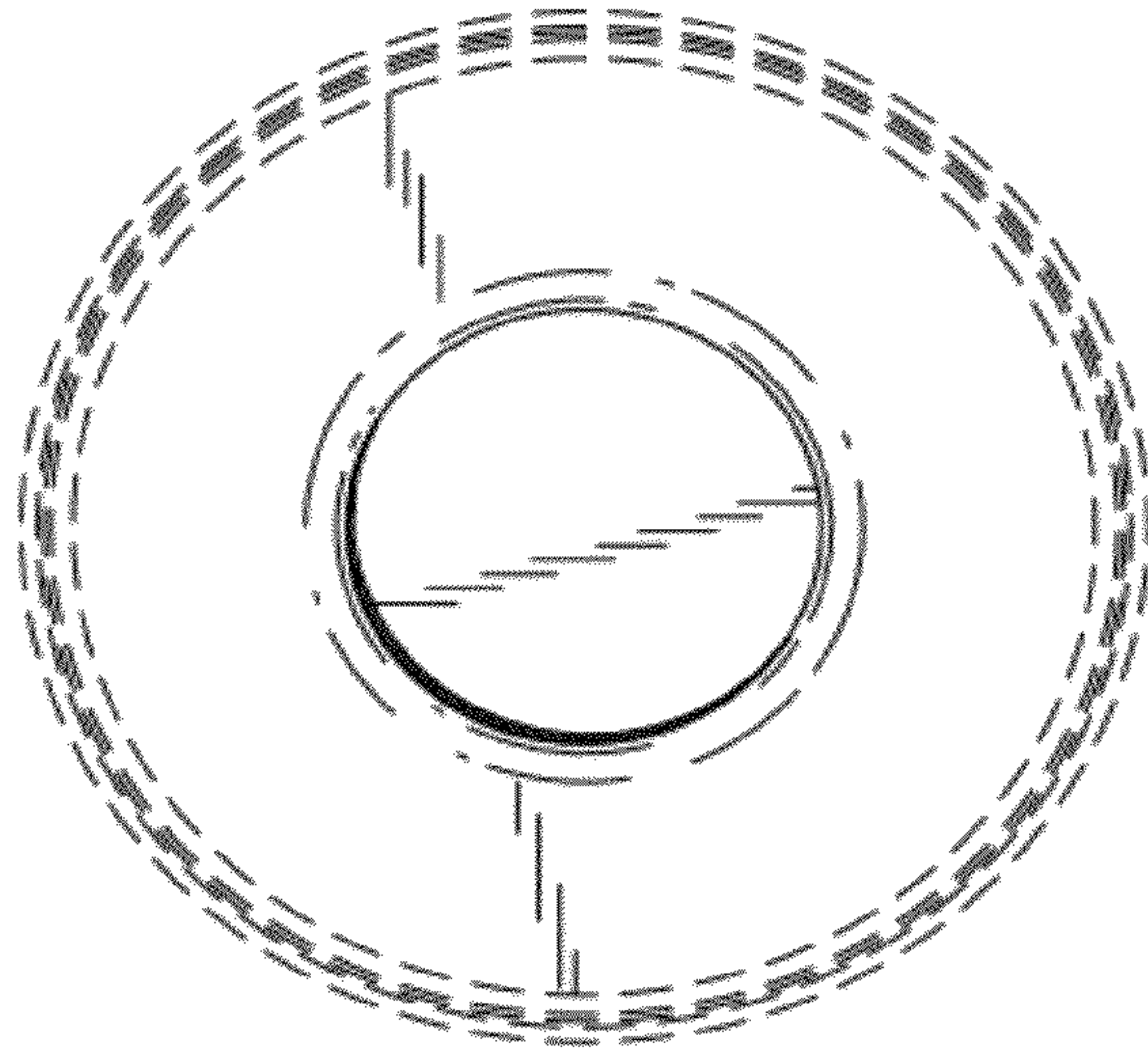


FIG. 5

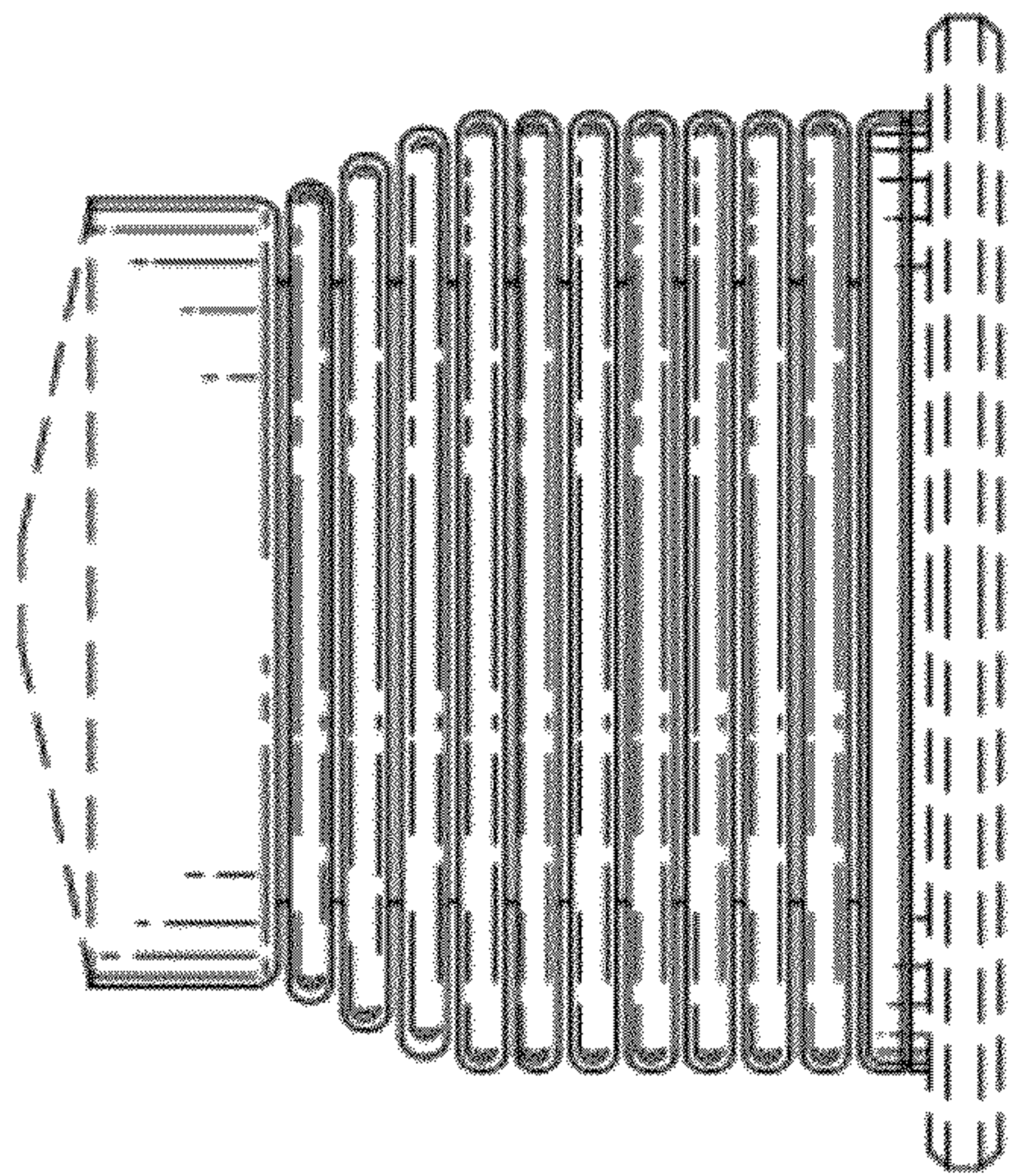


FIG. 4

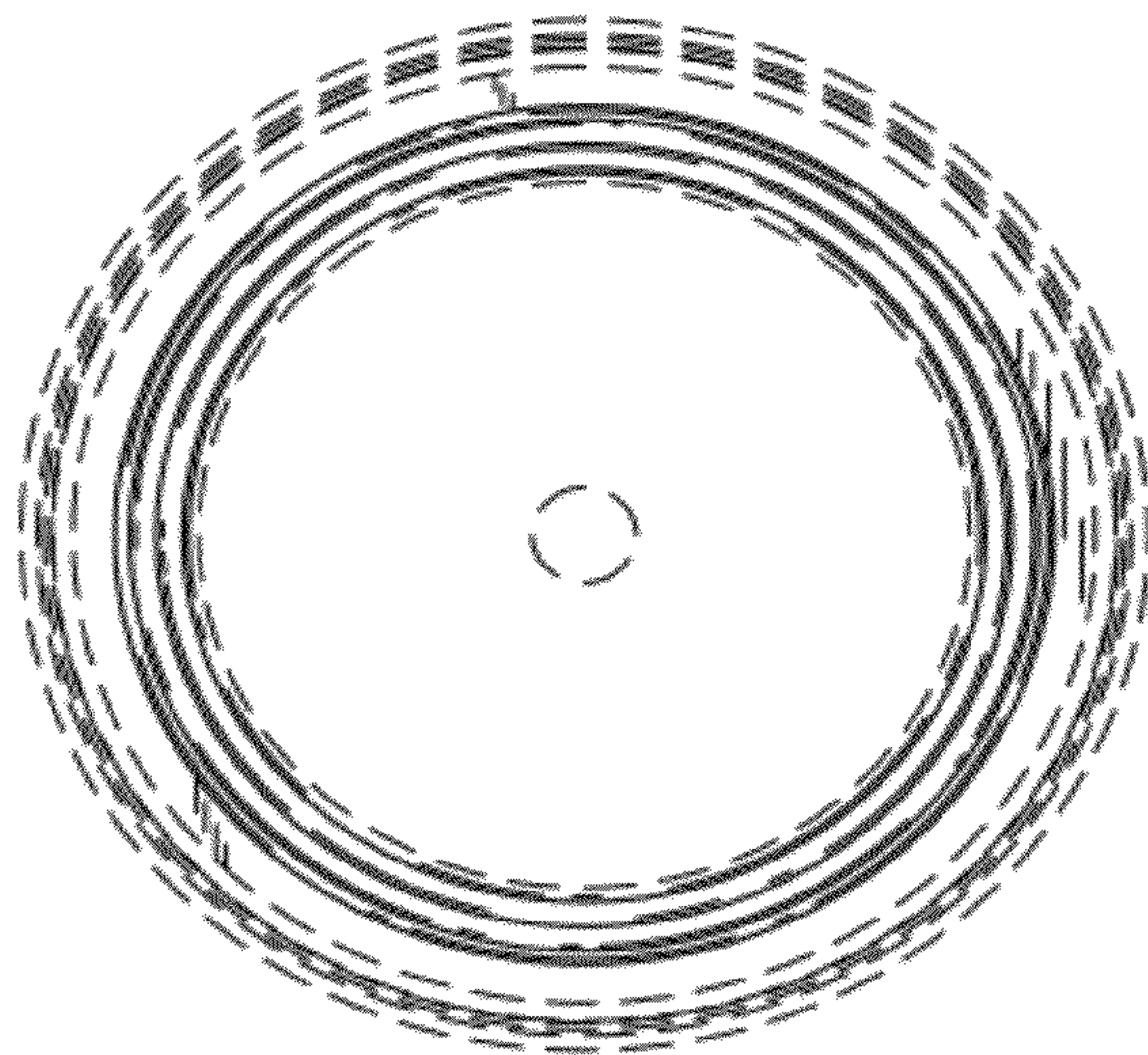


FIG. 3