



US00D675721S

(12) **United States Design Patent**  
**Frank**

(10) **Patent No.:** **US D675,721 S**

(45) **Date of Patent:** **\*\* Feb. 5, 2013**

(54) **BELLOWS**

(75) Inventor: **Howard Frank**, Tomball, TX (US)

(73) Assignee: **Blacoh Fluid Controls, Inc.**, Riverside, CA (US)

(\*\*) Term: **14 Years**

(21) Appl. No.: **29/383,201**

(22) Filed: **Jan. 13, 2011**

(51) **LOC (9) Cl.** ..... **23-04**

(52) **U.S. Cl.** ..... **D23/384**

(58) **Field of Classification Search** ..... D13/179;  
D23/370-394, 411-414; D26/51, 59, 72,  
D26/81-86; 34/169; 52/302.1, 302.7; 55/DIG. 36;  
123/41.7; 126/58, 60, 61, 64-66, 84, 299 D-299 F,  
126/299 R, 300, 301, 312, 531; 138/118,  
138/121, 172, 173, 177; 165/54, 59; 285/133.6;  
392/364; 415/126, 127, 213.1, 214.1; 416/5,  
416/204 R, 210 R, 234, 237, 244 R, 247 R;  
454/41, 42, 233, 236, 250-253, 275-277,  
454/284, 309, 367, 368

See application file for complete search history.

(56) **References Cited**

**U.S. PATENT DOCUMENTS**

461,997 A \* 10/1891 Choen ..... 138/121  
1,648,046 A \* 11/1927 Fulton ..... 138/121

D160,948 S \* 11/1950 Kisling ..... D23/377  
D162,663 S \* 3/1951 Kisling ..... D23/377  
D163,483 S \* 5/1951 Reichelderfer et al. .... D23/385  
D199,376 S \* 10/1964 Uttermohlen ..... D23/384  
D199,937 S \* 12/1964 Palmer et al. .... D23/384  
3,162,371 A \* 12/1964 Palmer et al. .... D23/384  
D310,262 S \* 8/1990 Lemire ..... D23/377  
5,015,002 A \* 5/1991 Goodman et al. .... D23/384  
D447,792 S \* 9/2001 Renaud ..... D23/266  
D460,536 S \* 7/2002 Renaud ..... D23/266  
D484,953 S \* 1/2004 Renaud ..... D23/266

\* cited by examiner

*Primary Examiner* — Garth Rademaker

(74) *Attorney, Agent, or Firm* — Knobbe Martens Olson & Bear, LLP

(57) **CLAIM**

The ornamental design for a bellows, as shown and described.

**DESCRIPTION**

FIG. 1 is a front, top perspective view of a bellows, showing the new design;

FIG. 2 is a front, bottom perspective view thereof;

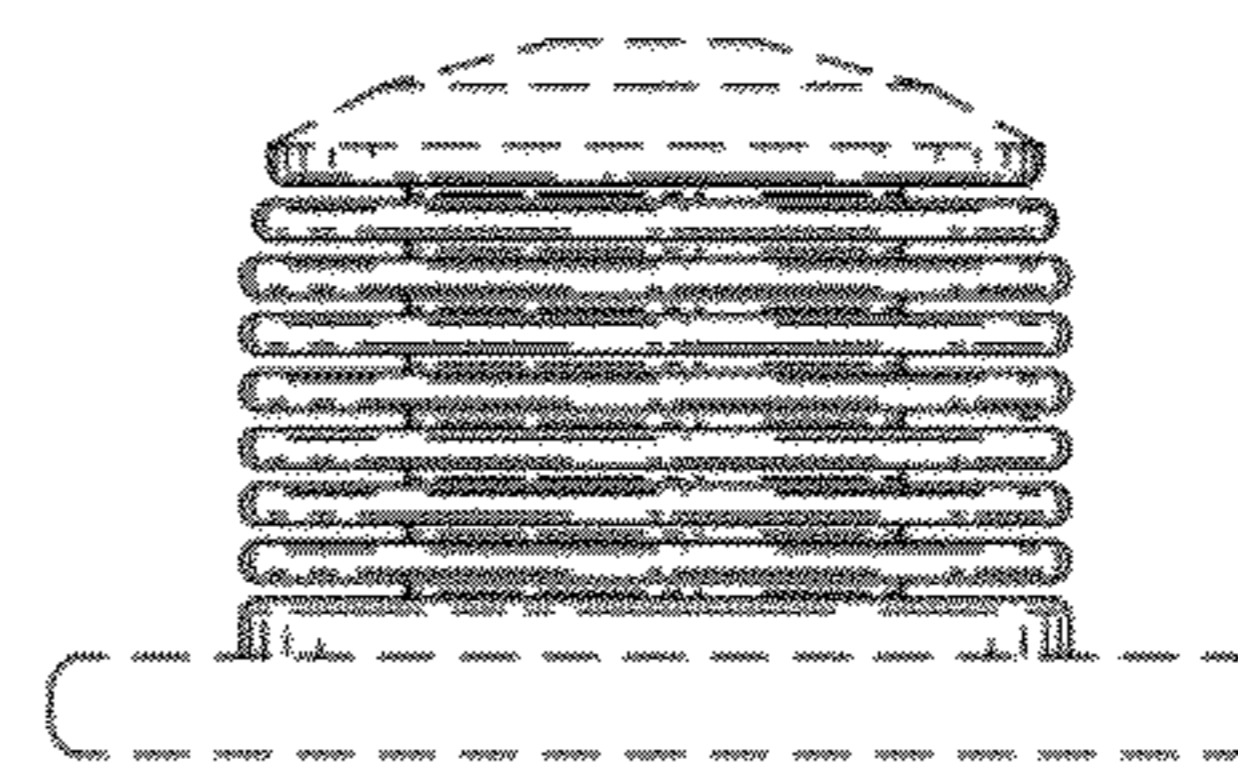
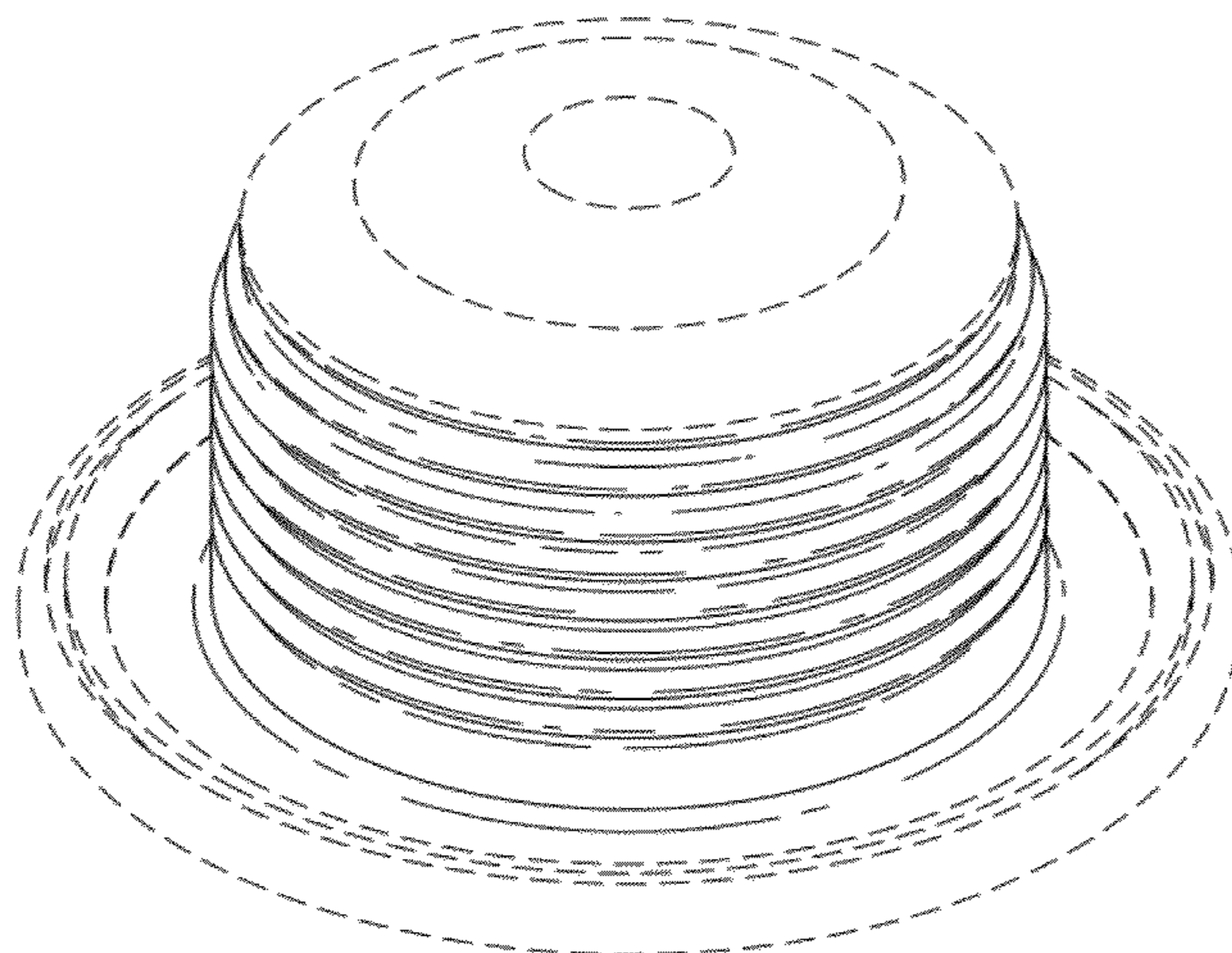
FIG. 3 is a top view thereof;

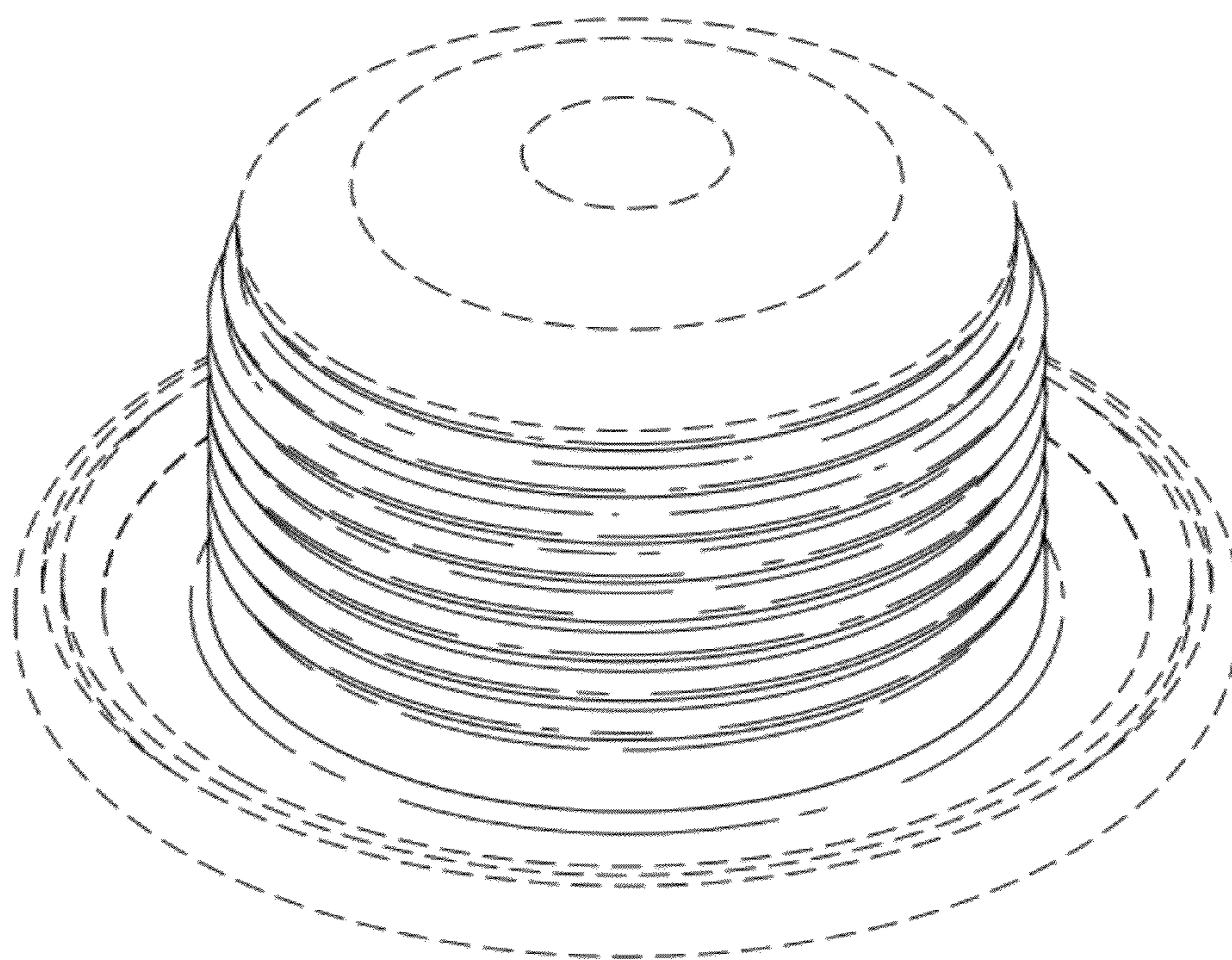
FIG. 4 is a front view thereof, the rear view being a mirror image thereof; and,

FIG. 5 is a bottom view thereof.

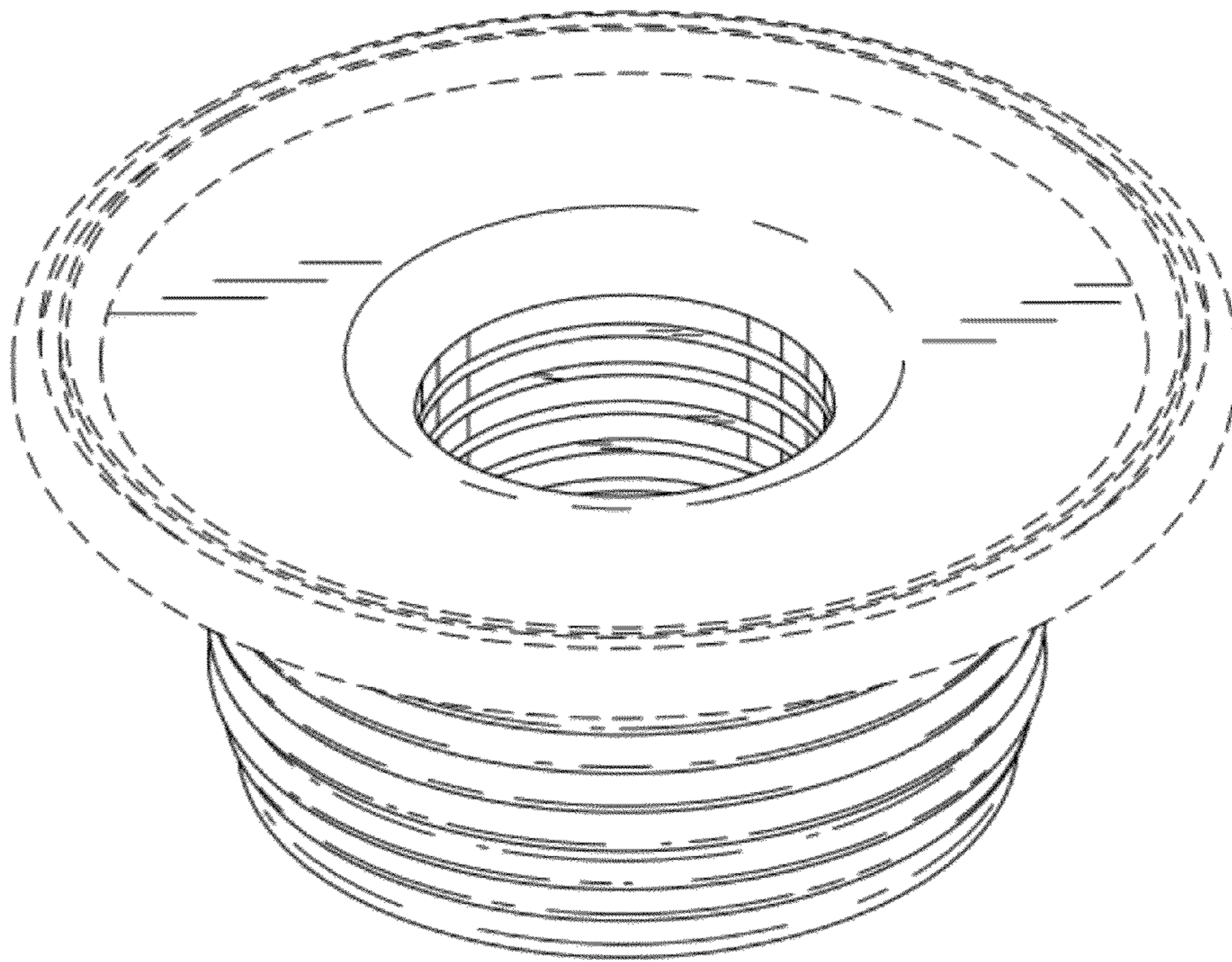
The broken lines depict environmental subject matter only and form no part of the claimed design.

**1 Claim, 3 Drawing Sheets**

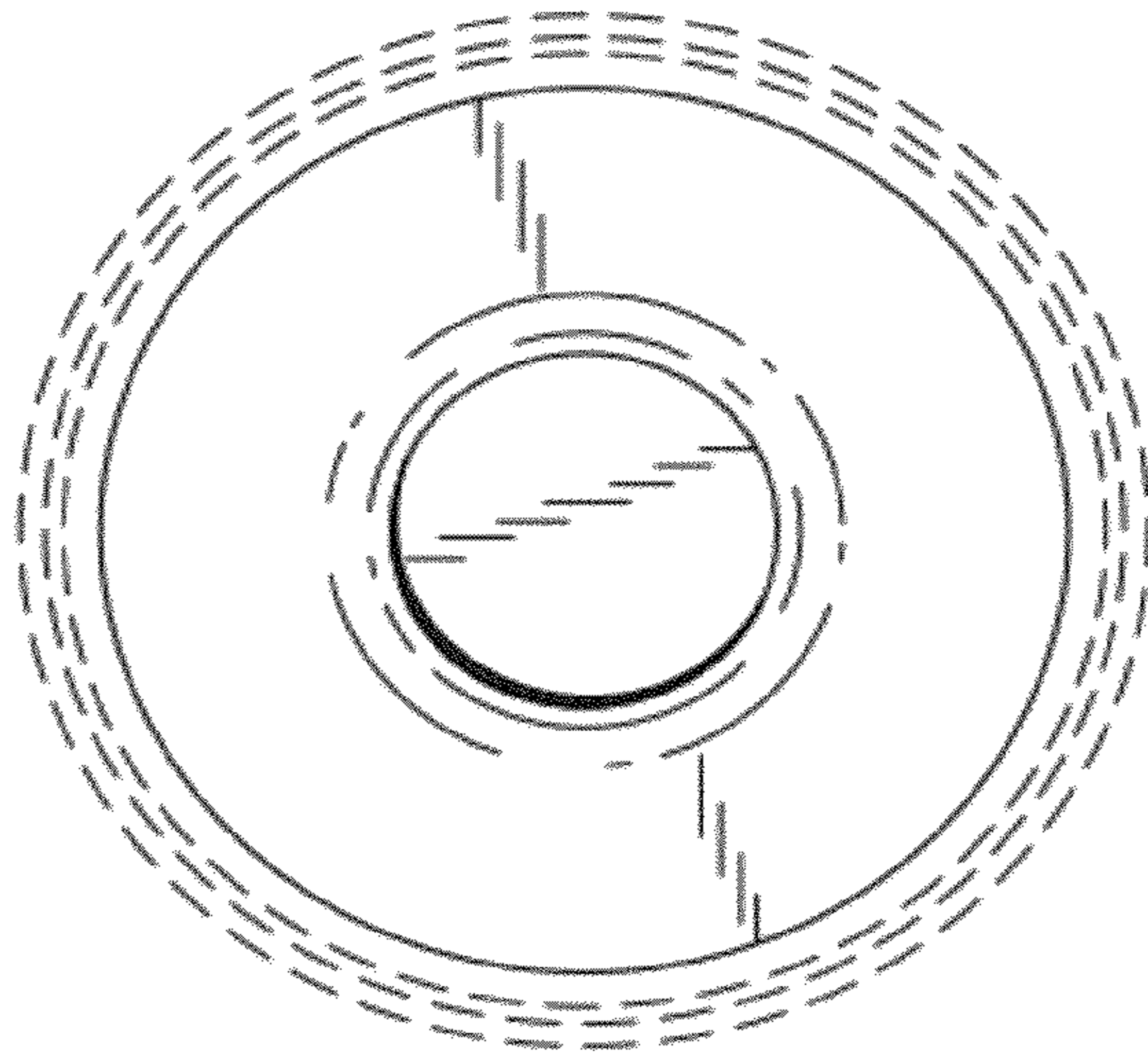




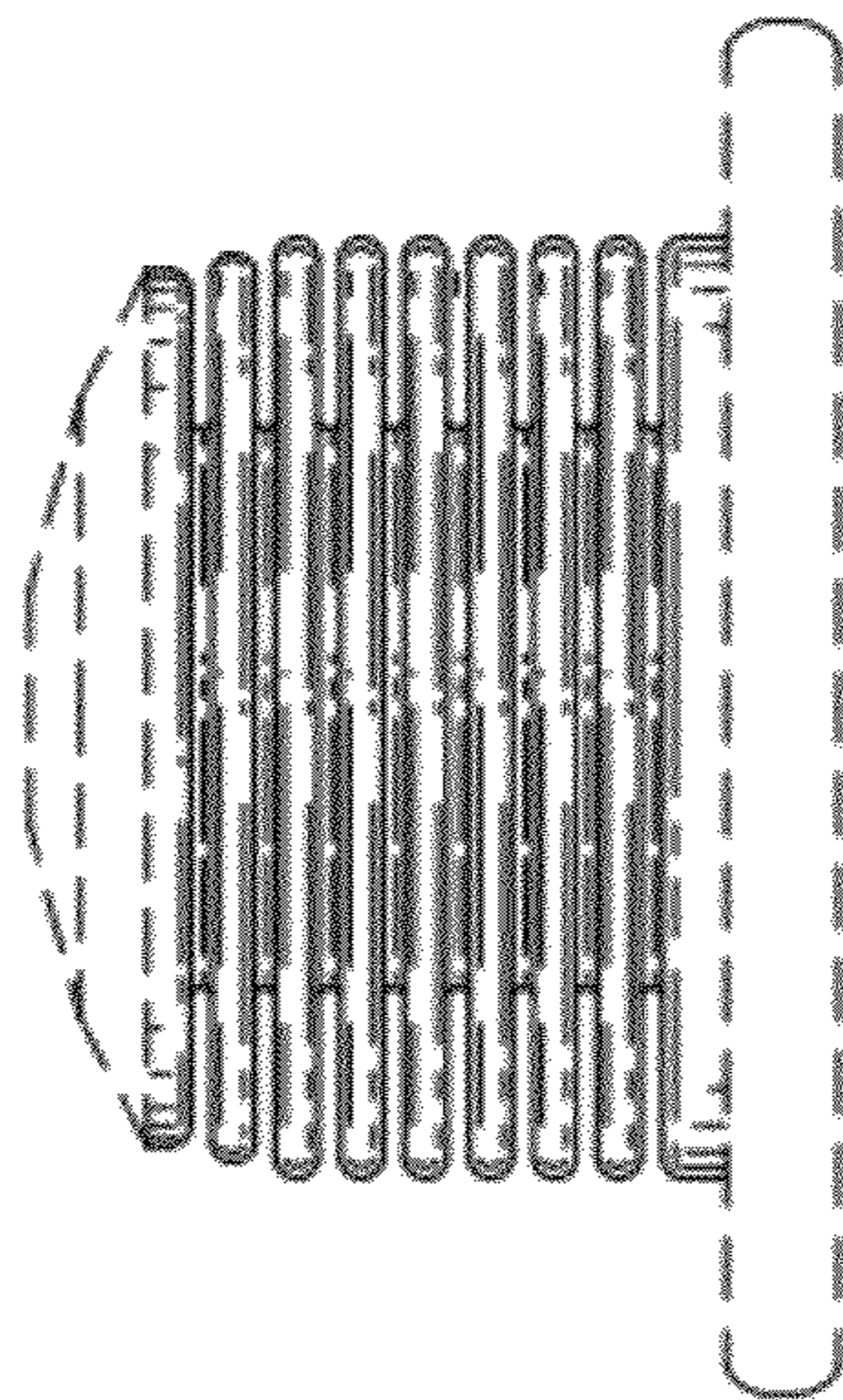
*FIG. 1*



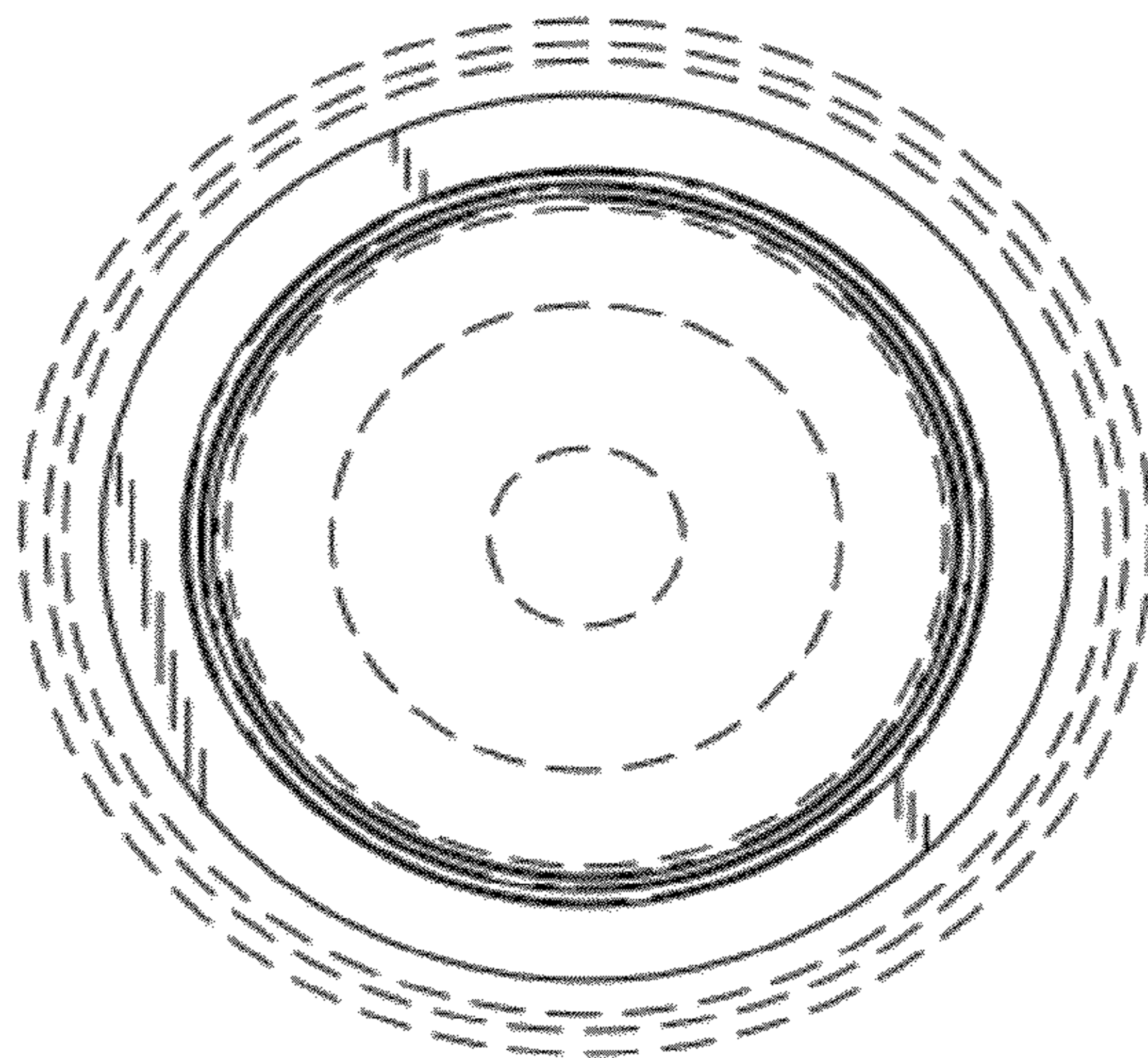
*FIG. 2*



*FIG. 3*



*FIG. 4*



*FIG. 5*