



US00D675719S

(12) **United States Design Patent**
Eicher

(10) **Patent No.:** **US D675,719 S**

(45) **Date of Patent:** **** Feb. 5, 2013**

(54) **ANGLED ROOF VENTILATION CAP WITH A GRILL**

(76) Inventor: **Paul Eicher**, Baden (CA)

(**) Term: **14 Years**

(21) Appl. No.: **29/408,208**

(22) Filed: **Dec. 8, 2011**

(51) **LOC (9) Cl.** **23-04**

(52) **U.S. Cl.** **D23/373; D23/393**

(58) **Field of Classification Search** D23/314,
D23/355, 370, 371, 373, 374, 385, 387, 391,
D23/393; 52/199, 200, 219; 454/173, 174,
454/182, 241, 242, 254, 260, 270, 271, 275,
454/366, 367

See application file for complete search history.

(56) **References Cited**

U.S. PATENT DOCUMENTS

D124,294	S	*	12/1940	Leslie	D23/373
2,300,842	A	*	11/1942	Leslie	454/366
D155,345	S	*	9/1949	Johnson	D23/373
2,490,220	A	*	12/1949	Leslie	454/366
2,636,429	A		4/1953	Parsons		
2,741,972	A	*	4/1956	Pryne	454/27
3,062,125	A		11/1962	Henneberger		
D269,809	S	*	7/1983	Chadd	D23/371
4,480,534	A		11/1984	Sloan		
5,591,080	A	*	1/1997	Ward	454/359

6,183,360	B1		2/2001	Luter, II et al.		
D448,468	S		9/2001	Koessler		
6,293,862	B1		9/2001	Jafine et al.		
D618,780	S	*	6/2010	Williams, Sr.	D23/373
2005/0233691	A1	*	10/2005	Horton	454/366

* cited by examiner

Primary Examiner — Janice Seeger

Assistant Examiner — Martie K Holtje

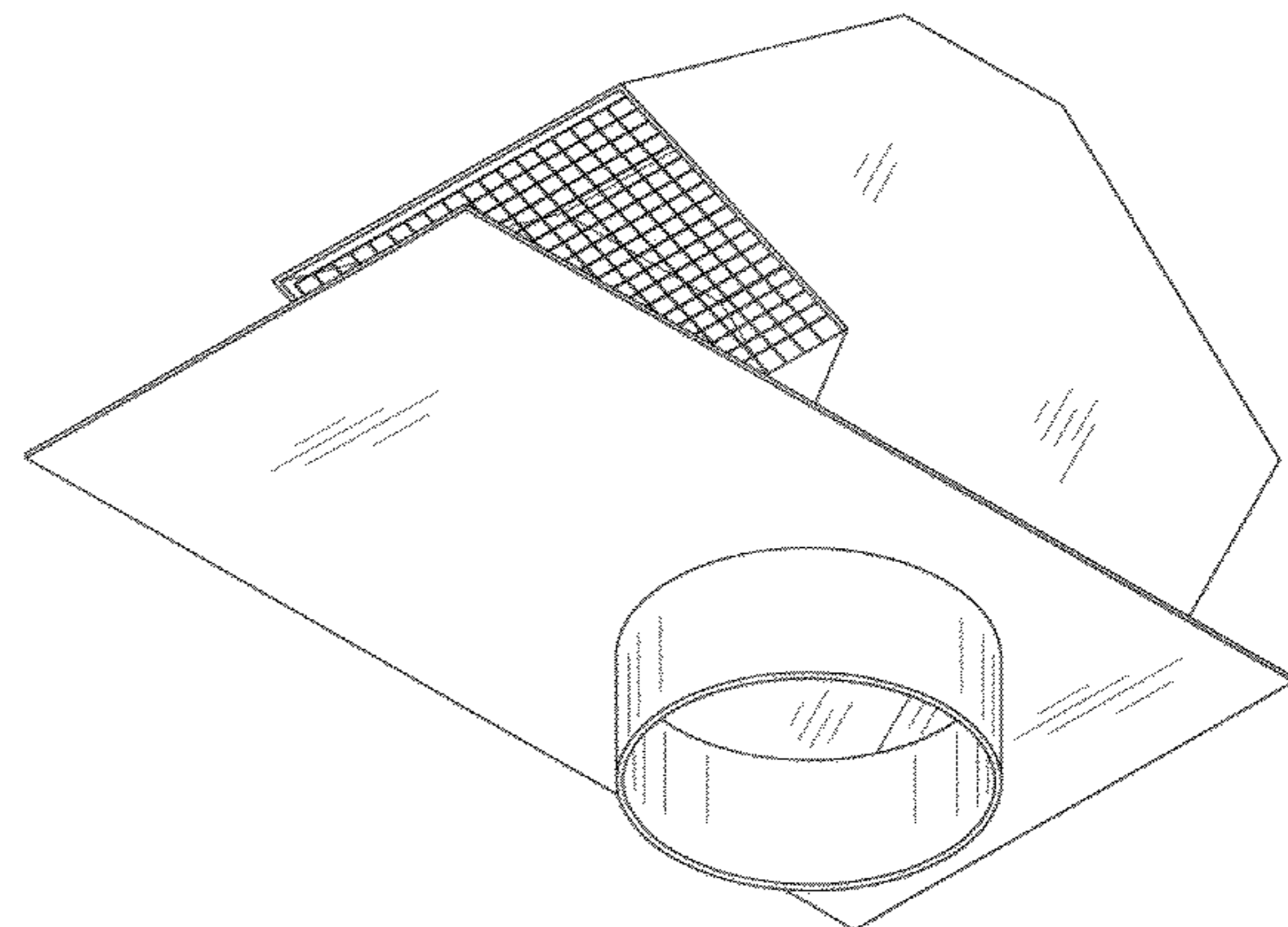
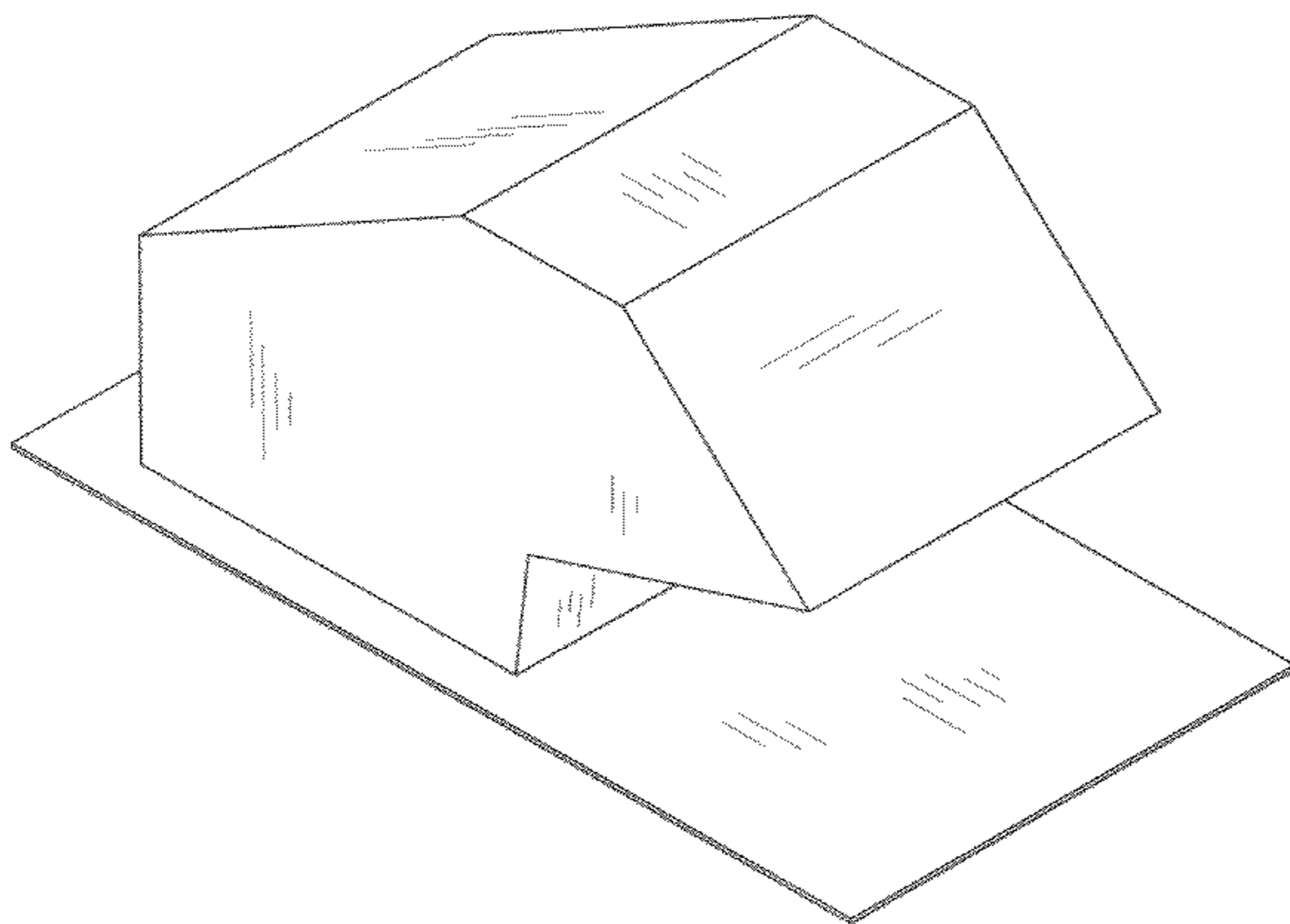
(57) **CLAIM**

The ornamental design for an angled roof ventilation cap with a grill, as shown and described.

DESCRIPTION

FIG. 1 is a perspective view of an angled roof ventilation cap with a grill showing my new design;
 FIG. 2 is a bottom perspective view, wherein the cylindrical opening is a through hole as shown in the cross-sectional view of FIG. 8 thereof;
 FIG. 3 is a side view (opposite side view is mirror image) thereof;
 FIG. 4 is a front view thereof;
 FIG. 5 is a rear view thereof;
 FIG. 6 is a top view thereof;
 FIG. 7 is a bottom view thereof; and,
 FIG. 8 is a cross-sectional view taken in the direction of arrows 8-8 in FIG. 4.

1 Claim, 5 Drawing Sheets



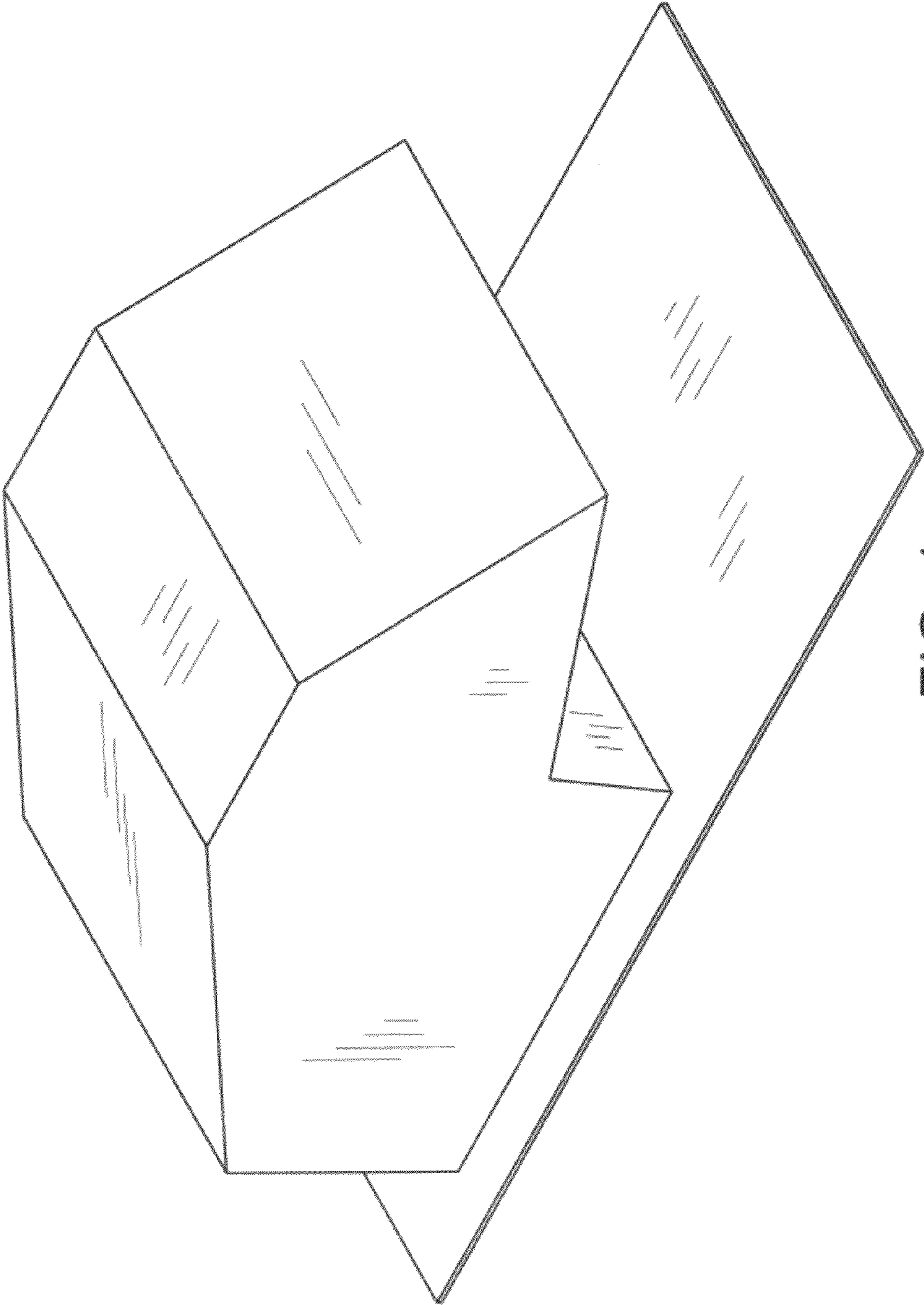


FIG. 1

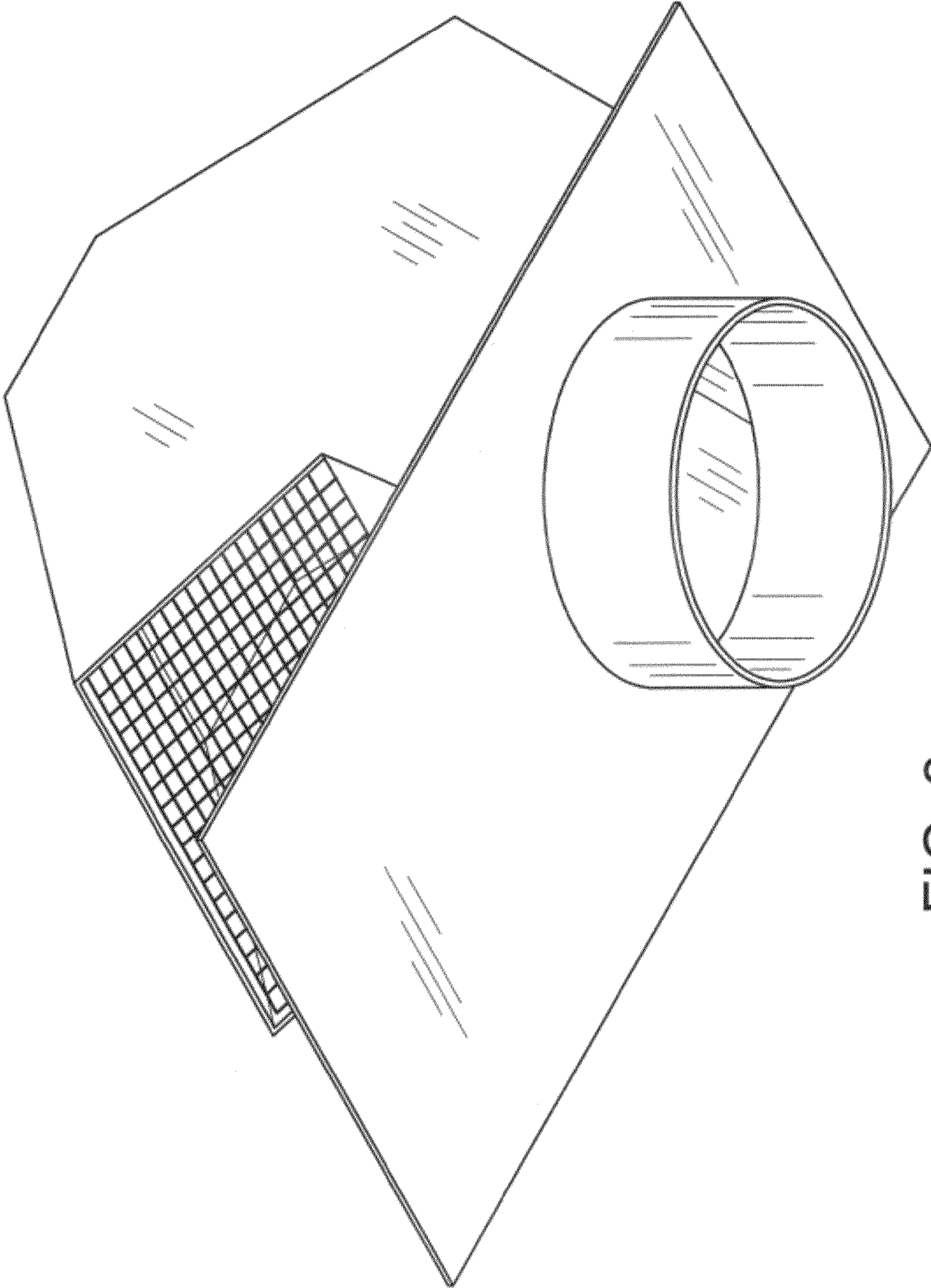


FIG. 2

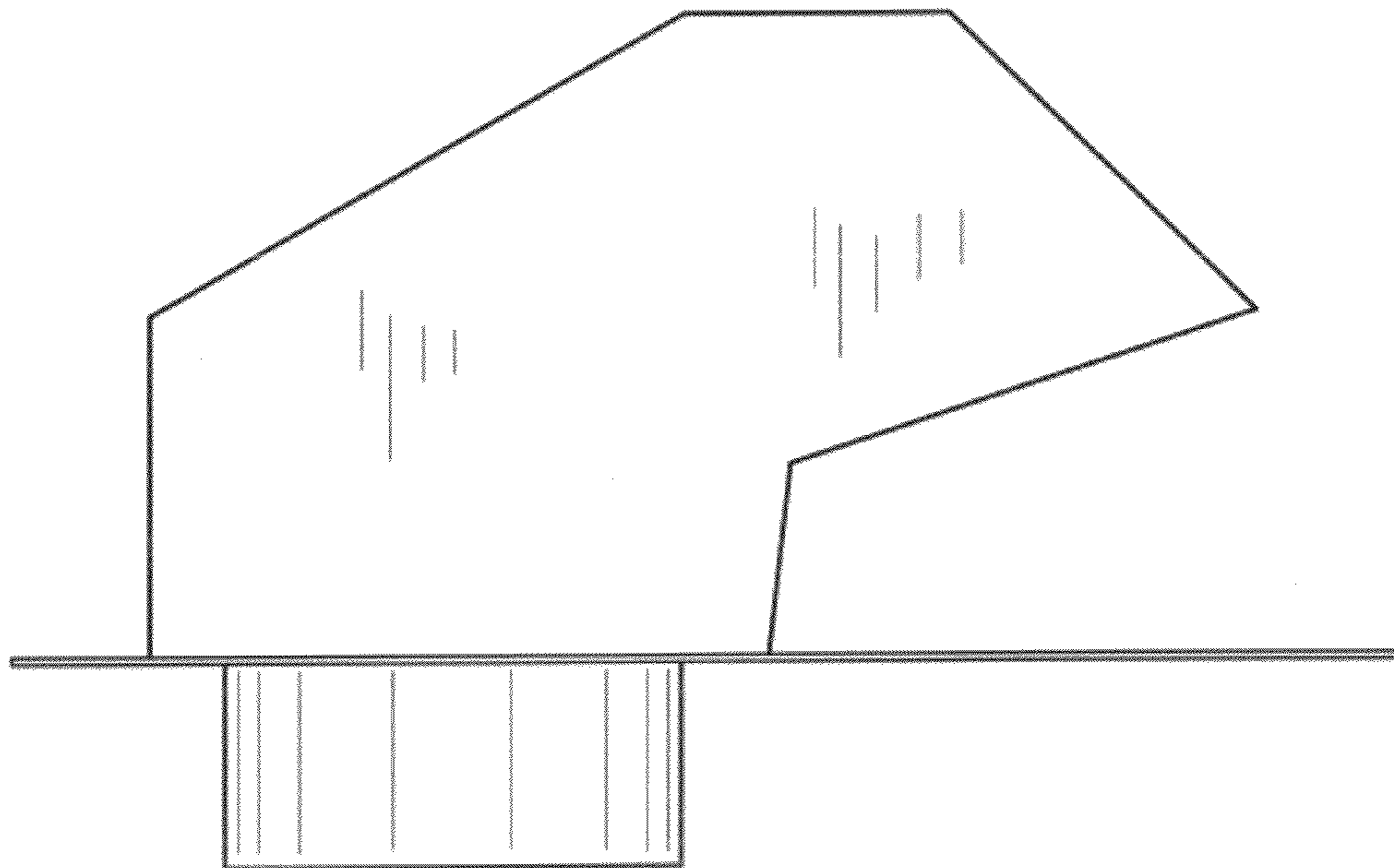


FIG. 3

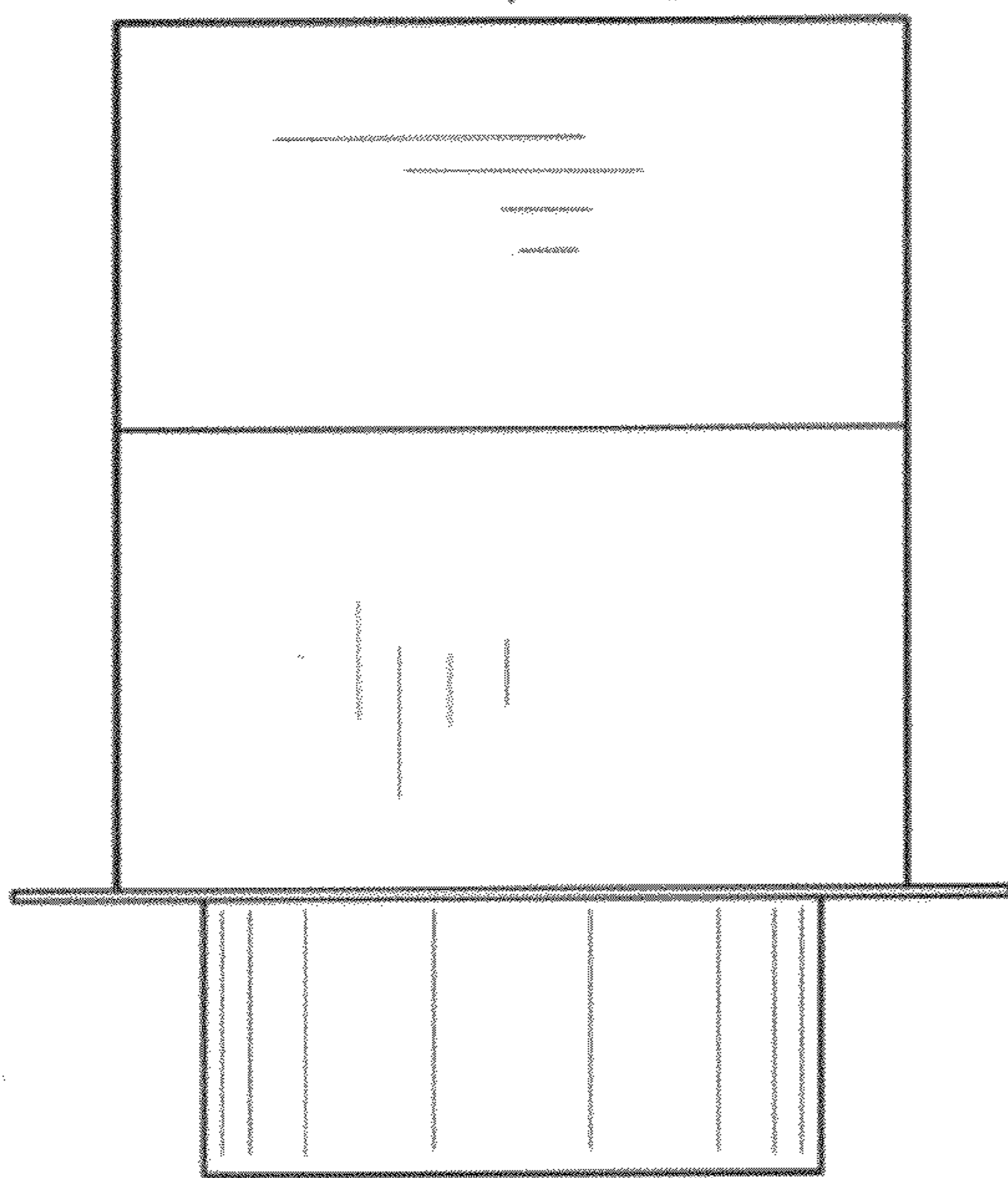


FIG. 4

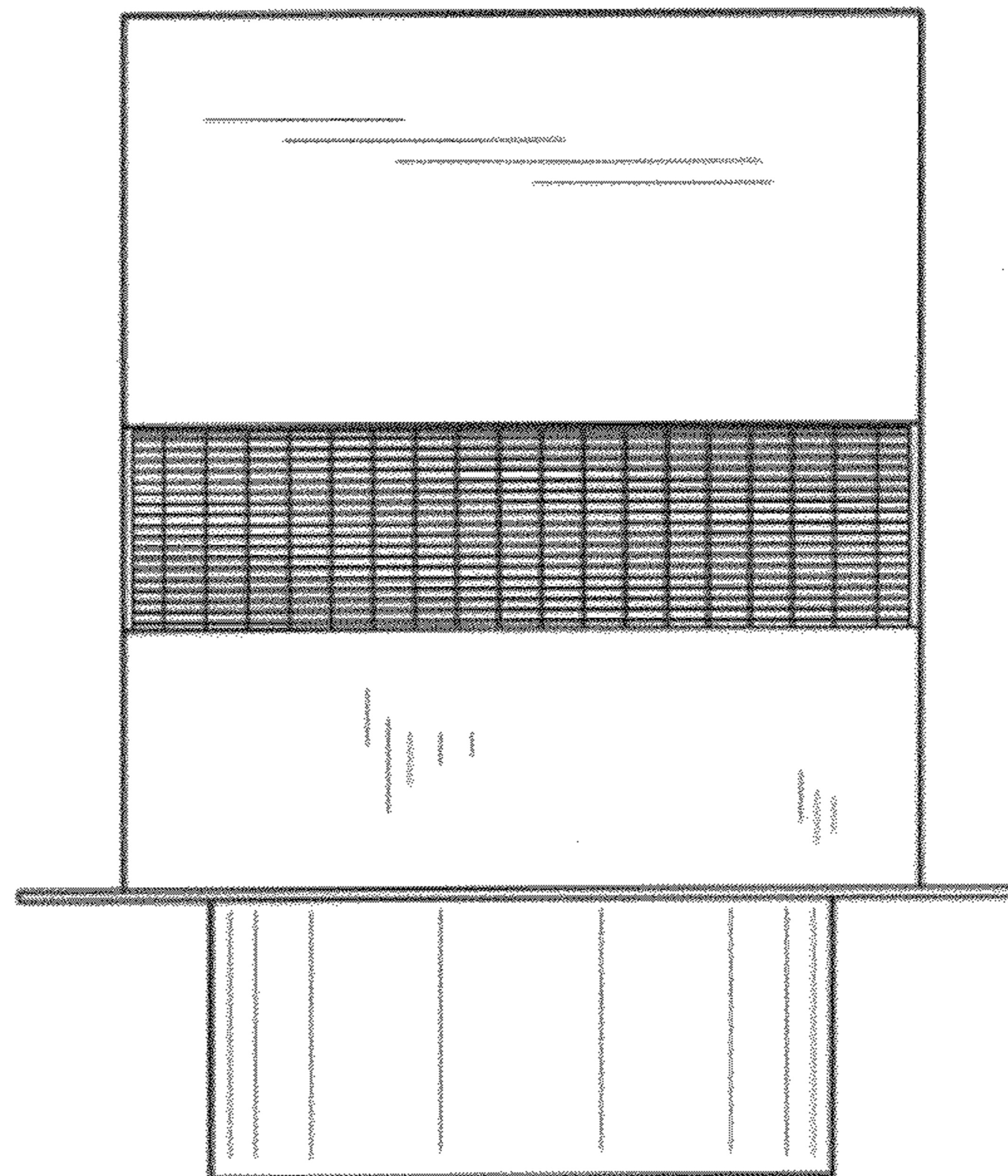


FIG. 5

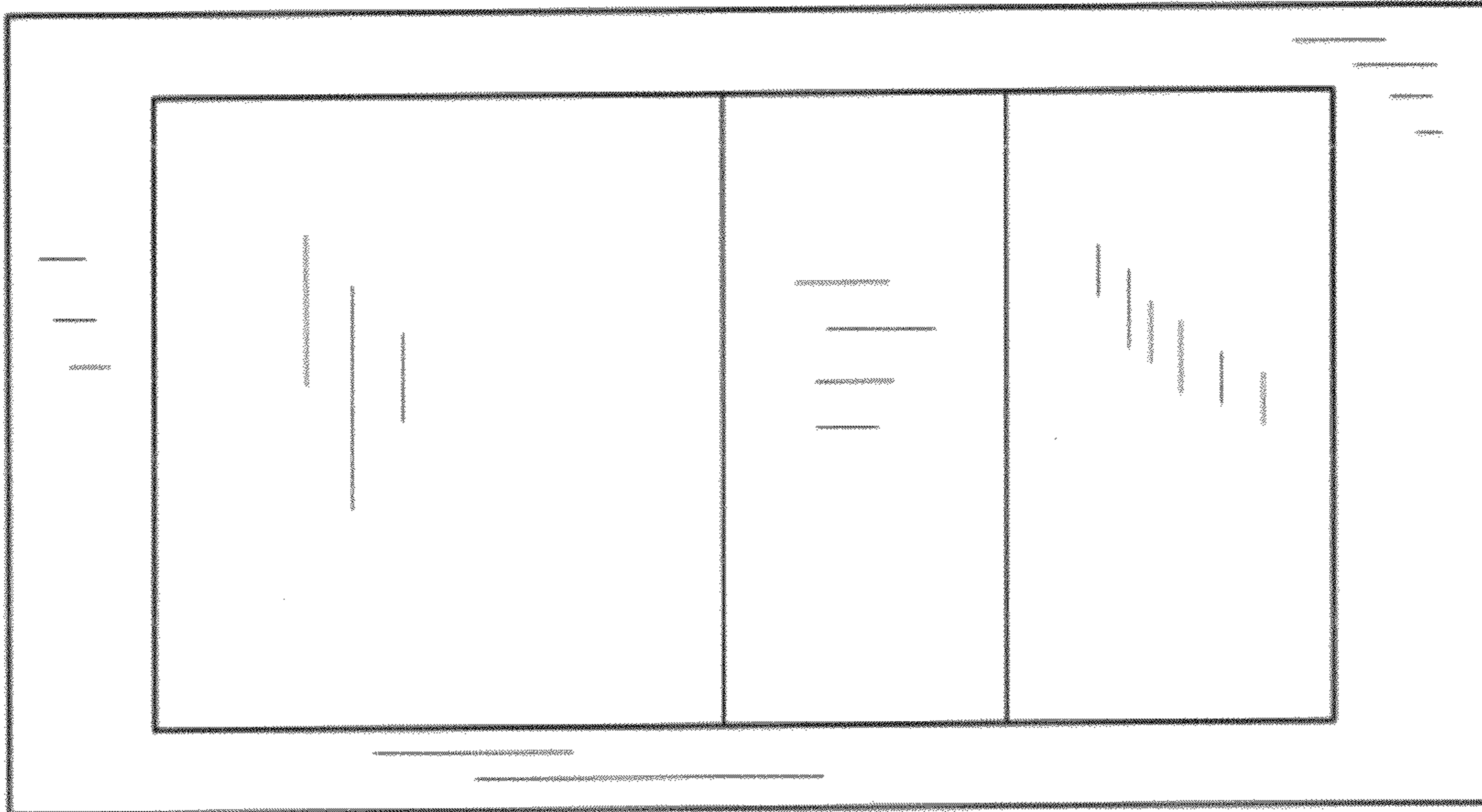


FIG. 6

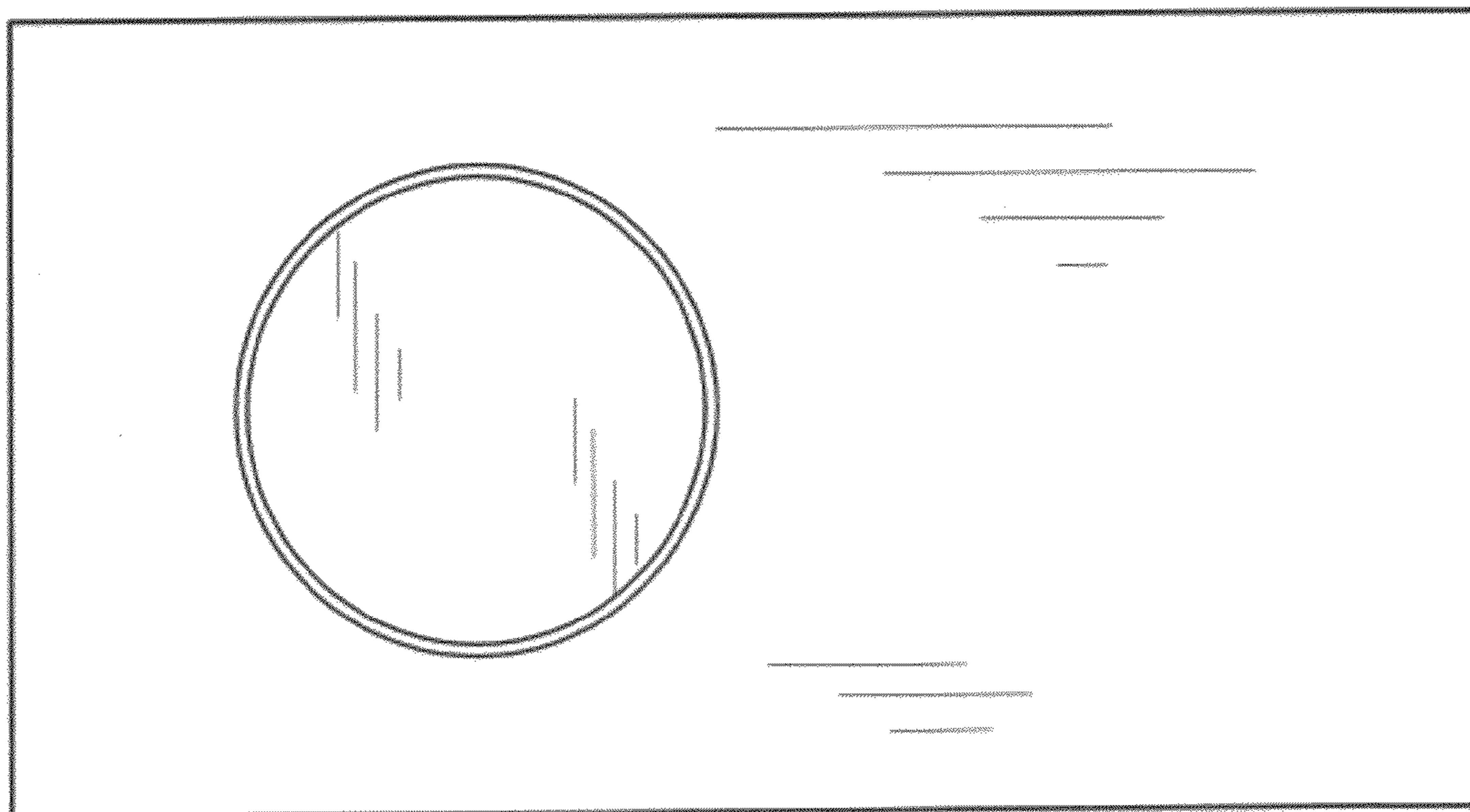


FIG. 7

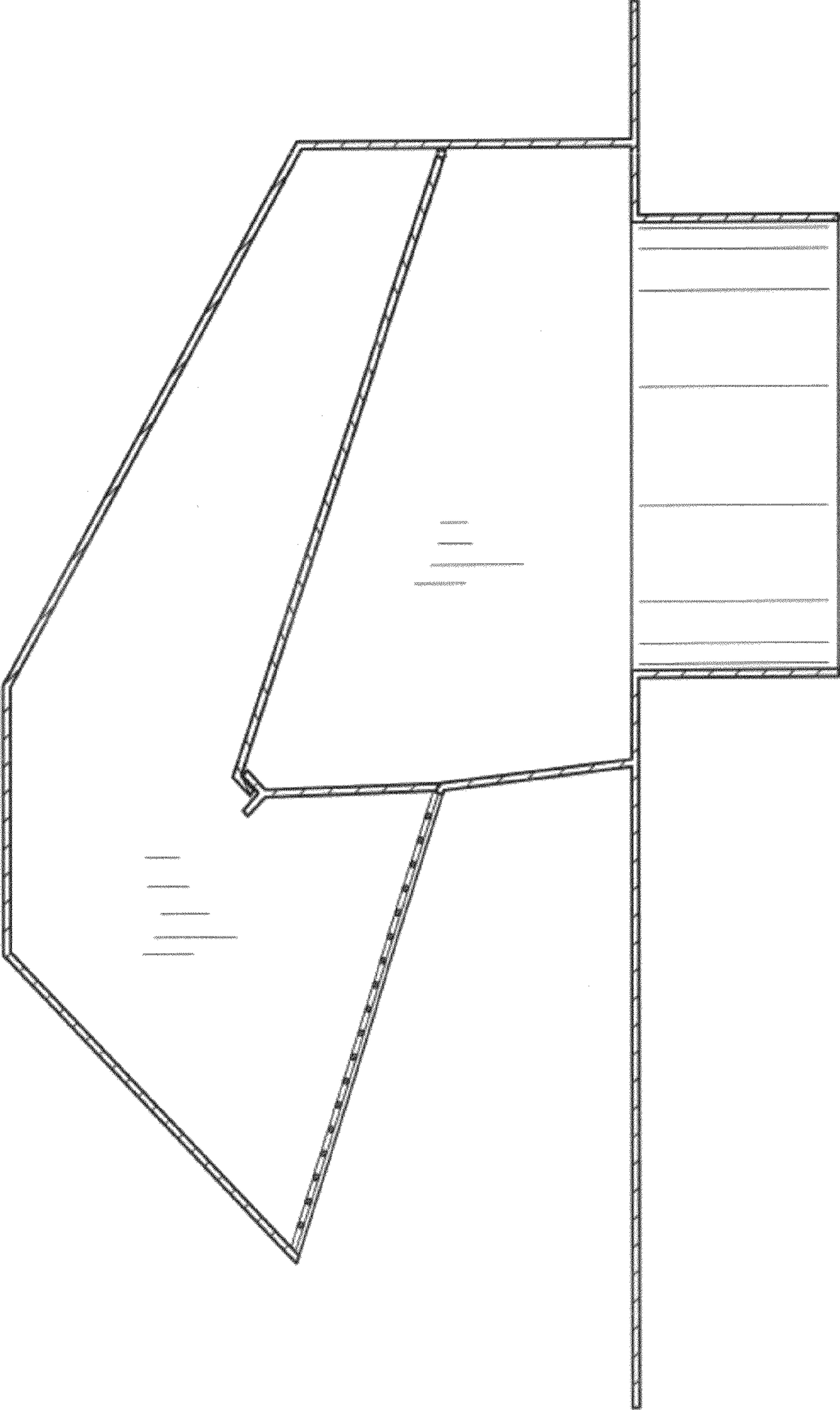


FIG. 8