



US00D675716S

(12) **United States Design Patent**
Schwartz

(10) **Patent No.:** **US D675,716 S**
(45) **Date of Patent:** **** Feb. 5, 2013**

(54) **FIREPLACE**
(76) Inventor: **Chris Schwartz**, Tooele, UT (US)
(**) Term: **14 Years**
(21) Appl. No.: **29/387,641**
(22) Filed: **Mar. 16, 2011**
(51) **LOC (9) Cl.** **23-01**
(52) **U.S. Cl.** **D23/343**
(58) **Field of Classification Search** D23/317,
D23/314, 332, 333, 334, 335, 342, 355, 378,
D23/370, 381, 364, 336, 341, 343, 344, 348;
416/244 R, 247 R, 53.1, 53.3; 392/365, 367;
D6/450, 397
See application file for complete search history.

D624,638 S 9/2010 Gallo et al.
D625,397 S 10/2010 Gallo
D653,739 S * 2/2012 Gibbs D23/332
2010/0307477 A1* 12/2010 Gallo et al. 126/500

* cited by examiner

Primary Examiner — Eric Goodman
(74) *Attorney, Agent, or Firm* — Thorpe North & Western
LLP

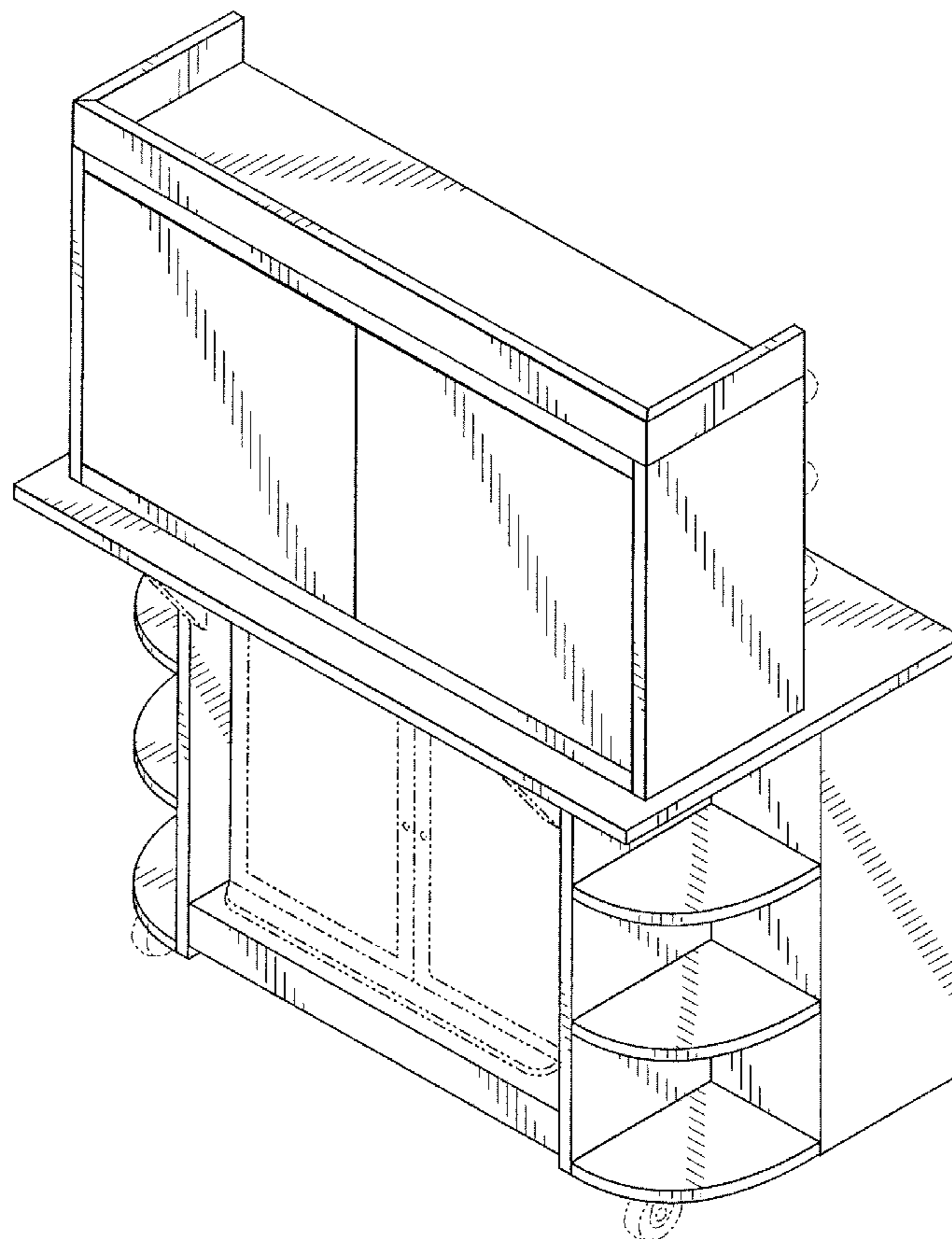
(57) **CLAIM**
The ornamental design for a fireplace, as shown herein.

DESCRIPTION

FIG. 1 is a perspective view of an electric fireplace in accordance with an embodiment of the present invention;
FIG. 2 is a front view thereof;
FIG. 3 is a rear view thereof;
FIG. 4 is a side view thereof;
FIG. 5 is an opposing side view thereof;
FIG. 6 is a top view thereof;
FIG. 7 is a bottom view thereof; and,
FIG. 8 is a perspective view thereof with the front doors open. The phantom or broken line showing is for illustrative purposes only and forms no part of the claimed design.

(56) **References Cited**
U.S. PATENT DOCUMENTS
D100,987 S 8/1936 Colen
D121,110 S 6/1940 Williams
5,887,388 A * 3/1999 Hempel et al. 52/27
D423,810 S * 5/2000 Dorst D6/397
D431,646 S * 10/2000 Mattarelli D23/404
D509,581 S * 9/2005 Rumens D23/404
6,953,037 B2 * 10/2005 Rumens 126/512
D574,474 S * 8/2008 Carroll et al. D23/342
D574,939 S * 8/2008 Carroll et al. D23/342

1 Claim, 6 Drawing Sheets



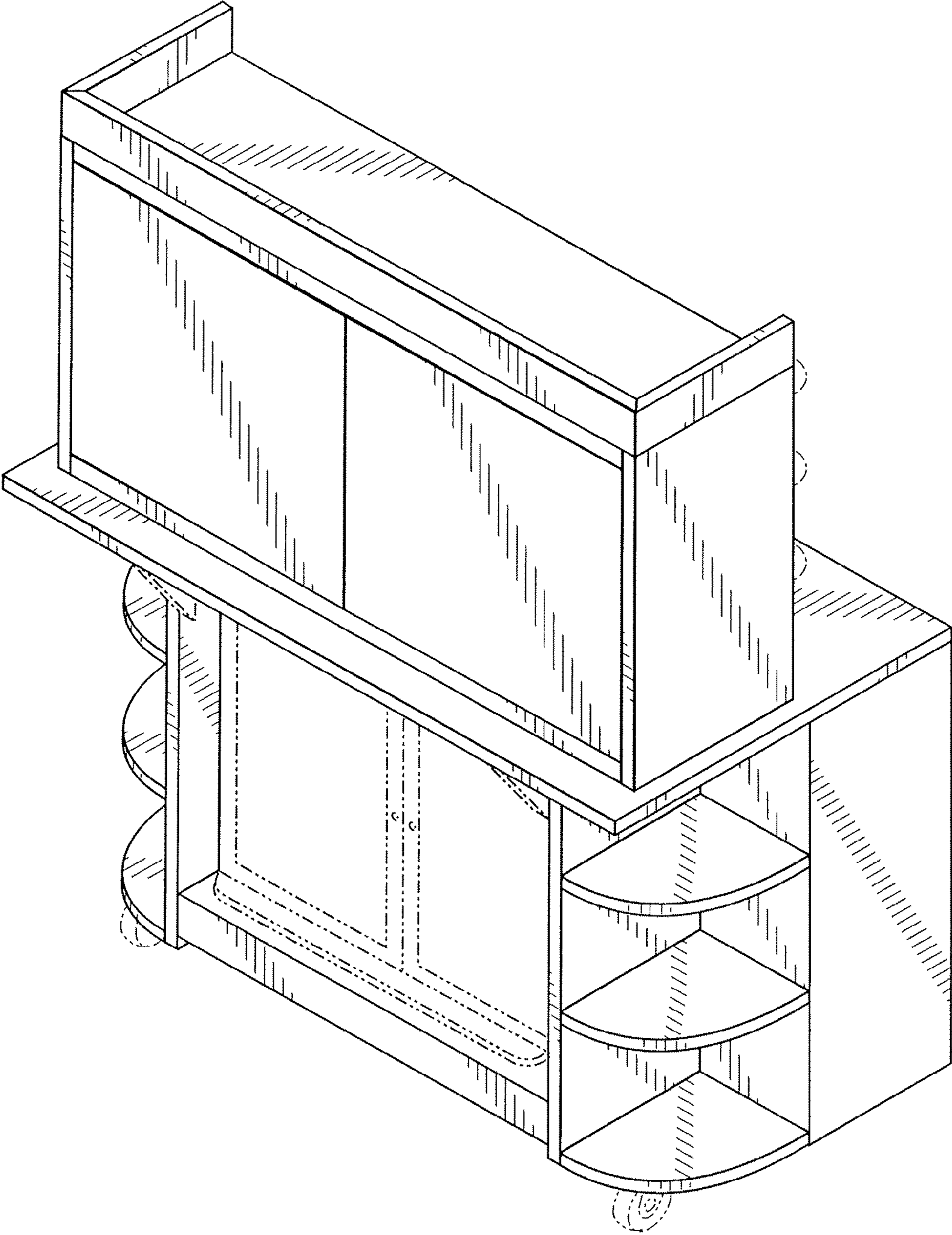


FIG. 1

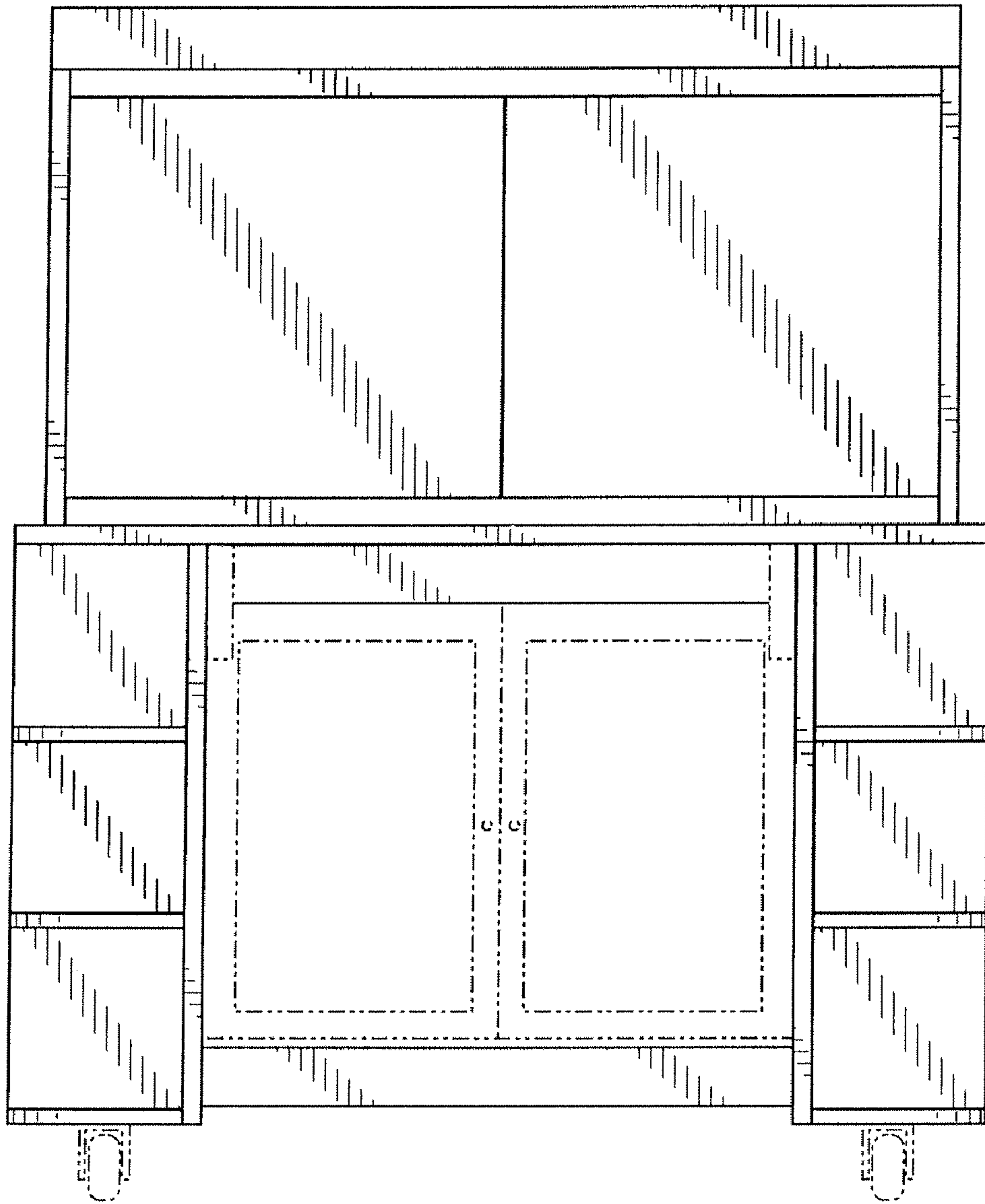


FIG. 2

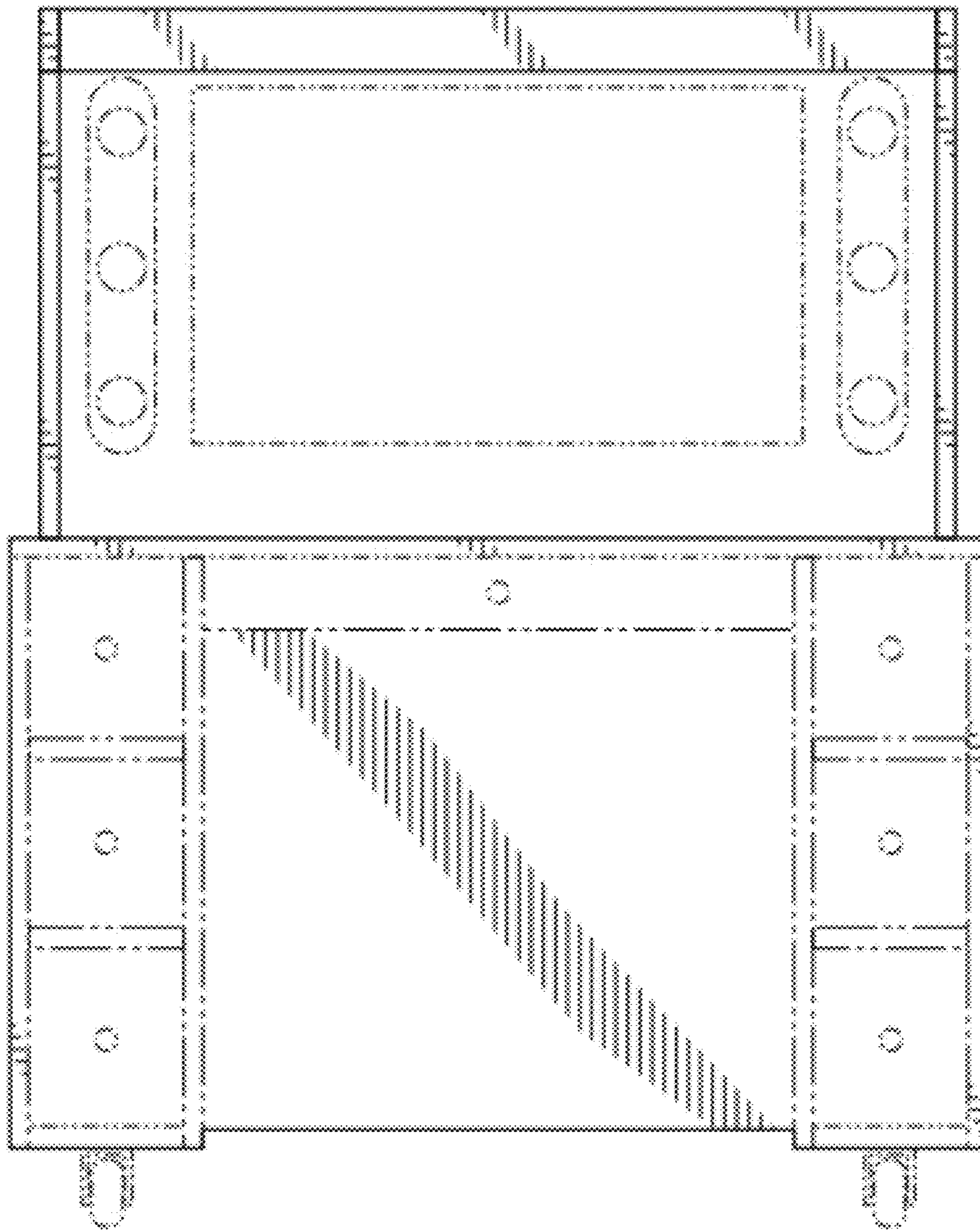


FIG. 3

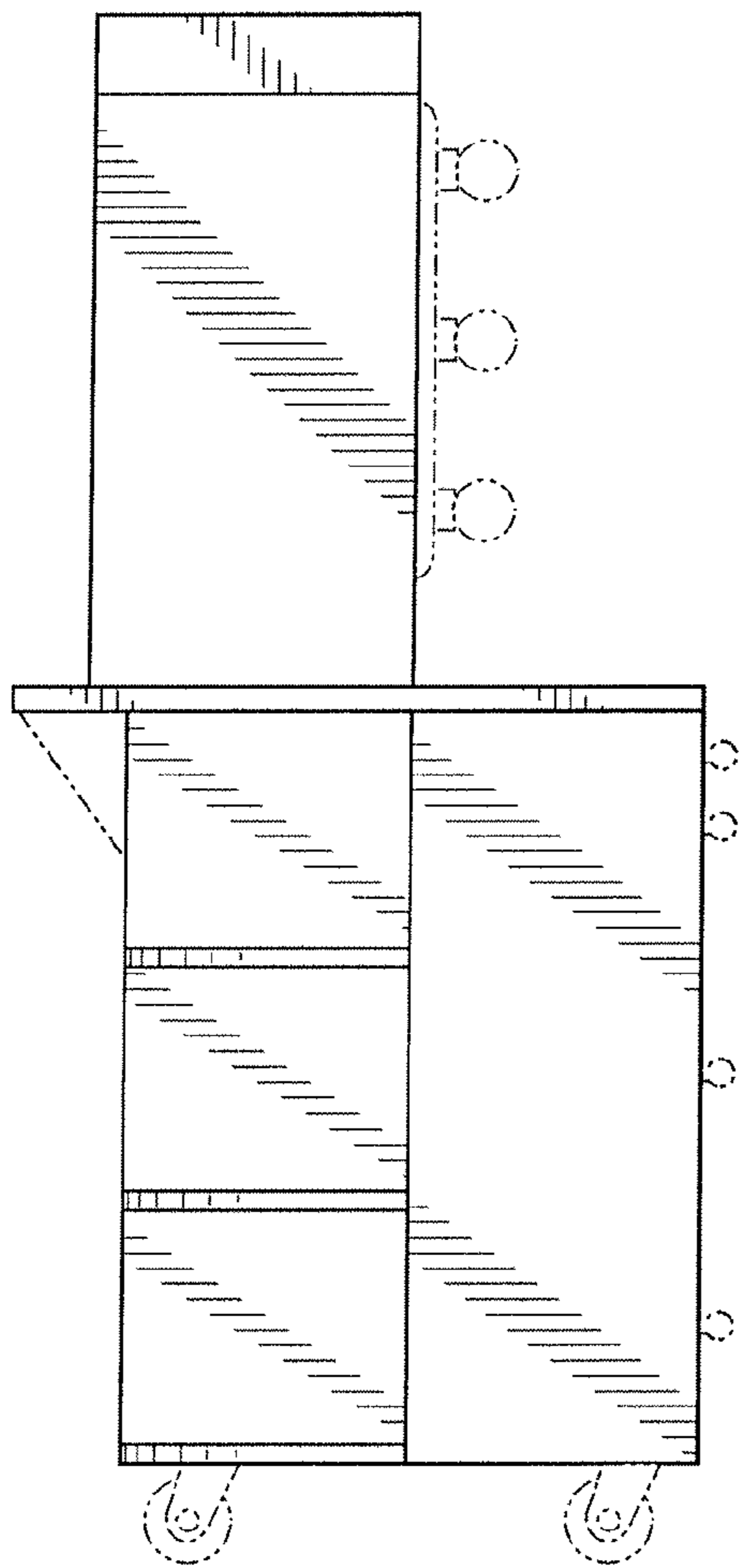


FIG. 4

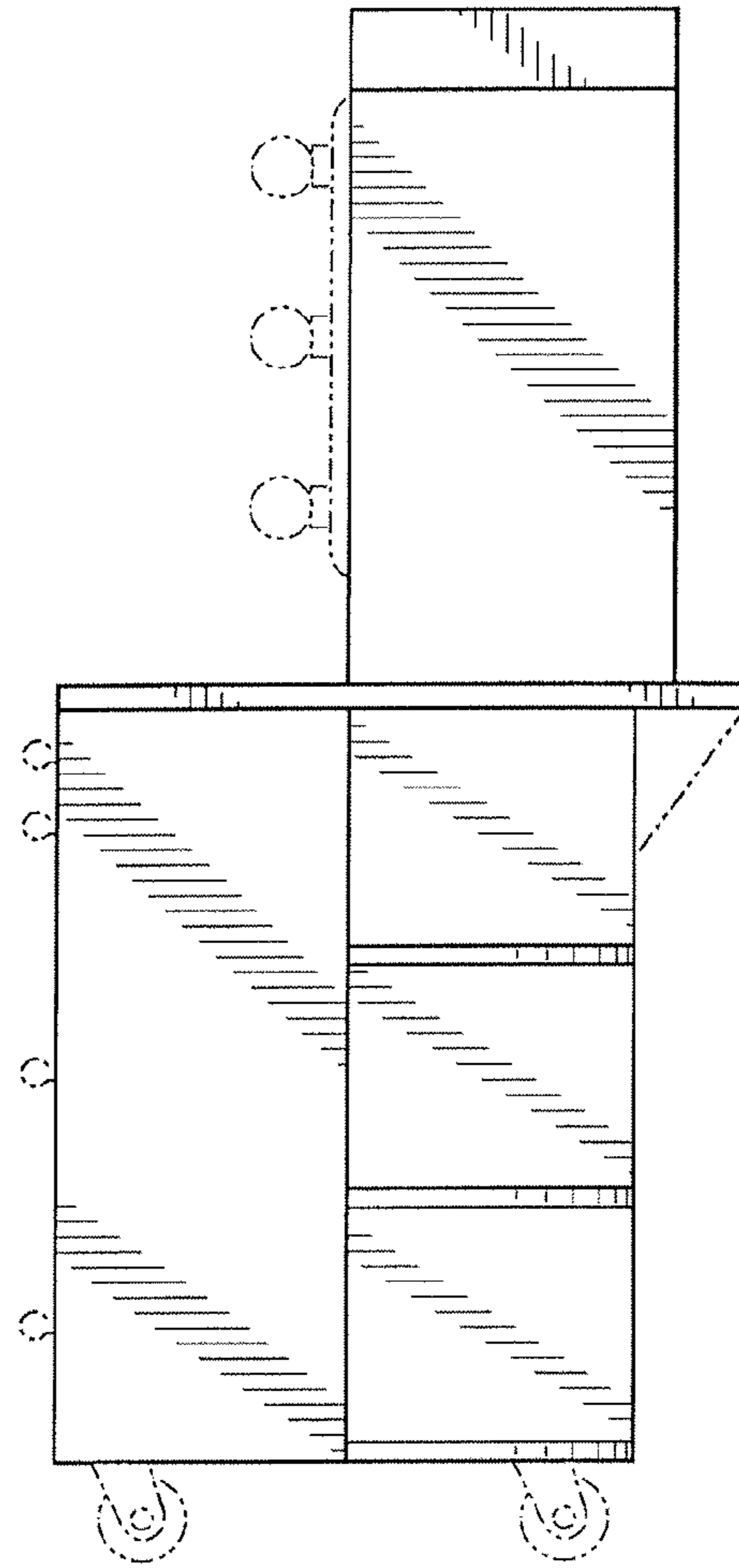


FIG. 5

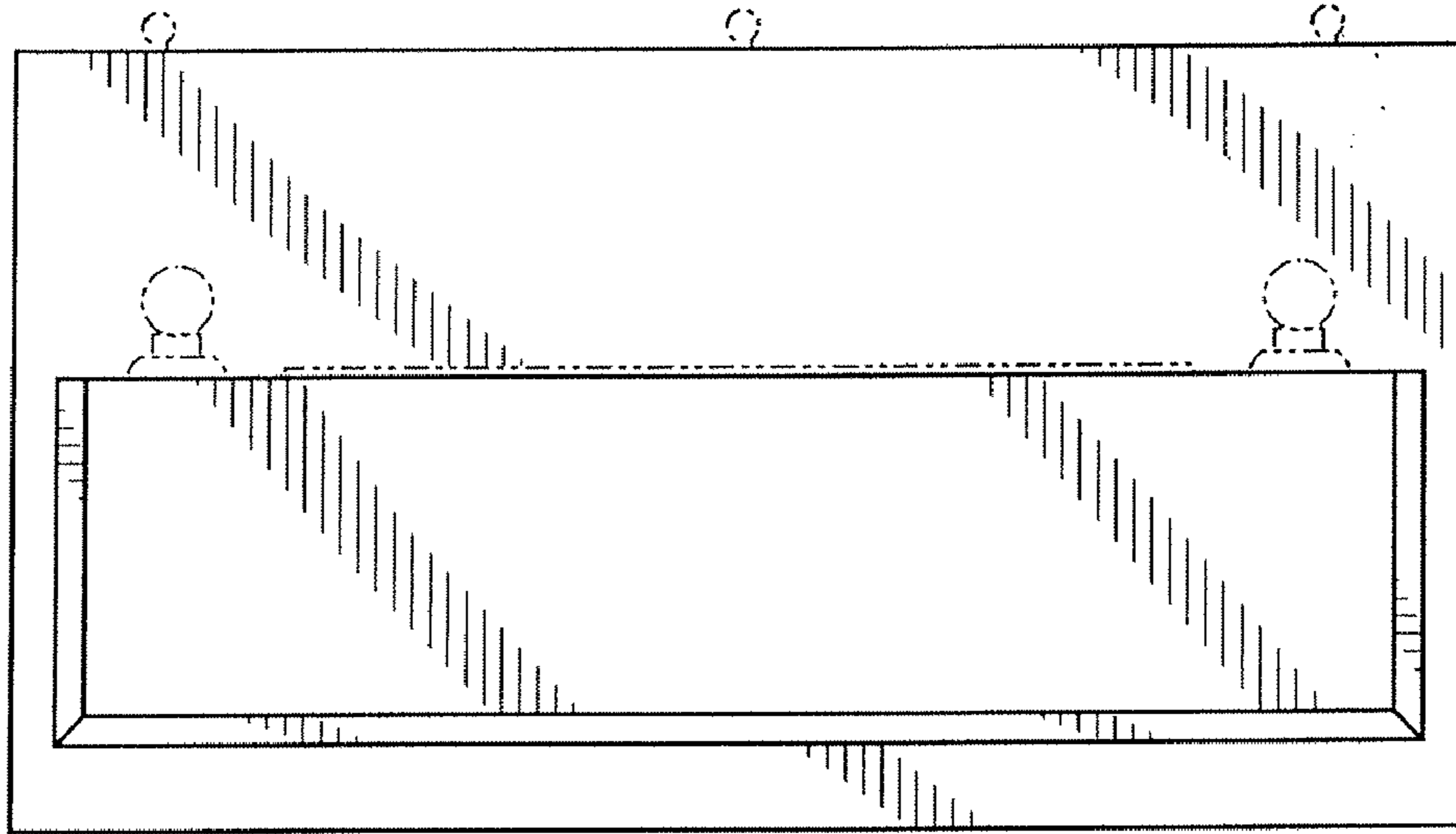


FIG. 6

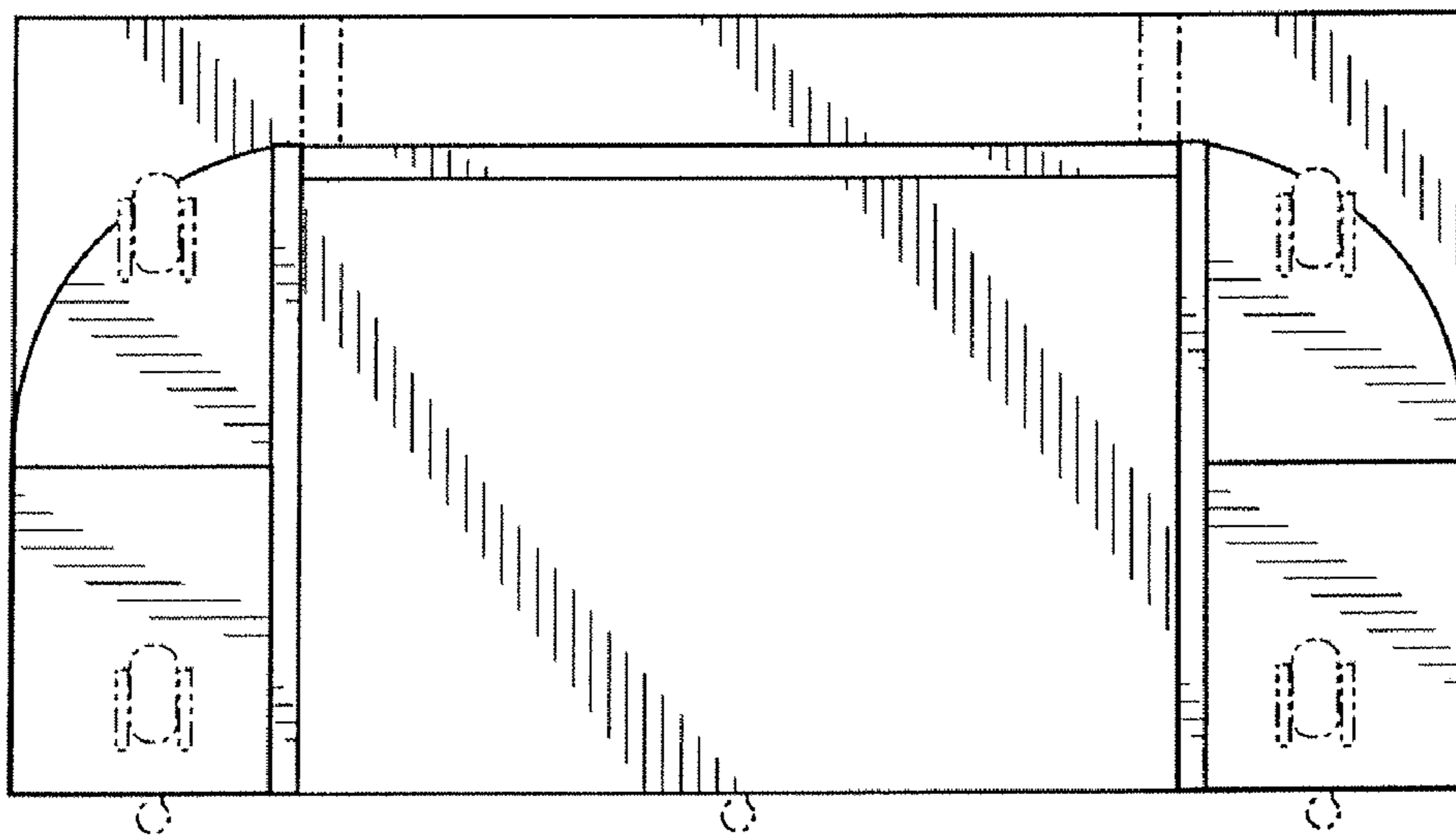


FIG. 7

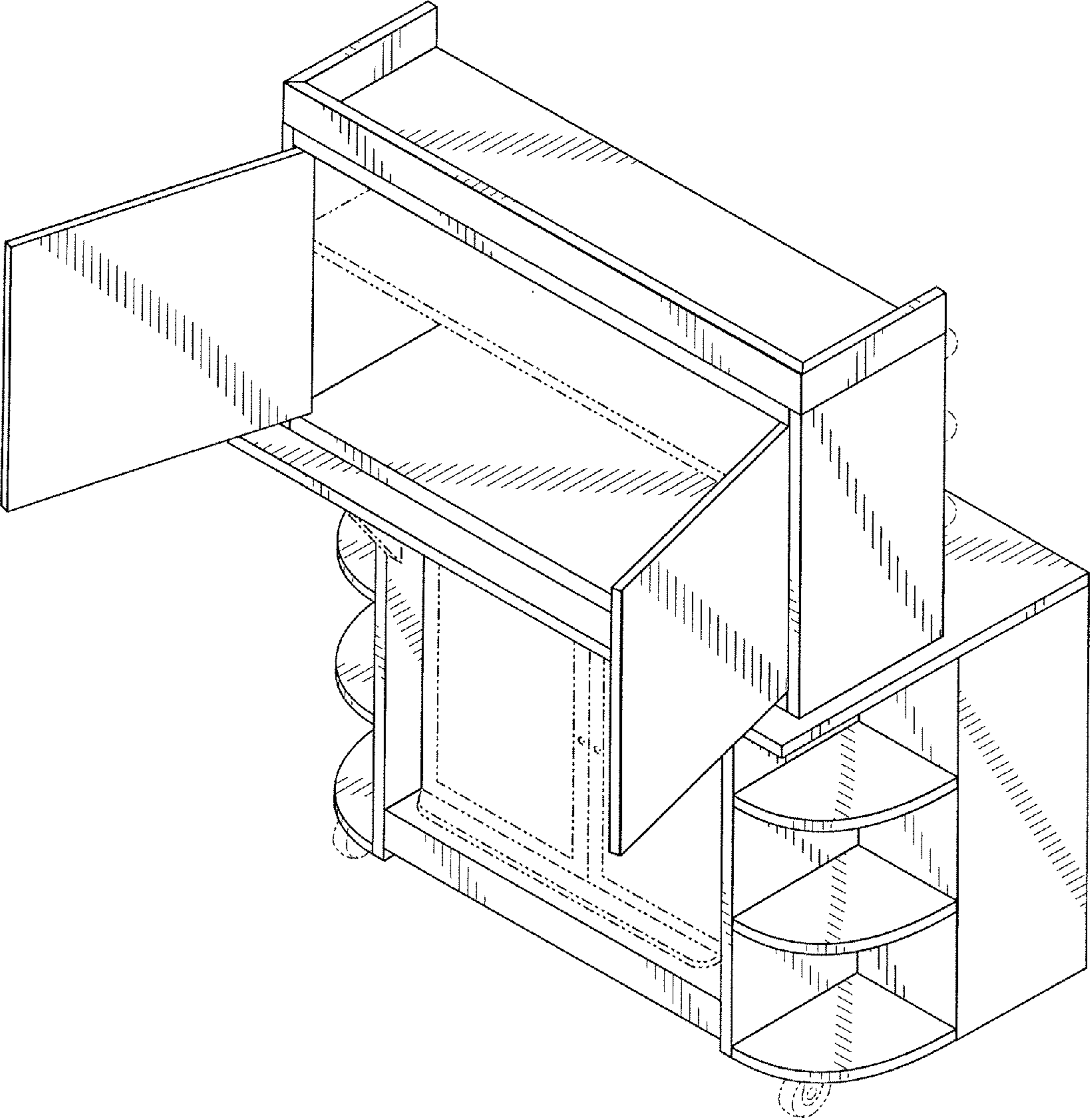


FIG. 8