



US00D675714S

(12) **United States Design Patent**
Nguyen

(10) **Patent No.:** **US D675,714 S**
(45) **Date of Patent:** **** Feb. 5, 2013**

(54) **UNREGULATED INTEGRATED FUNCTION**
GAS VALVE

2007/0183758 A1 8/2007 Bradenbaugh
2007/0259220 A1 11/2007 Redmond
2008/0289695 A1 11/2008 Holzer et al.

(75) Inventor: **Can Trong Nguyen**, Anaheim, CA (US)

FOREIGN PATENT DOCUMENTS

(73) Assignee: **Robertshaw Controls Company**, Carol Stream, IL (US)

EP 0 945 680 A1 9/1999
EP 0 945 680 B1 8/2003
WO WO 2004/024845 A2 3/2004
WO WO 2004/050798 A2 6/2004
WO WO 2005/094273 A2 10/2005

(**) Term: **14 Years**

(21) Appl. No.: **29/398,901**

OTHER PUBLICATIONS

(22) Filed: **Aug. 5, 2011**

Robertshaw Controls Company; Information Bulletin; 110S and 110SS Series Gas Heating Controls; May 1986; 4 pages; Robertshaw Controls Company, Temperature Controls Marketing Group, Long Beach, CA 90805.

Related U.S. Application Data

Robertshaw Controls Company; Field Information Bulletin; Unitrol Water Heater Controls R110RT and R110R-TP Series; Apr. 1980; 6 pages; Robertshaw Controls Company, Temperature Controls Marketing Group, Long Beach, CA 90805.

(63) Continuation of application No. 12/419,348, filed on Apr. 7, 2009.

(51) **LOC (9) Cl.** **23-01**

(52) **U.S. Cl.** **D23/233**

(58) **Field of Classification Search** D23/233-237;
122/14.2; 137/460, 73-75

* cited by examiner

See application file for complete search history.

Primary Examiner — Robin V Webster

(74) *Attorney, Agent, or Firm* — Reinhart Boerner Van Deuren P.C.

(56) **References Cited**

(57) **CLAIM**

U.S. PATENT DOCUMENTS

I claim the ornamental design for the unregulated integrated function gas valve, as shown and described.

2,781,769 A * 2/1957 Reiter 137/74
2,905,389 A 9/1959 Eskin
4,188,972 A 2/1980 van der Zee
D359,107 S 6/1995 Vestergaard
D379,845 S 6/1997 Lee
5,931,655 A 8/1999 Maher, Jr.
6,363,971 B1 4/2002 Kaylan et al.
6,371,057 B1 * 4/2002 Henderson 122/14.2
7,169,489 B2 1/2007 Redmond
7,346,274 B2 3/2008 Bradenbaugh
7,381,274 B2 6/2008 Lee
7,543,603 B2 6/2009 Wang et al.
D622,350 S 8/2010 Gramegna et al.
D622,351 S 8/2010 Foster
D623,272 S 9/2010 Cavagna
D623,274 S 9/2010 Cavagna
2004/0016769 A1 1/2004 Redmond
2004/0023087 A1 2/2004 Redmond
2004/0177817 A1 9/2004 Bradenbaugh
2007/0051243 A1 3/2007 Boutall et al.

DESCRIPTION

FIG. 1 is a perspective view of the unregulated integrated function gas valve;
FIG. 2 is a rear view thereof;
FIG. 3 is a top view thereof;
FIG. 4 is a side view thereof;
FIG. 5 is a bottom view thereof;
FIG. 6 is a side view thereof showing the side opposite that shown in FIG. 4;
FIG. 7 is a front view thereof; and,
FIG. 8 is another perspective view thereof.
The lighter weight broken lines represent unclaimed portions of the unregulated integrated function gas valve and form no part of the claimed design.

1 Claim, 8 Drawing Sheets

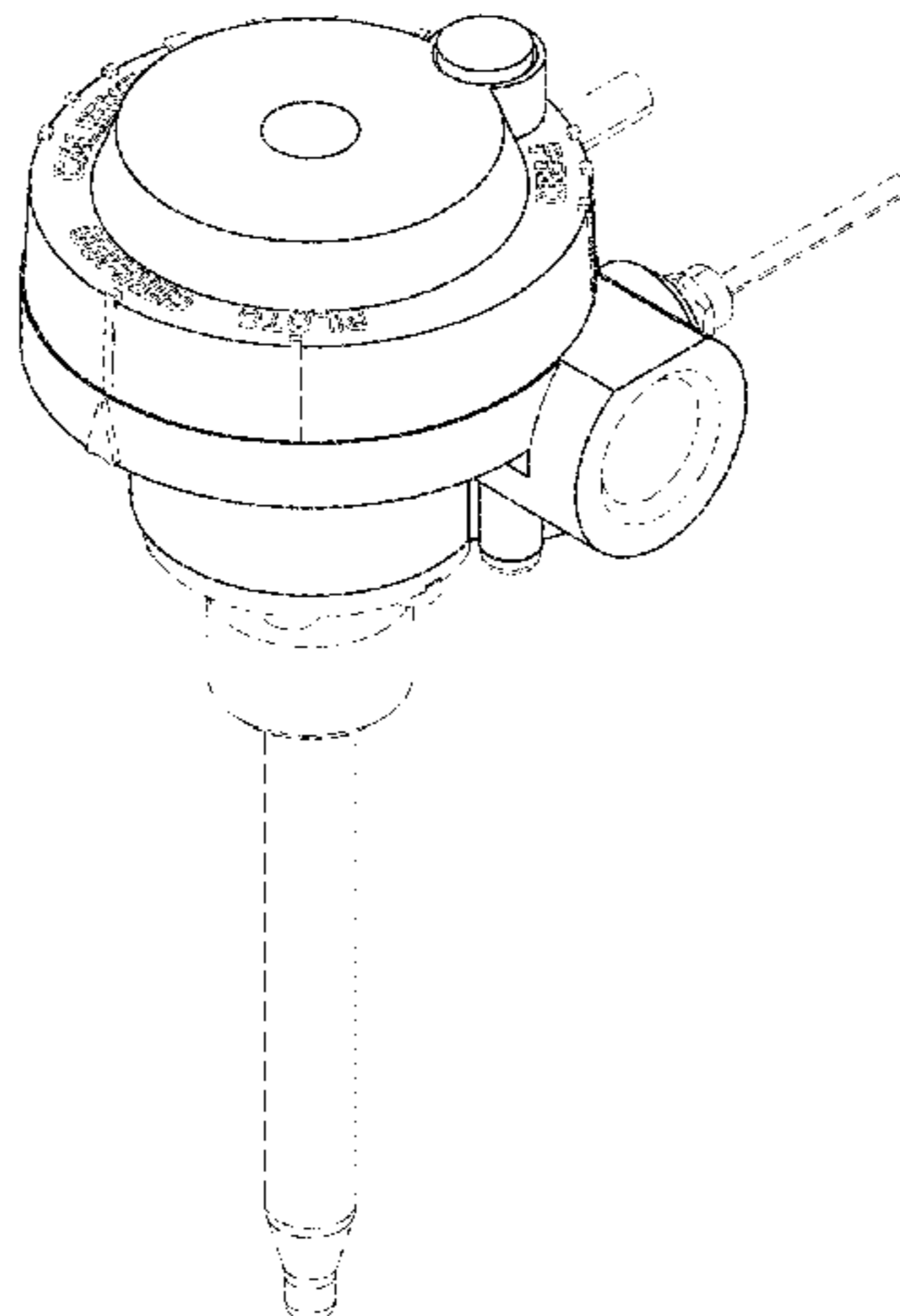


FIG. 1

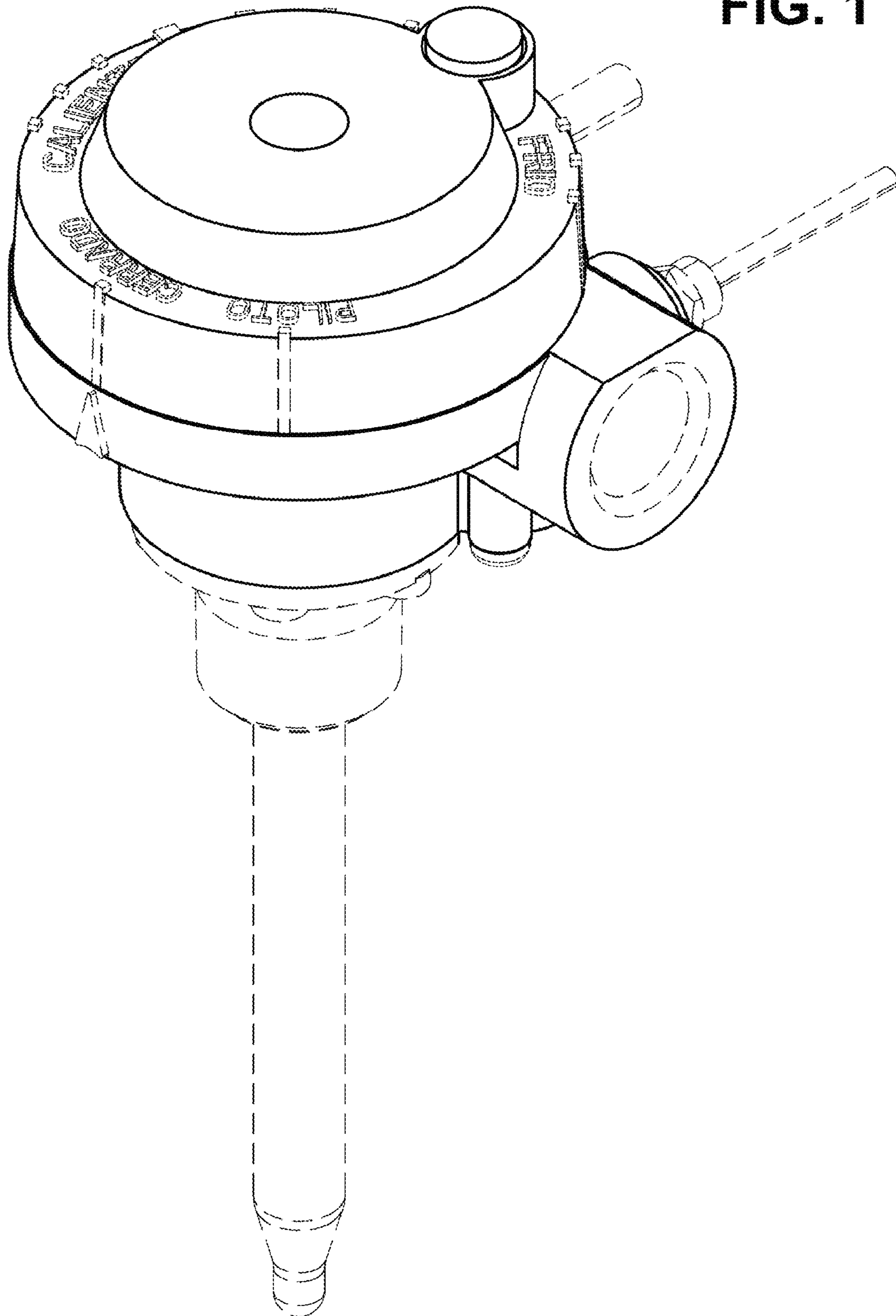
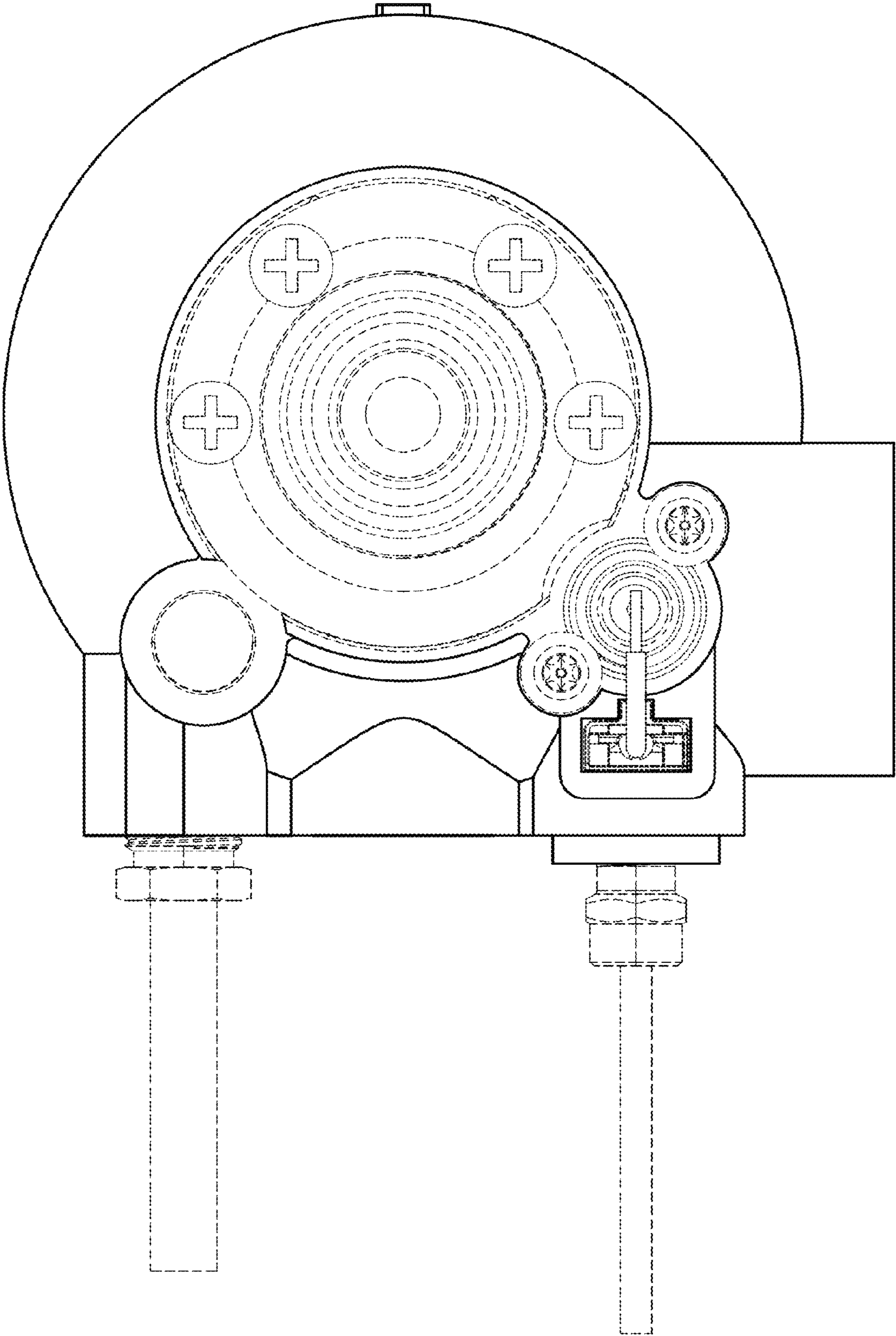


FIG. 2



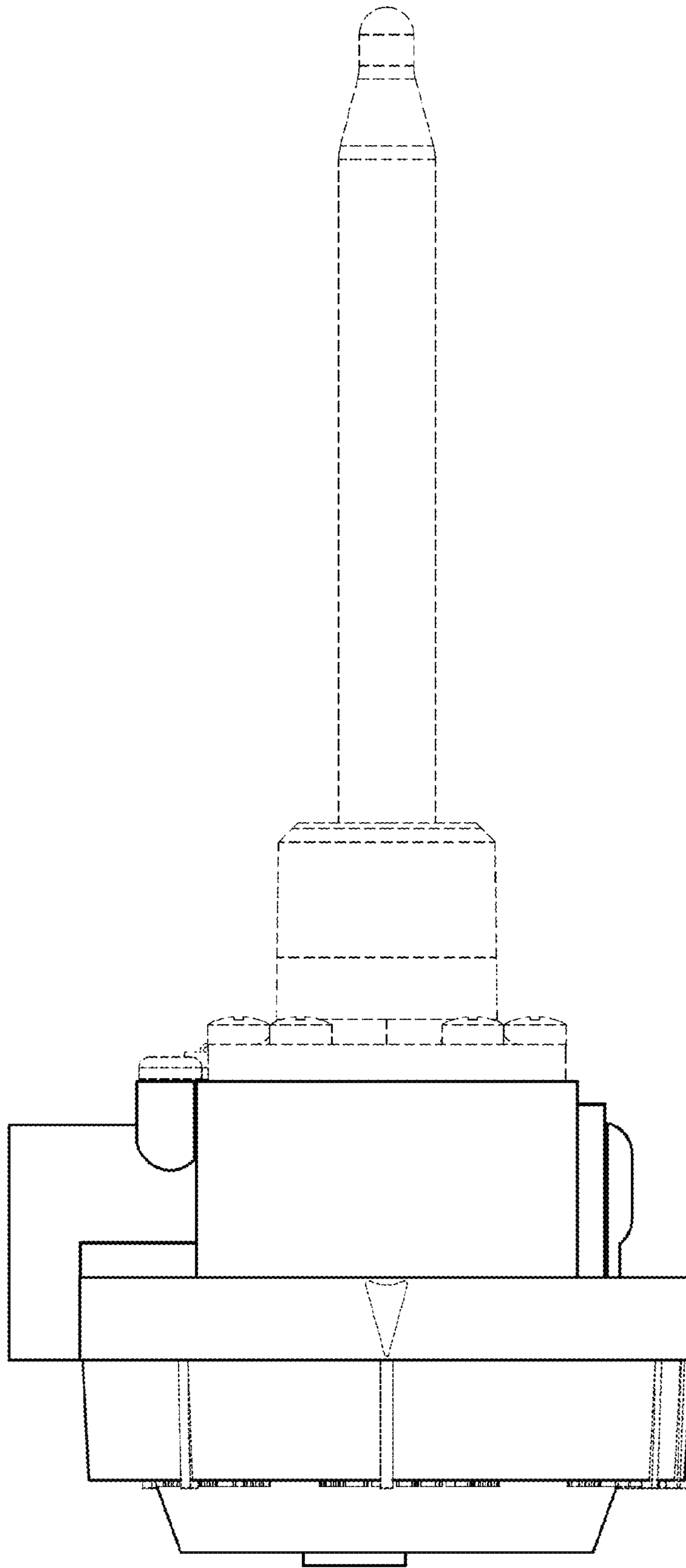


FIG. 3

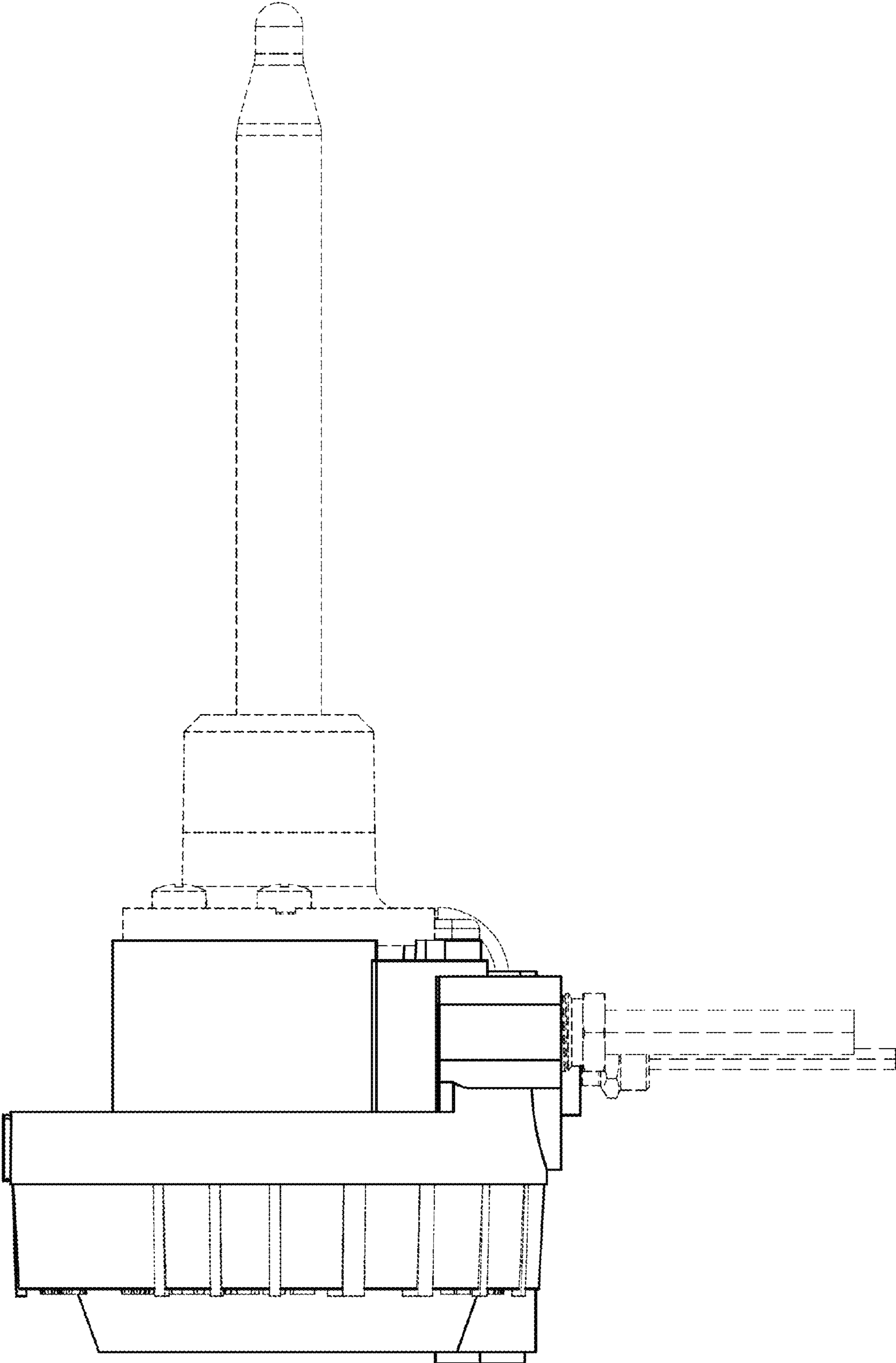


FIG. 4

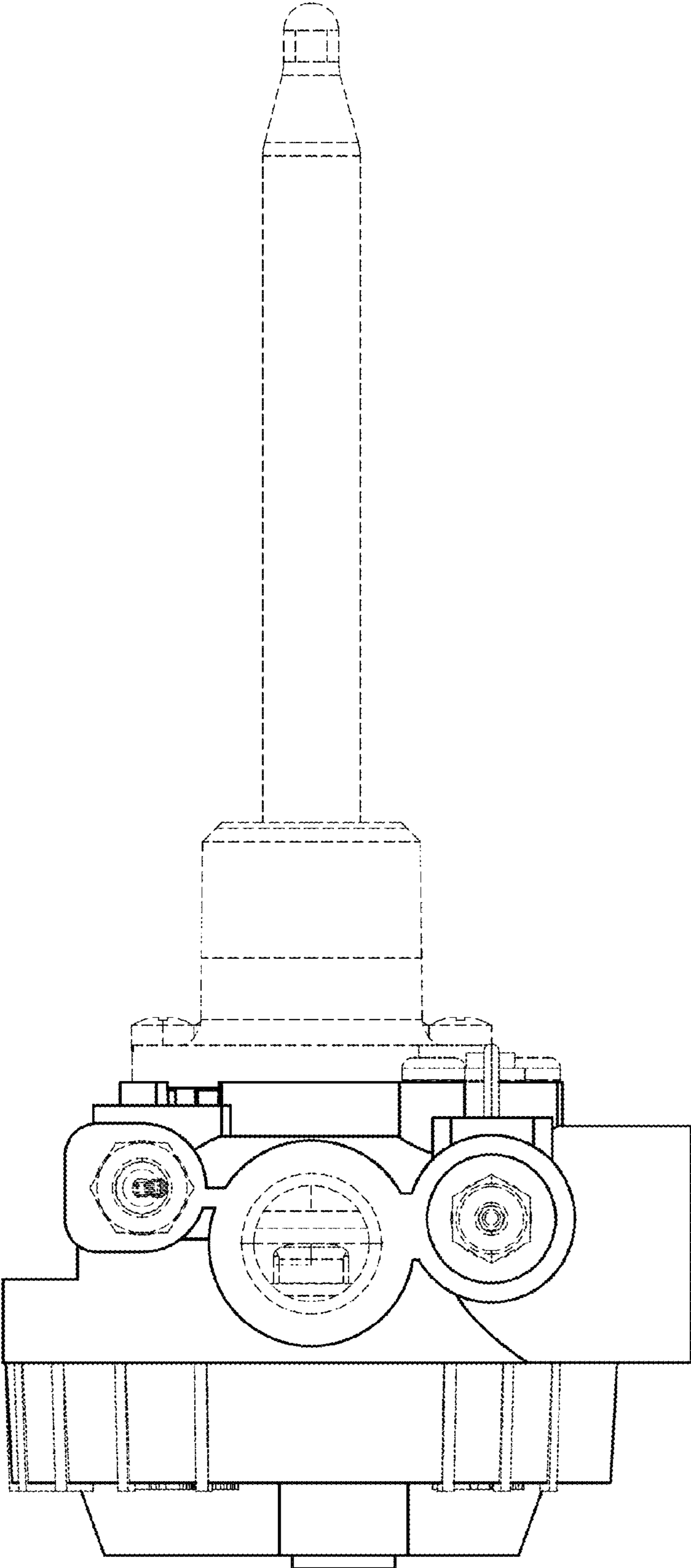


FIG. 5

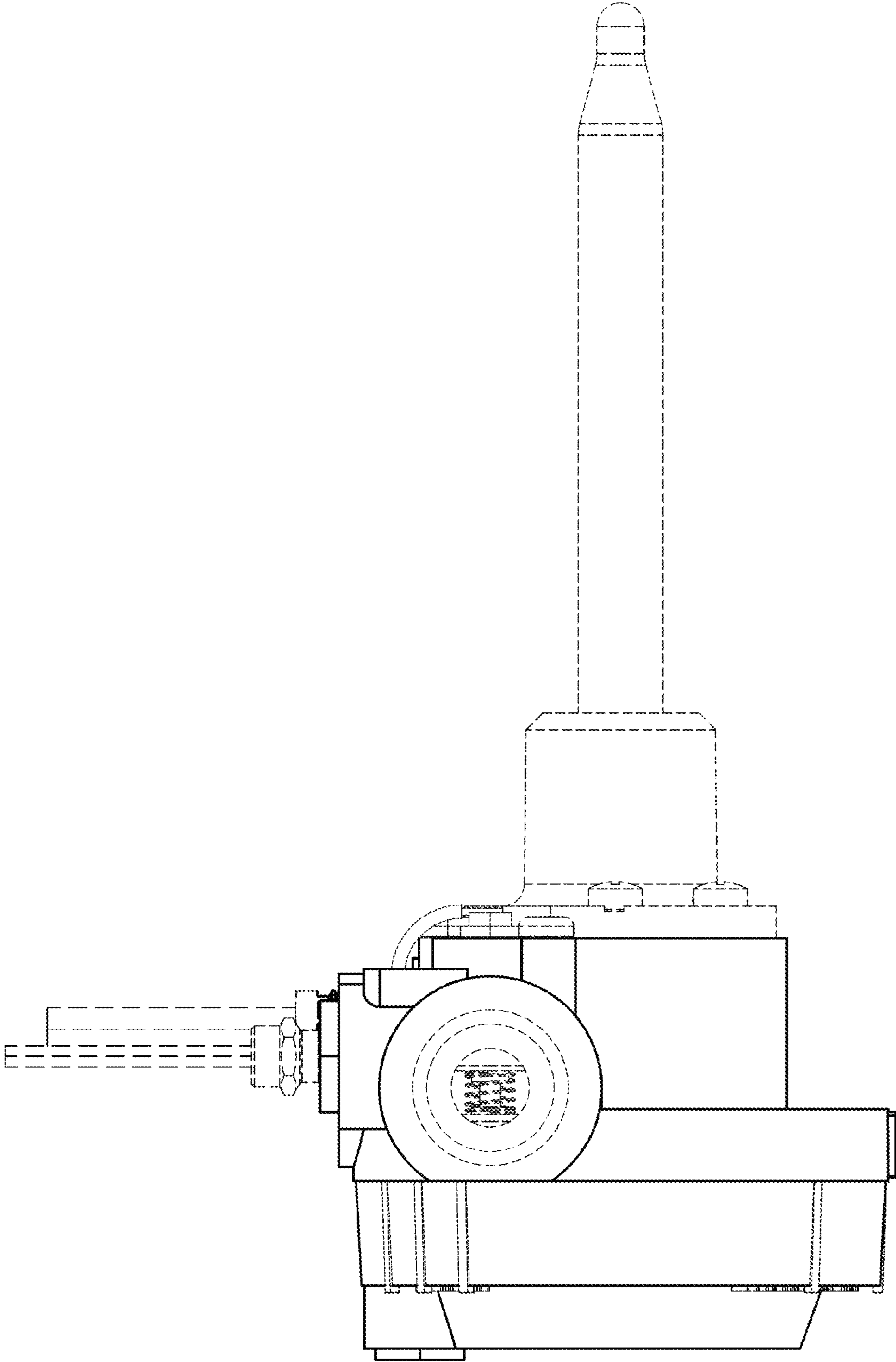


FIG. 6

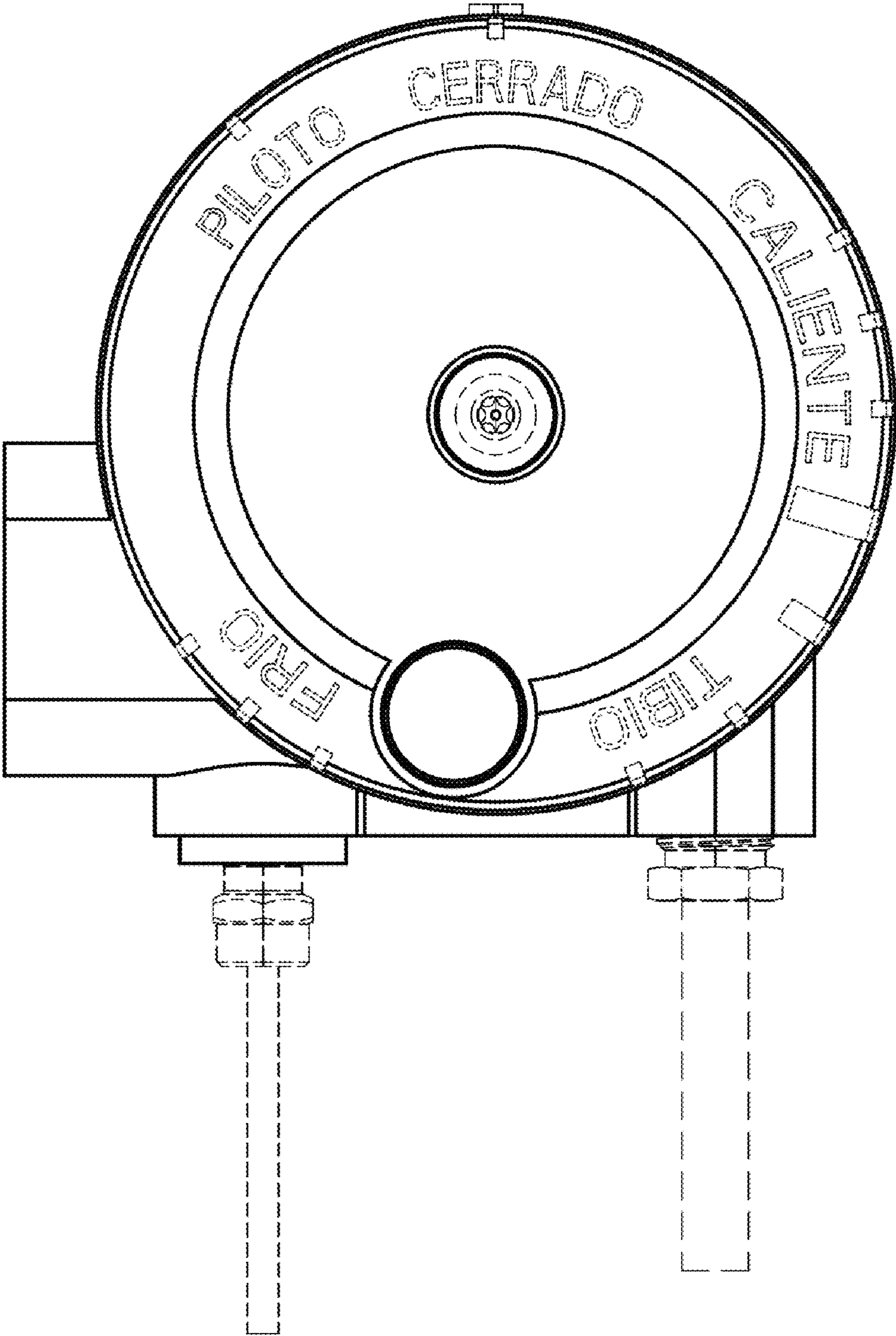


FIG. 7

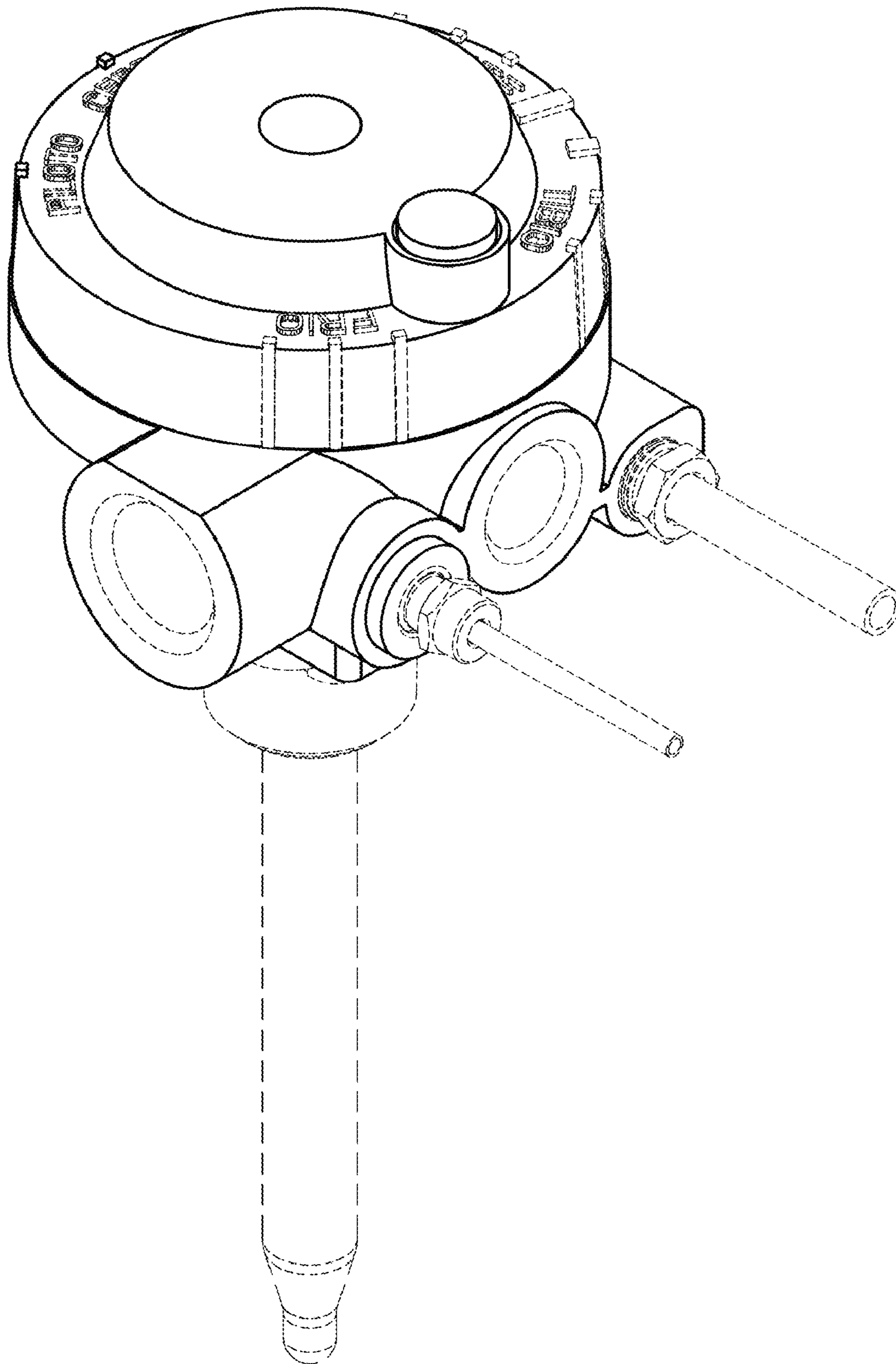


FIG. 8