



US00D675712S

(12) **United States Design Patent**
Berger

(10) **Patent No.:** **US D675,712 S**

(45) **Date of Patent:** **** Feb. 5, 2013**

(54) **HANDHELD SHOWER**

(75) Inventor: **Ryan Berger**, Columbus, OH (US)

(73) Assignee: **Masco Corporation of Indiana**,
Indianapolis, IN (US)

(**) Term: **14 Years**

(21) Appl. No.: **29/418,334**

(22) Filed: **Apr. 16, 2012**

(51) **LOC (9) Cl.** **23-01**

(52) **U.S. Cl.** **D23/223**

(58) **Field of Classification Search** D23/213,
D23/223, 226, 229, 230; 4/615; 239/282,
239/283, 462

See application file for complete search history.

(56) **References Cited**

U.S. PATENT DOCUMENTS

D637,694 S * 5/2011 Lammel et al. D23/213
D642,659 S * 8/2011 Lammel et al. D23/213

* cited by examiner

Primary Examiner — Robin V Webster

(74) *Attorney, Agent, or Firm* — Edgar A. Zarins; Nirav D. Parikh; Lora J. Graentzdoerffer

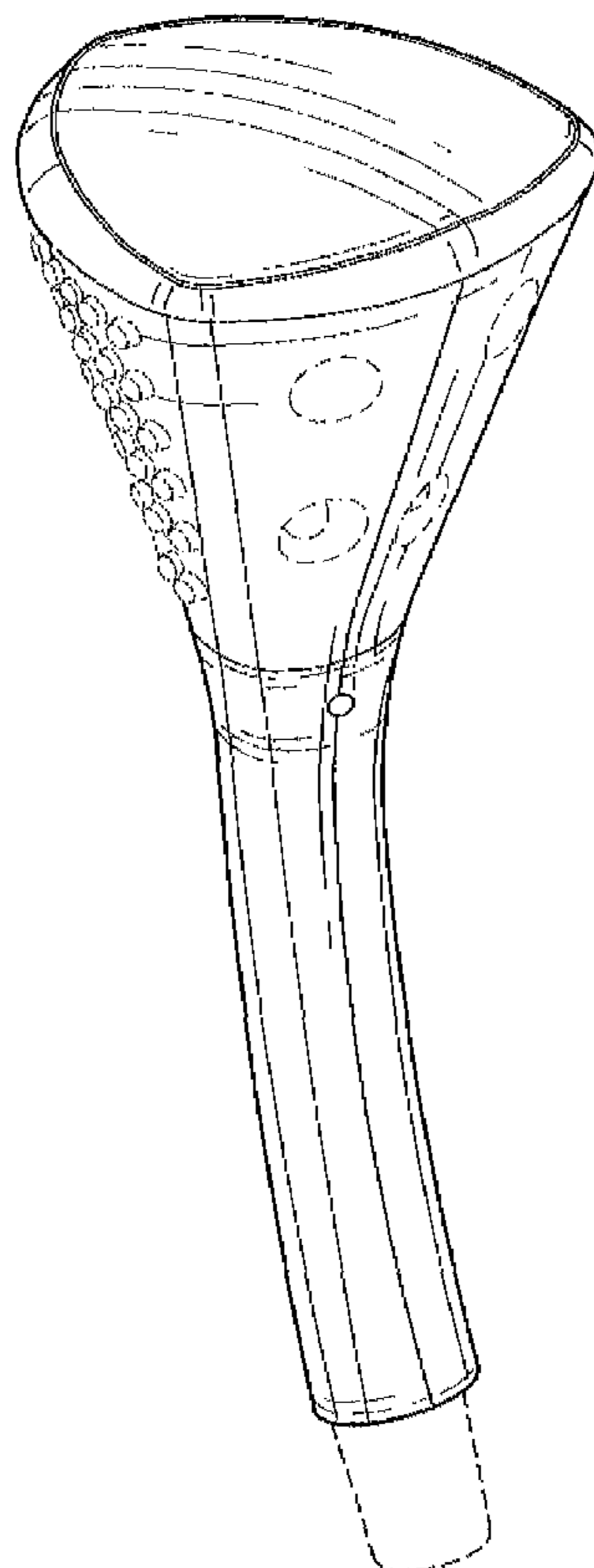
(57) **CLAIM**

The ornamental design for a handheld shower, as shown and described.

DESCRIPTION

FIG. 1 is a perspective view of a handheld shower showing my new design;
FIG. 2 is a top end view thereof;
FIG. 3 is a first side view thereof;
FIG. 4 is a bottom view thereof;
FIG. 5 is a second side view thereof;
FIG. 6 is a third side view thereof;
FIG. 7 is a fourth side view thereof;
FIG. 8 is a perspective view of an alternative embodiment of the design;
FIG. 9 is a top end view thereof;
FIG. 10 is a first side view thereof;
FIG. 11 is a bottom end view thereof;
FIG. 12 is a second side view thereof;
FIG. 13 is a third side view thereof; and,
FIG. 14 is a fourth side view thereof.
The broken line showing is included for the purpose of illustrating and forms no part of the claimed design.

1 Claim, 4 Drawing Sheets



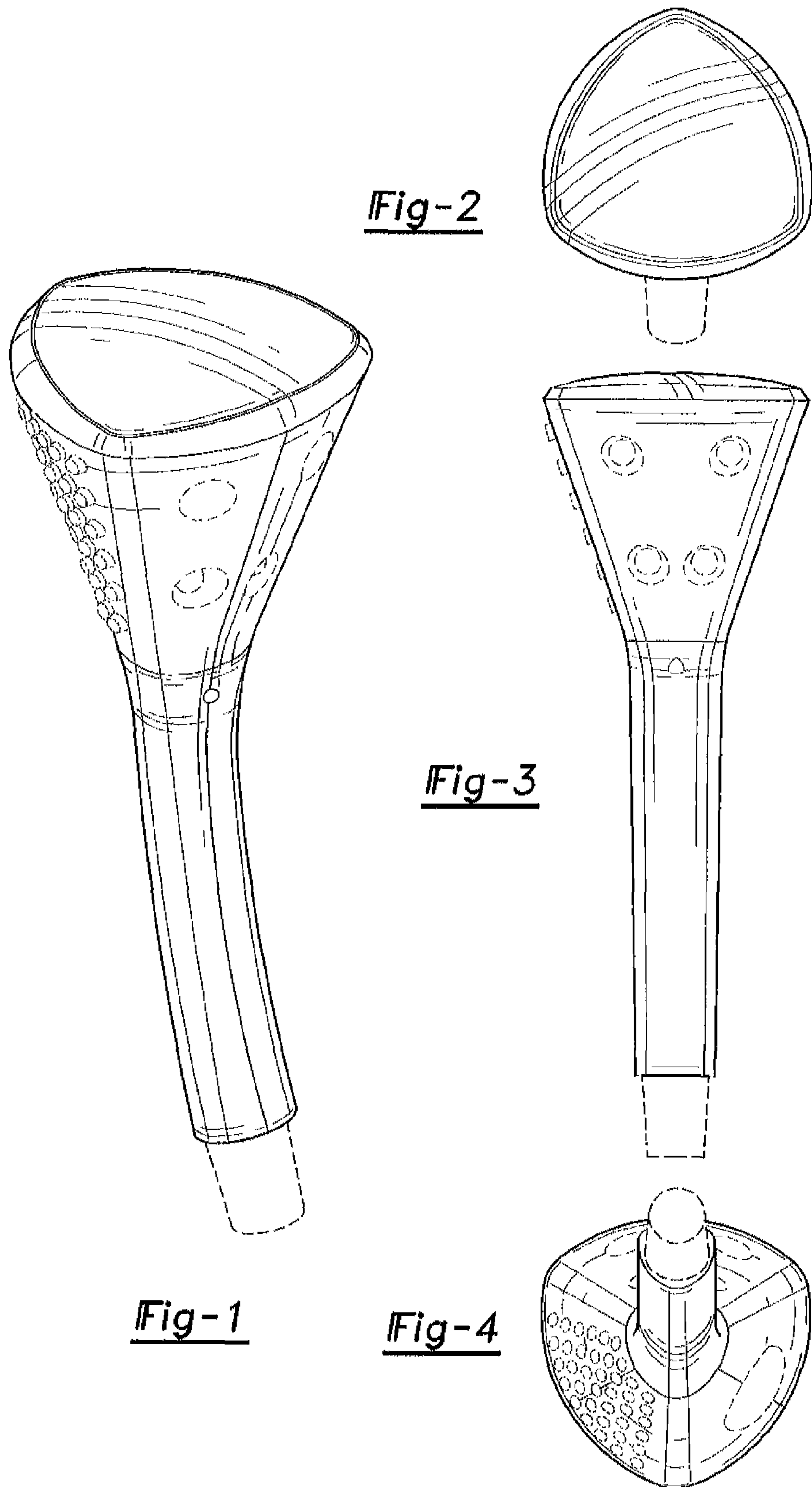


Fig-2

Fig-3

Fig-1

Fig-4

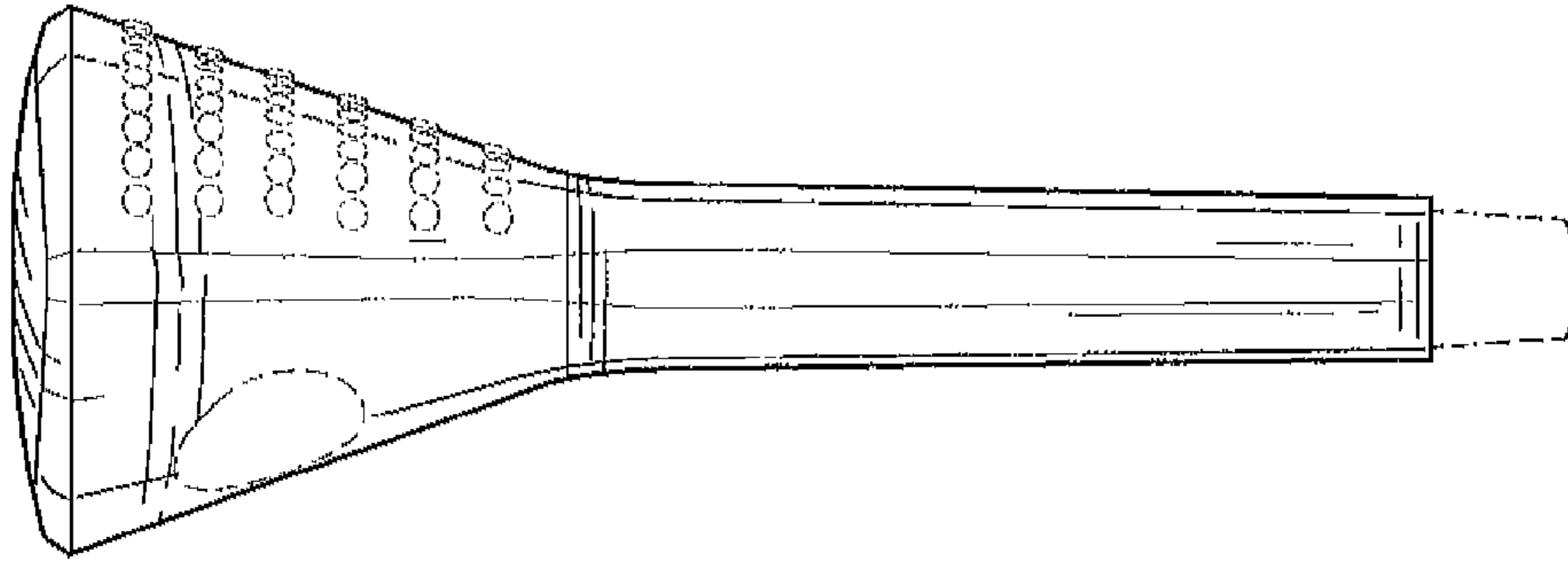


Fig-7

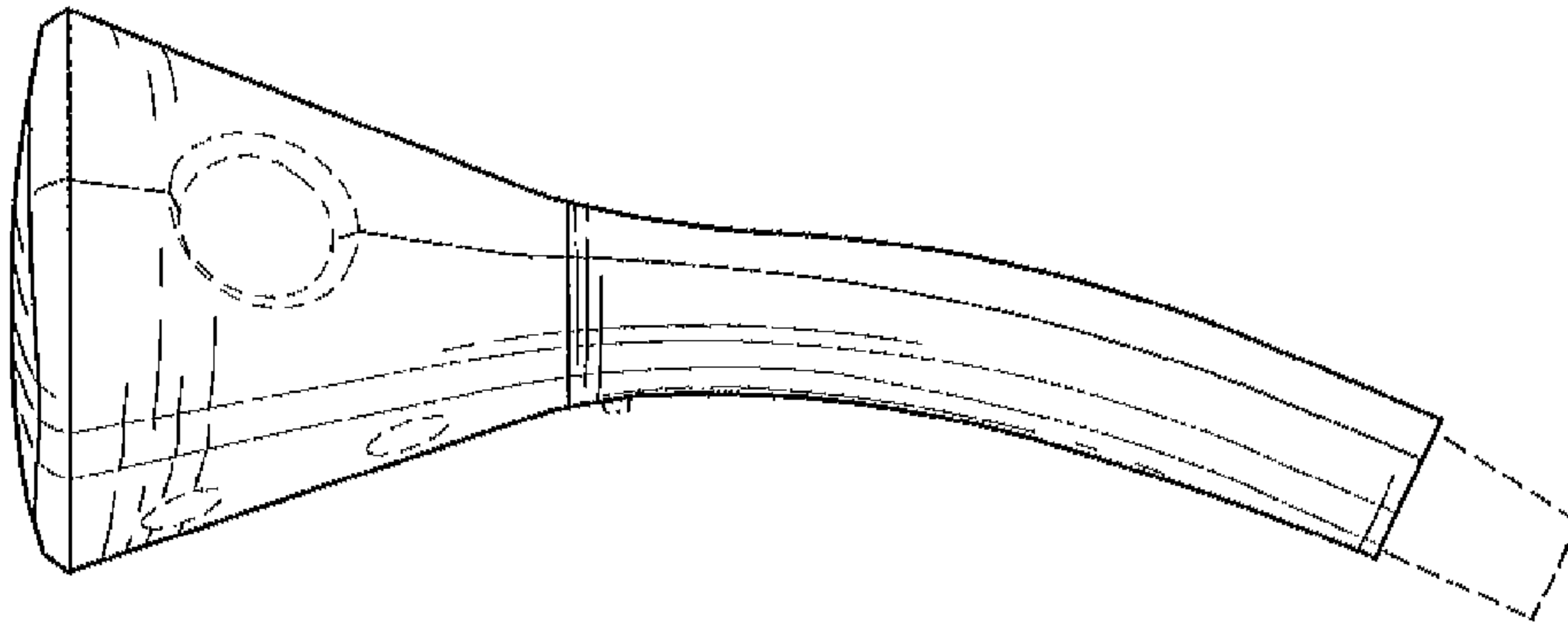


Fig-6

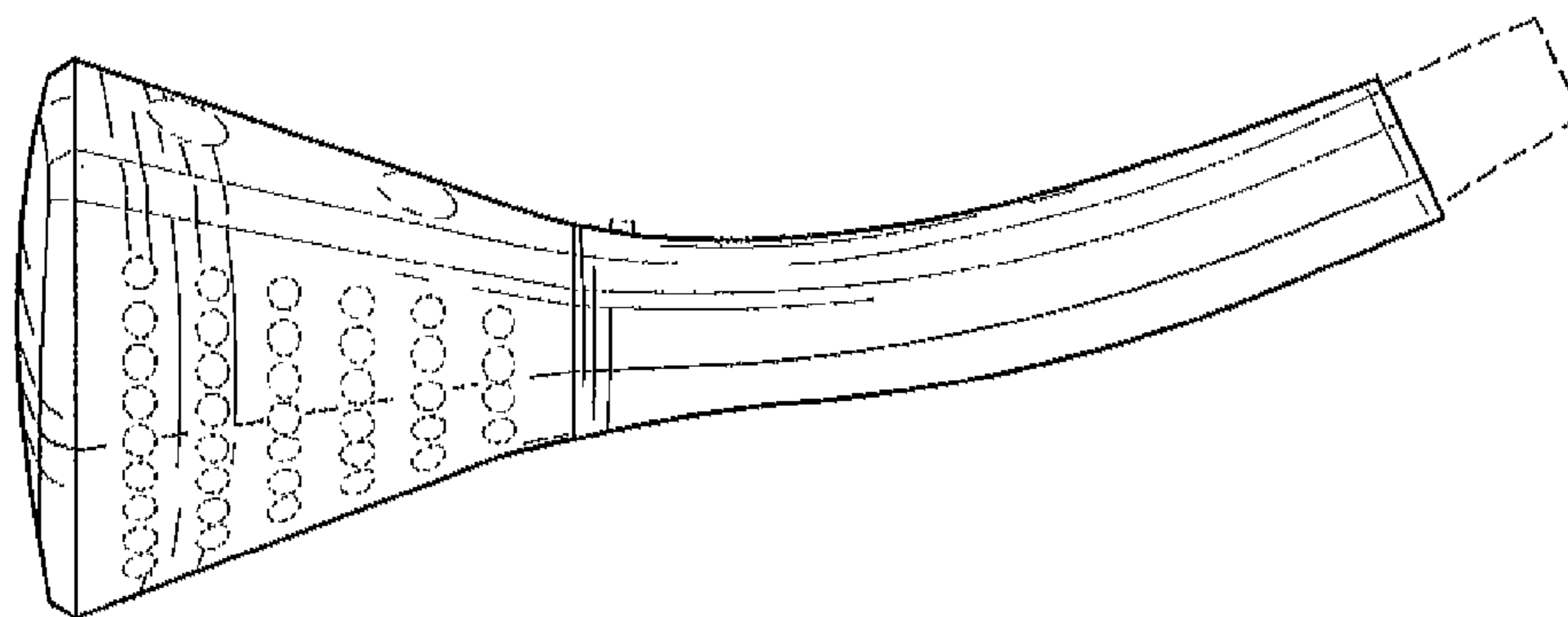
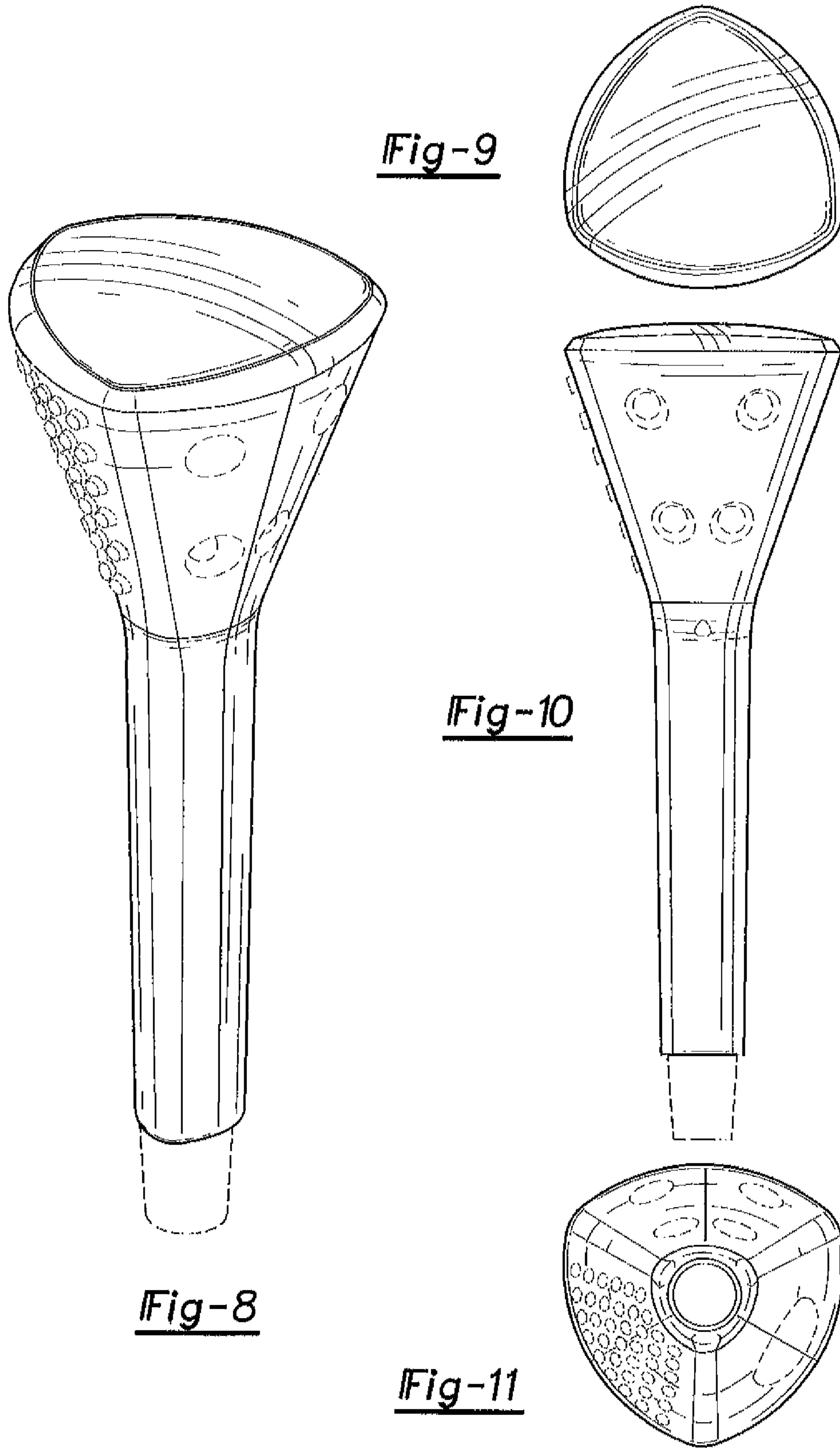


Fig-5



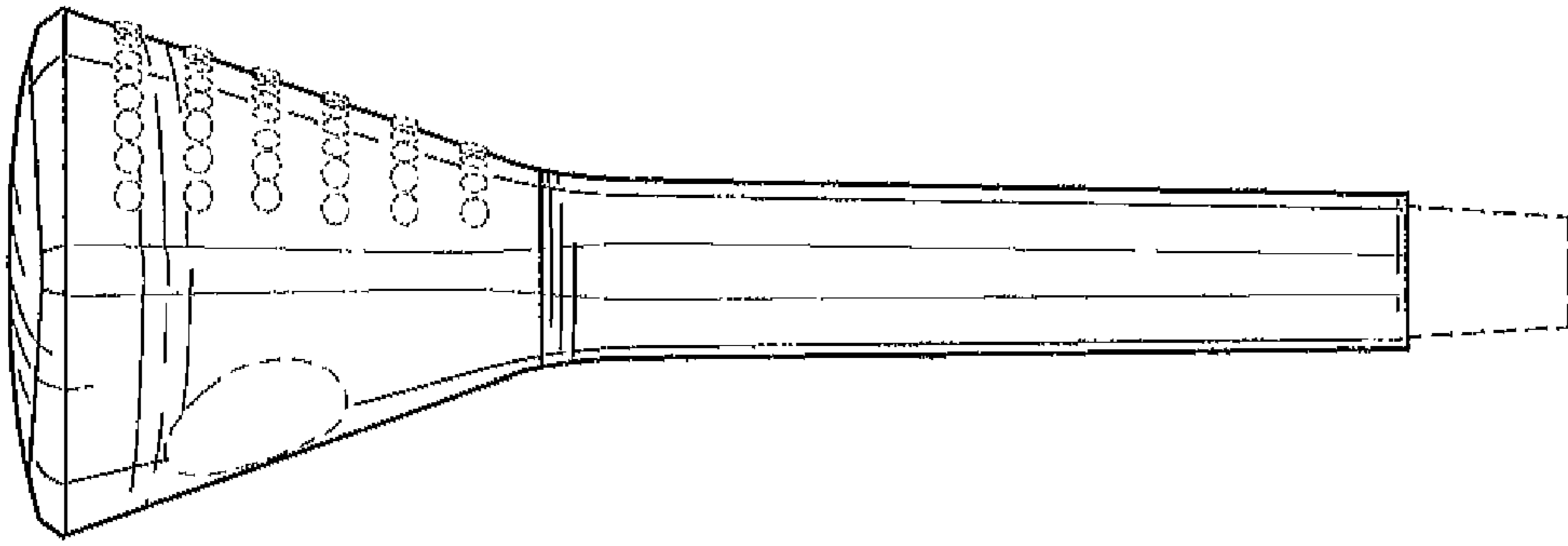


Fig-14

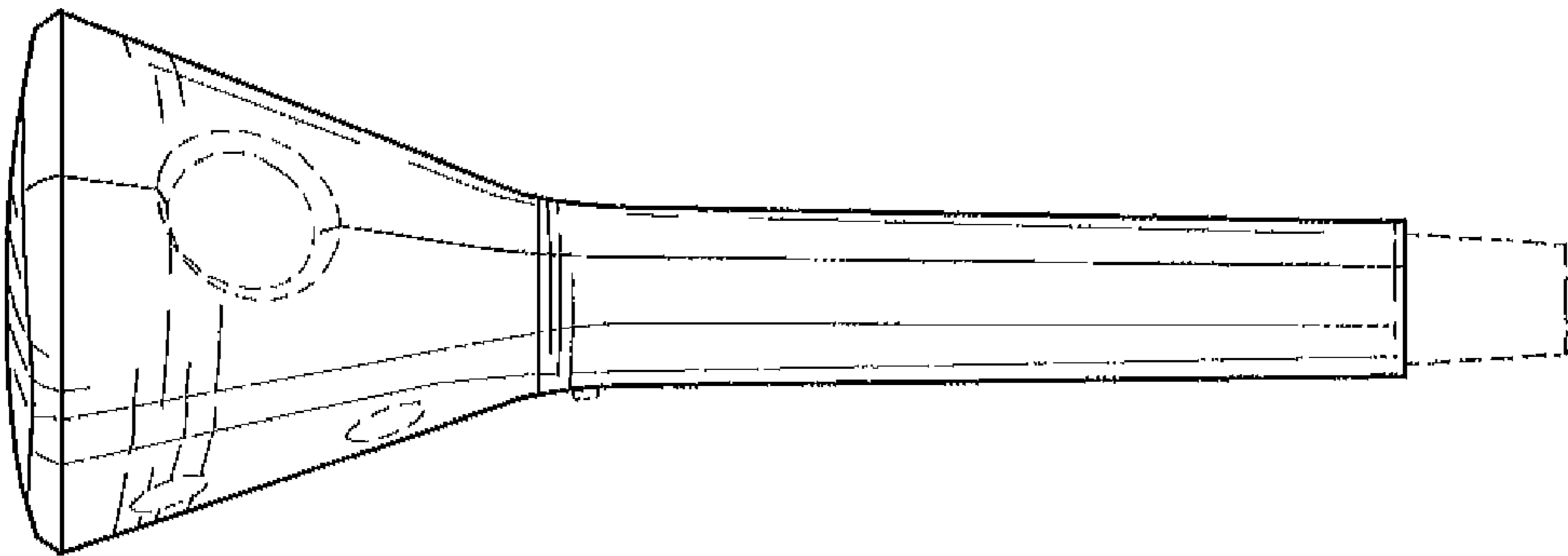


Fig-13

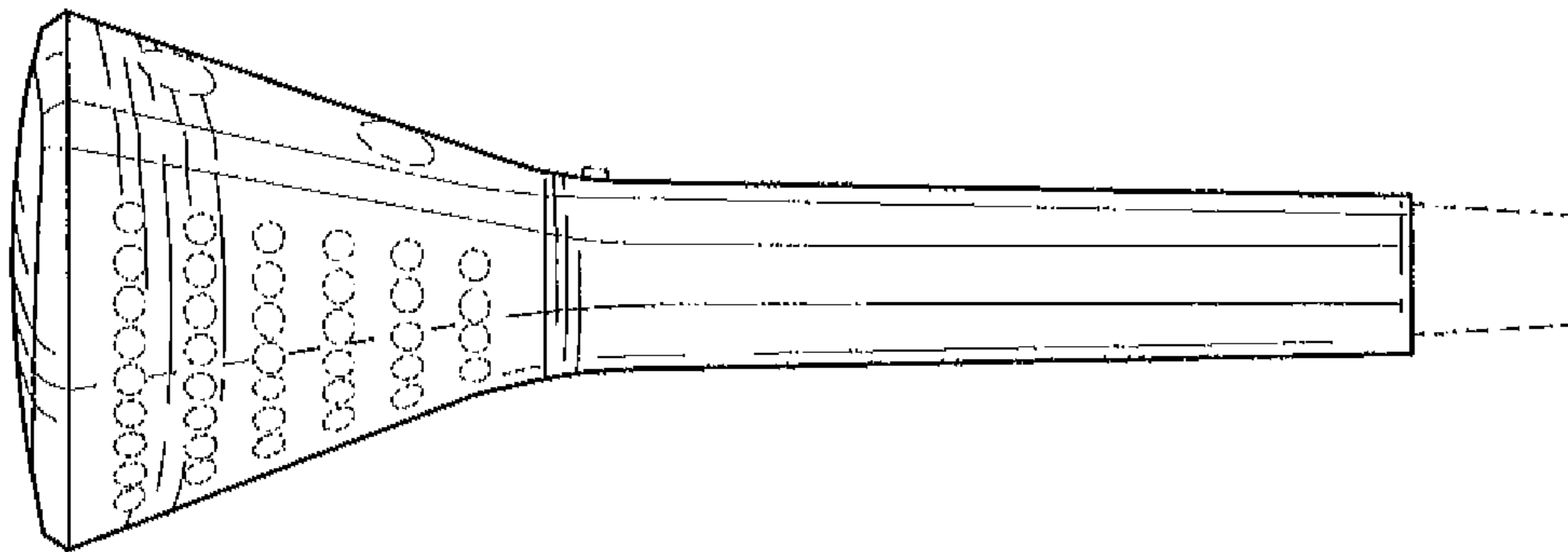


Fig-12