



US00D675711S

(12) **United States Design Patent**
Chibitty

(10) **Patent No.:** **US D675,711 S**

(45) **Date of Patent:** **** Feb. 5, 2013**

(54) **SHOWER**

D621,905 S * 8/2010 Yoo et al. D23/213

(75) Inventor: **Rachelle Chibitty**, Lafayette, IN (US)

* cited by examiner

(73) Assignee: **Masco Corporation of Indiana**,
Indianapolis, IN (US)

Primary Examiner — Robin V Webster

(74) *Attorney, Agent, or Firm* — Edgar A. Zarins; Nirav D. Parikh; Lora J. Graentzdoerffer

(**) Term: **14 Years**

(57) **CLAIM**

(21) Appl. No.: **29/418,548**

The ornamental design for a shower, as shown and described.

(22) Filed: **Apr. 18, 2012**

DESCRIPTION

(51) **LOC (9) Cl.** **23-01**

(52) **U.S. Cl.** **D23/213**

(58) **Field of Classification Search** D23/213,
D23/223, 226, 229, 230; 4/615; 239/282,
239/283, 462

See application file for complete search history.

FIG. 1 is a perspective view of a shower showing my new design;

FIG. 2 is a front view thereof;

FIG. 3 is a top view thereof;

FIG. 4 is a bottom view thereof;

FIG. 5 is a first side view thereof;

FIG. 6 is a second side view thereof; and,

FIG. 7 is a rear view thereof.

The broken line showing is included for the purpose of illustrating and forms no part of the claimed design.

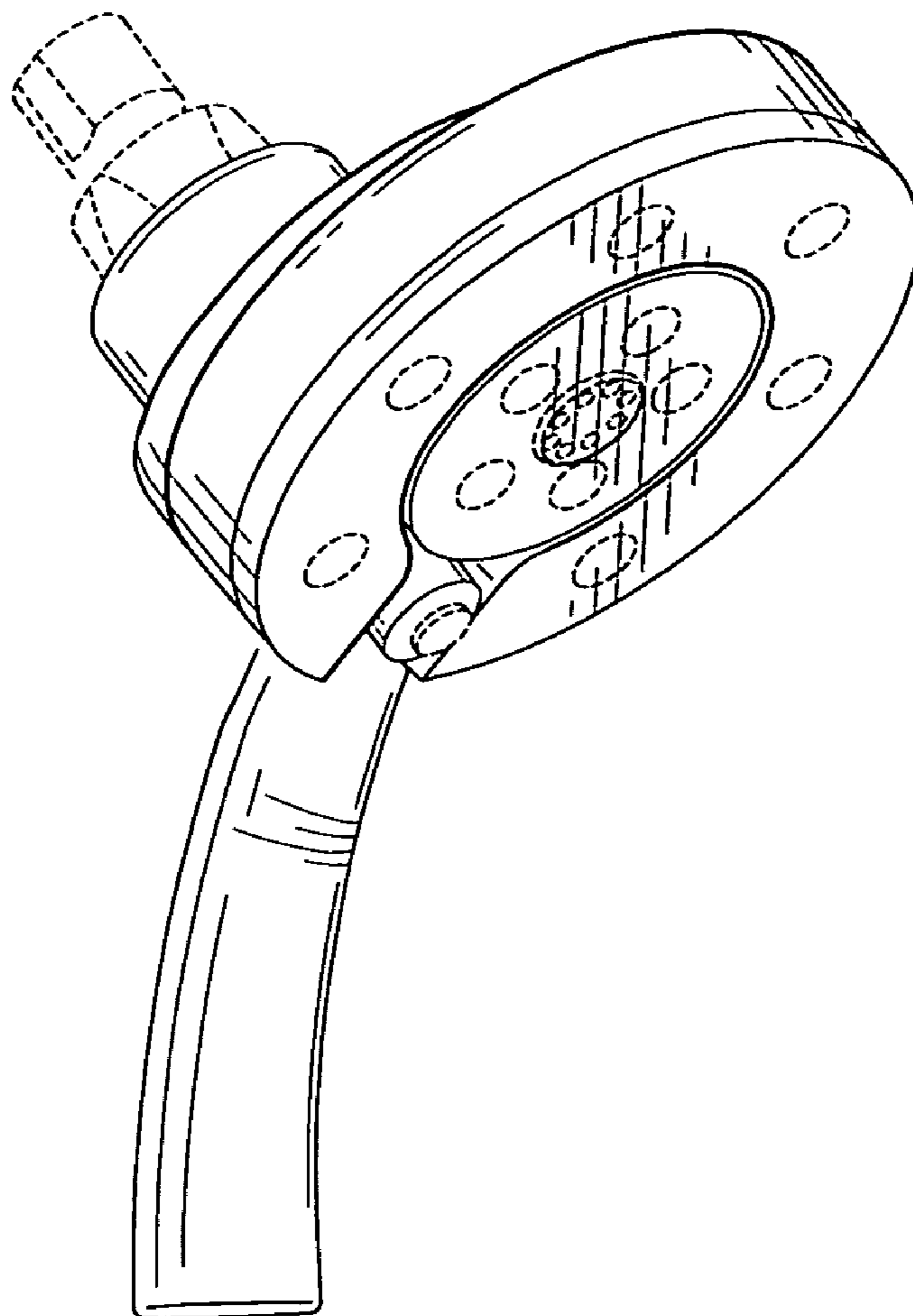
(56) **References Cited**

U.S. PATENT DOCUMENTS

D556,294 S * 11/2007 Wroblewski et al. D23/223

D621,904 S * 8/2010 Yoo et al. D23/213

1 Claim, 2 Drawing Sheets



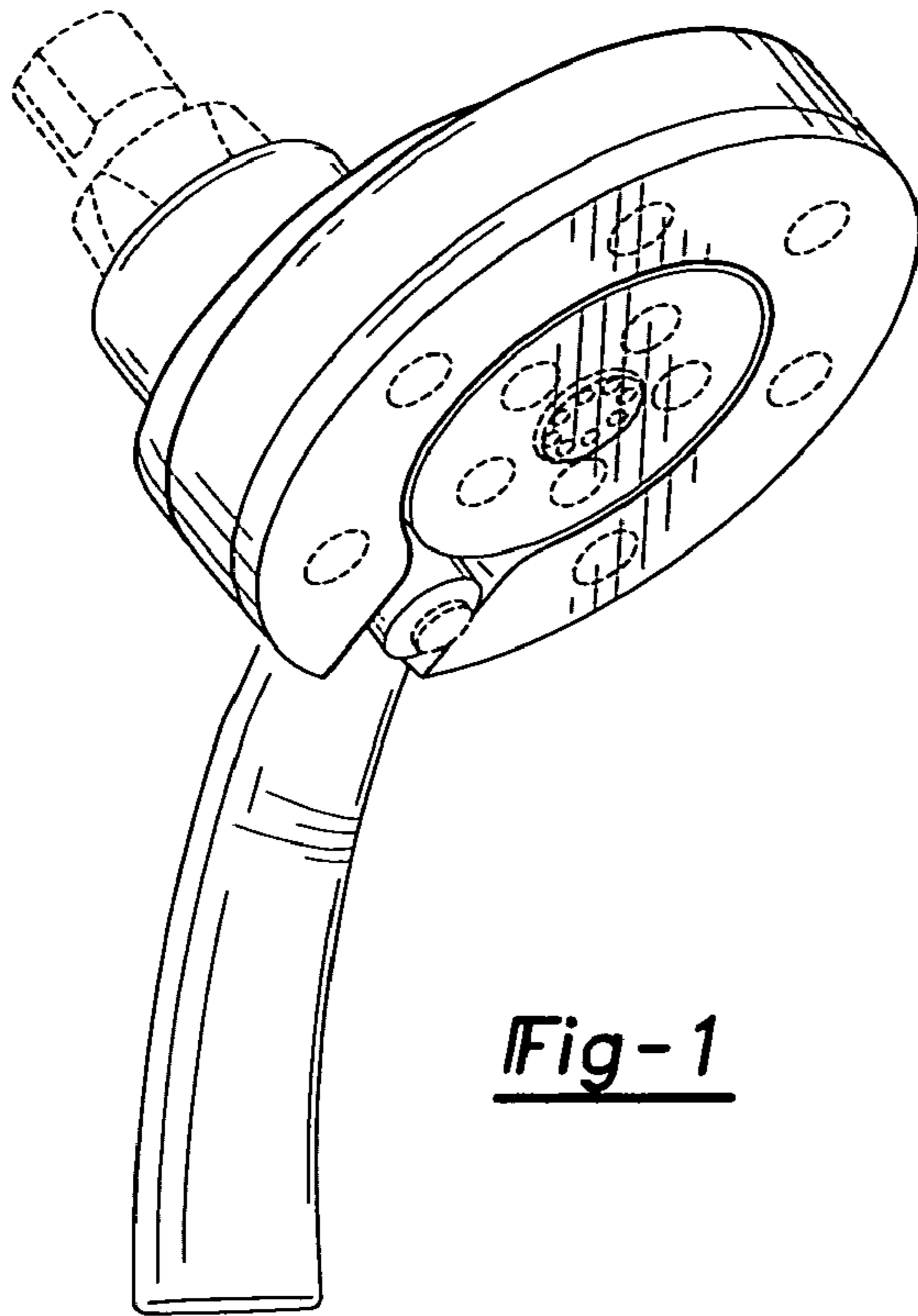


Fig-1

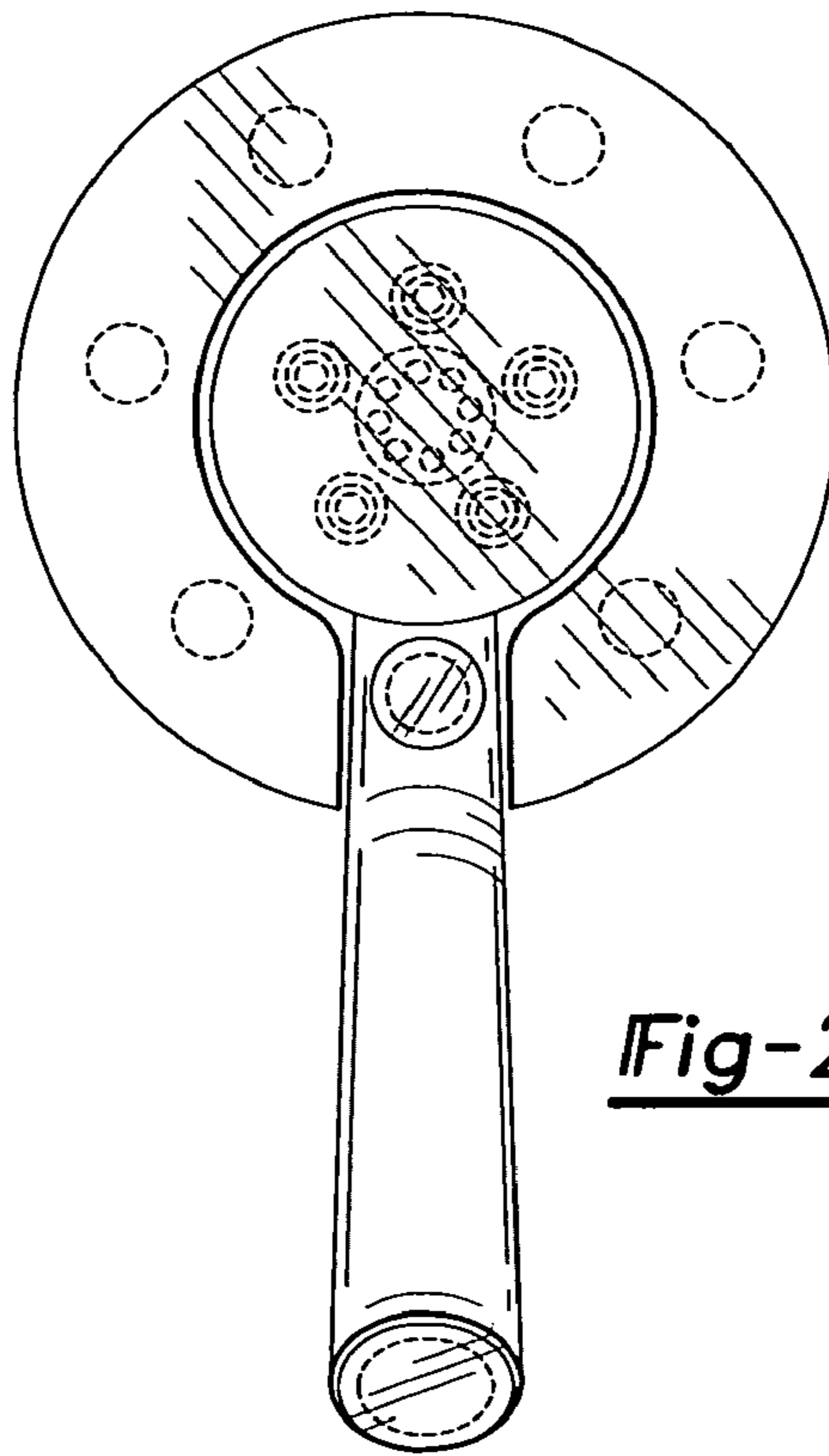


Fig-2

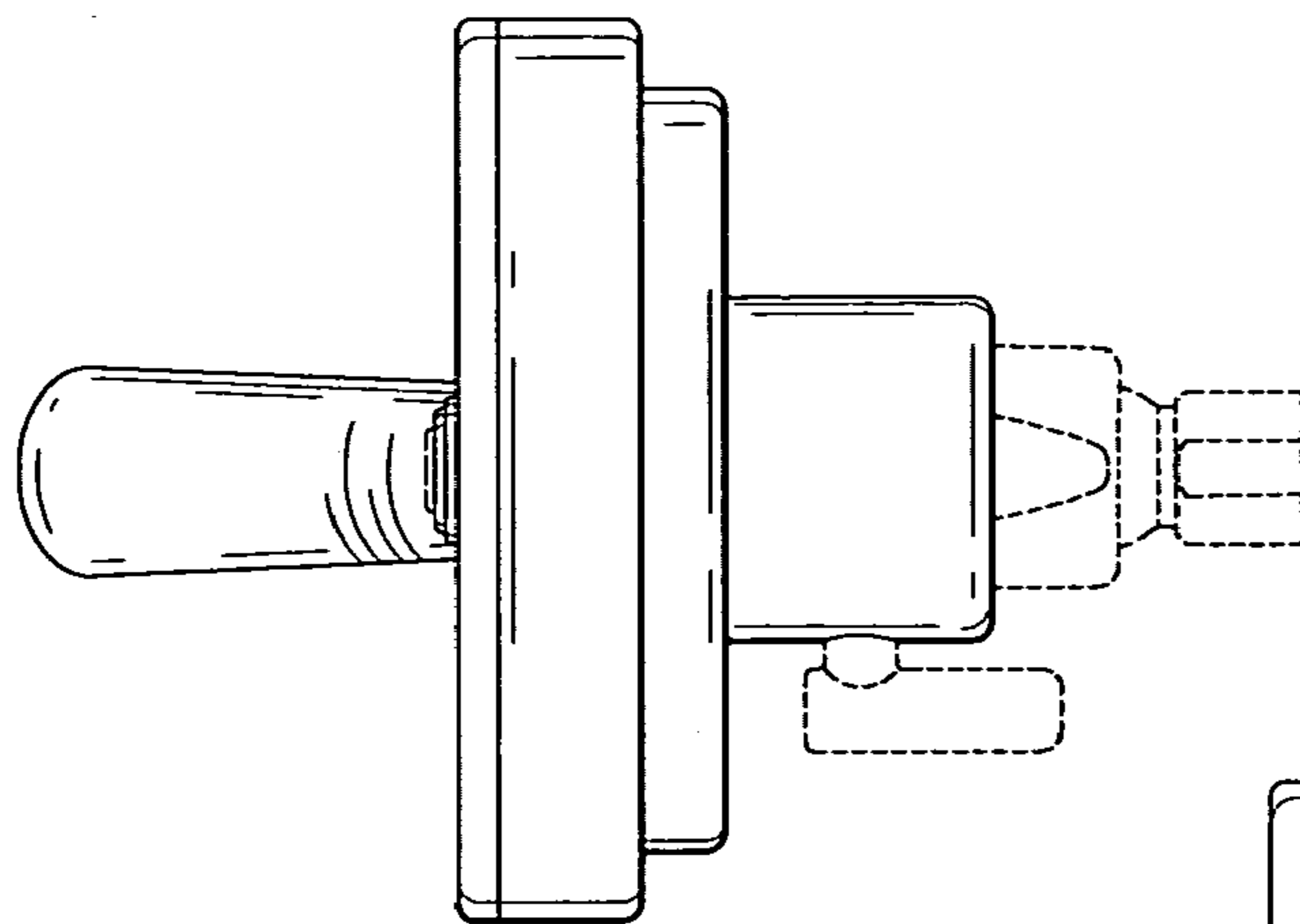


Fig-3

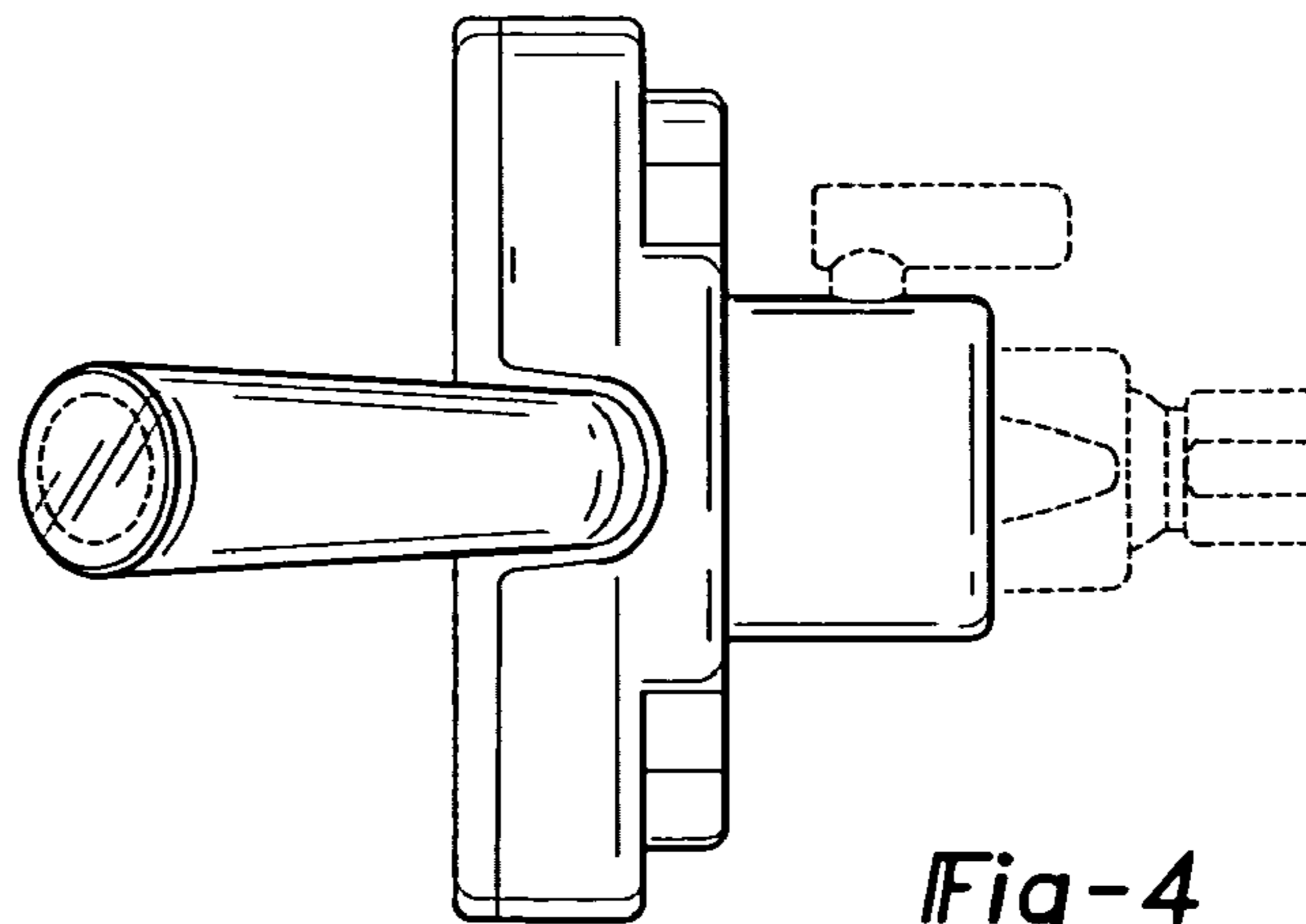


Fig-4

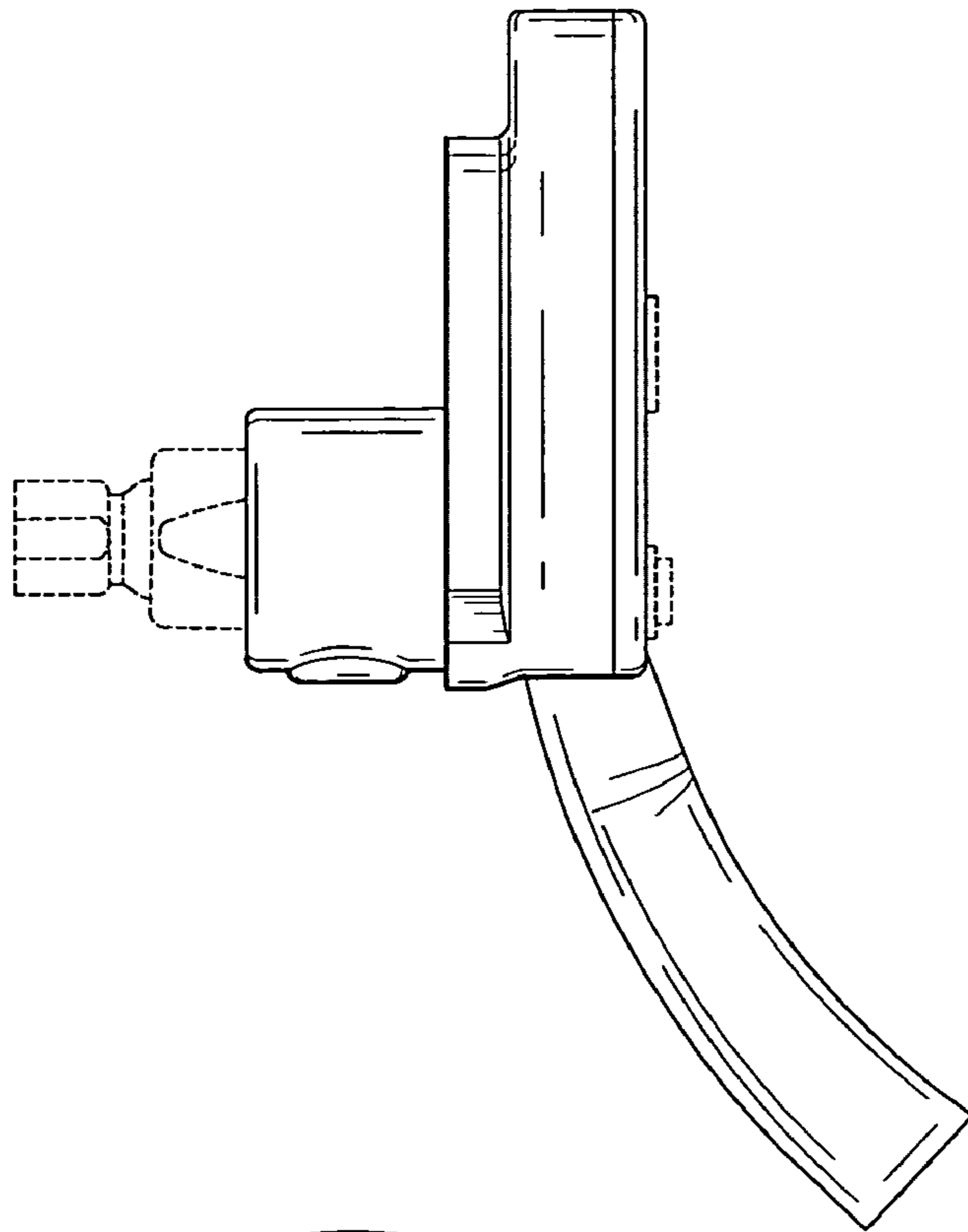


Fig-5

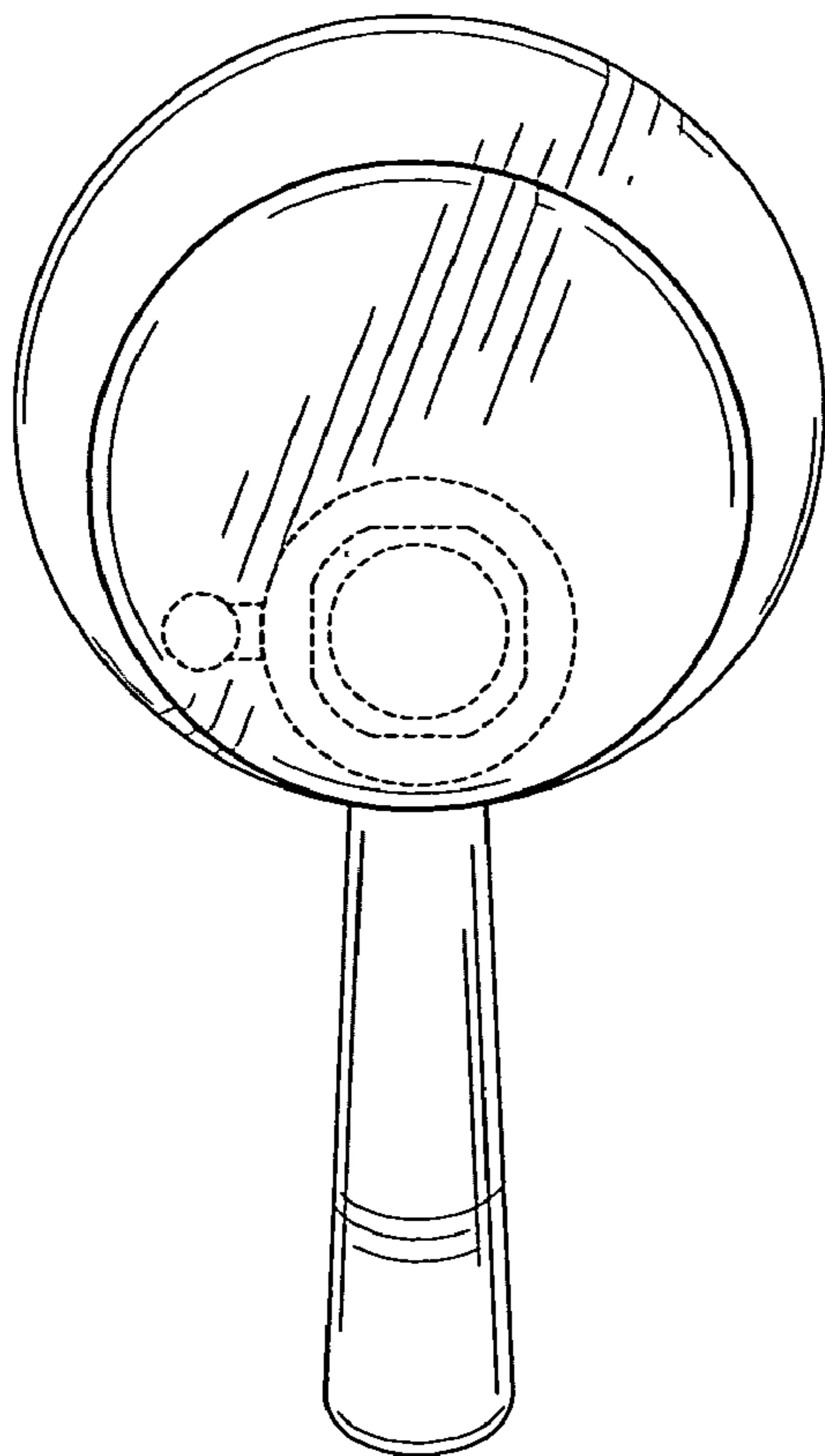


Fig-7

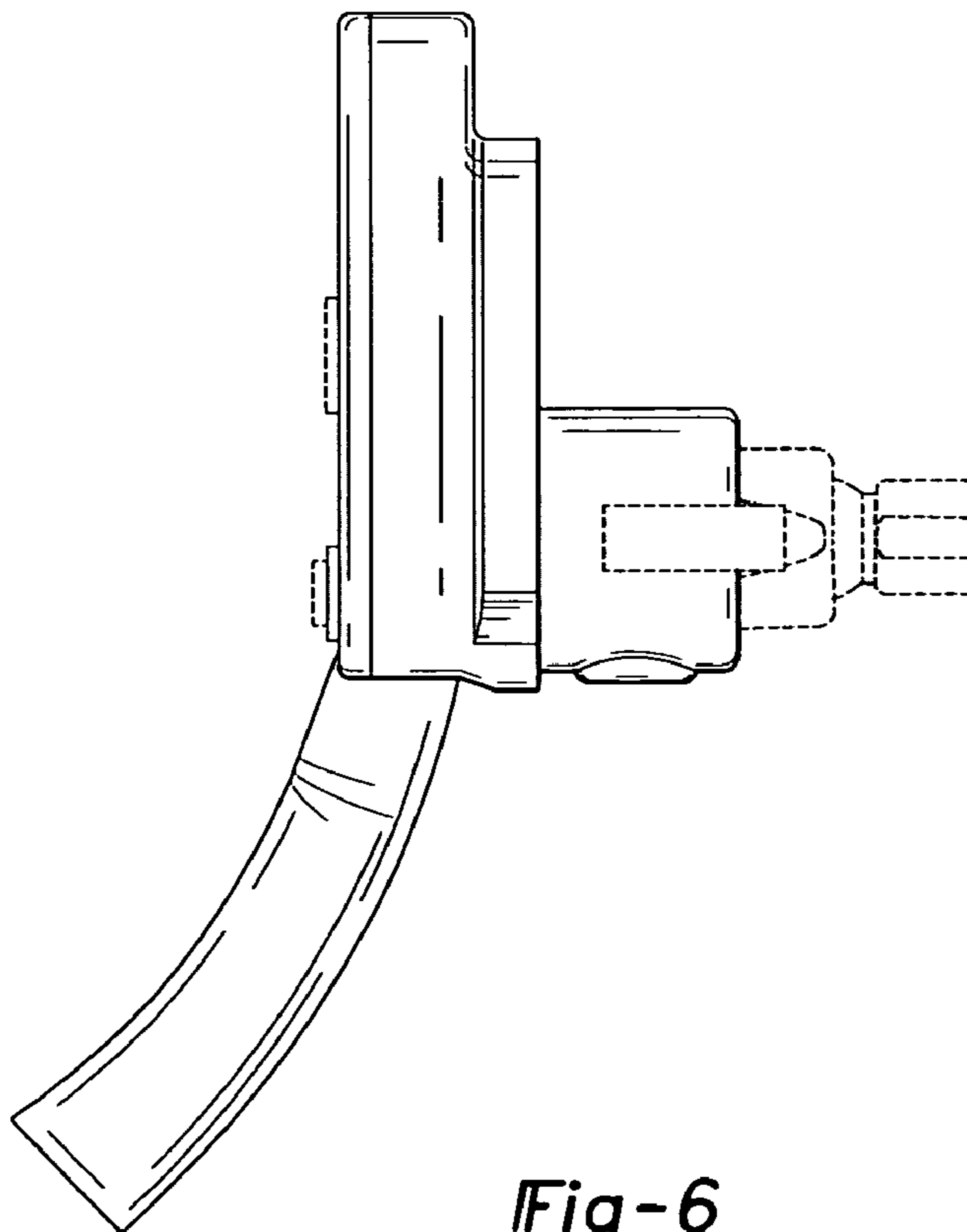


Fig-6