



US00D675709S

(12) **United States Design Patent**
Mendoza et al.

(10) **Patent No.:** **US D675,709 S**

(45) **Date of Patent:** **** Feb. 5, 2013**

(54) **SHOWER HEAD**

(75) Inventors: **Lea Mari Mendoza**, Morrow, GA (US);
Steven Chen, Morrow, GA (US);
Mitsuya Obara, Morrow, GA (US)

(73) Assignee: **Toto Ltd.** (JP)

(**) Term: **14 Years**

(21) Appl. No.: **29/415,241**

(22) Filed: **Mar. 8, 2012**

(51) **LOC (9) Cl.** **23-01**

(52) **U.S. Cl.** **D23/213**

(58) **Field of Classification Search** D23/213,
D23/223, 229, 230; 239/282, 283; 4/615
See application file for complete search history.

(56) **References Cited**

U.S. PATENT DOCUMENTS

D487,915 S * 3/2004 Egee D23/229
D559,953 S * 1/2008 Bickler et al. D23/229
D565,155 S * 3/2008 Mullenmeister et al. D23/229

D607,970 S * 1/2010 Schoenherr et al. D23/213
D612,010 S * 3/2010 Schoenherr et al. D23/213
D621,474 S * 8/2010 Kwok D23/223

* cited by examiner

Primary Examiner — Robin V Webster

(74) *Attorney, Agent, or Firm* — Banner & Witcoff, Ltd.

(57) **CLAIM**

The ornamental design for a shower head, as shown and described.

DESCRIPTION

FIG. 1 is a perspective view of front, top and right side of a shower head according to our new design;

FIG. 2 is a front view thereof;

FIG. 3 is a rear view thereof;

FIG. 4 is a left side view thereof;

FIG. 5 is a right side view thereof;

FIG. 6 is a top view thereof; and,

FIG. 7 is a bottom view thereof.

The portions of the article in broken lines are shown for illustrative purposes only and form no part of the claimed design.

1 Claim, 6 Drawing Sheets

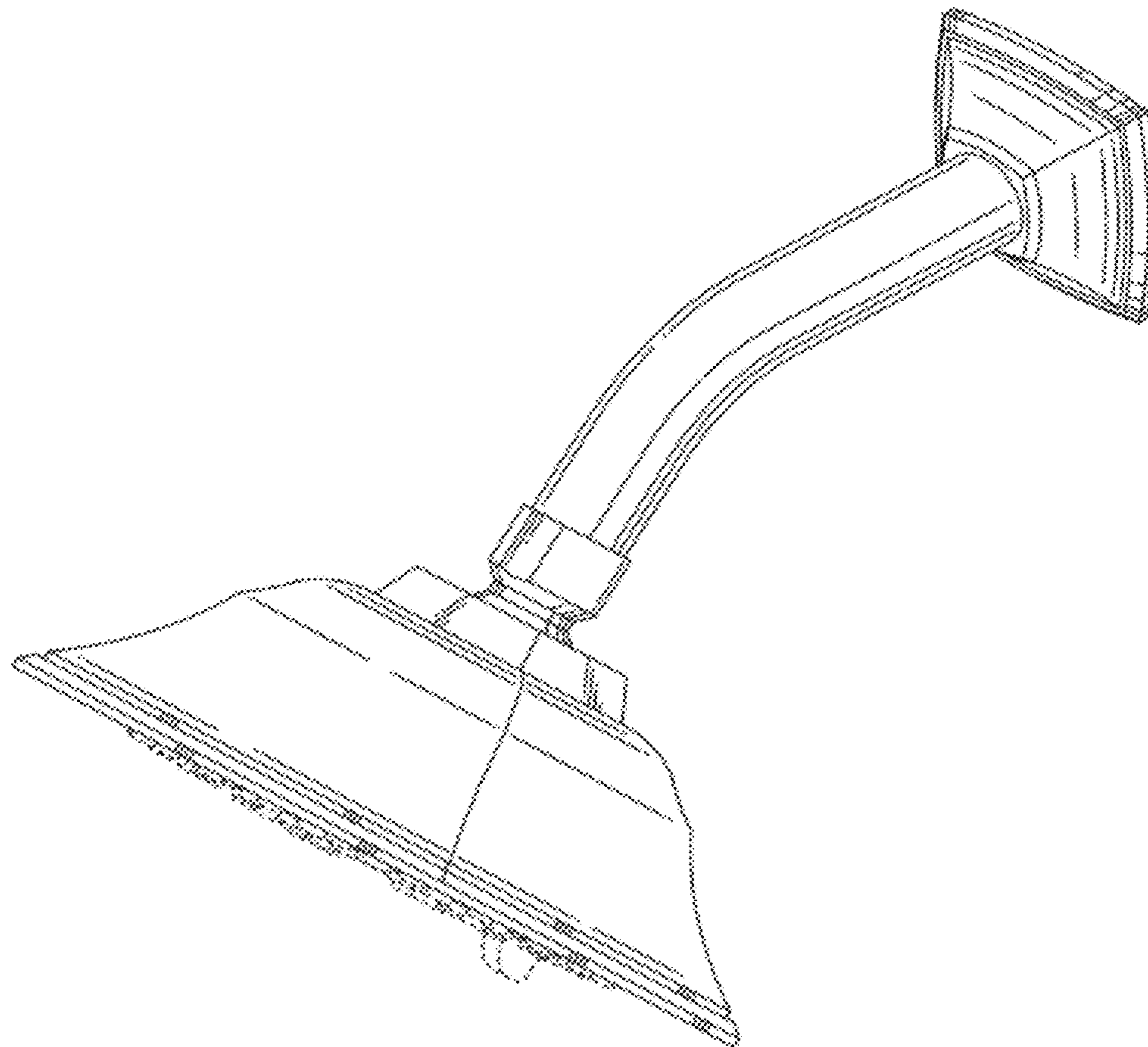


Fig. 1

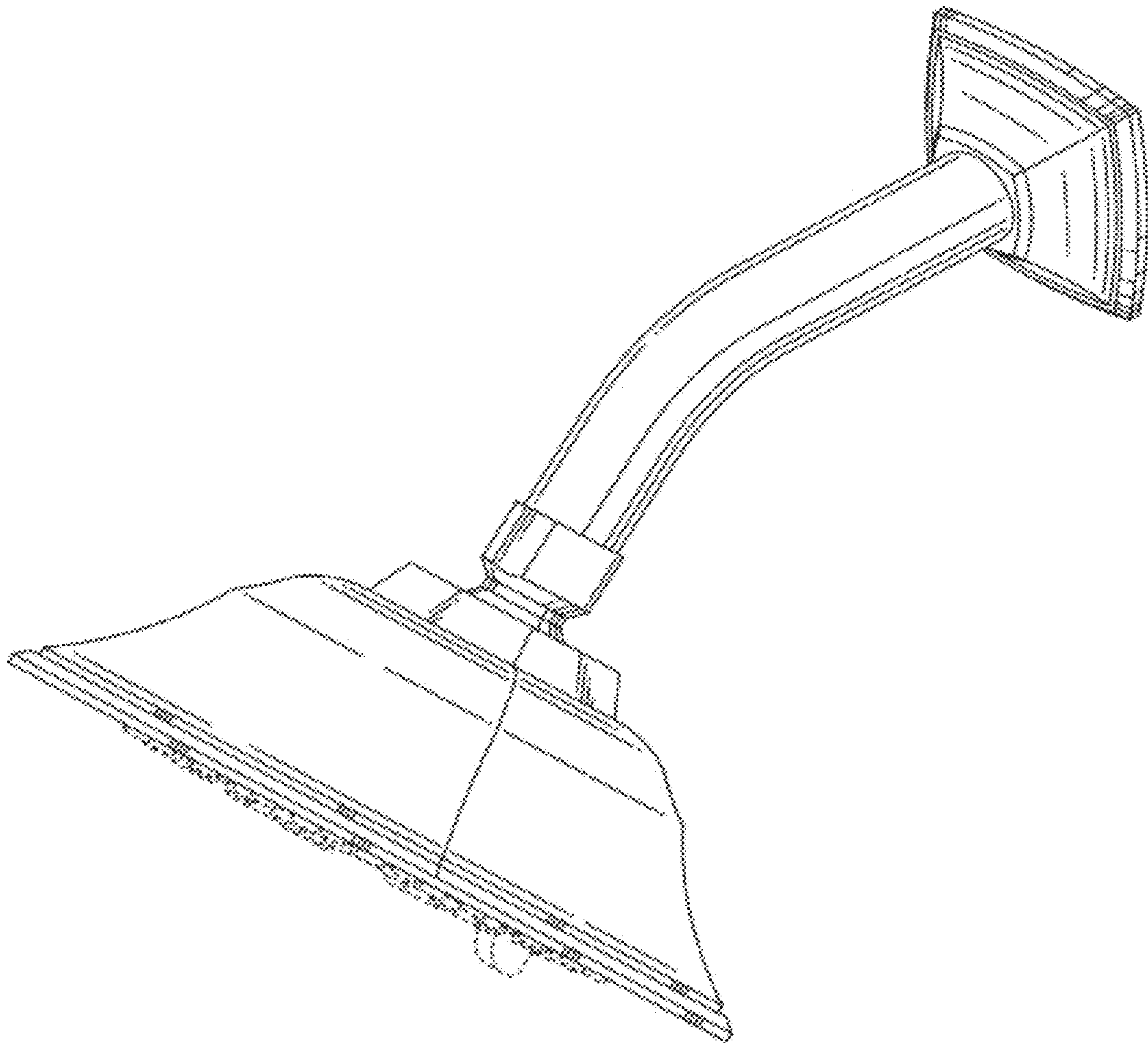


Fig. 2

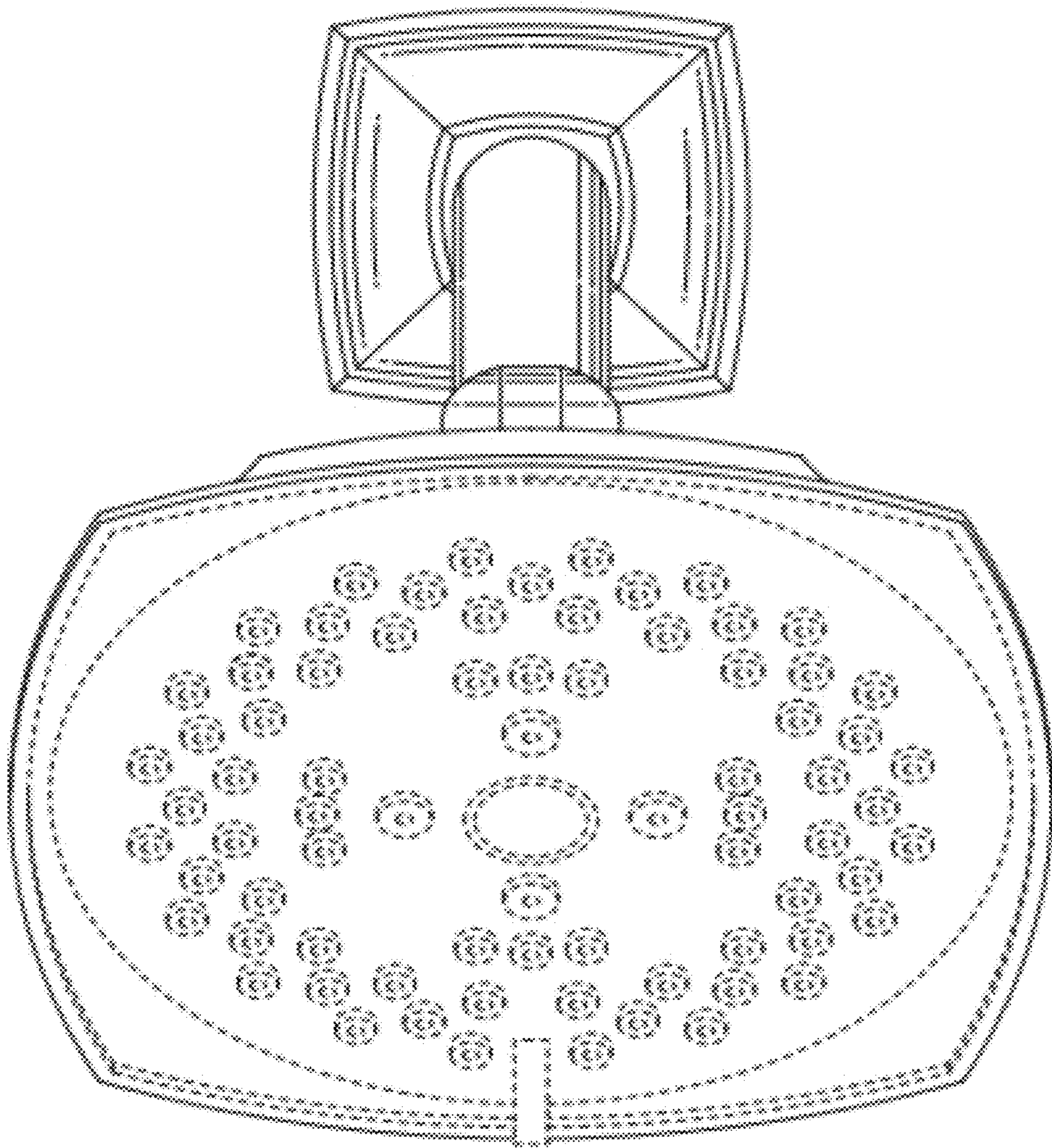


Fig. 3

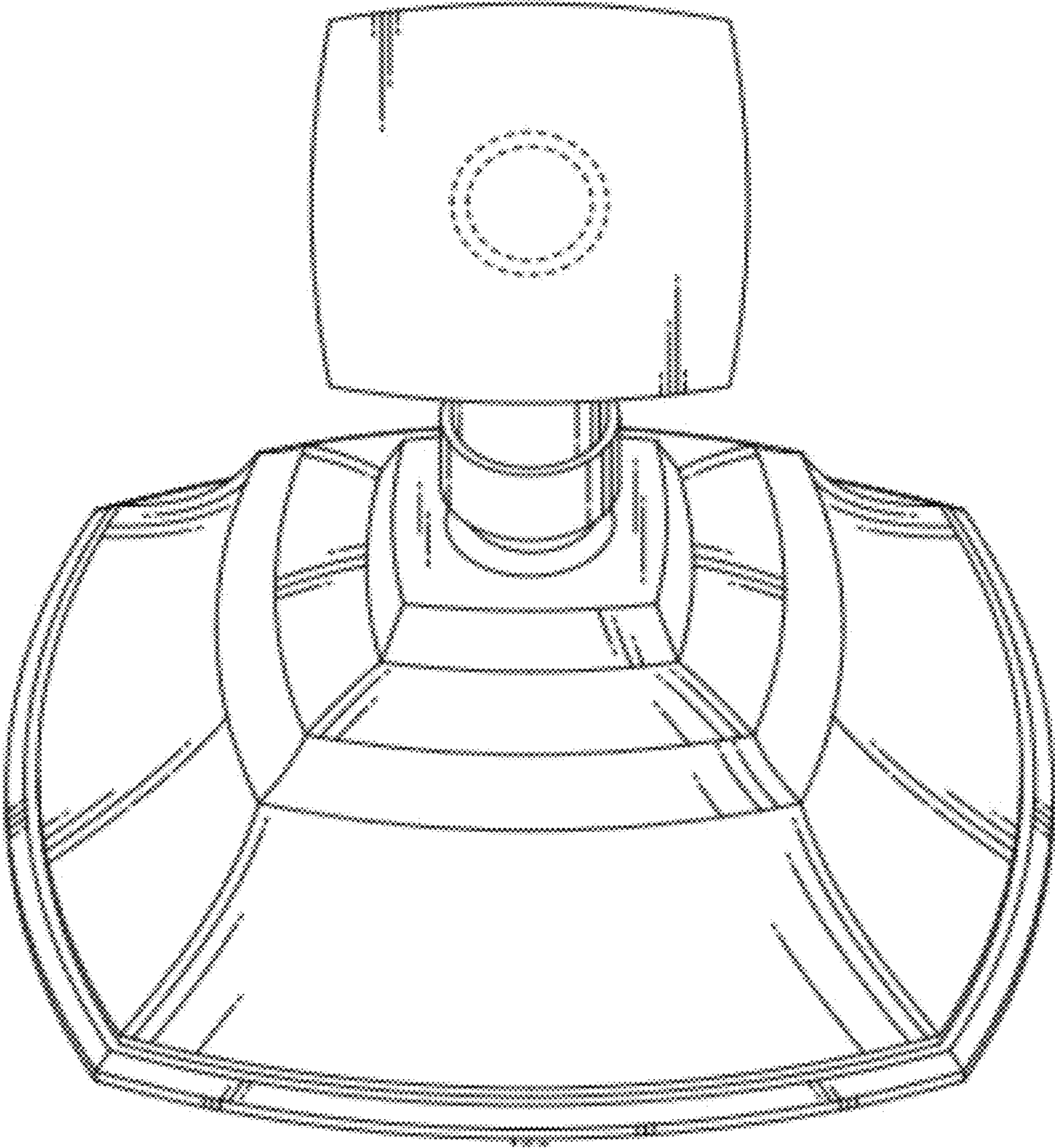


Fig. 4

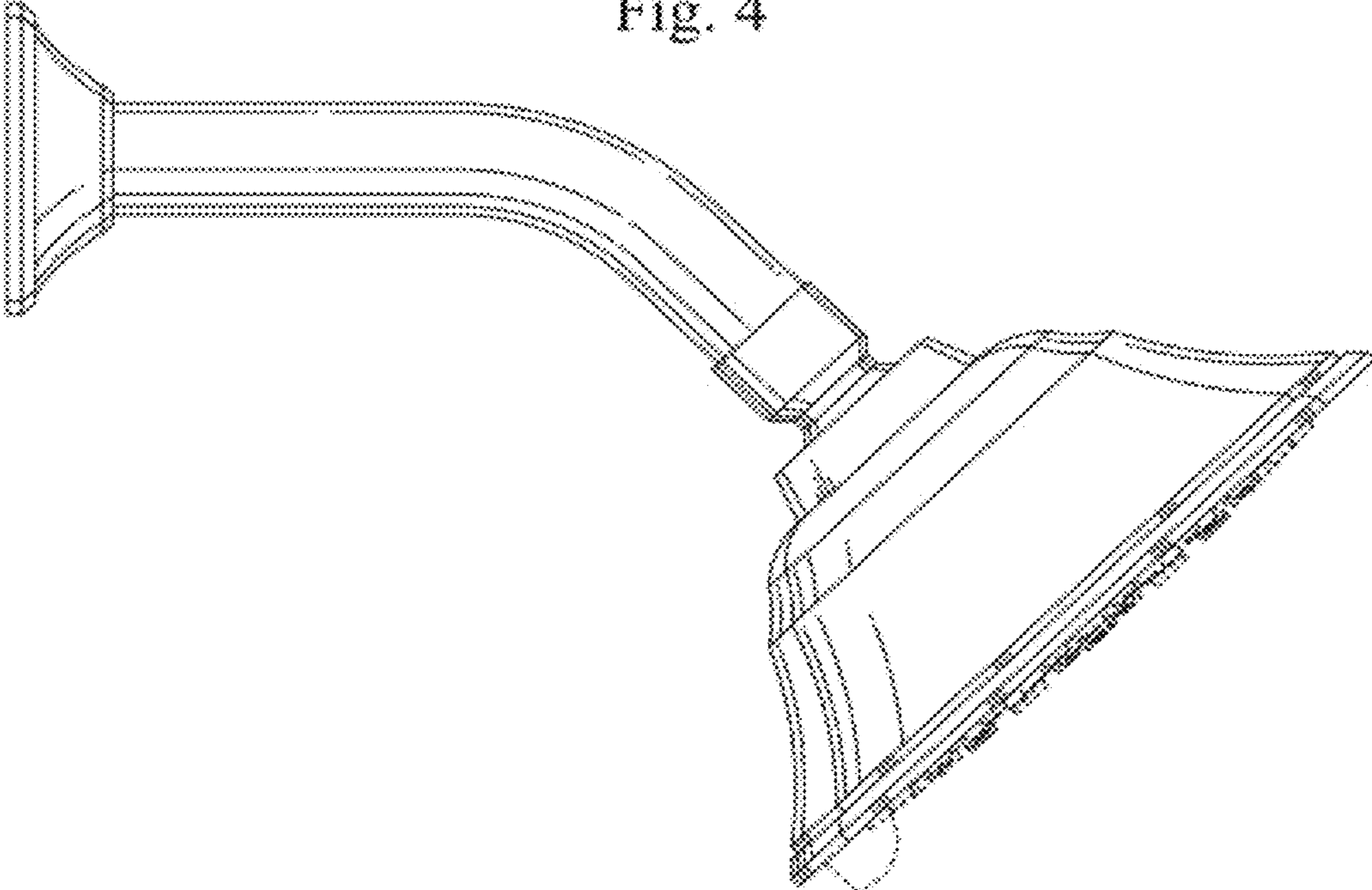


Fig. 5

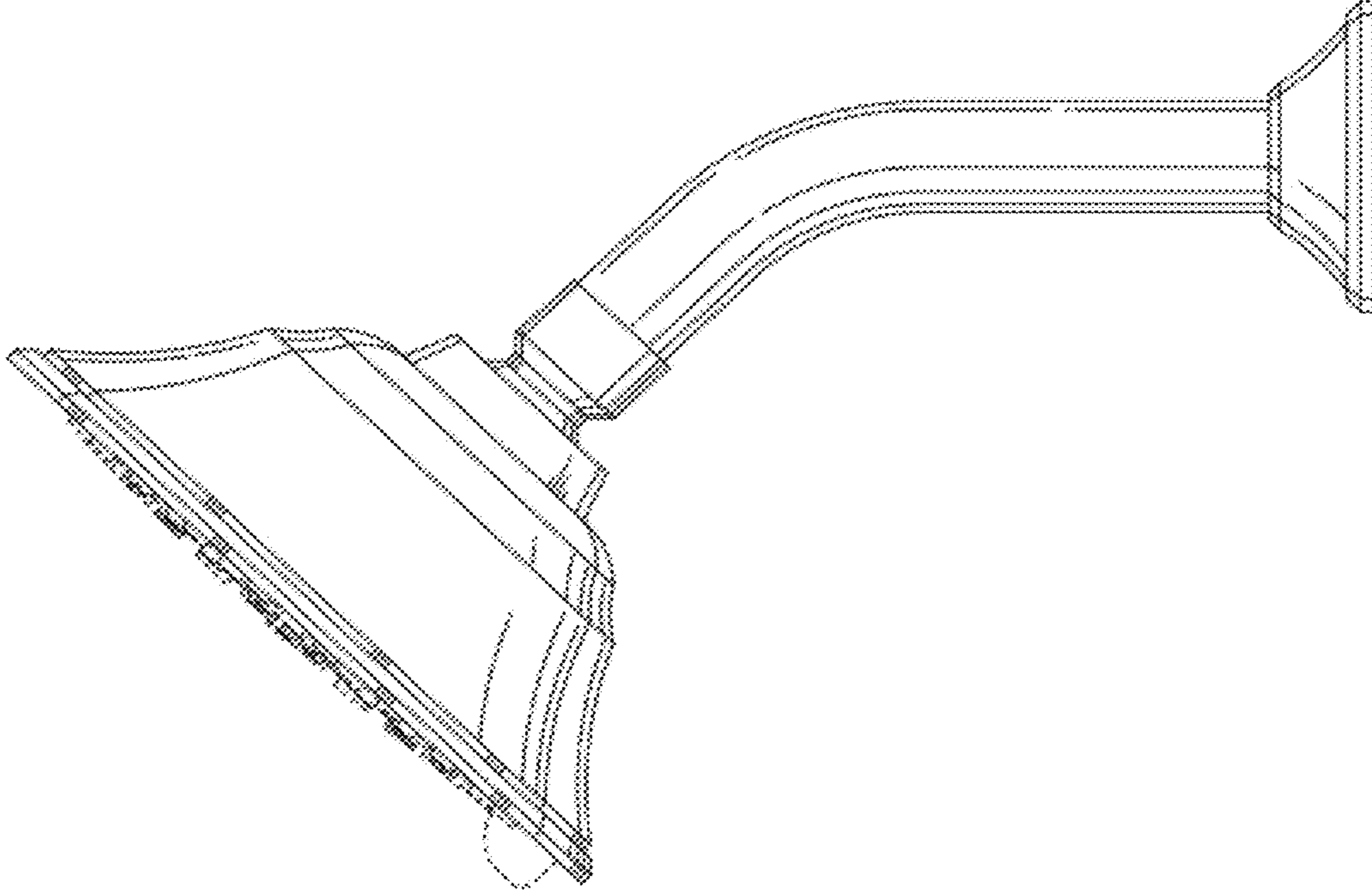


Fig. 6

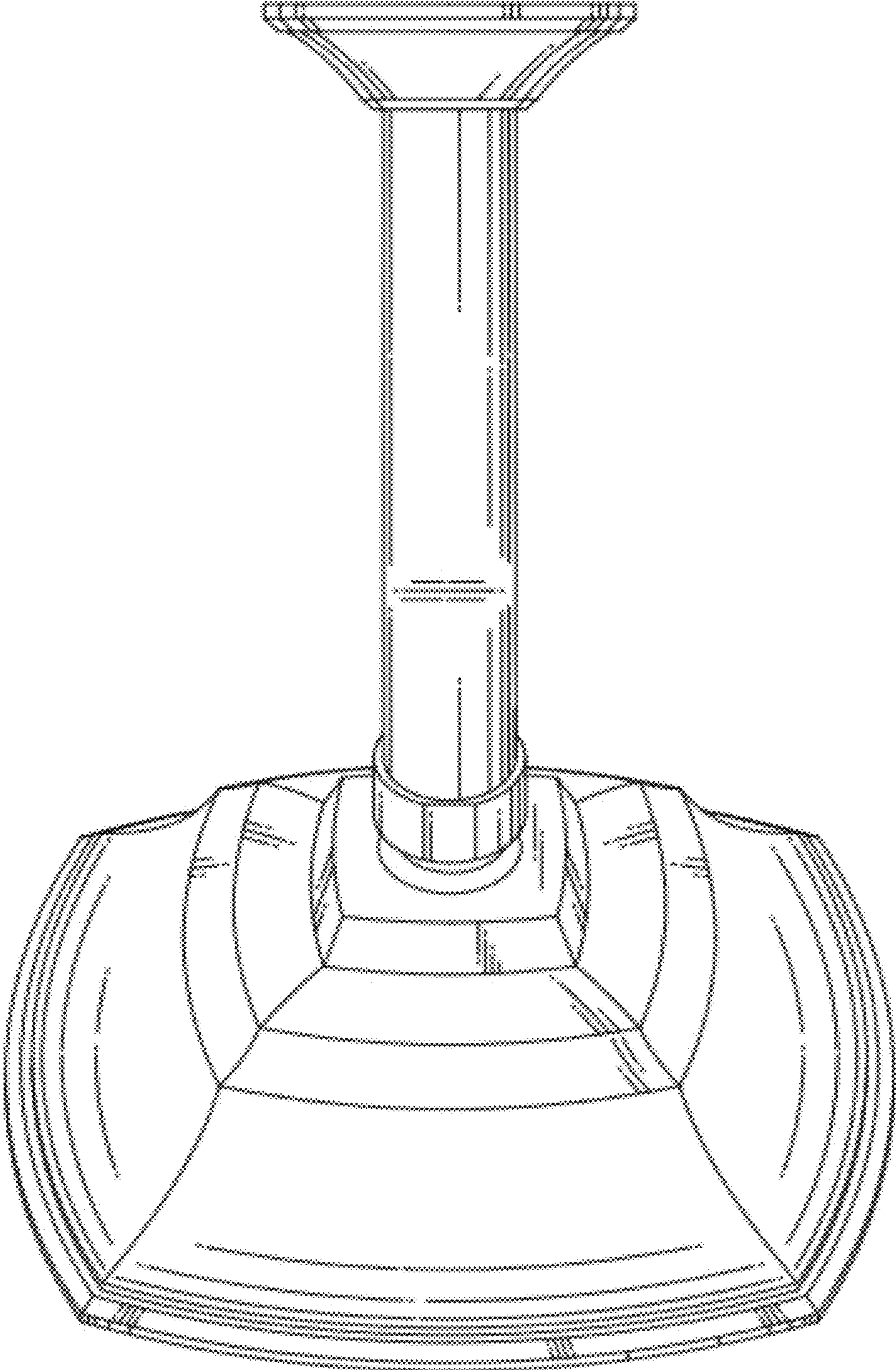


Fig. 7

