



US00D675707S

(12) **United States Design Patent**
Mallol et al.

(10) **Patent No.:** **US D675,707 S**
(45) **Date of Patent:** **** Feb. 5, 2013**

(54) **WATER TREATMENT APPARATUS**

(56) **References Cited**

(75) Inventors: **Jose Ramon Perez Mallol**, Alicante (ES); **Guillermo Vicente Codina Ripoll**, Alicante (ES); **Gaspar Sanchez Cano**, Alicante (ES)

(73) Assignee: **I.D. Electroquimica, S.L.** (ES)

(**) Term: **14 Years**

(21) Appl. No.: **29/414,848**

(22) Filed: **Mar. 5, 2012**

(30) **Foreign Application Priority Data**

Sep. 5, 2011 (EM) 001912411-0004

(51) **LOC (9) Cl.** **23-01**

(52) **U.S. Cl.** **D23/207**

(58) **Field of Classification Search** D23/207,
D23/209, 210; 210/250, 446; 250/432 R

See application file for complete search history.

U.S. PATENT DOCUMENTS

D172,670 S *	7/1954	Kolodny	D23/207
6,572,765 B2 *	6/2003	Lincke	210/167.12
6,583,422 B2 *	6/2003	Boehme	250/432 R
D502,757 S *	3/2005	Mork et al.	D23/207
D507,325 S *	7/2005	McClellan	D23/207
7,217,364 B2 *	5/2007	Lauer et al.	210/321.79
7,687,785 B2 *	3/2010	Chen	250/436
8,003,967 B2 *	8/2011	Fago et al.	250/506.1

* cited by examiner

Primary Examiner — Robin V Webster

(74) *Attorney, Agent, or Firm* — Cantor Colburn LLP

(57) **CLAIM**

We claim, the ornamental design for a water treatment apparatus, as shown and described.

DESCRIPTION

FIG. 1 is a front elevation view of a water treatment apparatus, showing our new design;
FIG. 2 is a side elevation view taken from the left of FIG. 1;
FIG. 3 is a top plan view thereof;
FIG. 4 is a bottom plan view thereof; and,
FIG. 5 is a rear elevation view thereof.

1 Claim, 4 Drawing Sheets

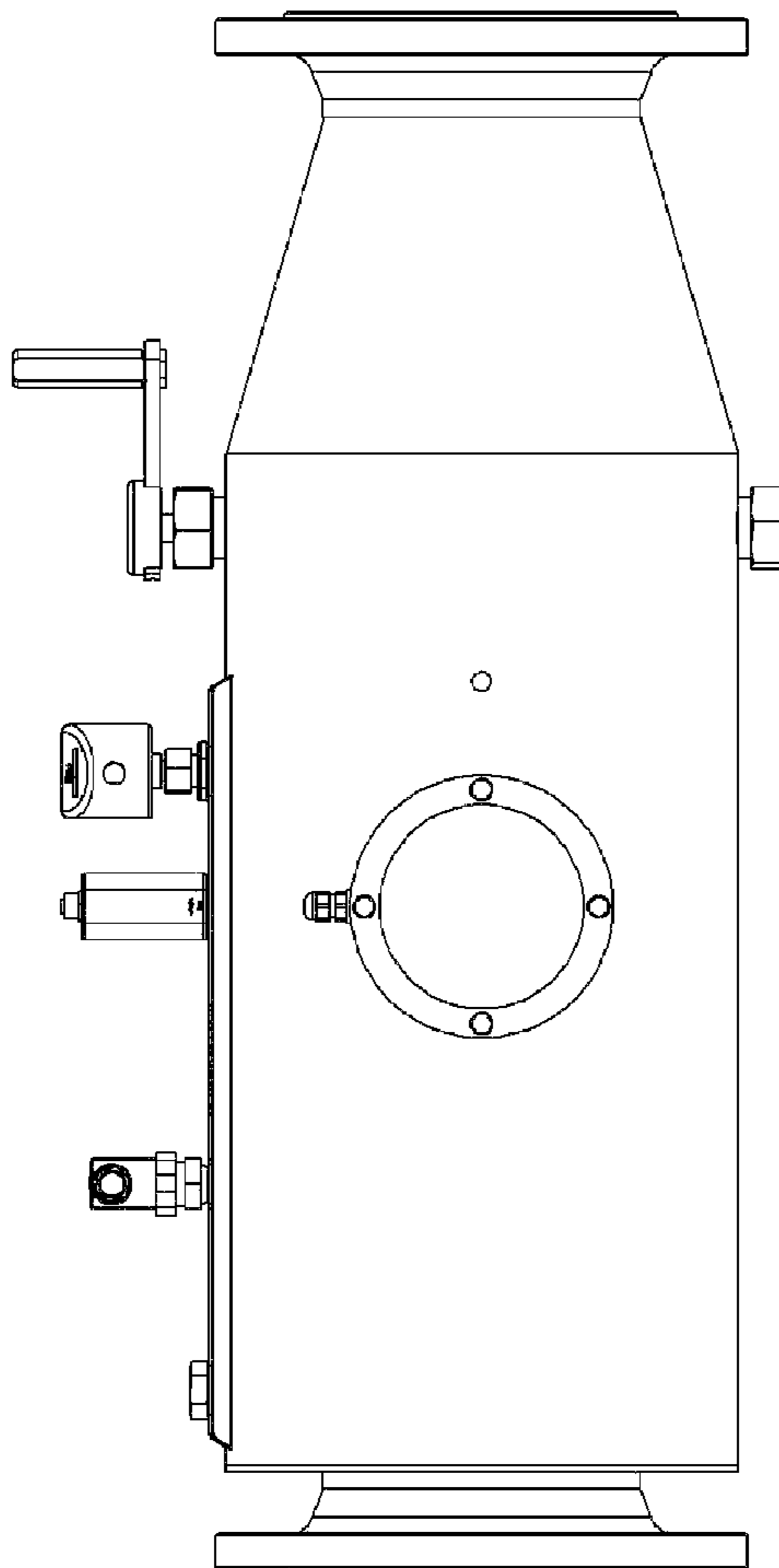


FIGURE 1

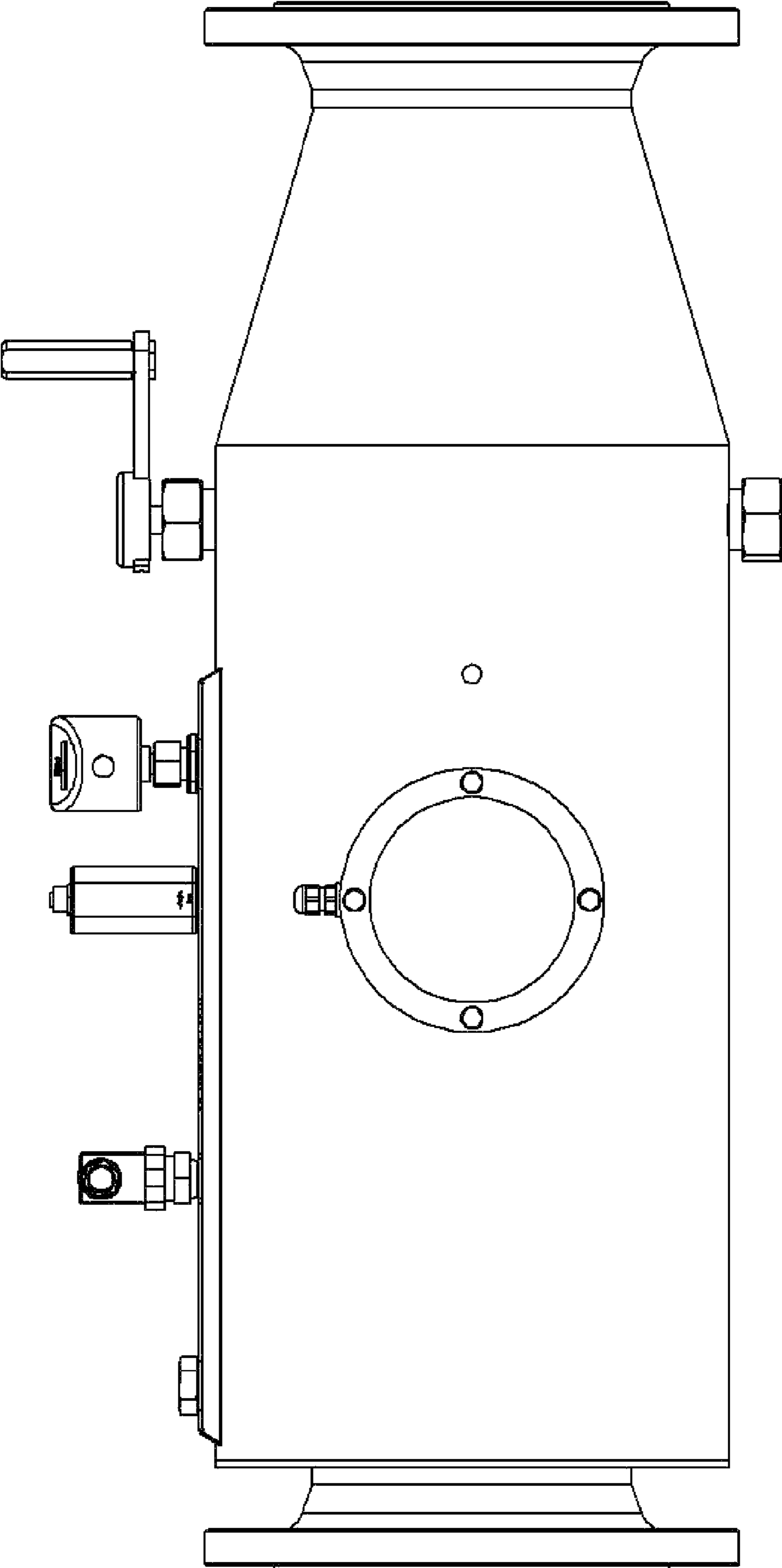
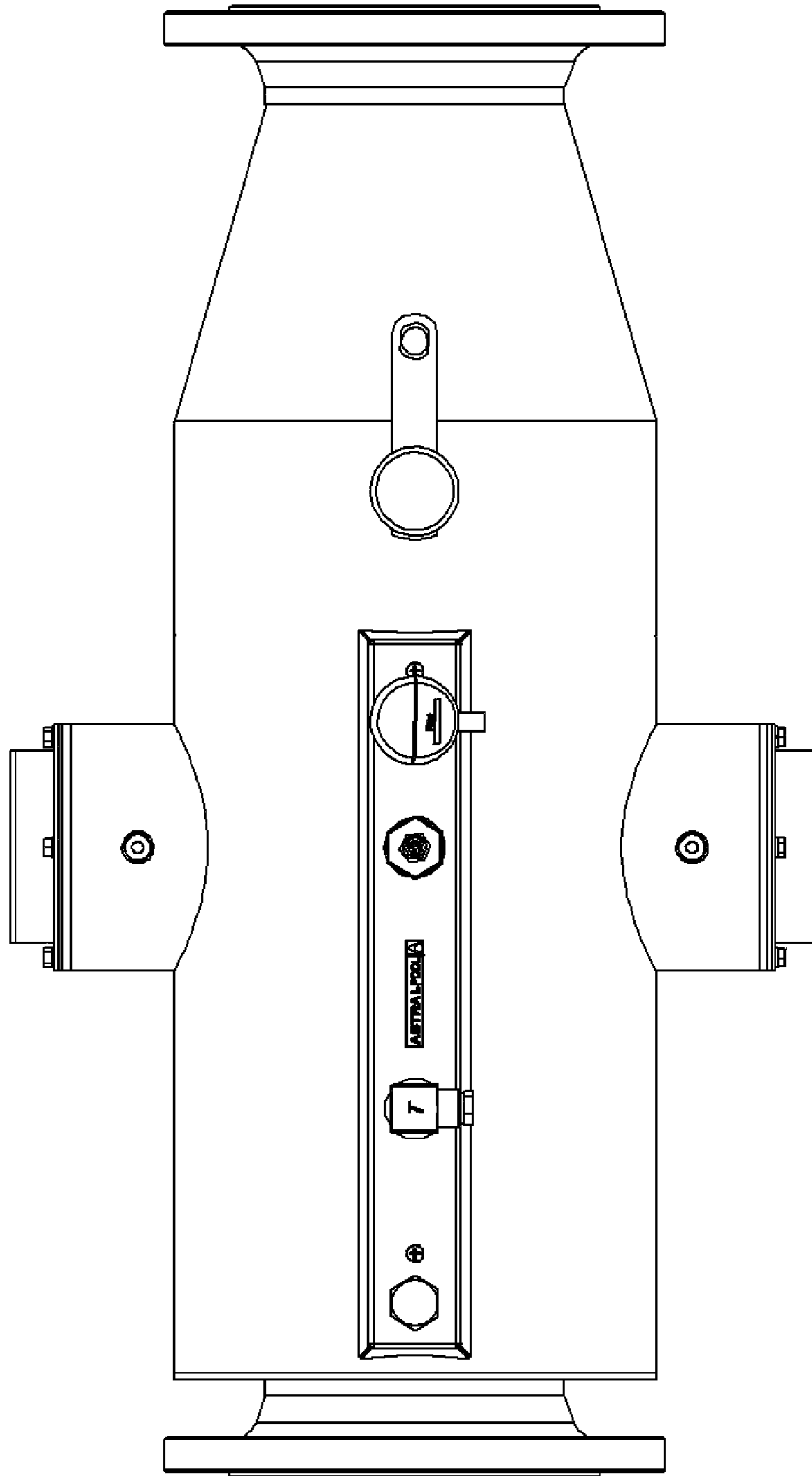


FIGURE 2



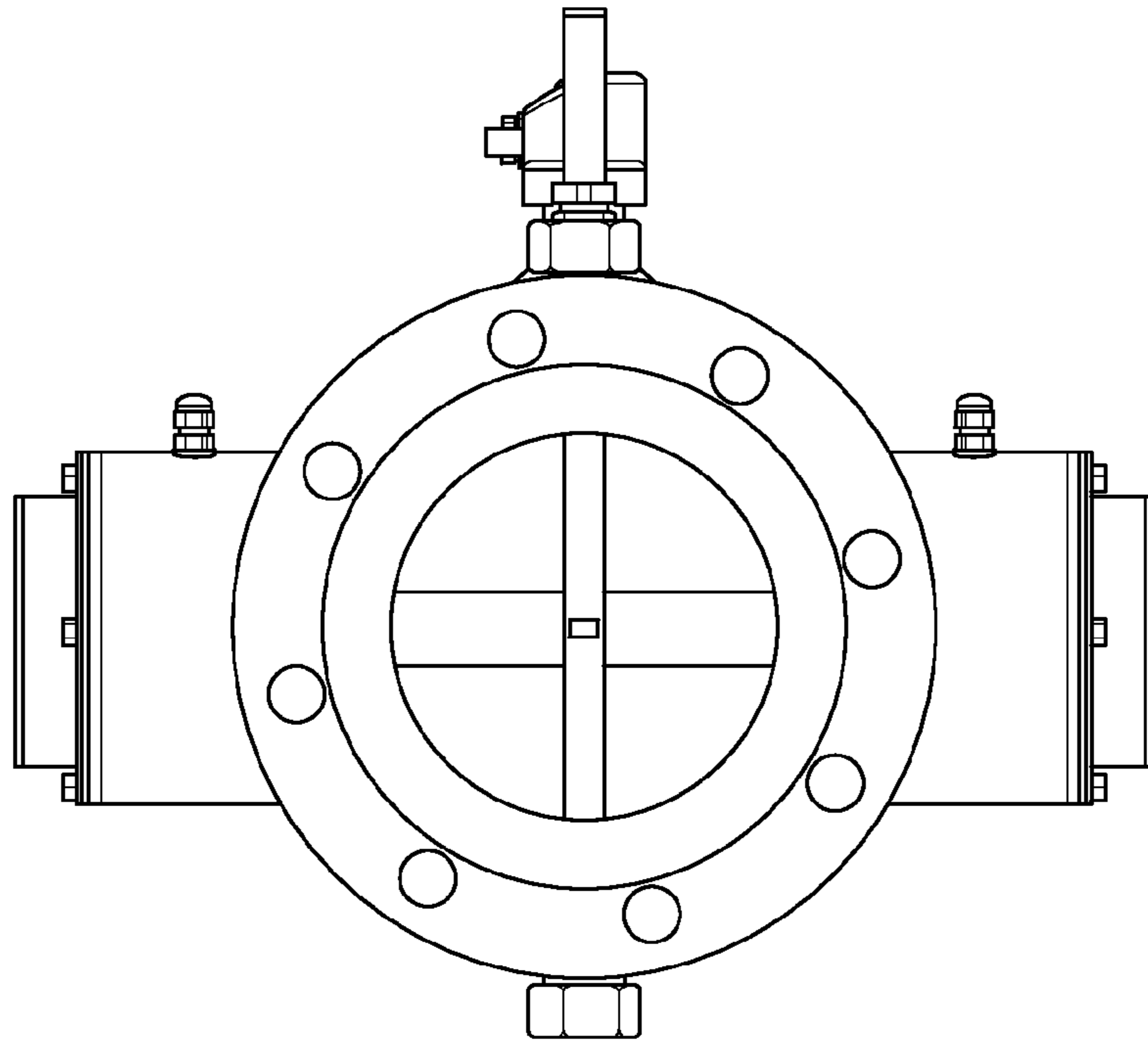


FIG. 3

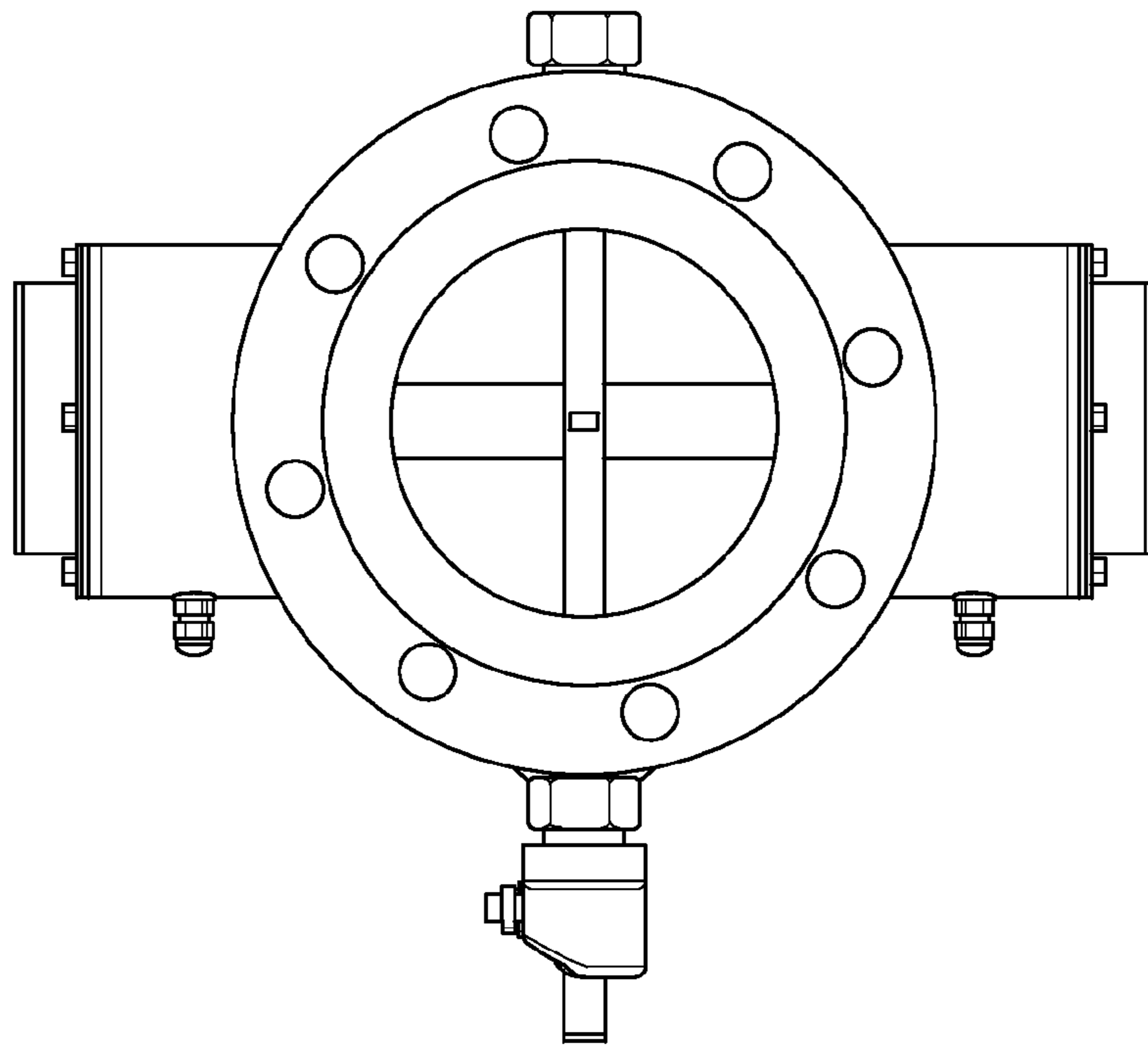


FIG. 4

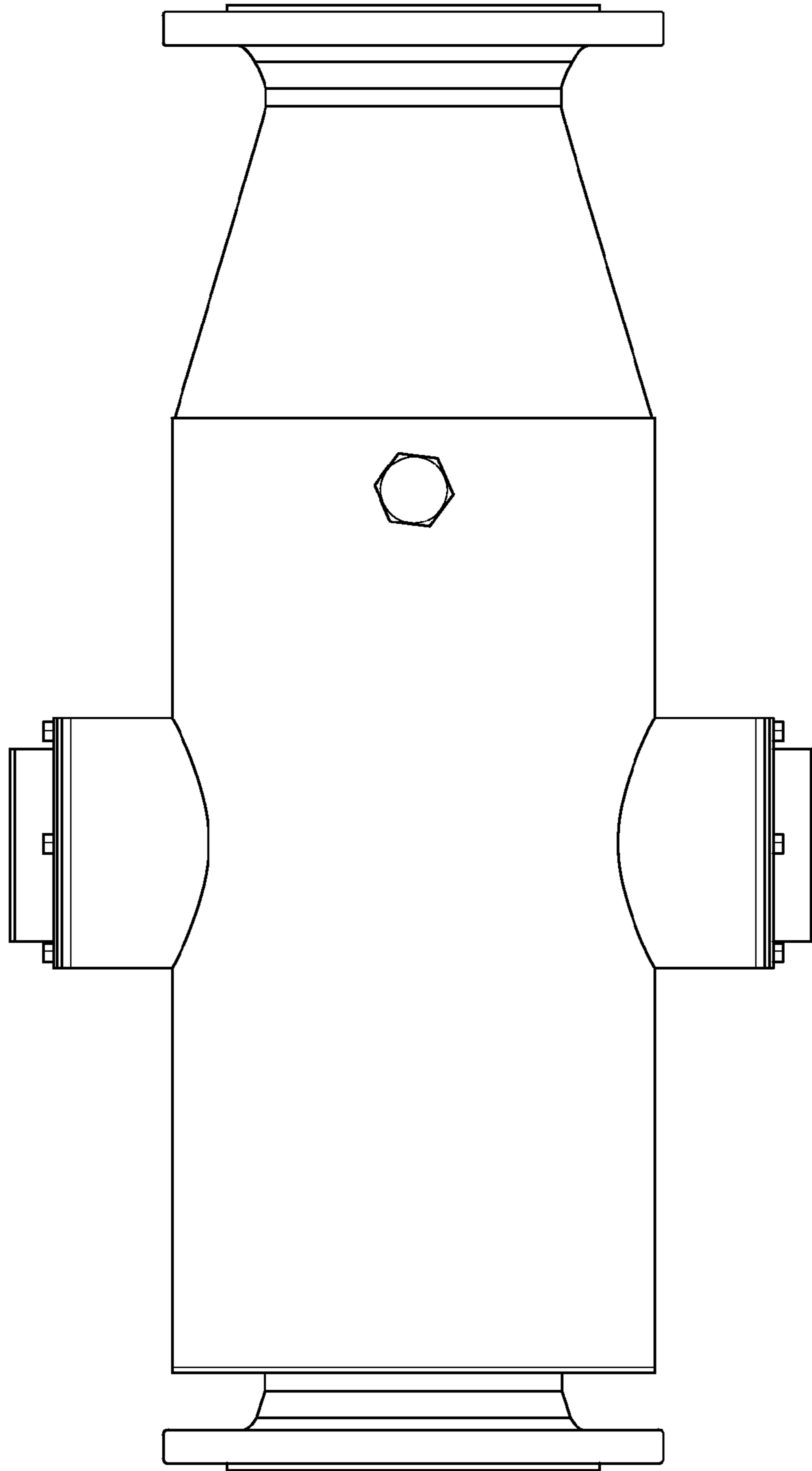


FIG. 5