



US00D675703S

(12) **United States Design Patent**  
**Buie, II**

(10) **Patent No.:** **US D675,703 S**  
(45) **Date of Patent:** **\*\* Feb. 5, 2013**

(54) **HANDLE FOR A GUN CLEANING KIT**

(75) **Inventor:** **James H. Buie, II**, Little Rock, AR (US)

(73) **Assignee:** **DAC Technologies Group International, Inc.**, Little Rock, AR (US)

(\*\*) **Term:** **14 Years**

(21) **Appl. No.:** **29/372,619**

(22) **Filed:** **Dec. 15, 2010**

(51) **LOC (9) Cl.** ..... **22-99**

(52) **U.S. Cl.** ..... **D22/199; D22/108**

(58) **Field of Classification Search** ..... D22/108,  
D22/199; D8/82-87, 107; 81/3.05, 177.1,  
81/433, 436-439, 489; D16/430; 135/139;  
16/110.1

See application file for complete search history.

(56) **References Cited**

**U.S. PATENT DOCUMENTS**

1,769,967	A *	7/1930	Saurman et al. ....	174/22 R
2,058,756	A *	10/1936	Ayer .....	242/564
3,076,904	A *	2/1963	Kuris et al. ....	310/26
3,894,766	A *	7/1975	Woodward .....	296/104
4,239,318	A *	12/1980	Schwartz .....	439/607.18
4,521,356	A *	6/1985	Keller et al. ....	264/600
4,807,381	A	2/1989	Southard	
4,873,777	A	10/1989	Southard	
4,901,464	A	2/1990	Banoun	
D310,302	S	9/1990	Southard	
D313,886	S	1/1991	Southard	
5,011,174	A *	4/1991	Ross-Clunis .....	280/287
5,052,555	A	10/1991	Harmon	
5,075,998	A	12/1991	Selleck	
5,202,523	A	4/1993	Grossman	
5,317,827	A	6/1994	Jaremco	
5,379,542	A	1/1995	Guzman	
5,427,239	A	6/1995	Hunt	
5,775,021	A	7/1998	Weiss	
D401,658	S *	11/1998	Bullock .....	D22/108
D415,729	S *	10/1999	Wells .....	D12/317
5,972,125	A	10/1999	Hedge	
6,126,005	A	10/2000	Long, Jr.	
6,209,723	B1	4/2001	Fields	
6,244,899	B1	6/2001	Bogursky	

6,269,579	B1	8/2001	Warner	
6,293,743	B1 *	9/2001	Ernst et al. ....	411/24
D449,506	S *	10/2001	Haung .....	D8/87
6,378,236	B1 *	4/2002	Solberg et al. ....	42/95
6,389,978	B1 *	5/2002	Hooper et al. ....	102/442
6,701,657	B1	3/2004	Hudspeth	
7,020,994	B2	4/2006	Buie, II	
D535,476	S	1/2007	Pennington	
7,165,673	B2	1/2007	Marks	
7,356,961	B2	4/2008	Williams	
7,367,151	B1	5/2008	Black	
7,451,707	B1 *	11/2008	Hadden .....	102/529
D602,663	S	10/2009	Pennington	
7,628,164	B2 *	12/2009	Joen-an Ma .....	135/121
D619,728	S *	7/2010	Bare et al. ....	D24/224
8,146,284	B2 *	4/2012	Smith .....	42/95
2003/0019180	A1 *	1/2003	Warren et al. ....	52/646
2007/0266610	A1 *	11/2007	Coffield, III .....	42/95
2009/0199360	A1 *	8/2009	Madanat .....	16/111.1
2011/0209379	A1 *	9/2011	Williams .....	42/95
2012/0073616	A1 *	3/2012	Kuelbs .....	135/16

**FOREIGN PATENT DOCUMENTS**

GB 2185209 A \* 7/1987

\* cited by examiner

*Primary Examiner* — Michael A Pratt

(74) *Attorney, Agent, or Firm* — Stephen D. Carver

(57) **CLAIM**

The ornamental design for a handle for a gun cleaning kit, as shown and described.

**DESCRIPTION**

FIG. 1 is a frontal isometric view of my new handle for a gun cleaning kit;

FIG. 2 is a top plan view thereof

FIG. 3 is a side elevational view thereof, the opposite side comprising a mirror image;

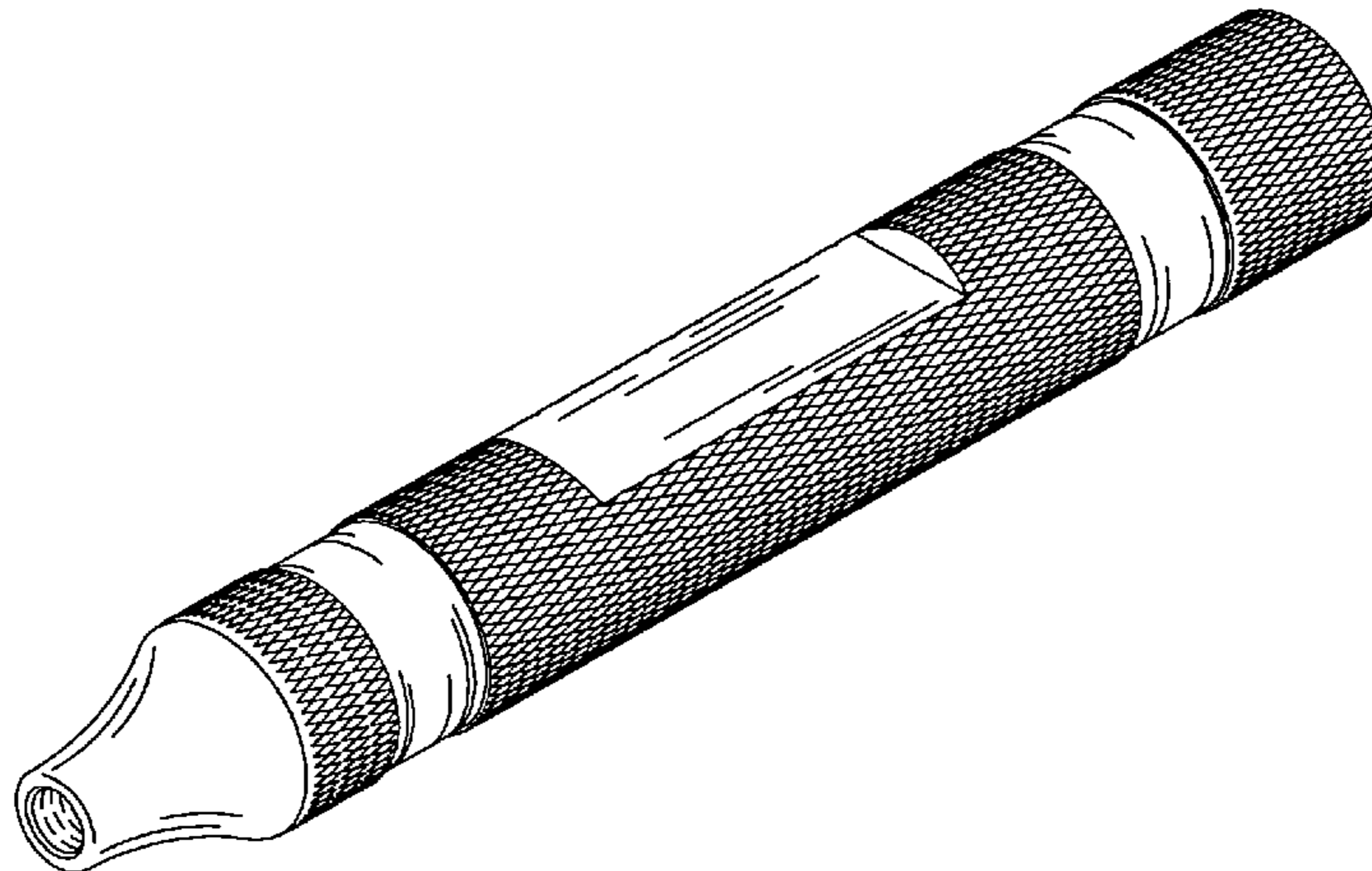
FIG. 4 is a bottom plan view thereof;

FIG. 5 is an end view taken from the left of FIG. 3; and,

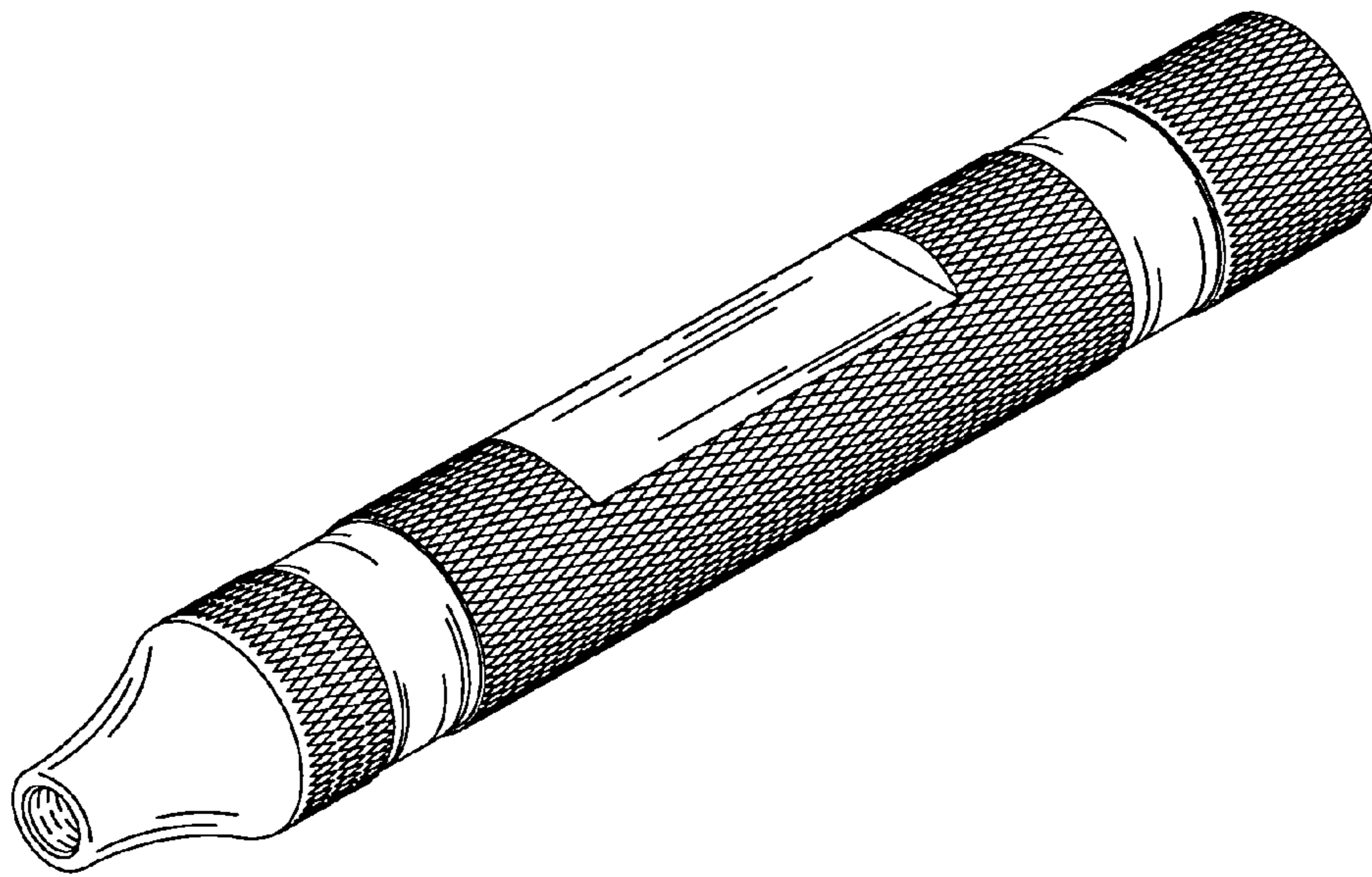
FIG. 6 is a view of the end opposite that of FIG. 5, taken from the right of FIG. 3.

The broken lines in FIG. 1 are included for the purpose of illustrating a portion of the handle for firearm maintenance that forms no part of the claimed design.

**1 Claim, 3 Drawing Sheets**



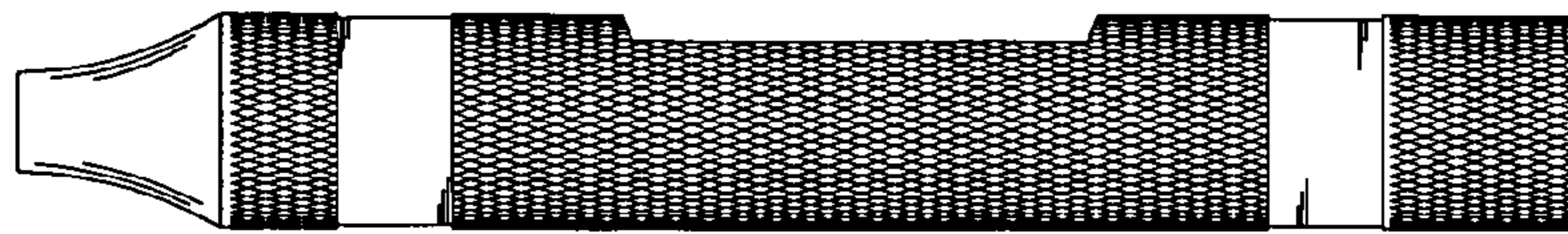
**Fig. 1**



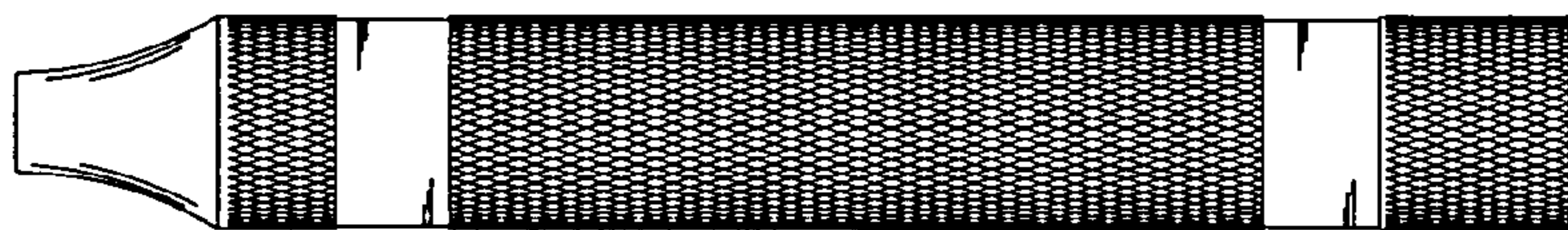
**Fig. 2**



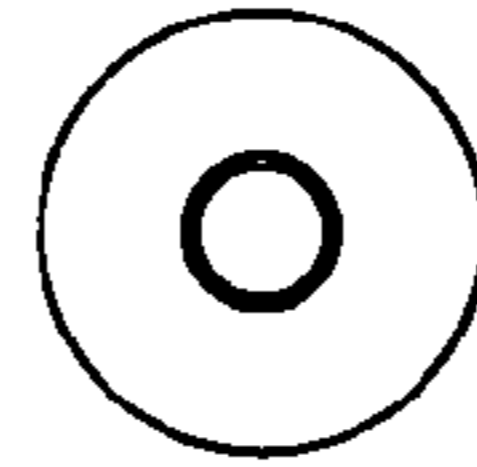
**Fig. 3**



**Fig. 4**



**Fig. 5**



**Fig. 6**

