

US00D675701S

(12) **United States Design Patent**
Saringer et al.

(10) **Patent No.:** **US D675,701 S**
(45) **Date of Patent:** **** Feb. 5, 2013**

(54) **DECOY STAND**

(75) Inventors: **Donald J. Saringer**, Neenah, WI (US);
Travis G. Bersch, Menasha, WI (US)

(73) Assignee: **Mallard Motels, Inc.**, Appleton, WI (US)

(**) Term: **14 Years**

(21) Appl. No.: **29/431,667**

(22) Filed: **Sep. 10, 2012**

Related U.S. Application Data

(62) Division of application No. 29/397,843, filed on Jul. 21, 2011, now Pat. No. Des. 670,353.

(51) **LOC (9) Cl.** **22-05**

(52) **U.S. Cl.** **D22/125**

(58) **Field of Classification Search** D22/125,
D22/199; 43/1-3; 248/156, 175, 215, 530,
248/545; 47/42, 44, 47

See application file for complete search history.

(56) **References Cited**

U.S. PATENT DOCUMENTS

983,589	A	2/1911	Wendt	
1,073,763	A	9/1913	Kalitzky	
1,107,075	A	8/1914	Karges	
1,266,749	A	5/1918	Abbott	
1,590,637	A	6/1926	Marengo	
2,246,574	A	6/1941	Coe	
2,547,286	A	4/1951	Sabin	
2,616,200	A	11/1952	Milam	
2,624,144	A	1/1953	Beverman	
2,952,090	A *	9/1960	Pittenger	43/3
3,768,192	A	10/1973	Caccamo	
4,660,313	A *	4/1987	Bauernfeind et al.	43/3
5,074,071	A	12/1991	Dunne	
6,234,444	B1	5/2001	Haddad	

6,595,377	B1	7/2003	Hetu	
6,655,071	B2 *	12/2003	Barnes et al.	43/3
6,938,370	B2 *	9/2005	Johns	47/42
6,948,694	B1 *	9/2005	Gilbert	248/530
7,458,475	B2	12/2008	Ho	
2003/0024146	A1	2/2003	Spady et al.	
2003/0173474	A1	9/2003	Taylor	

OTHER PUBLICATIONS

Great Day Hot Wings Duck Decoy Tree, printed from web-site <http://www.mackspw.com>, Jul. 22, 2011, 2 pages.
Cabela's Waterfowl Catalog, 2010, pp. 38-41.

* cited by examiner

Primary Examiner — Catheri Oliver-Garcia

(74) *Attorney, Agent, or Firm* — Michael Best & Friedrich LLP

(57) **CLAIM**

We claim the ornamental design for a decoy stand, as shown and described.

DESCRIPTION

FIG. 1 is a front perspective view of a decoy stand in accordance with the invention.

FIG. 2 is a front view of the decoy stand of FIG. 1.

FIG. 3 is a rear view of the decoy stand of FIG. 1.

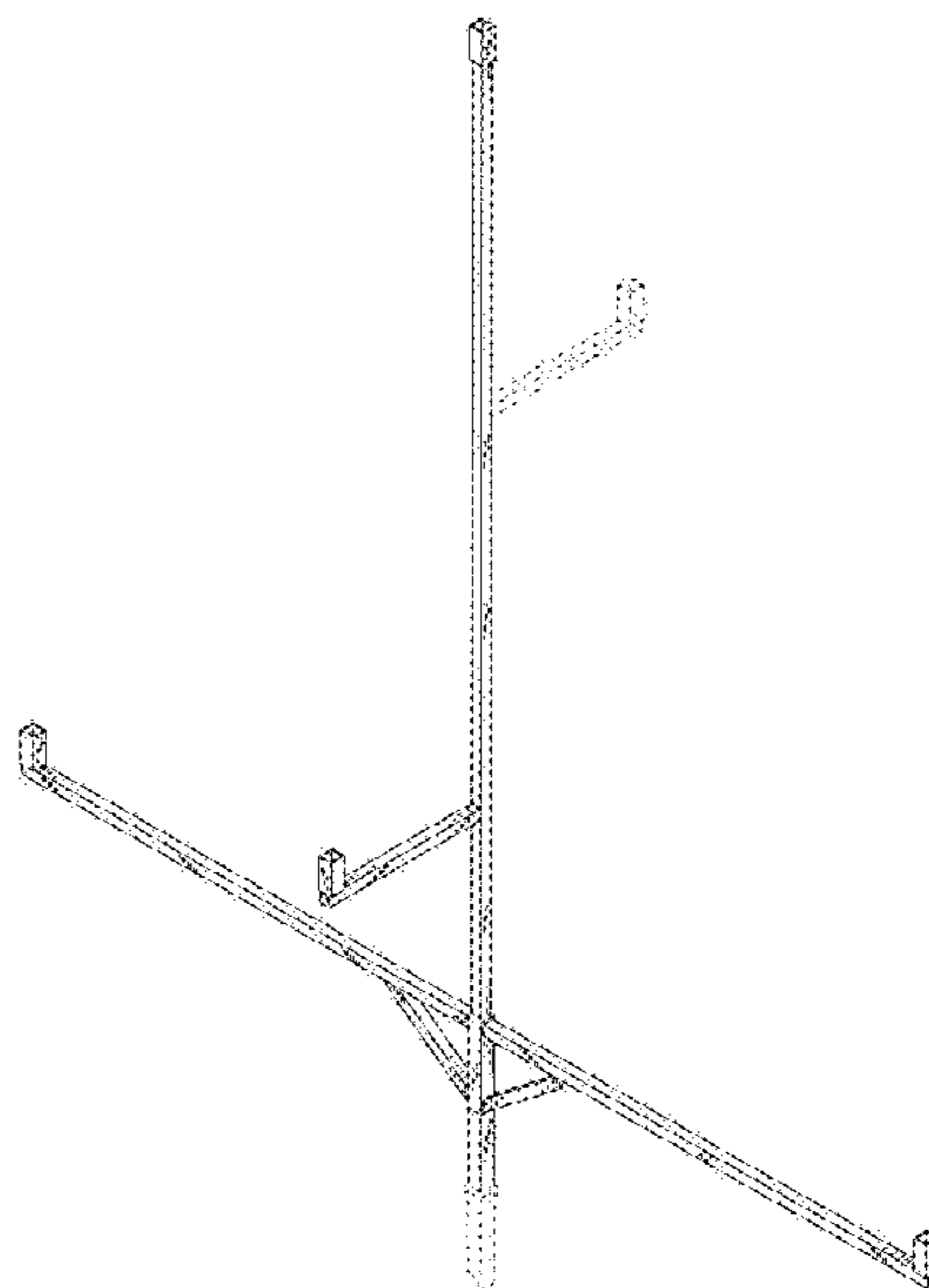
FIG. 4 is a top view of the decoy stand of FIG. 1.

FIG. 5 is a bottom view of the decoy stand of FIG. 1.

FIG. 6 is a right-side view of the decoy stand of FIG. 1; and, FIG. 7 is a left-side view of the decoy stand of FIG. 1.

The portions of the decoy stand shown in broken lines are included for the purpose of illustrating environment and form no part of the claimed design. The portions of the decoy stand shown in broken lines having unequal length segments illustrate the boundary of the claimed design and form no part of the claimed design.

1 Claim, 6 Drawing Sheets



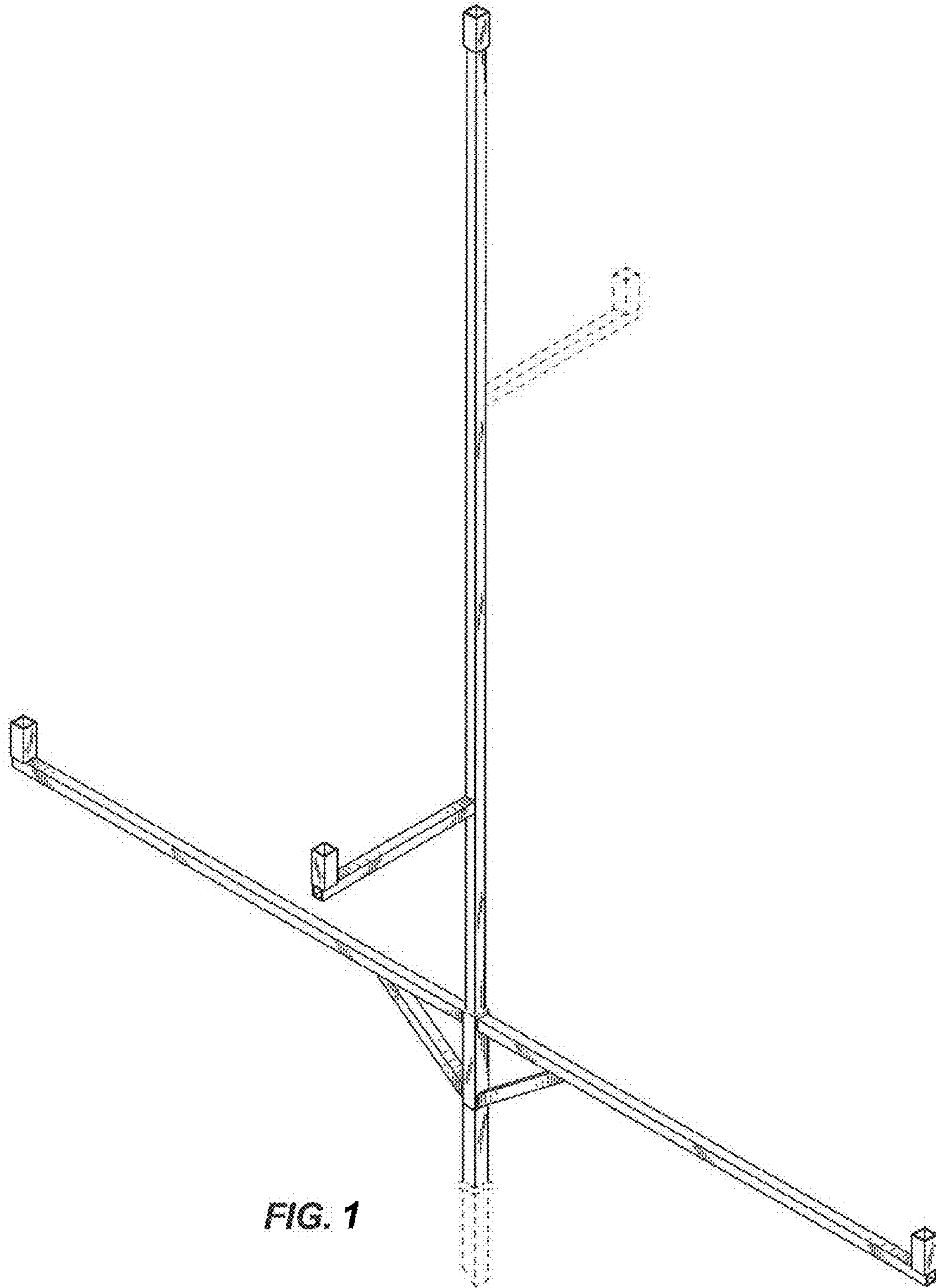


FIG. 1

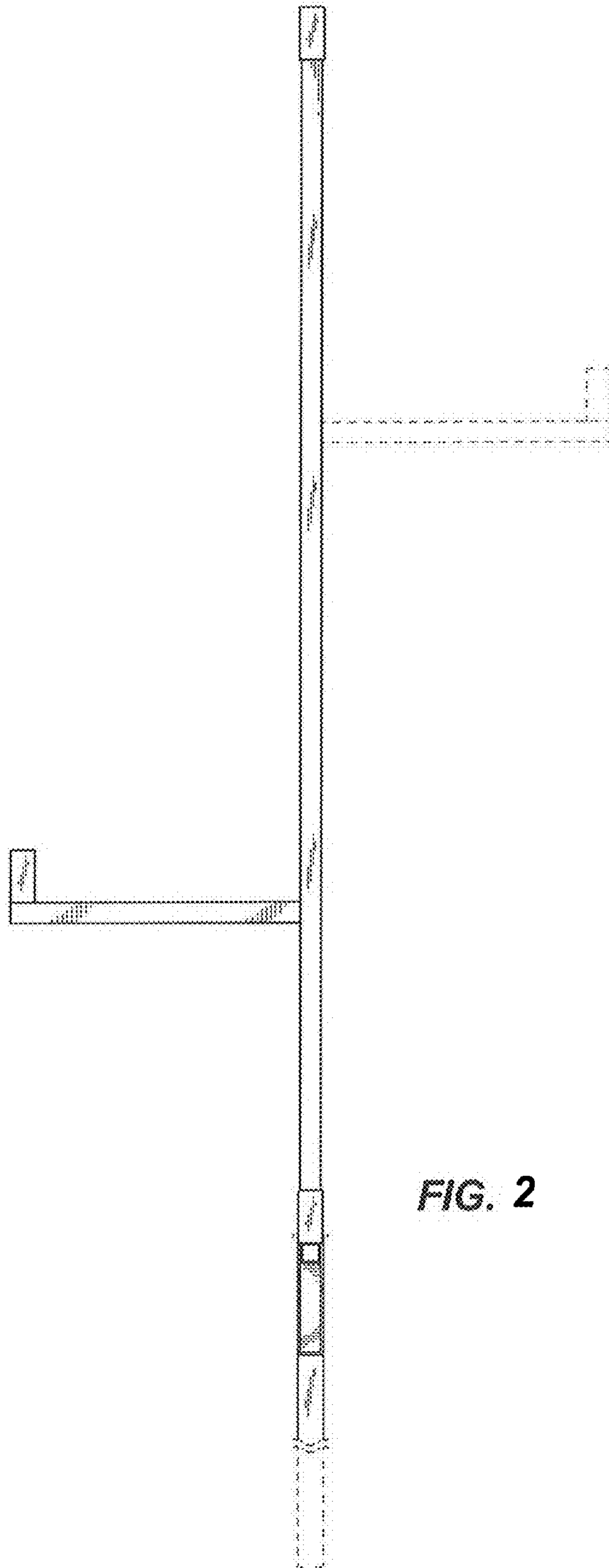


FIG. 2

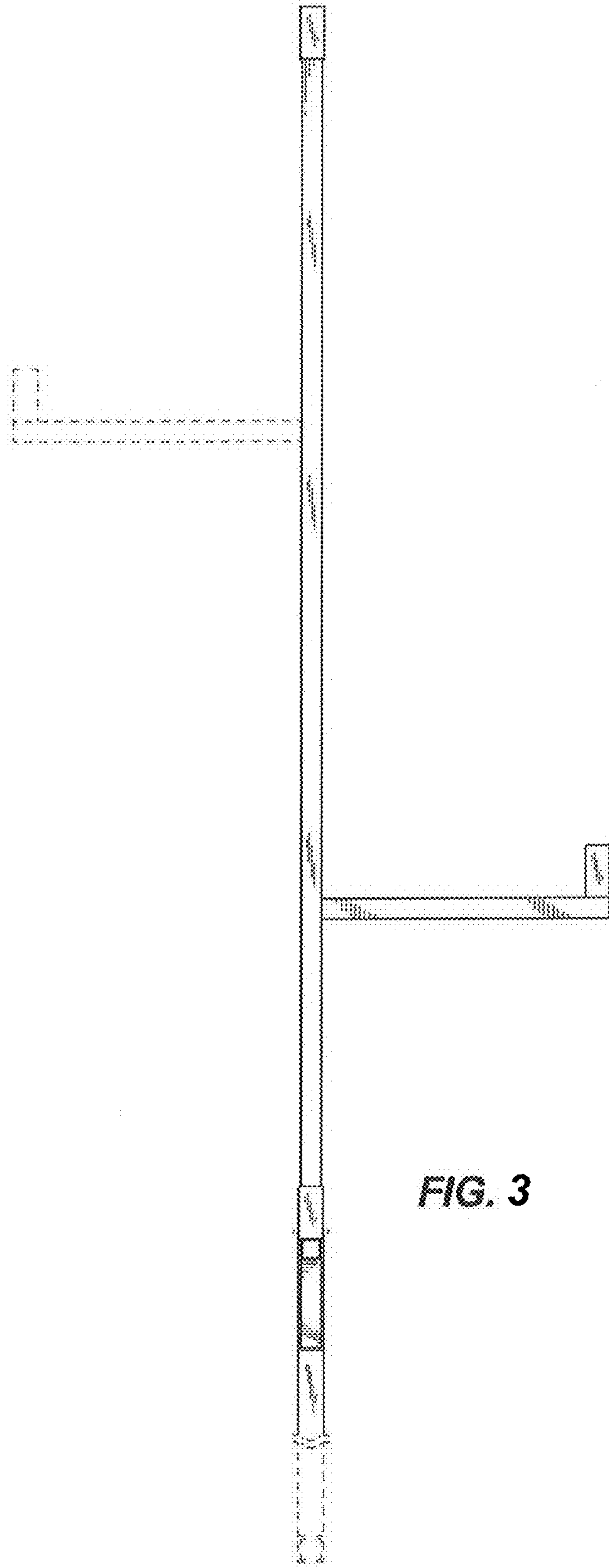


FIG. 3

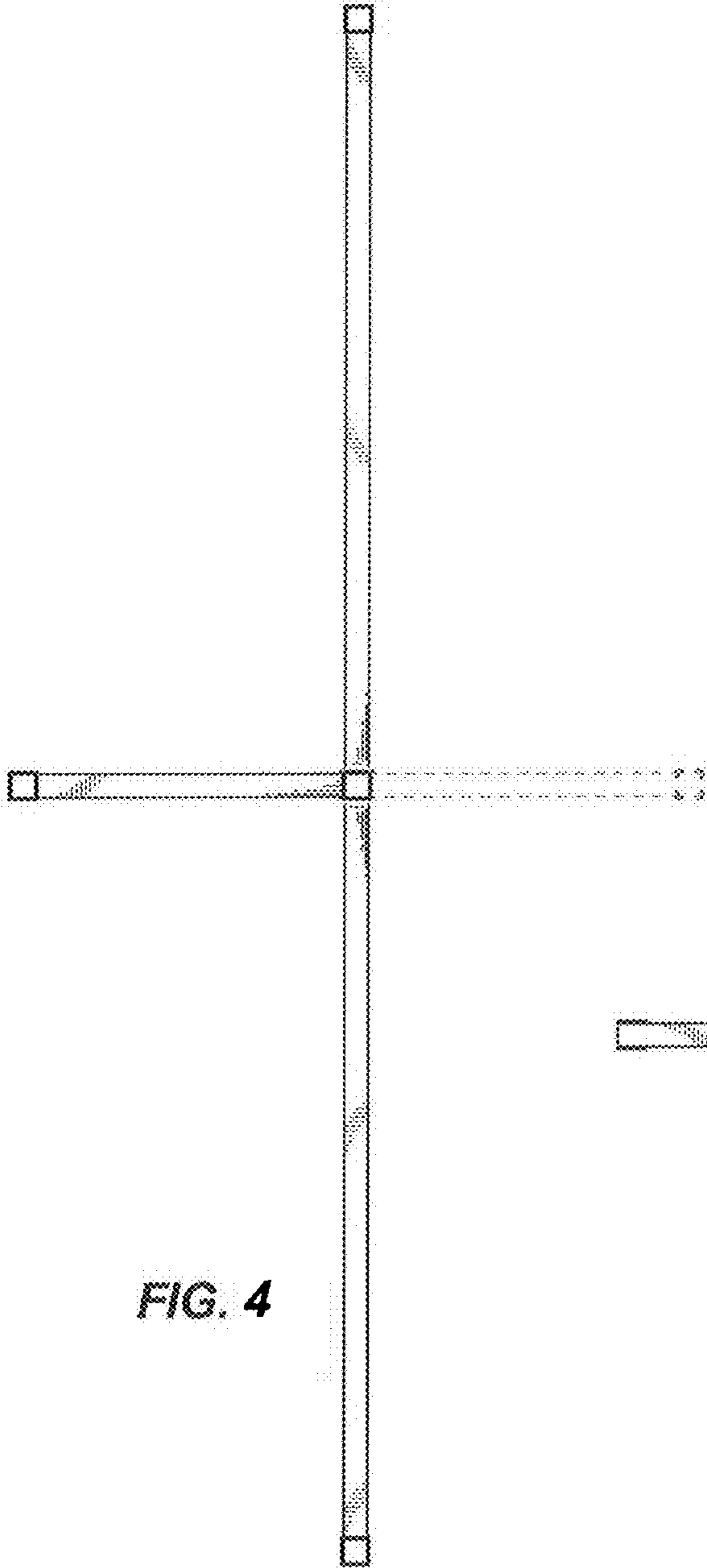


FIG. 4

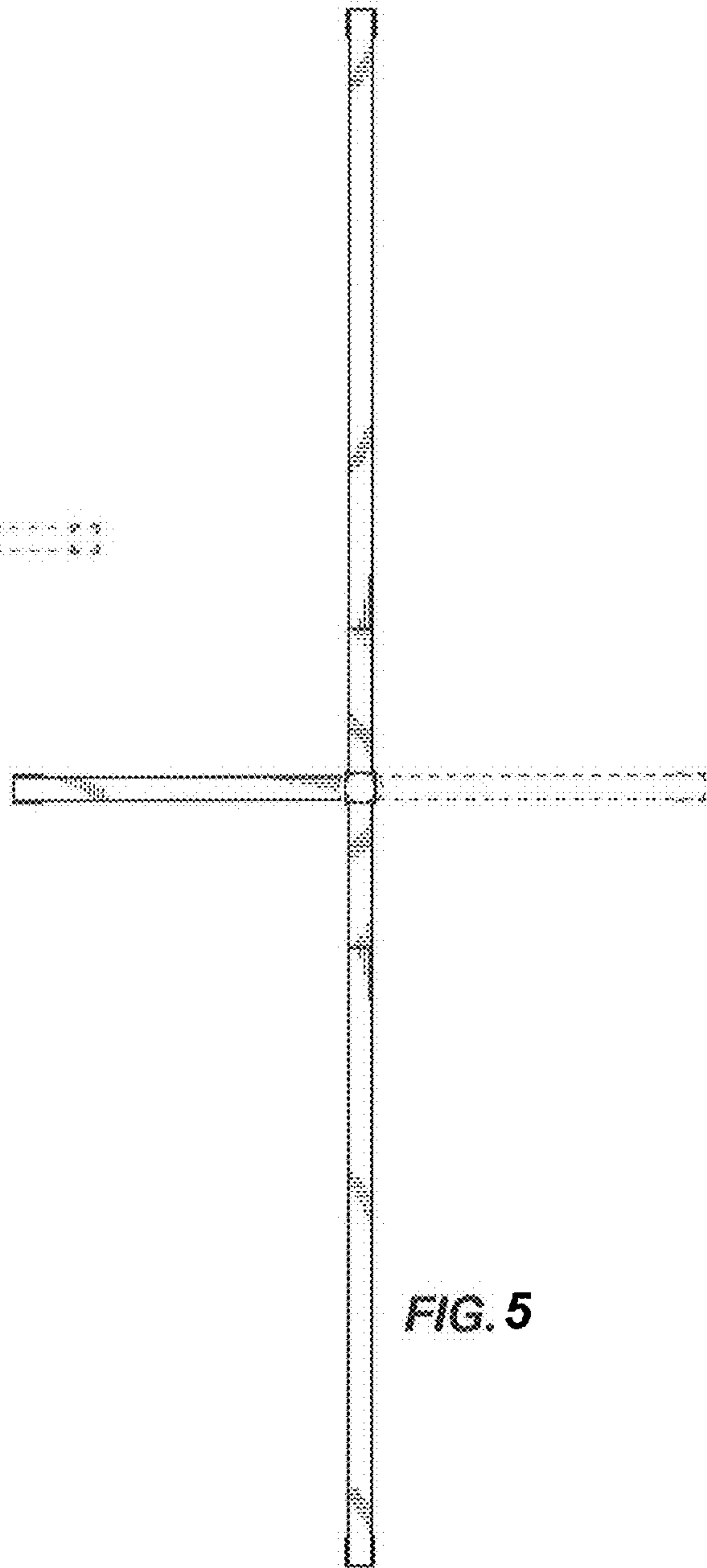


FIG. 5

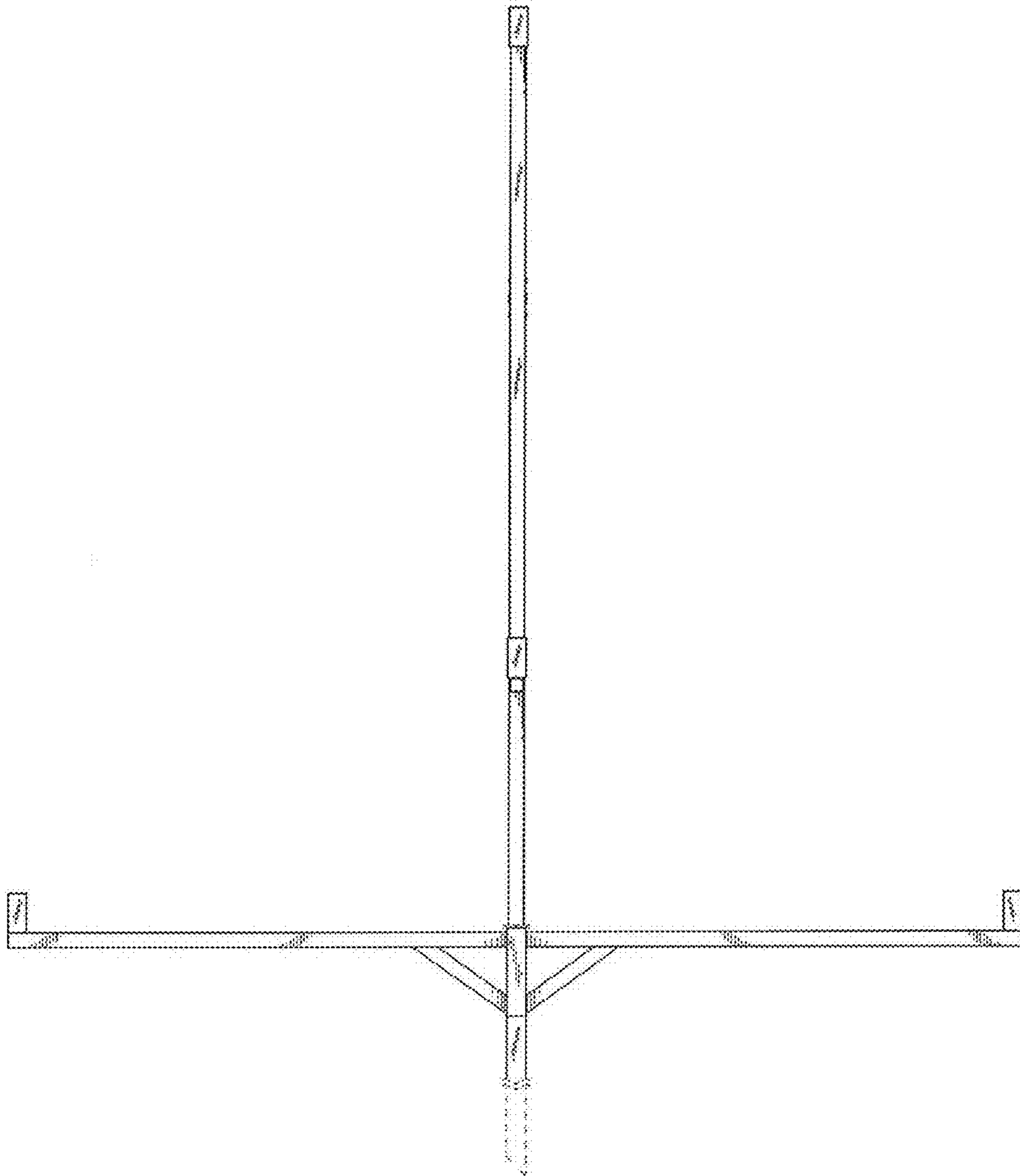


FIG. 6

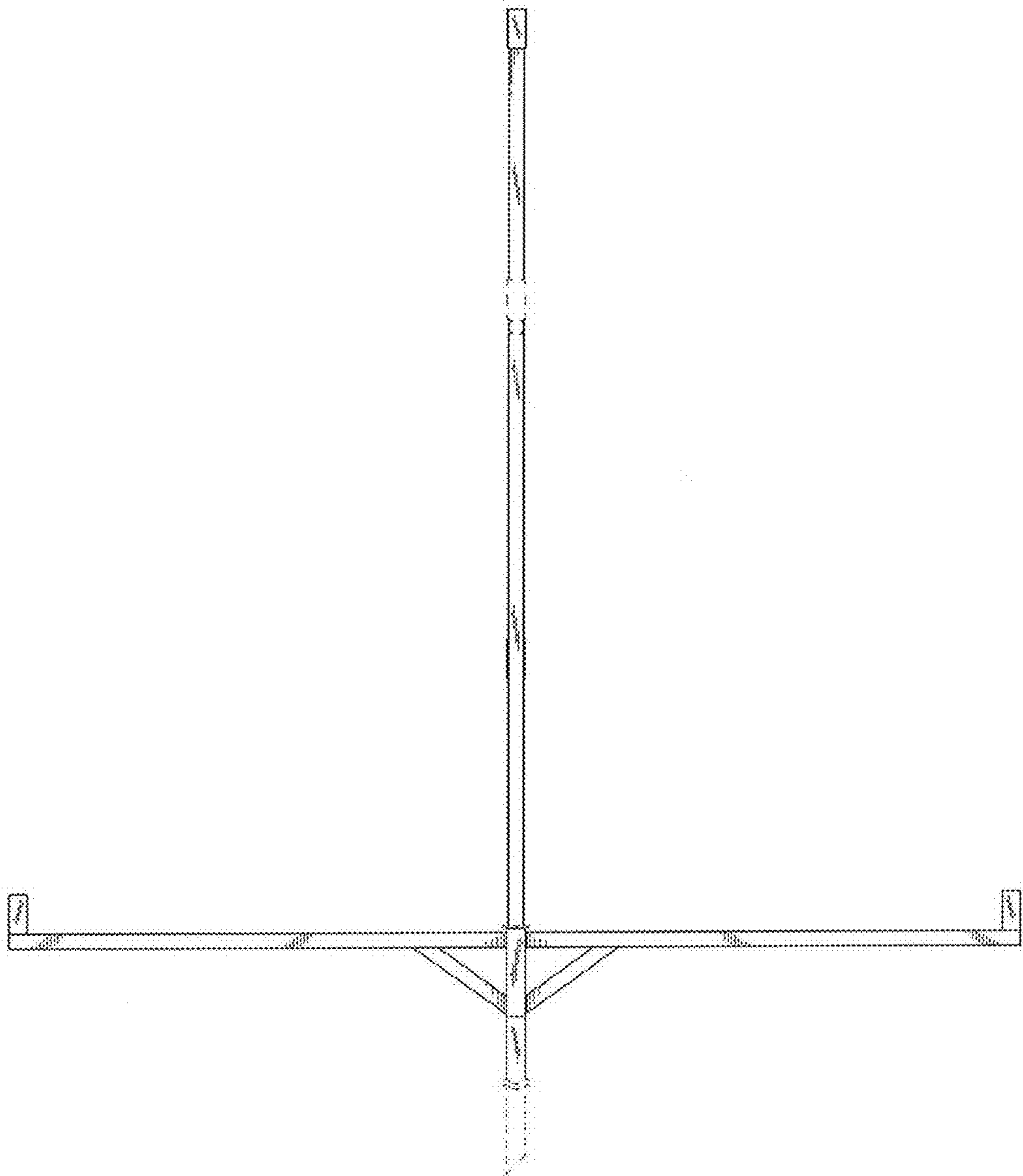


FIG. 7