



US00D675699S

(12) **United States Design Patent**
Hunter

(10) **Patent No.:** **US D675,699 S**

(45) **Date of Patent:** **** Feb. 5, 2013**

(54) **STRAIGHT BLADE HUNTING KNIFE**

D615,608 S * 5/2010 Moore D22/118

(75) Inventor: **James P. Hunter**, Royal, AR (US)

* cited by examiner

(73) Assignee: **Rural American Knives, LLC**, West
Monroe, LA (US)

Primary Examiner — Catheri Oliver-Garcia
(74) *Attorney, Agent, or Firm* — Boyd D. Cox

(**) Term: **14 Years**

(57) **CLAIM**
The ornamental design for a straight blade hunting knife, as shown.

(21) Appl. No.: **29/413,570**

DESCRIPTION

(22) Filed: **Feb. 16, 2012**

(51) **LOC (9) Cl.** **22-02**

(52) **U.S. Cl.** **D22/118**

(58) **Field of Classification Search** D22/117–120;
D8/95–99; 30/151, 155–156, 161–162, 164,
30/321

See application file for complete search history.

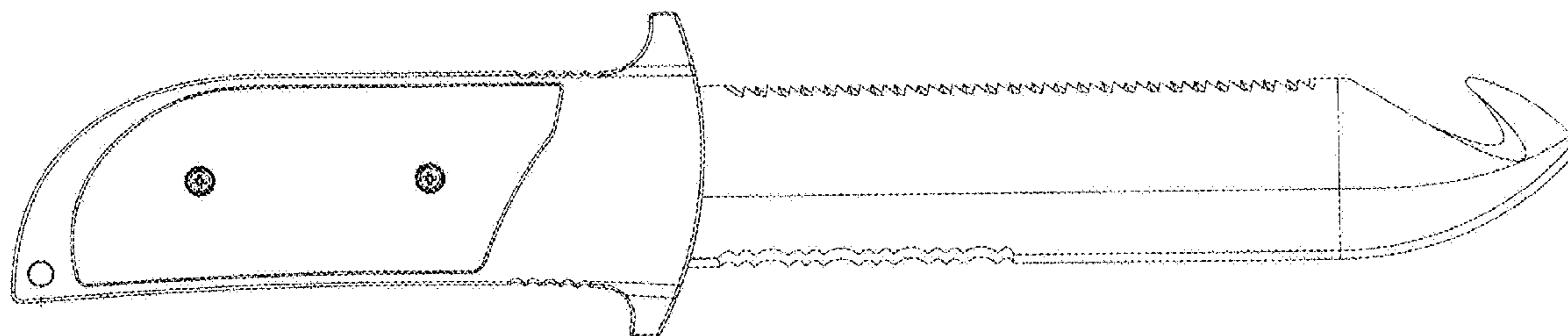
FIG. 1 is a front elevation of the straight blade hunting knife of the present invention;
FIG. 2 is a rear elevation of the straight blade hunting knife of FIG. 1;
FIG. 3 is a right side elevation of the straight blade hunting knife of FIG. 1;
FIG. 4 is a left side elevation of the straight blade hunting knife of FIG. 1;
FIG. 5 is a top plan view of the straight blade hunting knife of FIG. 1; and,
FIG. 6 is a bottom plan view of the straight blade hunting knife of FIG. 1.

(56) **References Cited**

U.S. PATENT DOCUMENTS

D154,482 S * 7/1949 Hill D22/118
2,630,314 A * 3/1953 Cadwallader 43/53.5
D561,295 S * 2/2008 Taylor D22/118

1 Claim, 6 Drawing Sheets



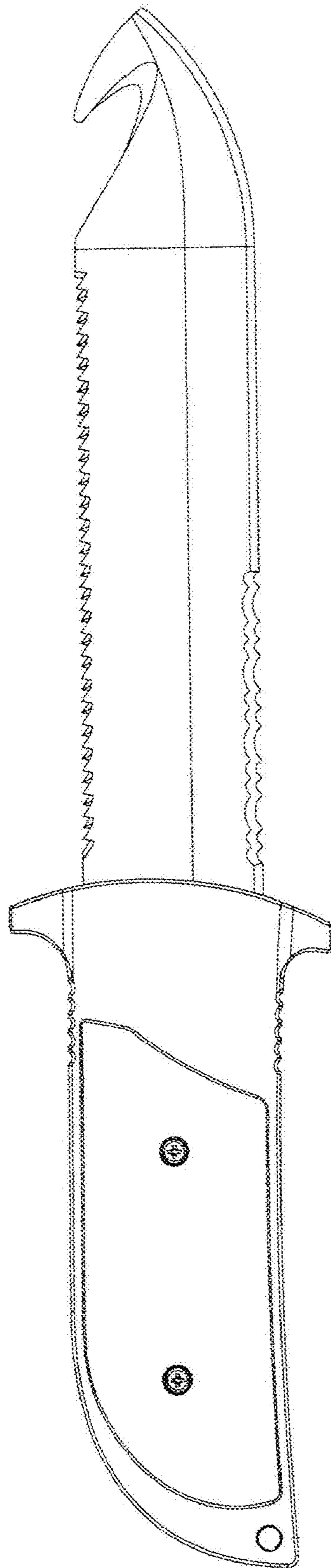


FIGURE 1

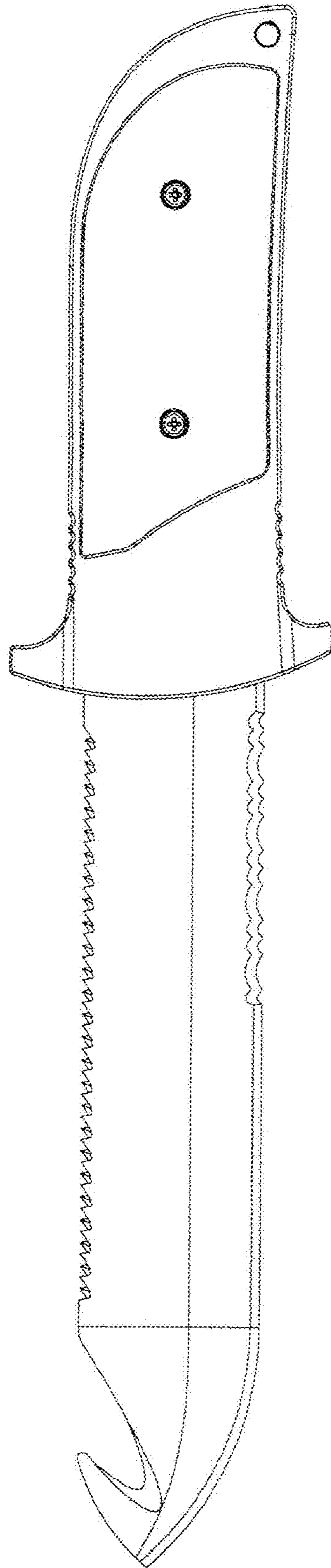


FIGURE 2

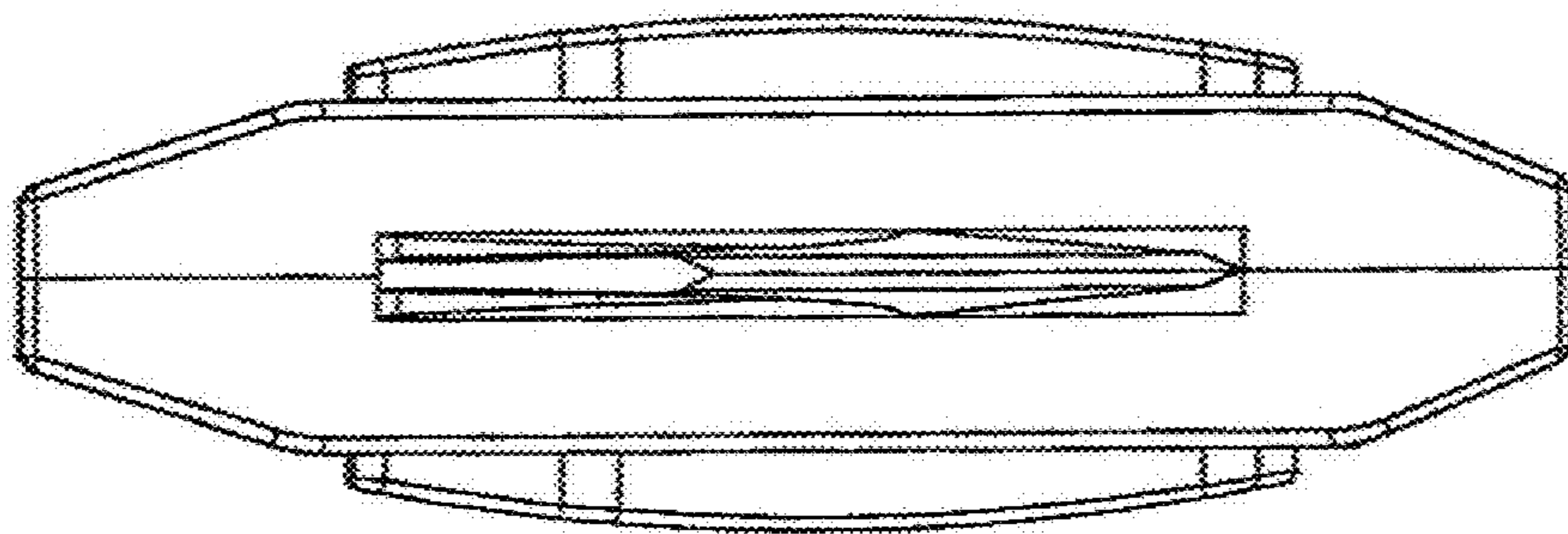


FIGURE 3

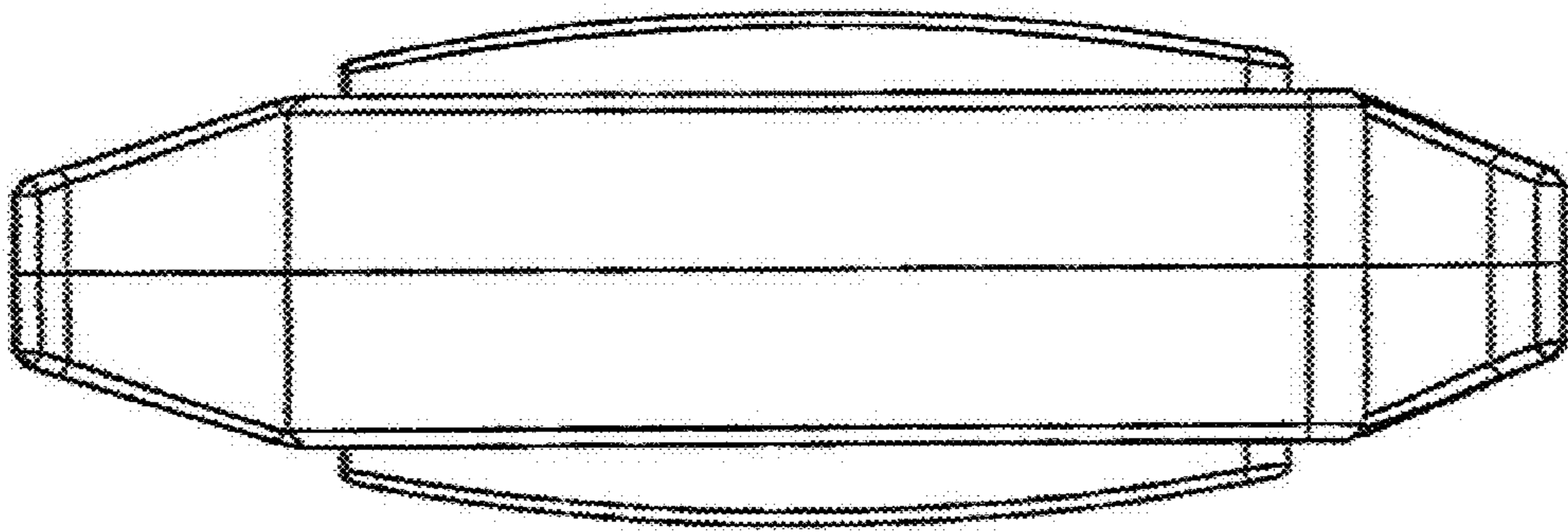


FIGURE 4

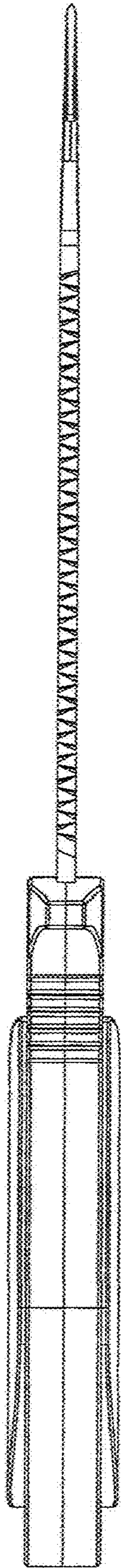


FIGURE 5

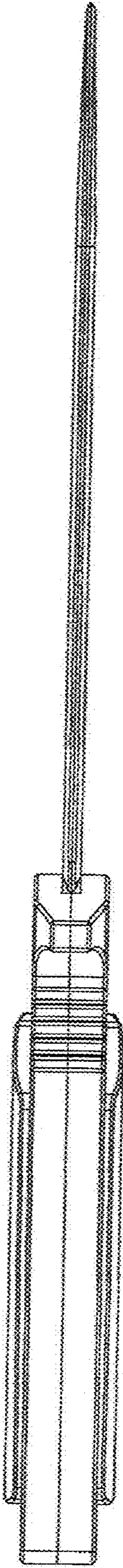


FIGURE 6