



US00D675698S

(12) **United States Design Patent**
Bietsch

(10) **Patent No.:** **US D675,698 S**

(45) **Date of Patent:** **** Feb. 5, 2013**

(54) **GUN SIGHT ADJUSTMENT DEVICE**

(76) Inventor: **Michael B. Bietsch**, Rio Rico, AZ (US)

(**) Term: **14 Years**

(21) Appl. No.: **29/390,270**

(22) Filed: **Apr. 22, 2011**

(51) **LOC (9) Cl.** **22-01**

(52) **U.S. Cl.** **D22/108; D22/199**

(58) **Field of Classification Search** D22/108,
D22/109, 110, 199; D8/16, 80, 83, 88, 89;
42/100; 33/233, 252, 613; 269/249, 251;
81/3.05; 29/257

See application file for complete search history.

(56) **References Cited**

U.S. PATENT DOCUMENTS

2,378,545	A *	6/1945	Fraser et al.	73/167
2,599,839	A *	6/1952	Keifer, Jr.	42/139
3,835,594	A *	9/1974	Szulman	451/369
4,927,126	A *	5/1990	Hoffman	269/60
5,149,071	A *	9/1992	Oliveira	269/43
D335,805	S *	5/1993	Ransom	D8/51
5,864,957	A *	2/1999	Small	42/111
6,513,276	B2 *	2/2003	Mendoza-Orozco	42/137

D622,807	S *	8/2010	Stone	D22/199
7,961,381	B2 *	6/2011	Pochapsky	359/353
2003/0106197	A1 *	6/2003	Emanuel	29/257

* cited by examiner

Primary Examiner — Michael A Pratt

(74) *Attorney, Agent, or Firm* — Dale F. Regelman; Nikia L. Gray; Quarles & Brady LLP

(57) **CLAIM**

The ornamental design for a gun sight adjustment device, as shown and described.

DESCRIPTION

FIG. 1 is a front perspective view of the design of this invention;

FIG. 2 is a back perspective view thereof;

FIG. 3 is a front view thereof;

FIG. 4 is a back view thereof;

FIG. 5 is a first side view thereof;

FIG. 6 is a second side view thereof;

FIG. 7 is a top end view thereof; and,

FIG. 8 is a bottom end view thereof.

The broken line showing of portions of the gun sight adjustment device is included for the purpose of illustrating environment and forms no part of the claimed design.

1 Claim, 8 Drawing Sheets

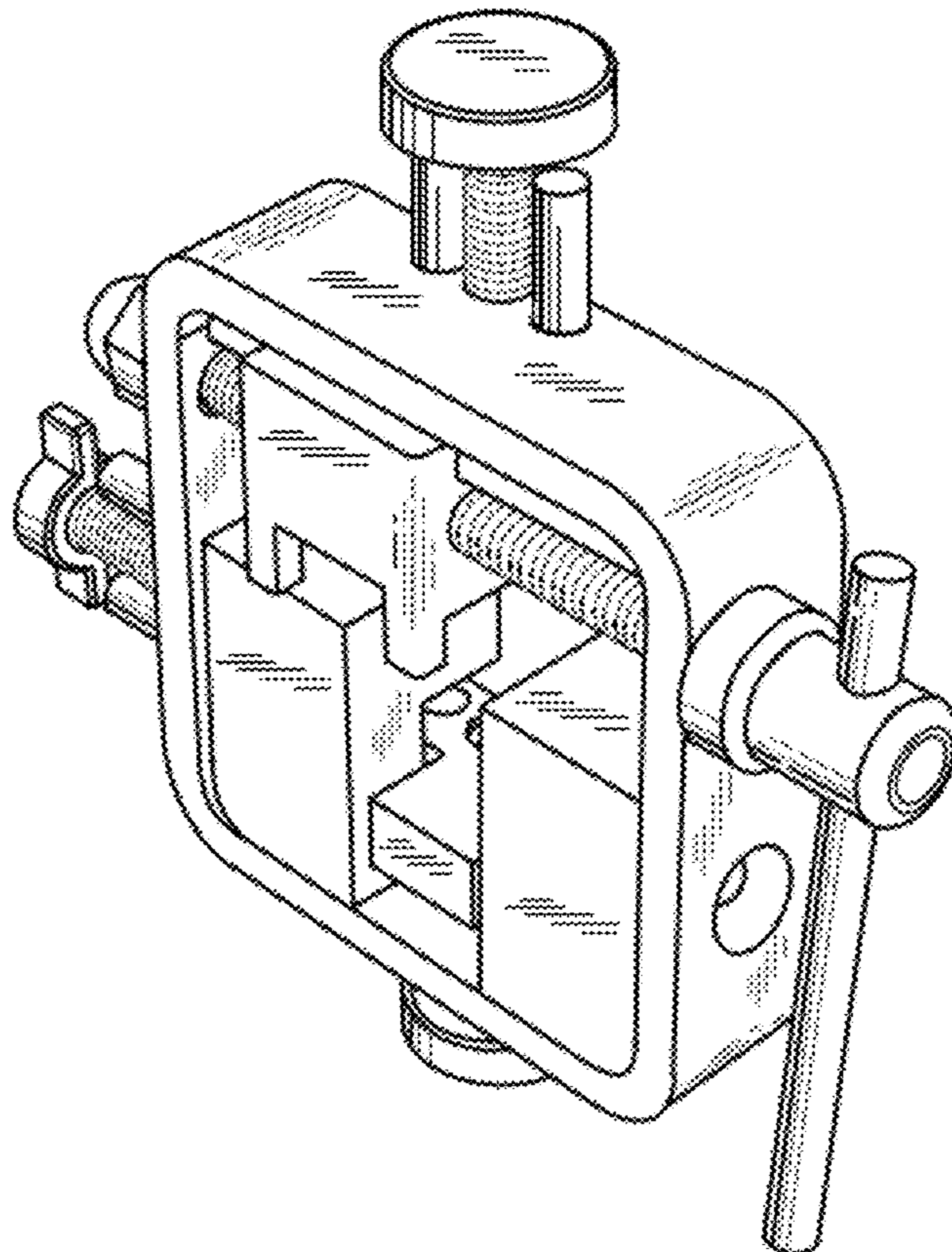


FIG. 1

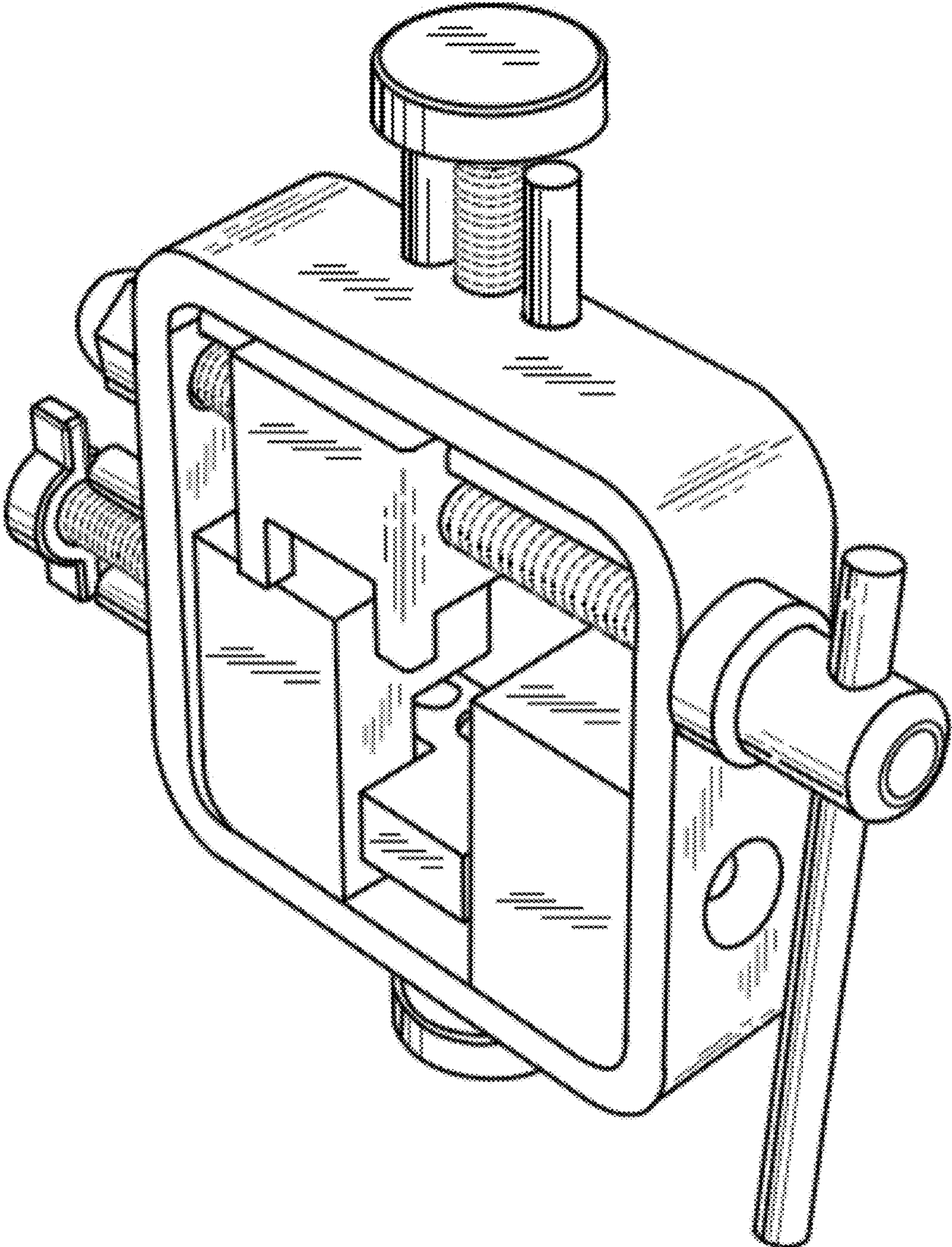


FIG. 2

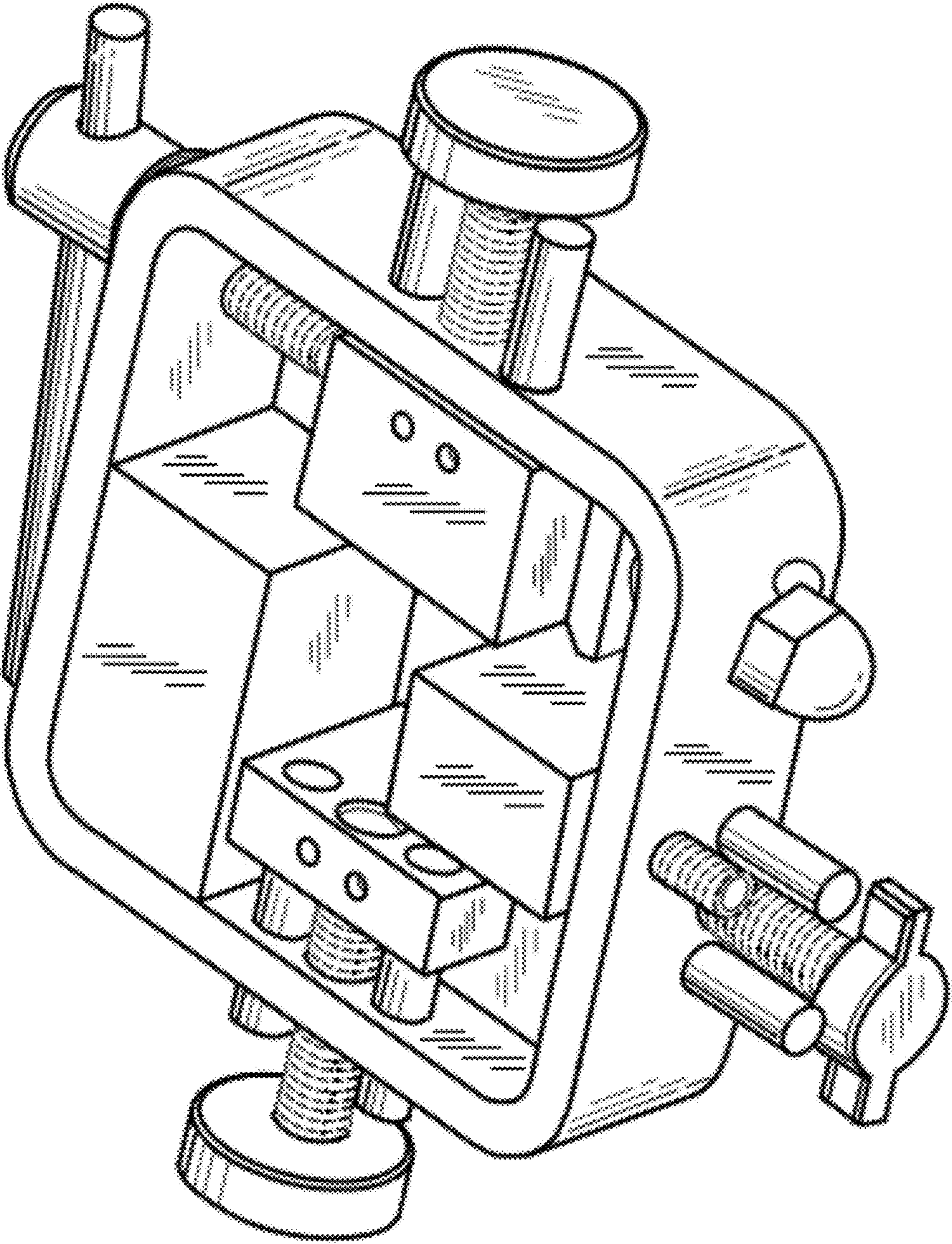


FIG. 3

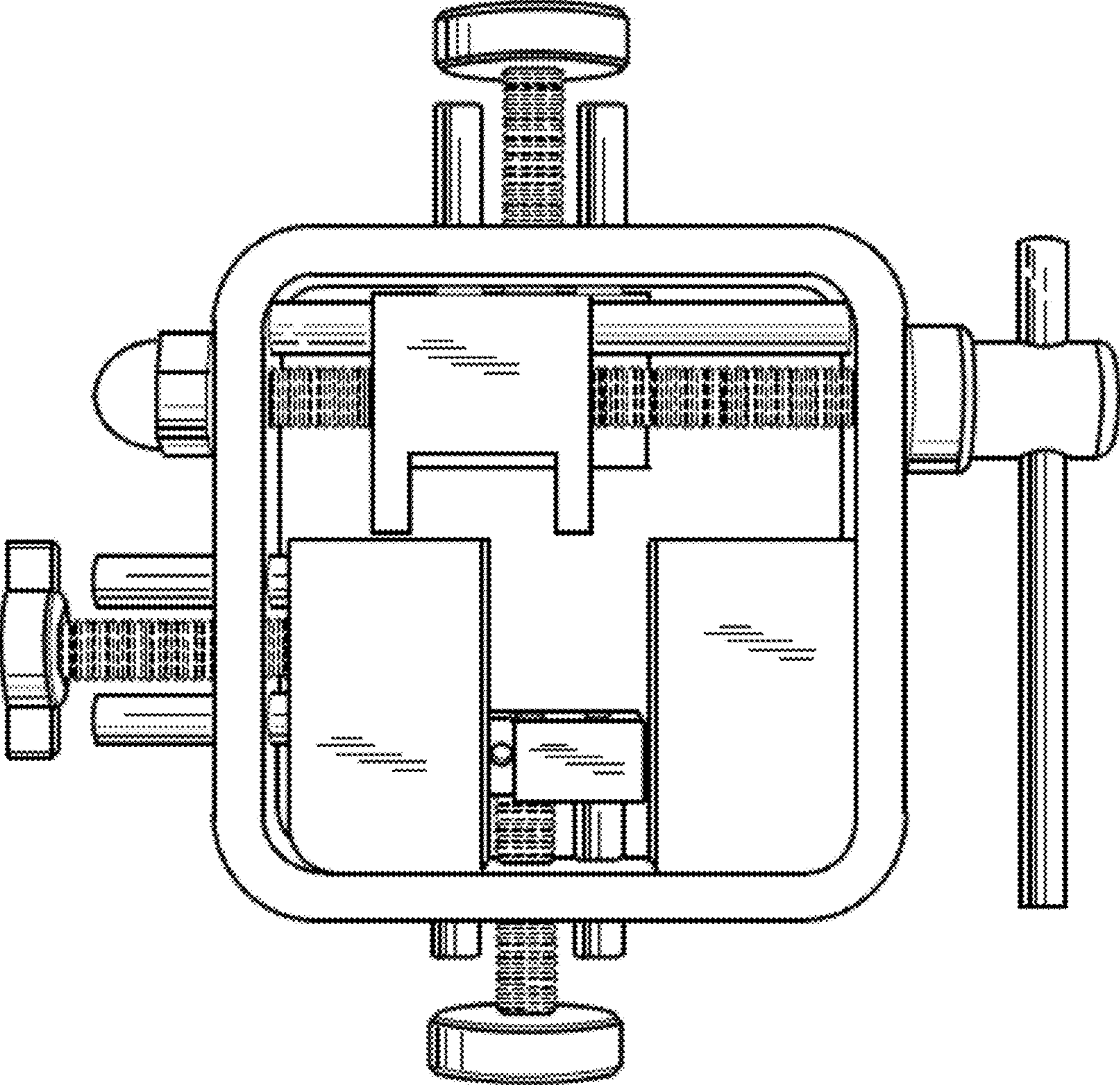


FIG. 4

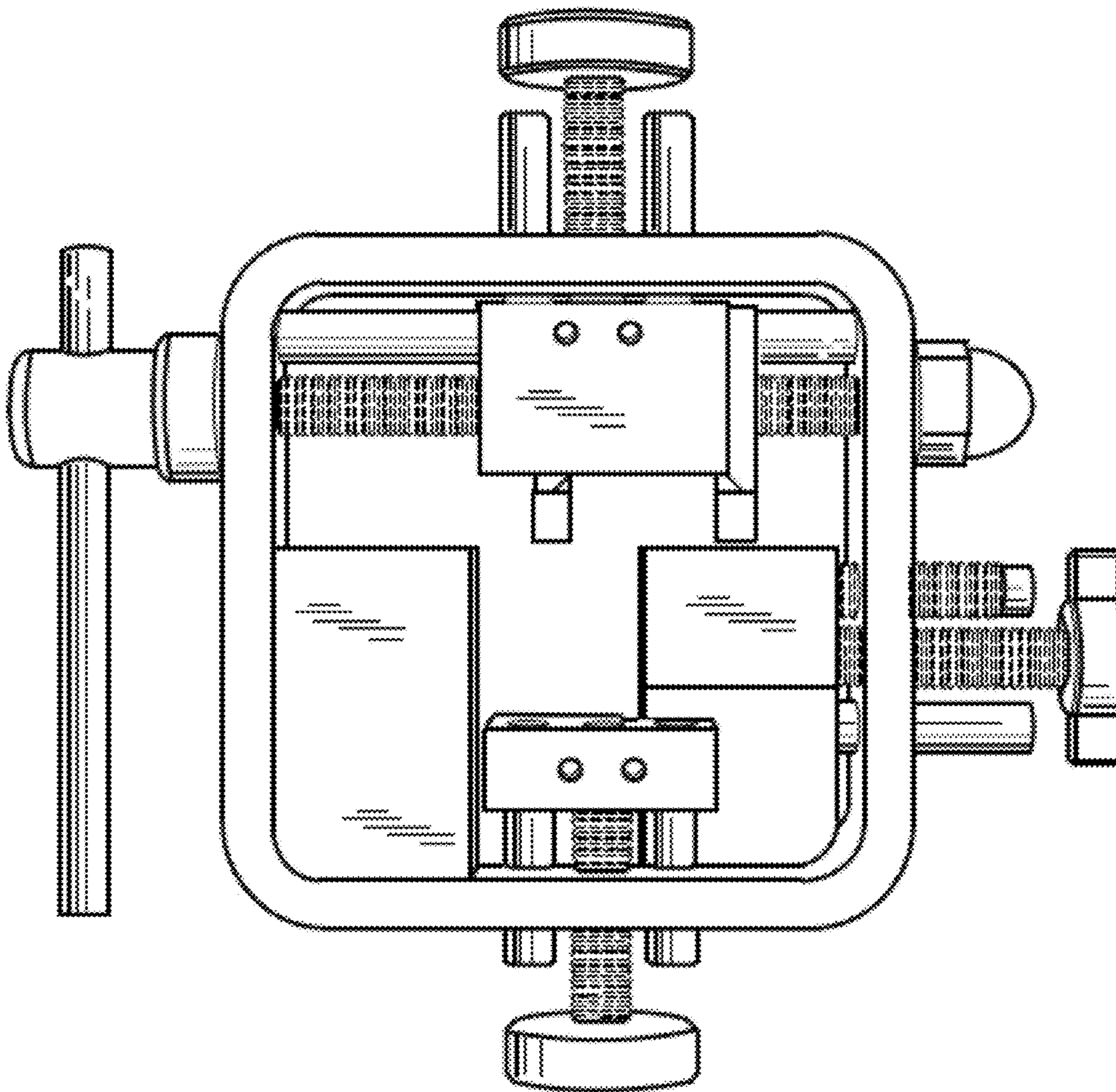


FIG. 5

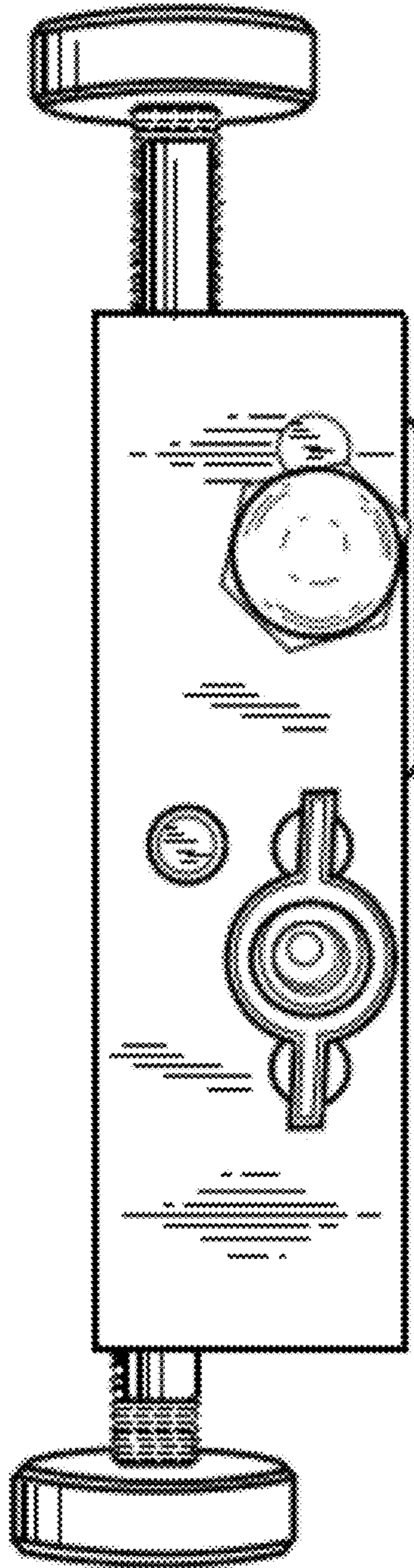


FIG. 6

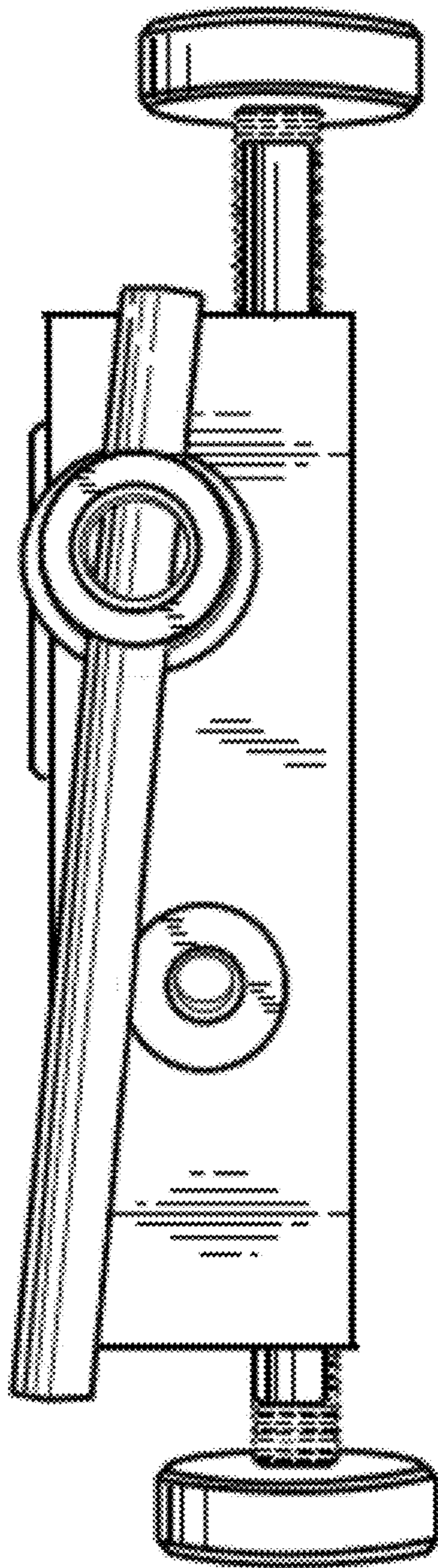


FIG. 7

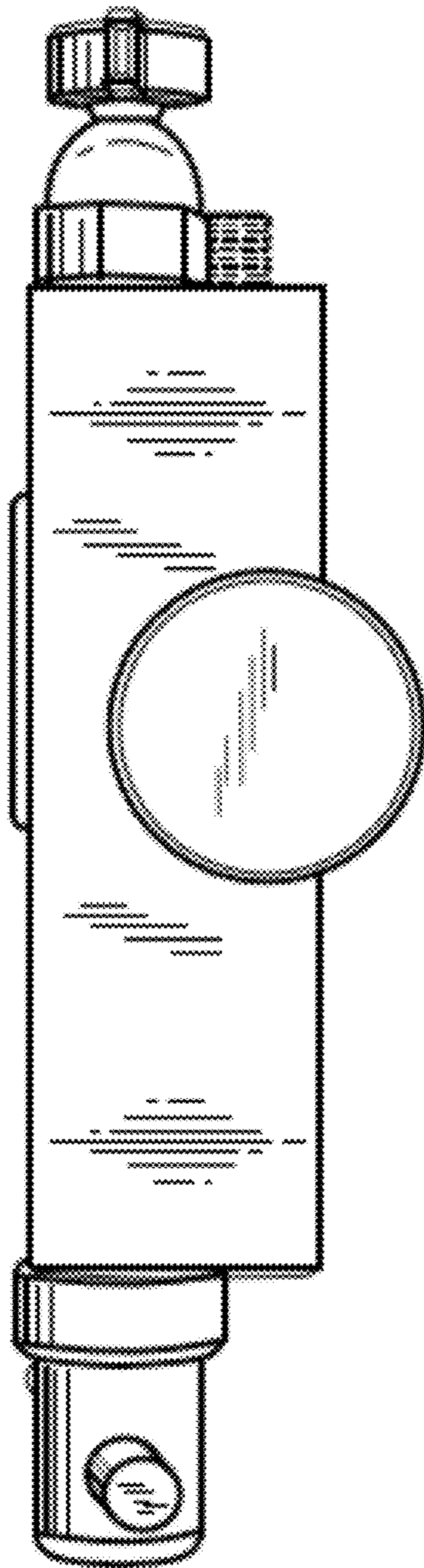


FIG. 8

