



US00D675696S

(12) **United States Design Patent**  
**Fu et al.**

(10) **Patent No.:** **US D675,696 S**

(45) **Date of Patent:** **\*\* Feb. 5, 2013**

(54) **TRAINER FOR MARTIAL ARTS**

(76) Inventors: **Dickson Fu**, Taipei (TW); **David Fu**,  
New Taipei (TW)

(\*\*) Term: **14 Years**

(21) Appl. No.: **29/401,768**

(22) Filed: **Sep. 15, 2011**

(51) **LOC (9) Cl.** ..... **21-02**

(52) **U.S. Cl.** ..... **D21/798**

(58) **Field of Classification Search** ..... D21/662,  
D21/676, 687, 690-691, 694, 686, 673, 675,  
D21/787, 798; 482/83, 84, 86-87, 89, 90,  
482/138, 140, 142, 144-145, 220  
See application file for complete search history.

(56) **References Cited**

**U.S. PATENT DOCUMENTS**

602,517	A *	4/1898	McFadden	.....	482/87
1,481,594	A *	1/1924	Fitzgerald	.....	482/85
1,995,495	A *	3/1935	Barnick	.....	482/86
2,237,599	A *	4/1941	Gilman	.....	473/444
3,637,210	A *	1/1972	Brantley	.....	473/443
D223,843	S *	6/1972	Li	.....	D21/681
3,705,579	A *	12/1972	Morini et al.	.....	601/121
D265,333	S *	7/1982	Lee	.....	D21/798
D356,127	S *	3/1995	Mara	.....	D21/798
5,415,552	A *	5/1995	Harmon et al.	.....	473/442
5,624,358	A *	4/1997	Hestilow	.....	482/90
5,897,466	A *	4/1999	Capach	.....	482/83

5,941,801	A *	8/1999	D'Alto	.....	482/90
D445,855	S *	7/2001	Kumazawa	.....	D21/684
6,432,027	B1 *	8/2002	Haselrig	.....	482/83
D478,947	S *	8/2003	Lu	.....	D21/662
D483,828	S *	12/2003	Perez	.....	D21/798
D492,791	S *	7/2004	Alexander	.....	D24/211
RE39,372	E *	11/2006	Kuo	.....	D21/787
D538,359	S *	3/2007	Yordinsky	.....	D21/681

\* cited by examiner

*Primary Examiner* — Susan E Krakower

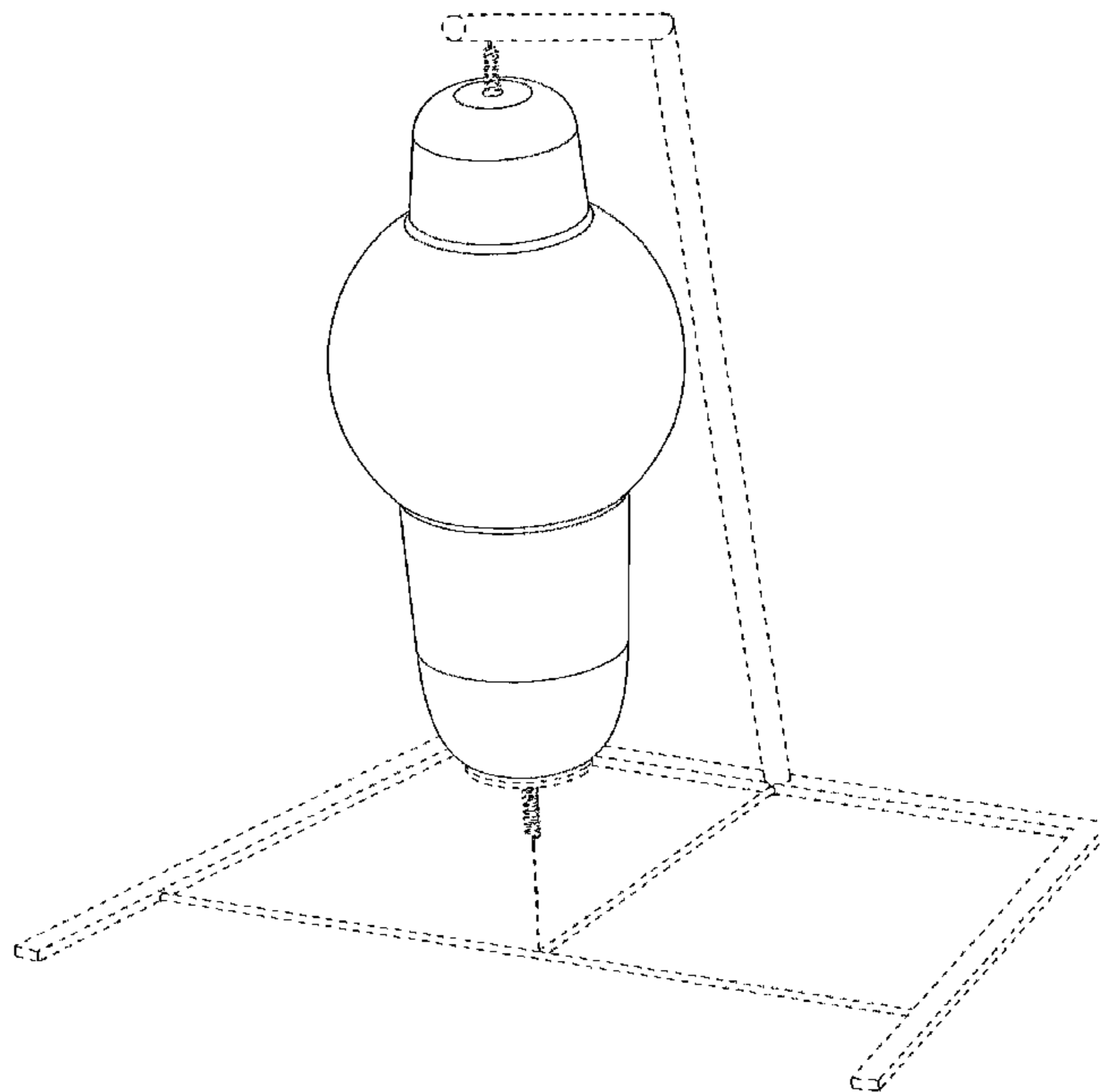
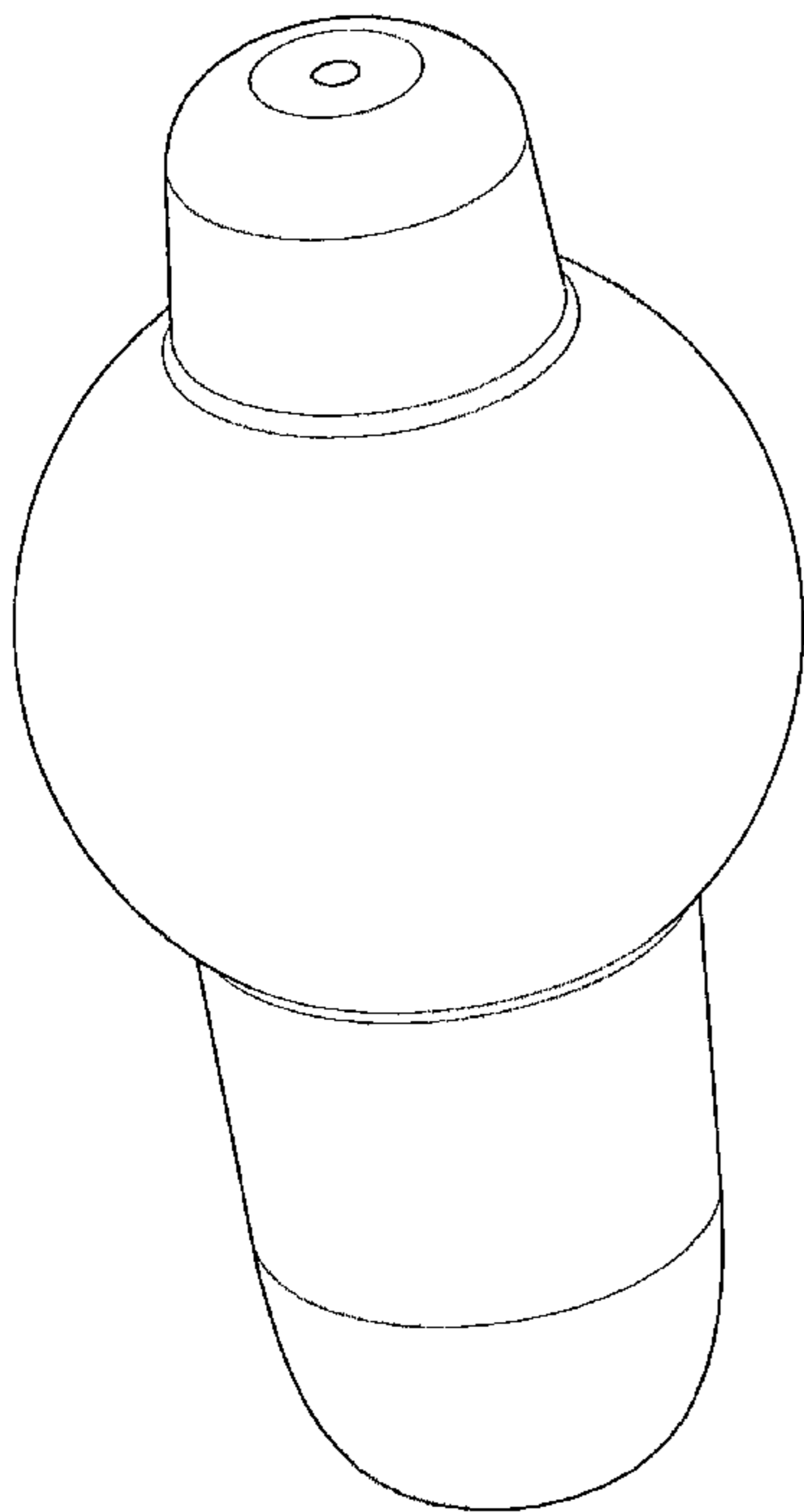
(57) **CLAIM**

The ornamental design for a trainer for martial arts, as shown and described.

**DESCRIPTION**

FIG. 1 is a perspective view of a trainer for martial arts showing our new design;  
 FIG. 2 is a front elevational view thereof;  
 FIG. 3 is a rear elevational view thereof;  
 FIG. 4 is a left side elevational view thereof;  
 FIG. 5 is a right side elevational view thereof;  
 FIG. 6 is a bottom plan view thereof;  
 FIG. 7 is a top plan view thereof;  
 FIG. 8 is a perspective view showing an exemplification of the trainer for martial arts in use; and,  
 FIG. 9 is a perspective view showing another exemplification of the trainer for martial arts in use.  
 The broken lines illustrate environmental structure which forms no part of the claimed design.

**1 Claim, 9 Drawing Sheets**



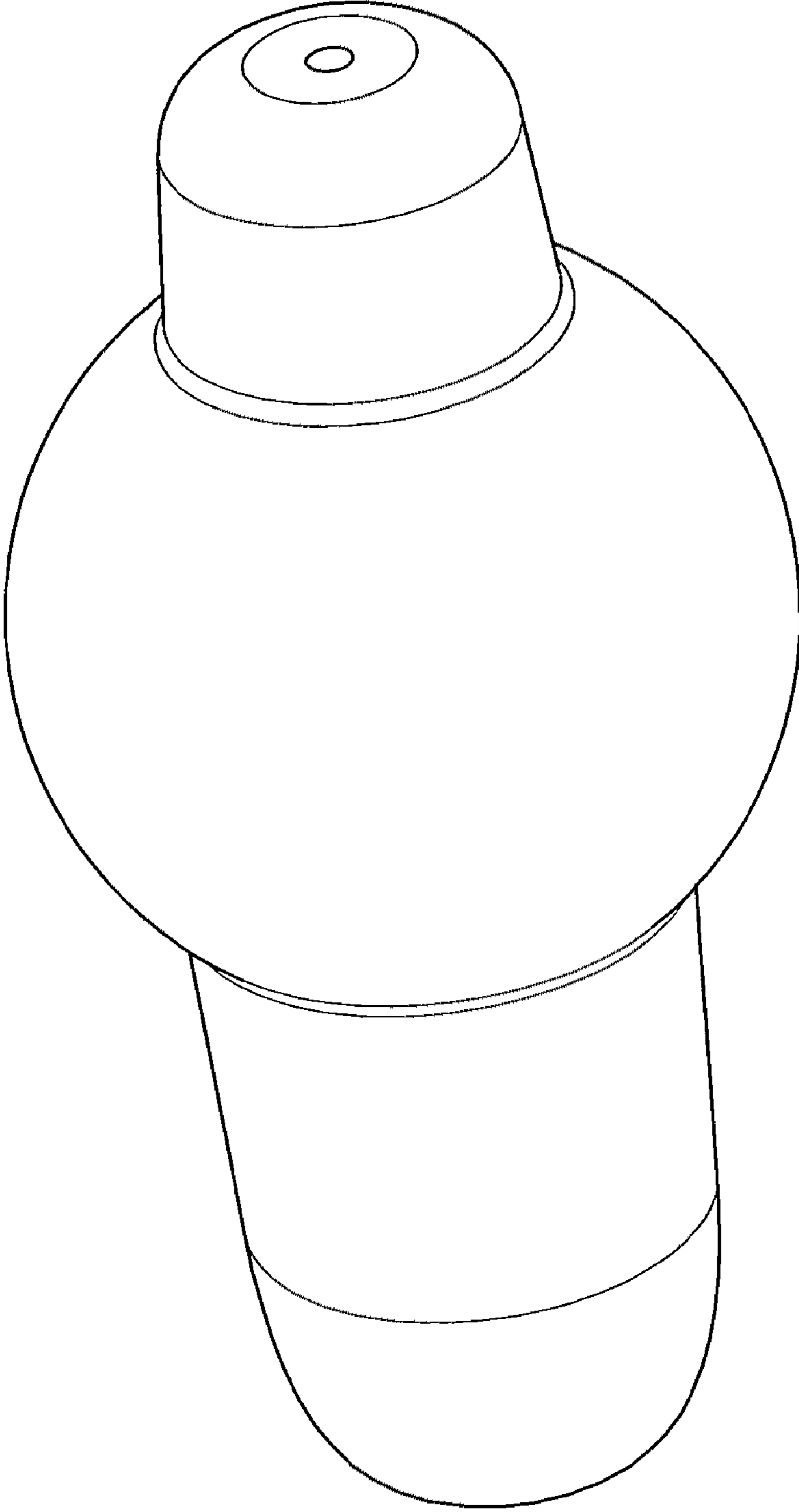


Fig.1

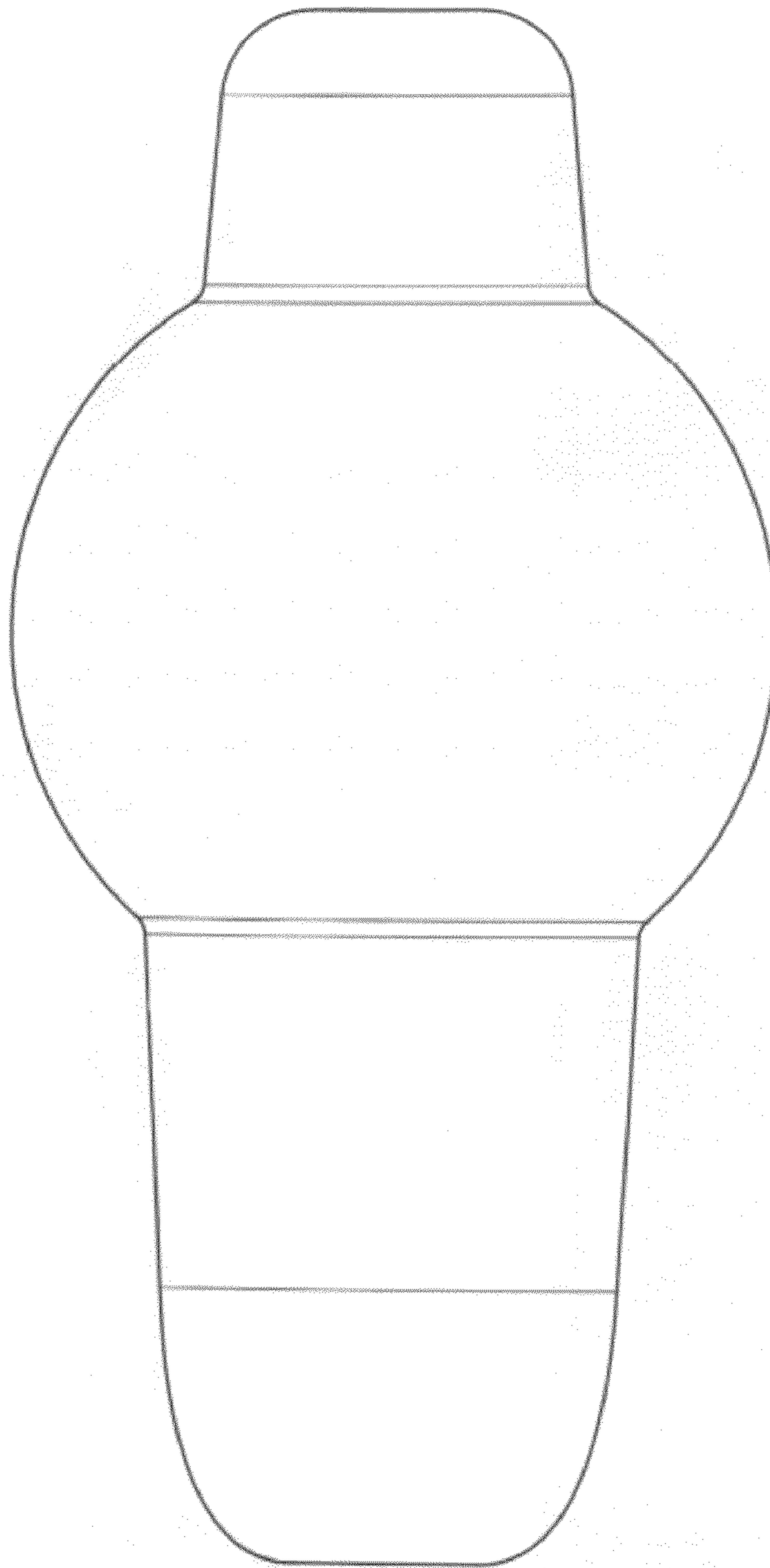


Fig. 2

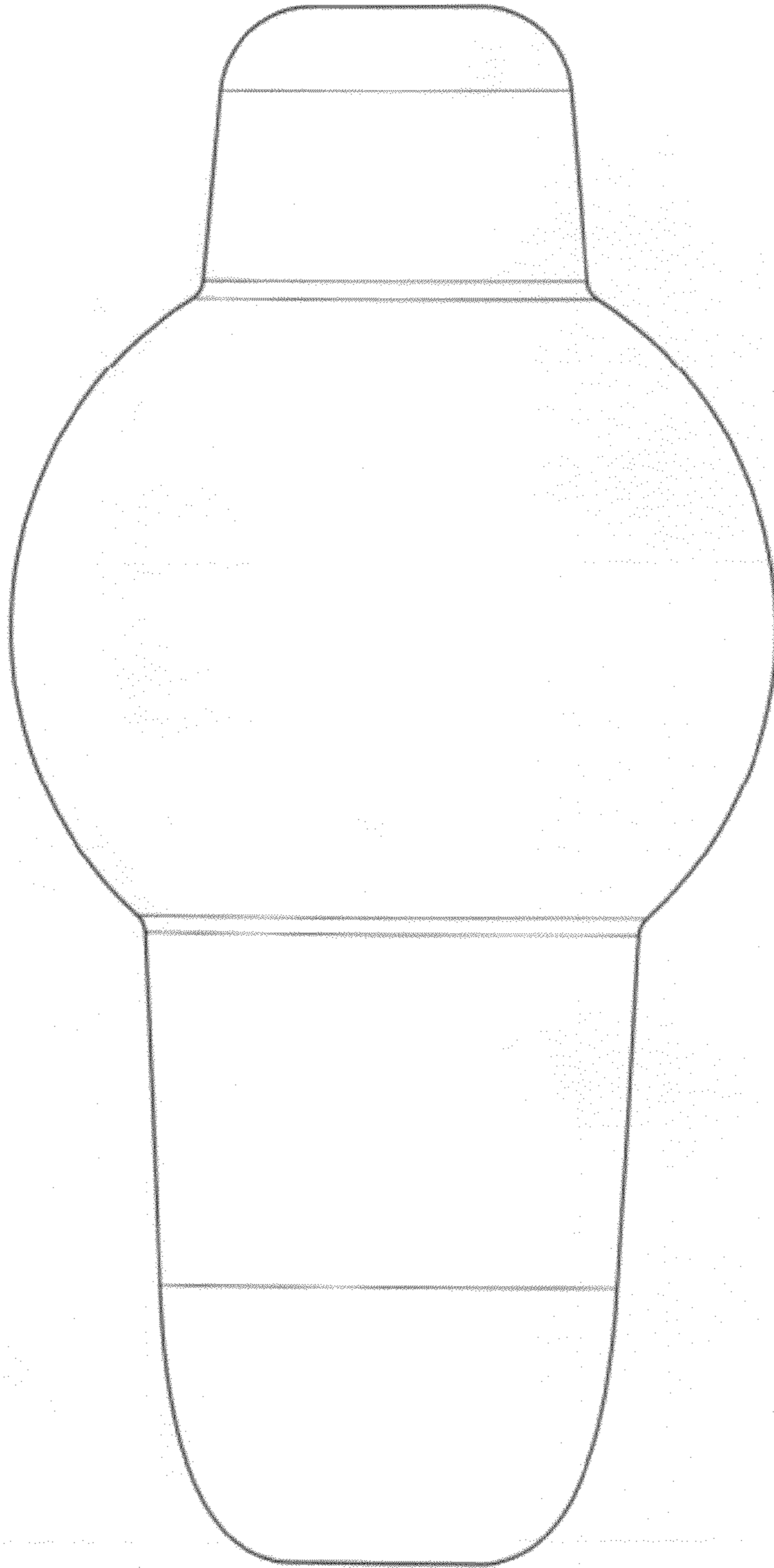


Fig. 3

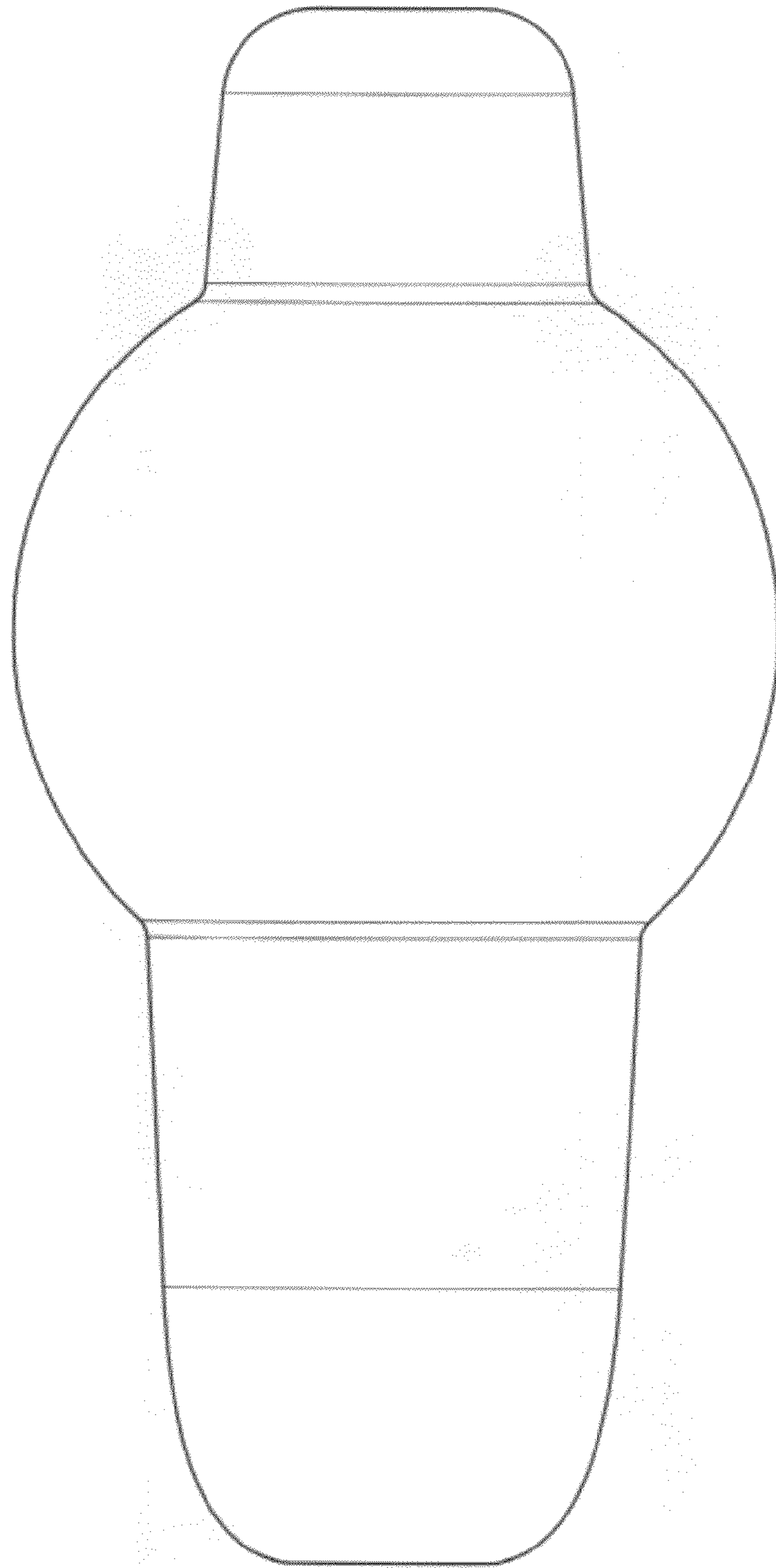


Fig. 4

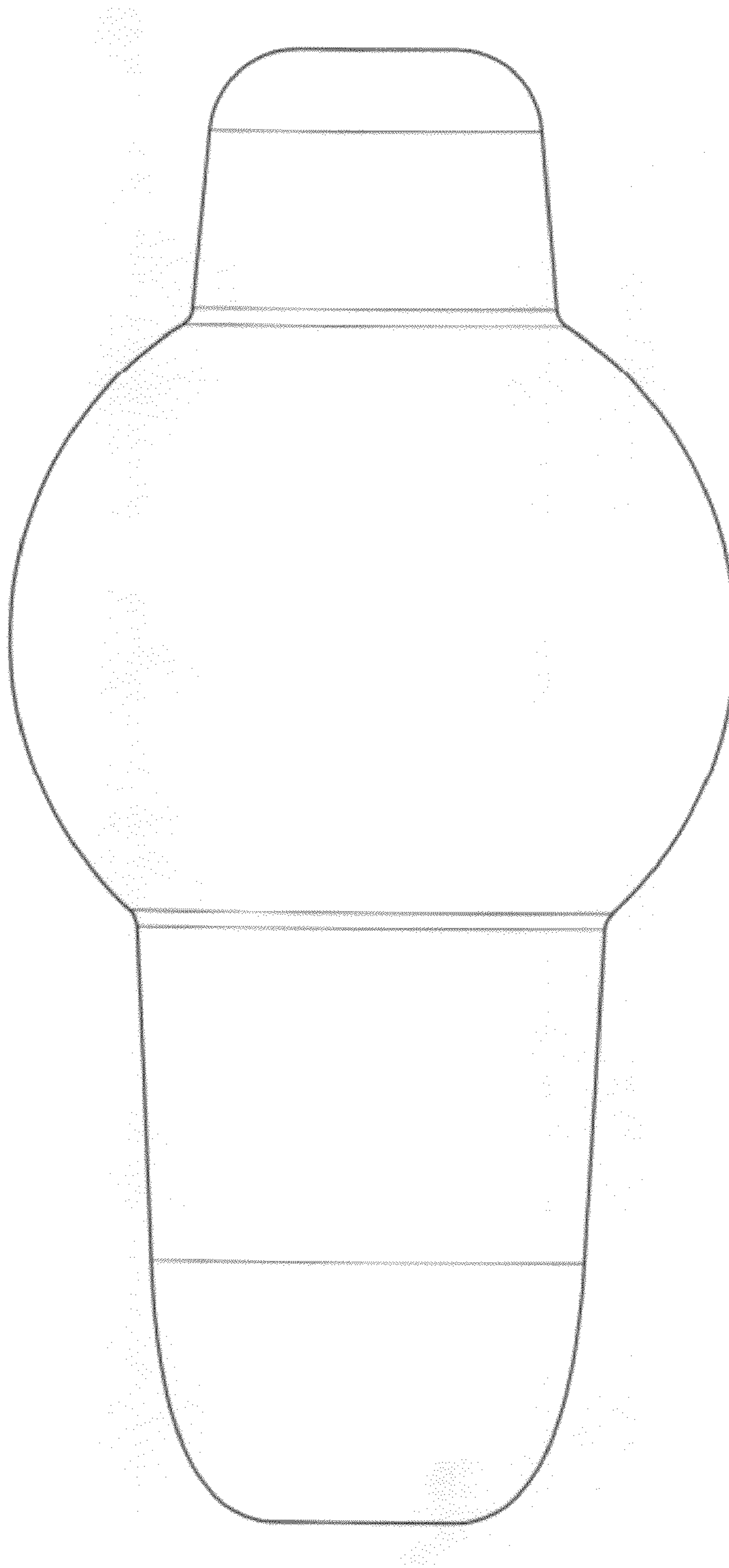


Fig. 5

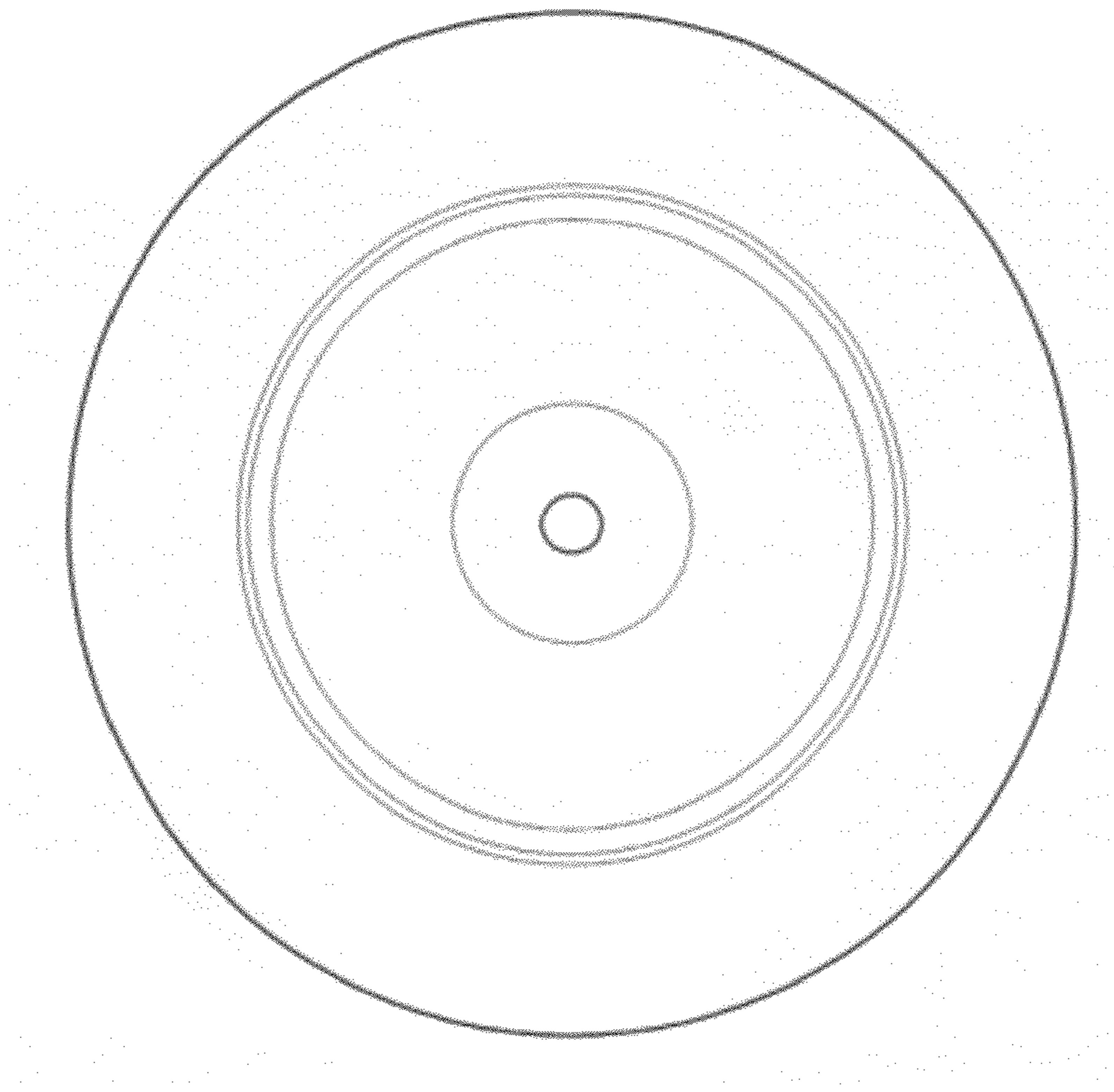


Fig. 6



Fig. 7



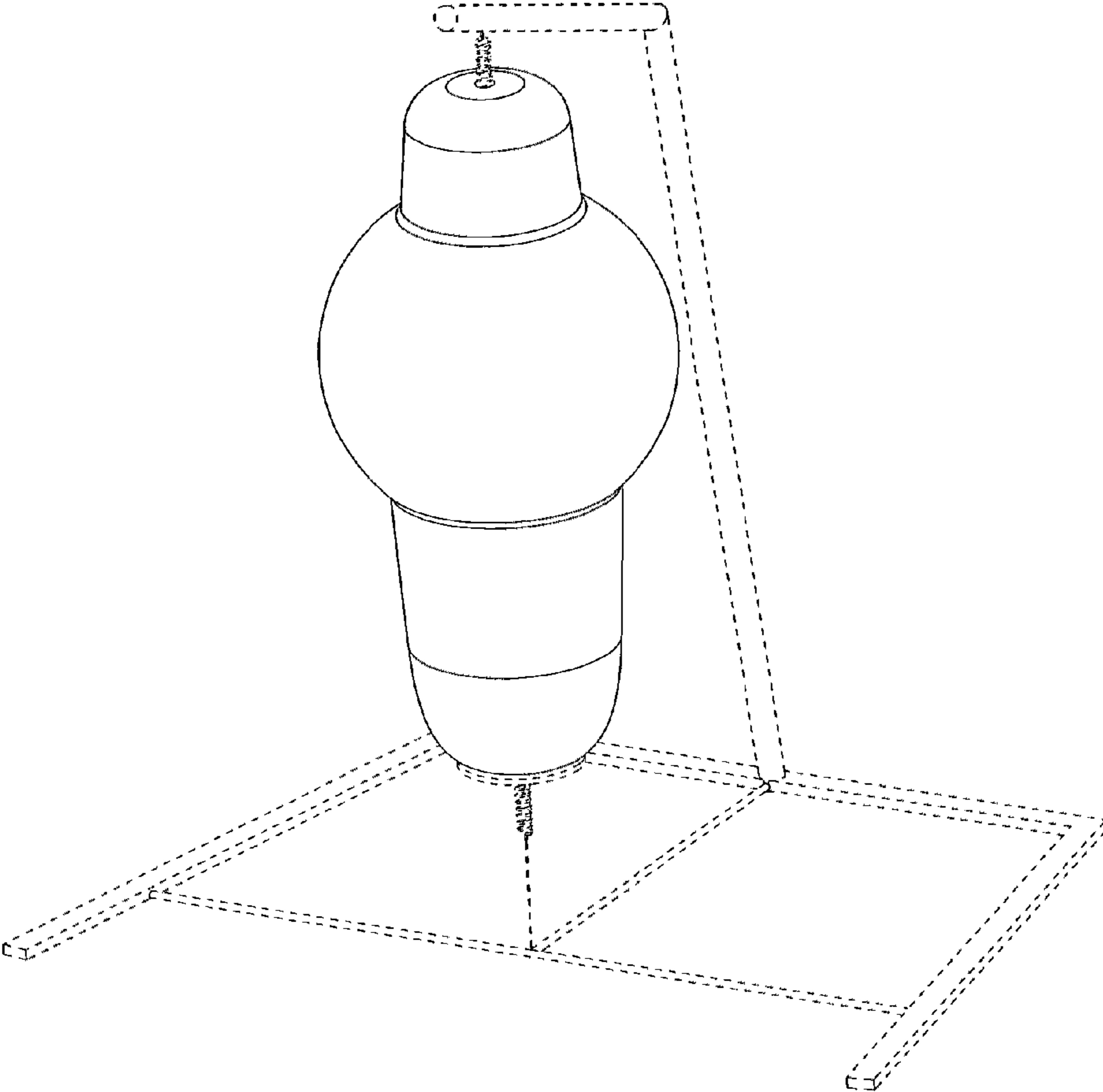


Fig.8

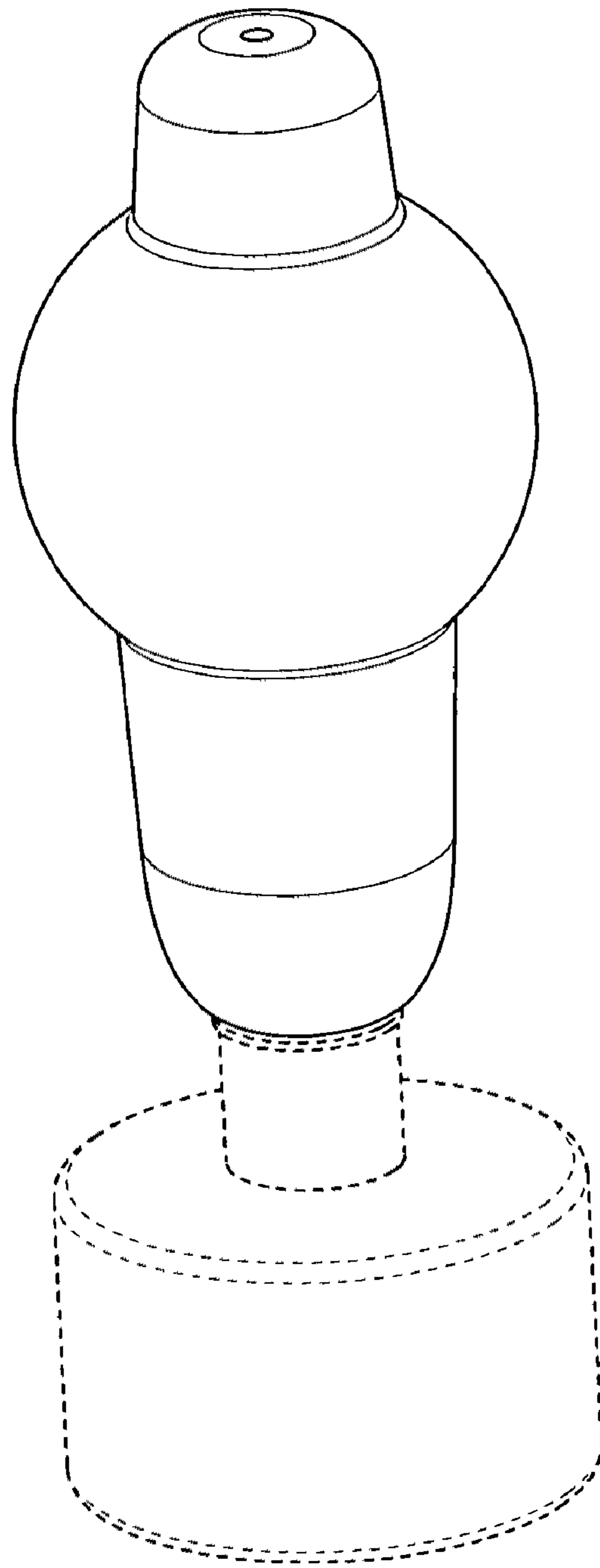


Fig.9