



US00D675695S

(12) **United States Design Patent**
Wallen

(10) **Patent No.:** **US D675,695 S**
(45) **Date of Patent:** **** Feb. 5, 2013**

(54) **GOLF BALL MARKER HOLDER**

(76) Inventor: **Teresa L. Wallen**, Lexington, KY (US)

(**) Term: **14 Years**

(21) Appl. No.: **29/411,712**

(22) Filed: **Jan. 25, 2012**

(51) **LOC (9) Cl.** **21-02**

(52) **U.S. Cl.** **D21/796; D21/794**

(58) **Field of Classification Search** D21/789,
D21/793-794; 473/285, 406, 205, 213
See application file for complete search history.

(56) **References Cited**

U.S. PATENT DOCUMENTS

D252,289 S *	7/1979	Furin	D21/794
5,135,220 A *	8/1992	Baldoni	473/406
D346,843 S *	5/1994	Flynn	D21/794
6,569,039 B1 *	5/2003	Cope	473/406
6,984,183 B2 *	1/2006	Cope	473/406
D540,902 S *	4/2007	Regalado	D21/794
7,226,370 B1 *	6/2007	Cope	473/406

* cited by examiner

Primary Examiner — Mitchell Siegel

(74) *Attorney, Agent, or Firm* — Bingham Greenbaum Doll LLP; James C. Eaves, Jr.; Brian W. Chellgren

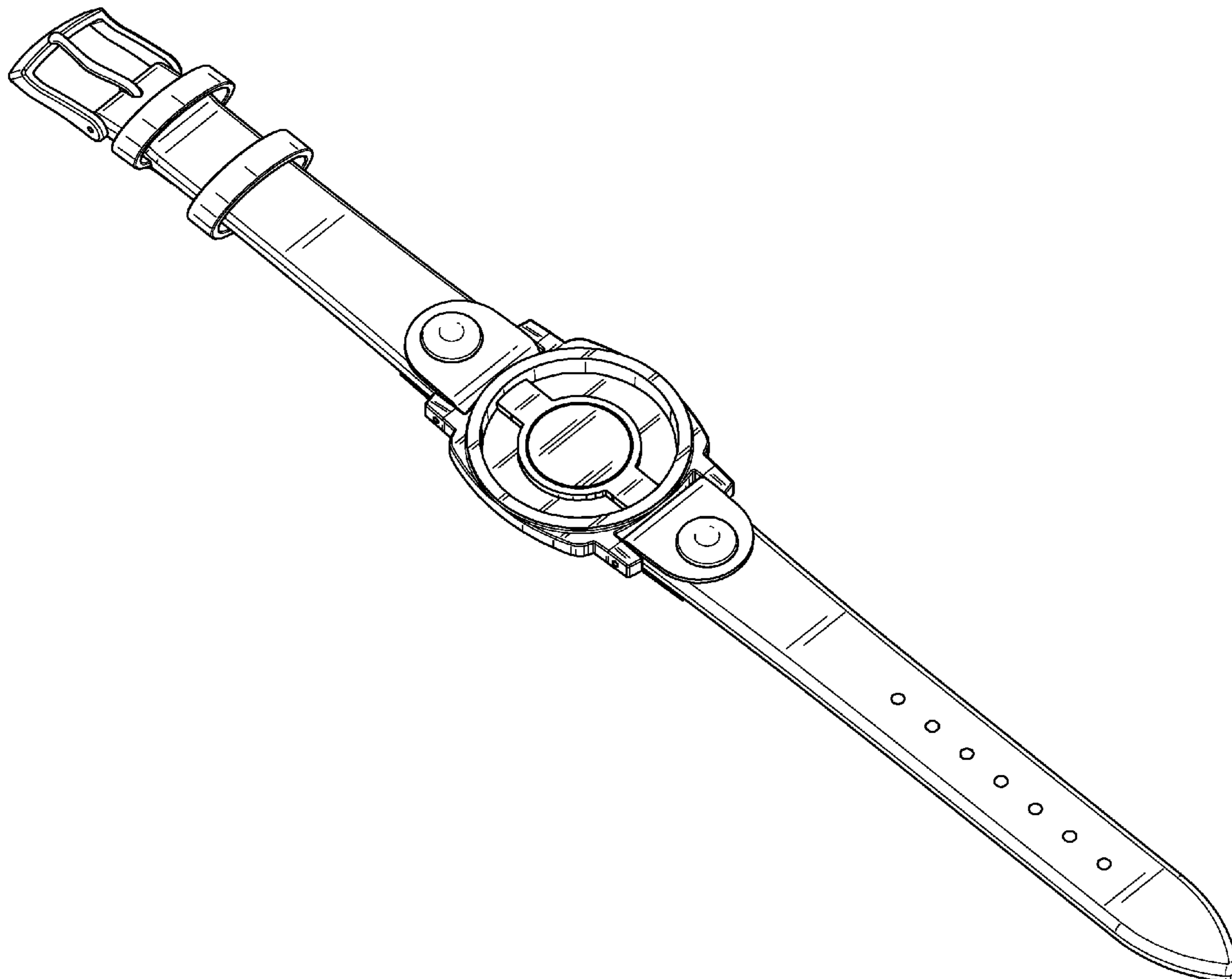
(57) **CLAIM**

The ornamental design for a golf ball marker holder, as shown and described.

DESCRIPTION

FIG. 1 is a top perspective view of the golf ball marker holder of the present design;
FIG. 2 is a bottom perspective view of the golf ball marker holder;
FIG. 3 is a top plan view of the golf ball marker holder;
FIG. 4 is a bottom plan view of the golf ball marker holder;
FIG. 5 is the buckled strap-end view of the golf ball marker holder;
FIG. 6 is the insertable strap-end view of the golf ball marker holder;
FIG. 7 is a left side elevational view of the golf ball marker holder; and,
FIG. 8 is a right side elevational view of the golf ball marker holder.

1 Claim, 5 Drawing Sheets



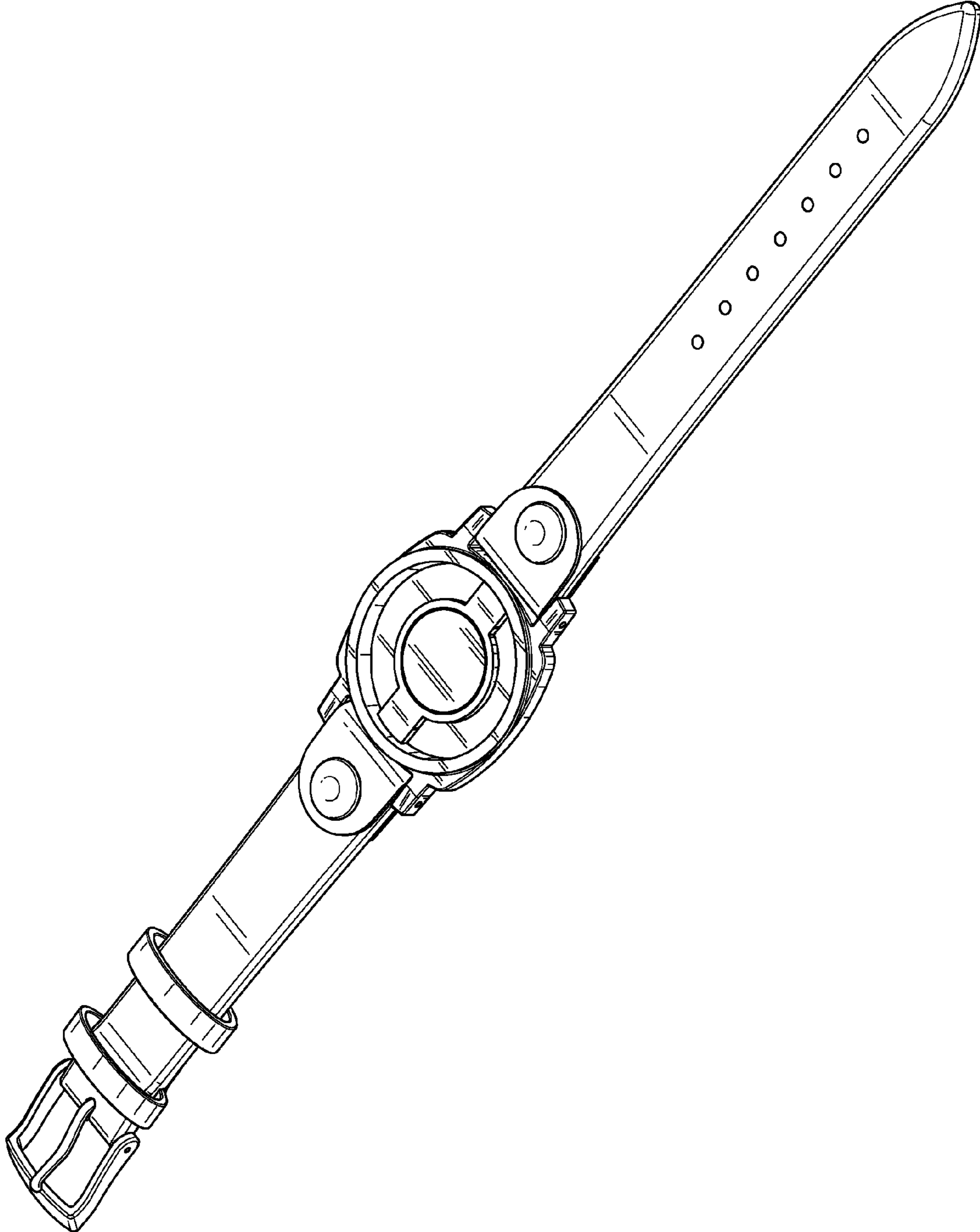


FIG. 1

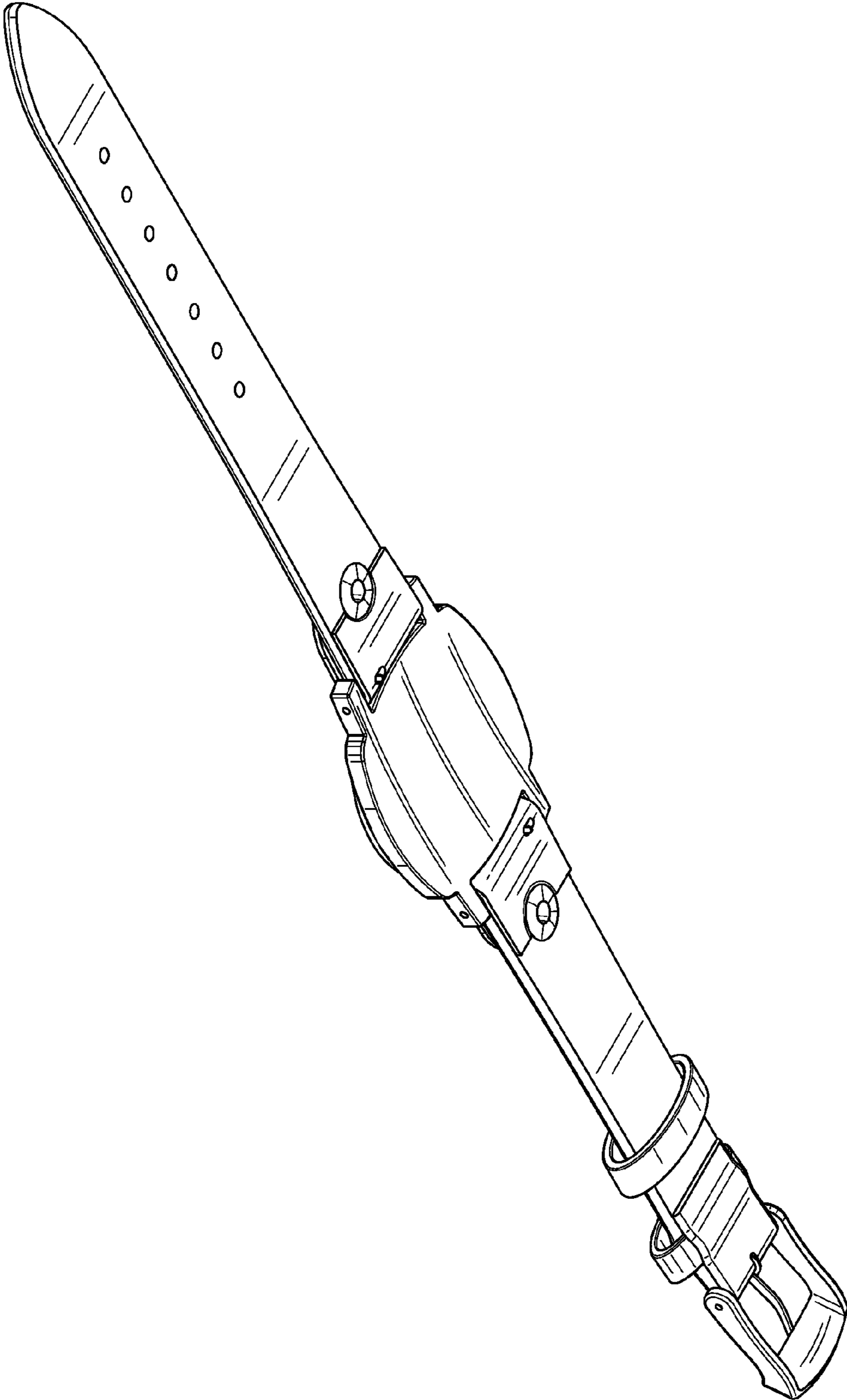


FIG. 2

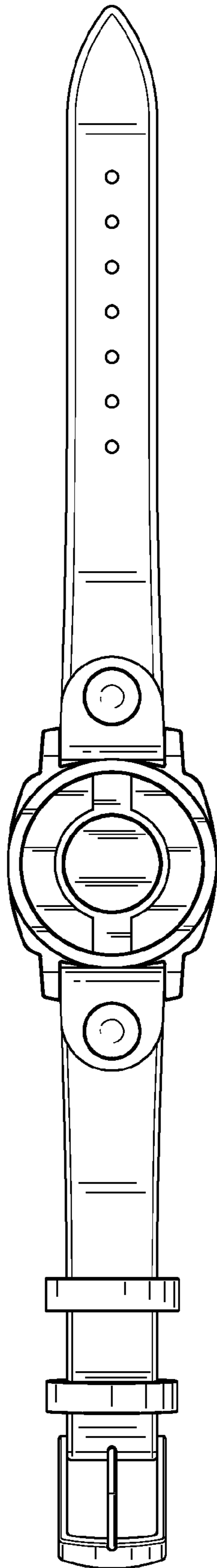


FIG. 3

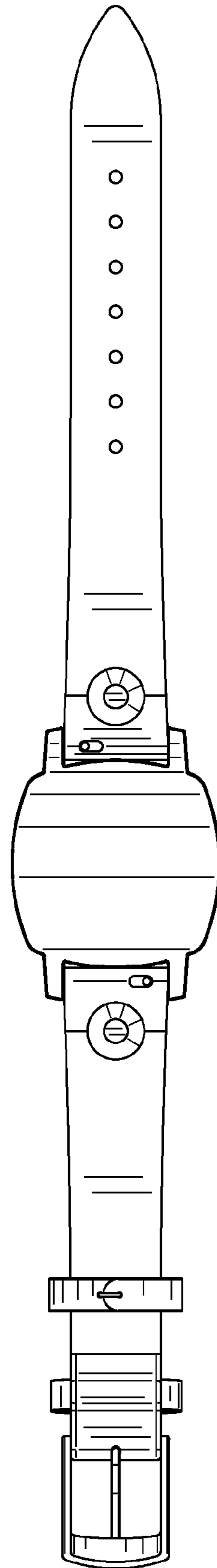


FIG. 4

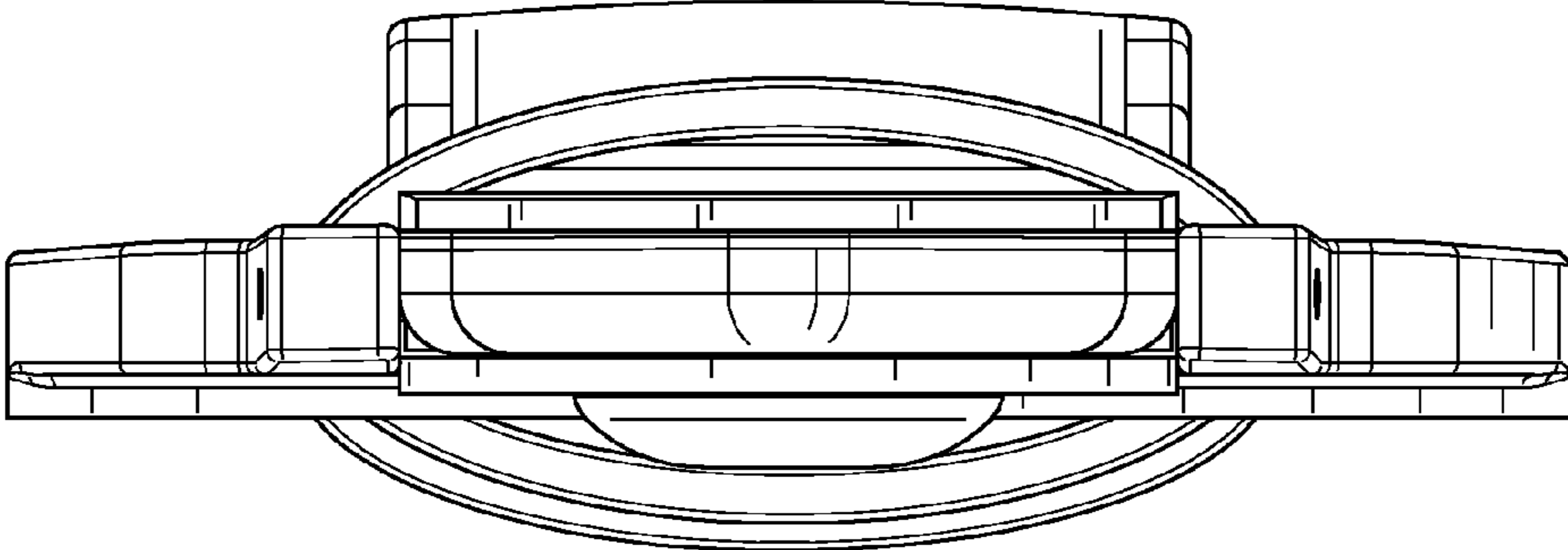


FIG. 6

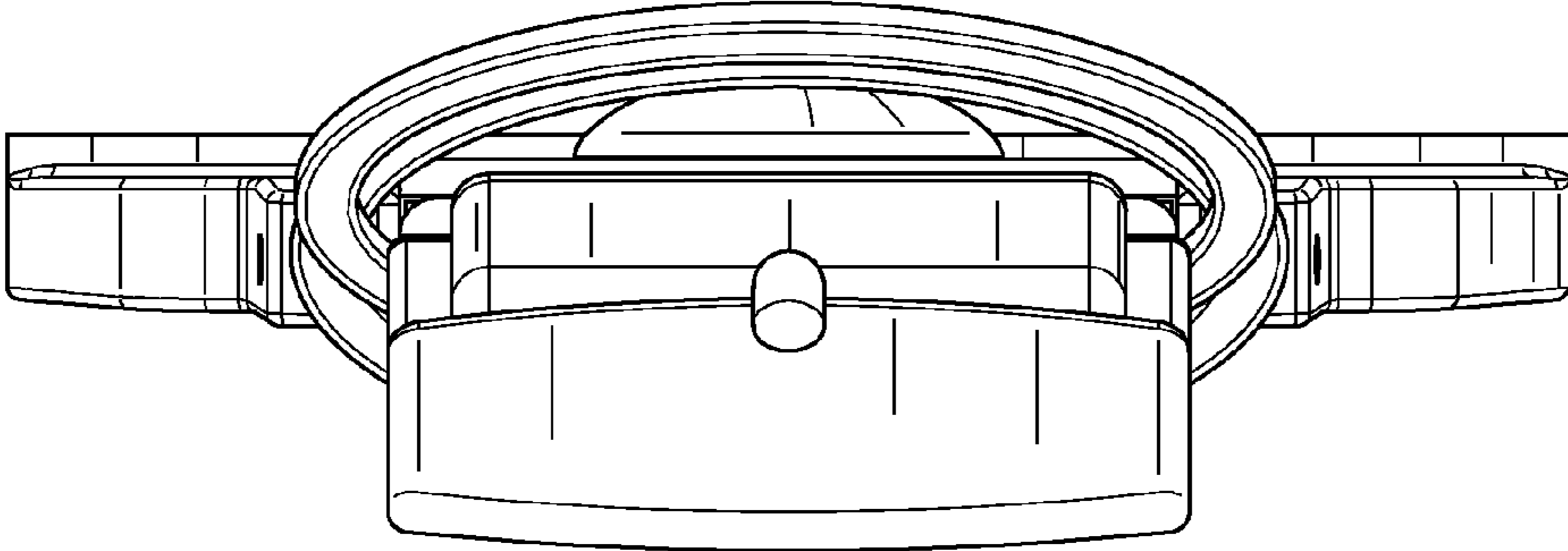


FIG. 5

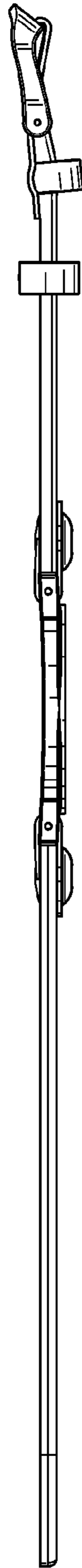


FIG. 7

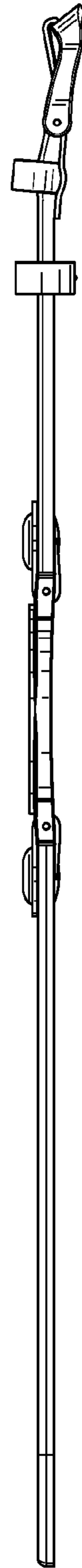


FIG. 8