



US00D675694S

(12) **United States Design Patent**  
**Chang**

(10) **Patent No.:** **US D675,694 S**

(45) **Date of Patent:** **\*\* Feb. 5, 2013**

(54) **BALL MARKER BELT LOOP CLIP**

*Primary Examiner* — Mitchell Siegel

(76) **Inventor:** **Susan Chang**, Vernon Hills, IL (US)

(74) *Attorney, Agent, or Firm* — Sang K Lee

(\*\*) **Term:** **14 Years**

(21) **Appl. No.:** **29/412,956**

(57) **CLAIM**

(22) **Filed:** **Feb. 9, 2012**

The ornamental design for a ball marker belt loop clip, as shown and described.

(51) **LOC (9) Cl.** ..... **21-02**

(52) **U.S. Cl.** ..... **D21/794**

(58) **Field of Classification Search** ..... D21/789,  
D21/793, 794, 796; D3/207, 208; D11/1,  
D11/2, 11, 79; 473/285, 406; D10/31

See application file for complete search history.

**DESCRIPTION**

(56) **References Cited**

**U.S. PATENT DOCUMENTS**

D445,039 S *	7/2001	Finkay	.....	D10/31
D474,980 S *	5/2003	Finkay	.....	D10/31
D569,472 S *	5/2008	Wang et al.	.....	D21/793
D653,722 S *	2/2012	Morris et al.	.....	D21/796
2009/0156322 A1 *	6/2009	Luly et al.	.....	473/206

FIG. 1 is a front view of the ball marker belt loop clip showing my new design;

FIG. 2 is a rear view thereof;

FIG. 3 is a bottom view thereof;

FIG. 4 is a top view thereof;

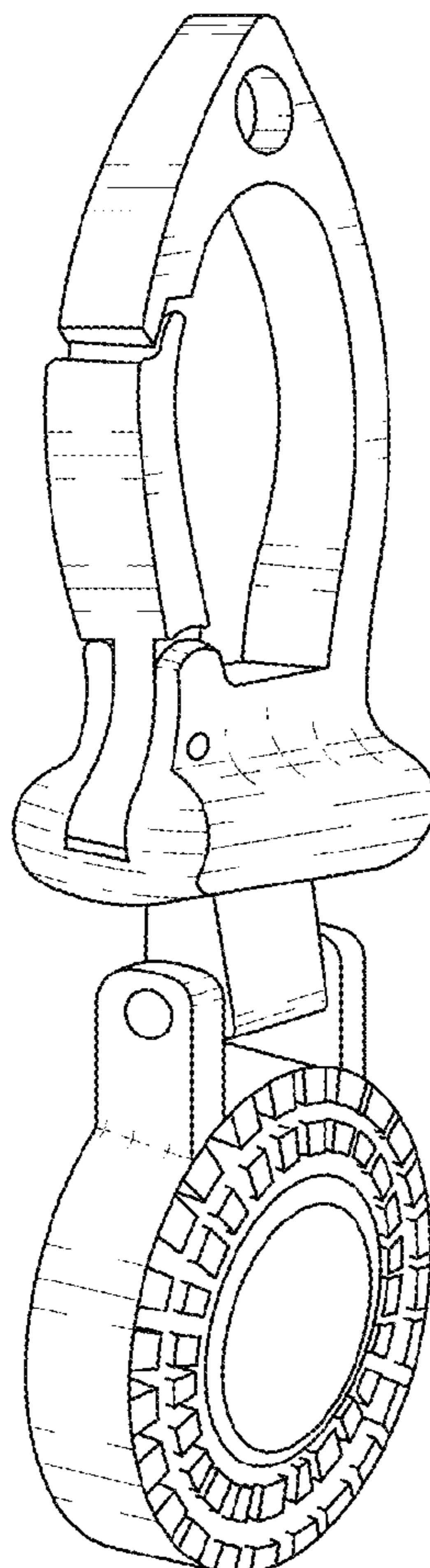
FIG. 5 is a right side view thereof;

FIG. 6 is a left side view thereof; and,

FIG. 7 is a front right perspective view thereof.

\* cited by examiner

**1 Claim, 3 Drawing Sheets**



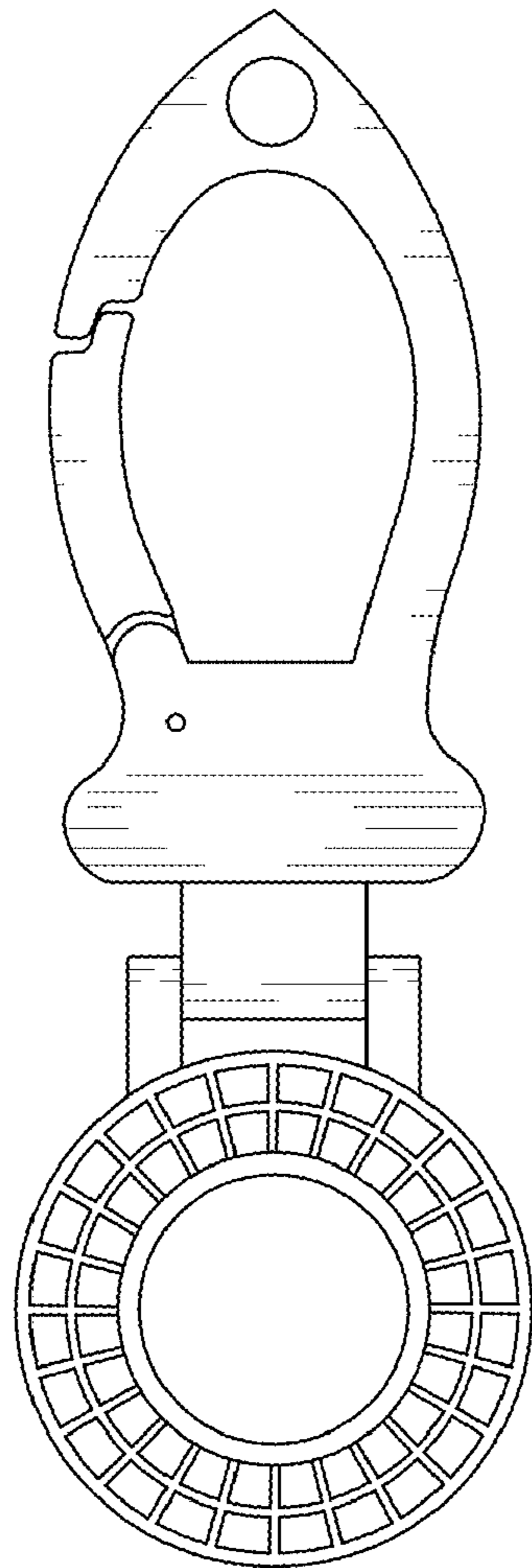


FIG. 1

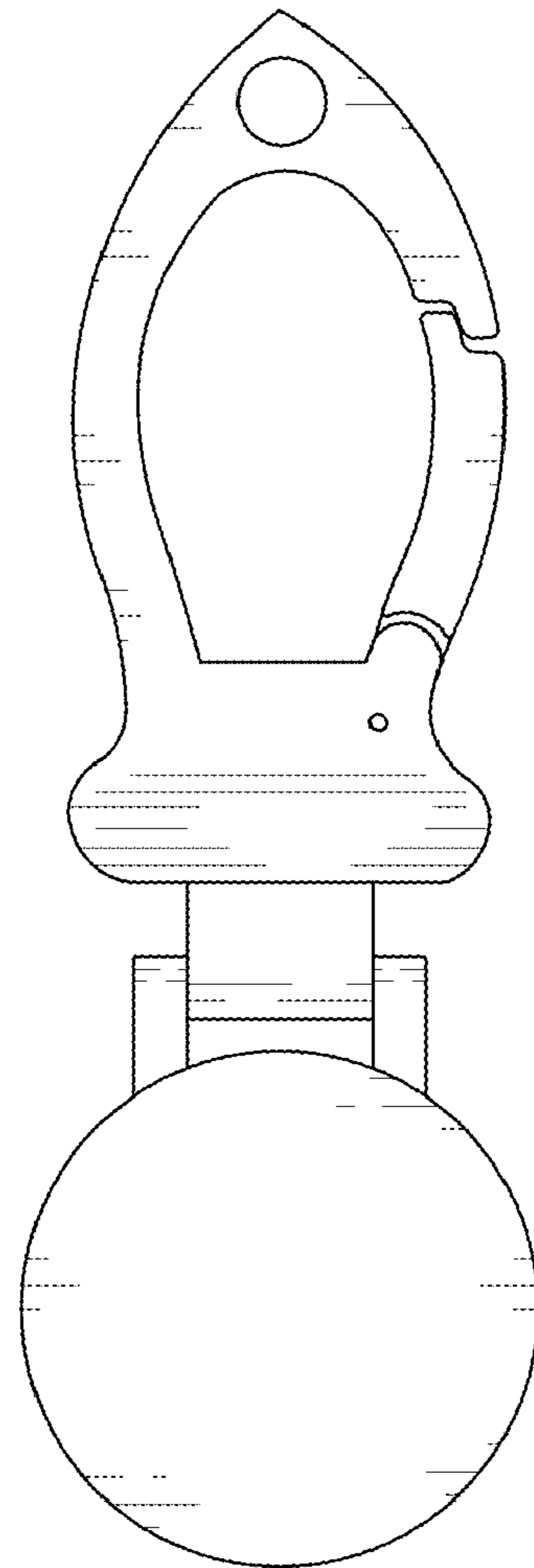


FIG. 2

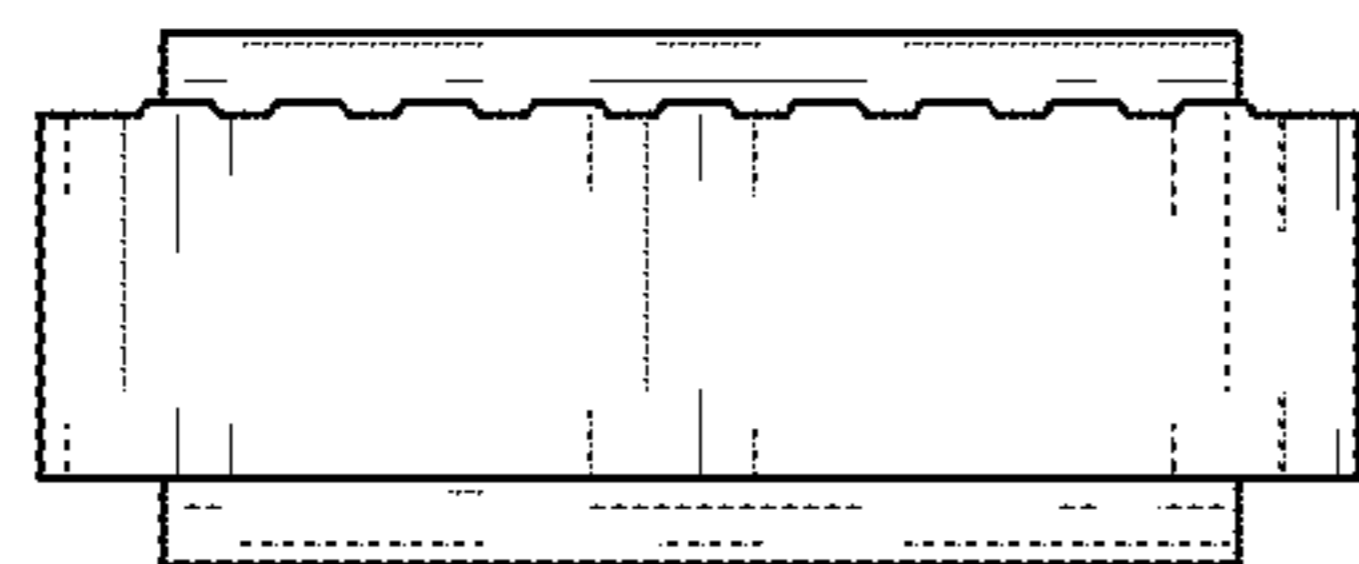


FIG. 3

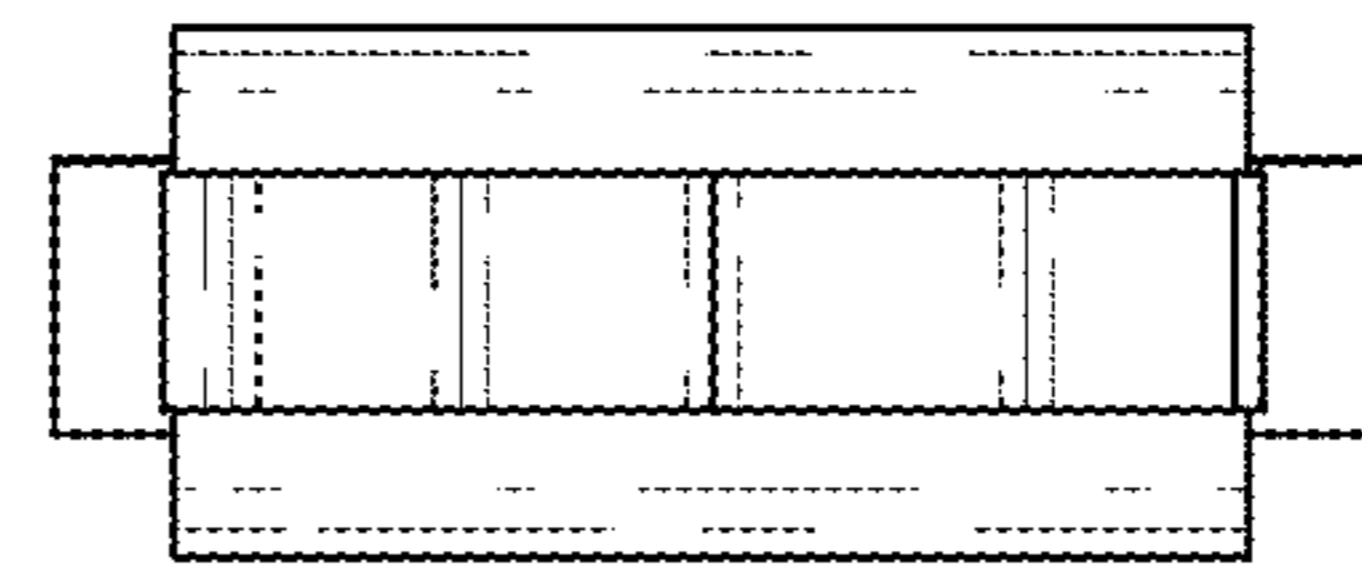
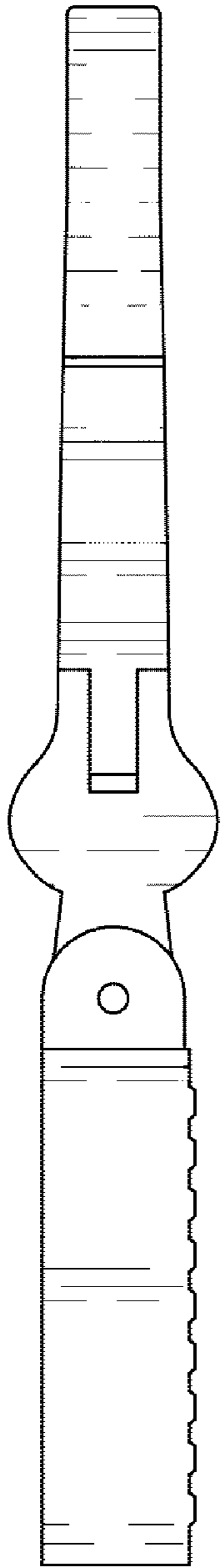
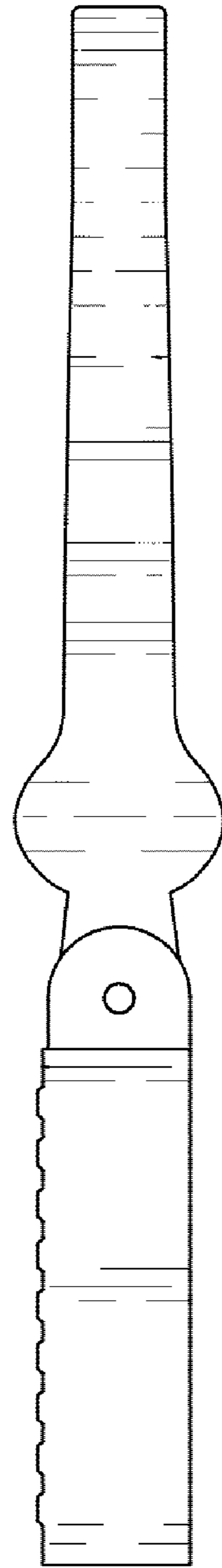


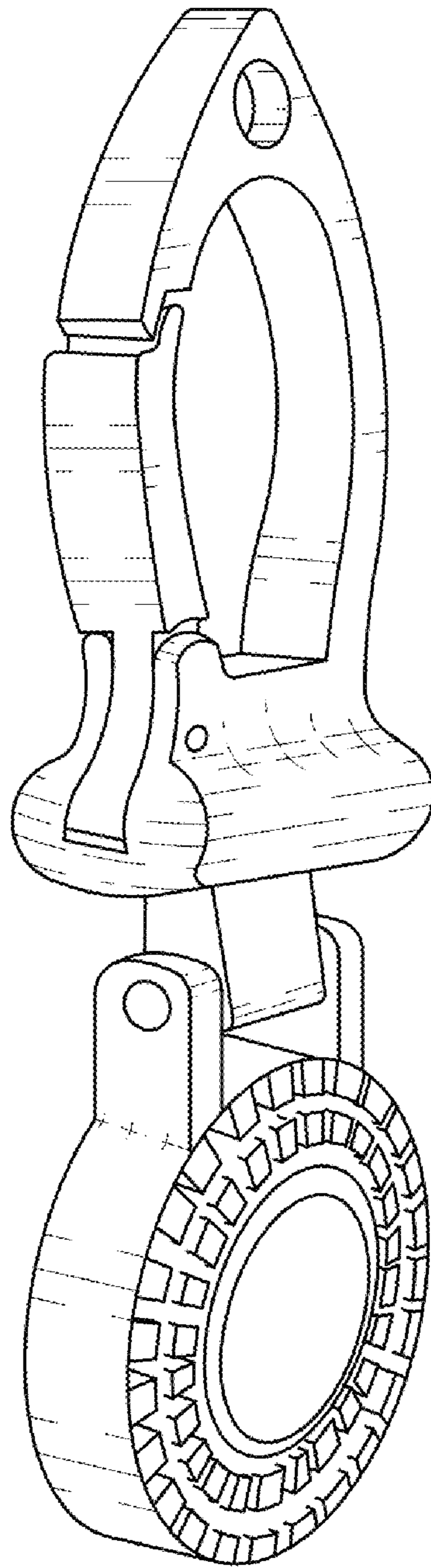
FIG. 4



*FIG. 5*



*FIG. 6*



**FIG. 7**