



US00D675693S

(12) **United States Design Patent**  
**O'Toole**

(10) **Patent No.:** **US D675,693 S**

(45) **Date of Patent:** **\*\* Feb. 5, 2013**

(54) **SKATEBOARD**

(76) **Inventor:** **Patrick O'Toole**, Broomfield, CO (US)

(\*\*) **Term:** **14 Years**

(21) **Appl. No.:** **29/415,650**

(22) **Filed:** **Mar. 13, 2012**

(51) **LOC (9) Cl.** ..... **21-02**

(52) **U.S. Cl.** ..... **D21/765**

(58) **Field of Classification Search** ..... D21/419,  
D21/421, 423, 426, 760, 765, 766, 769, 771,  
D21/776, 803; D12/1; 280/7.14, 11.115,  
280/11.19, 11.27, 11.28, 14.21, 87.01, 87.021,  
280/87.03, 87.041, 87.042, 607, 608, 609,  
280/809; 180/180, 181; 434/247, 253, 258  
See application file for complete search history.

(56) **References Cited**

**U.S. PATENT DOCUMENTS**

4,161,326 A \* 7/1979 Gaber ..... 280/87.042  
D417,250 S \* 11/1999 Colin ..... D21/766  
D457,587 S \* 5/2002 Wolf ..... D21/760  
D485,881 S \* 1/2004 Adamczewski et al. .... D21/766

D505,470 S \* 5/2005 Hong ..... D21/765  
D570,436 S \* 6/2008 Scaturro et al. .... D21/769  
D633,584 S \* 3/2011 Hong ..... D21/765

\* cited by examiner

*Primary Examiner* — Cynthia M Chin

(74) *Attorney, Agent, or Firm* — S McPherson IP Law

(57) **CLAIM**

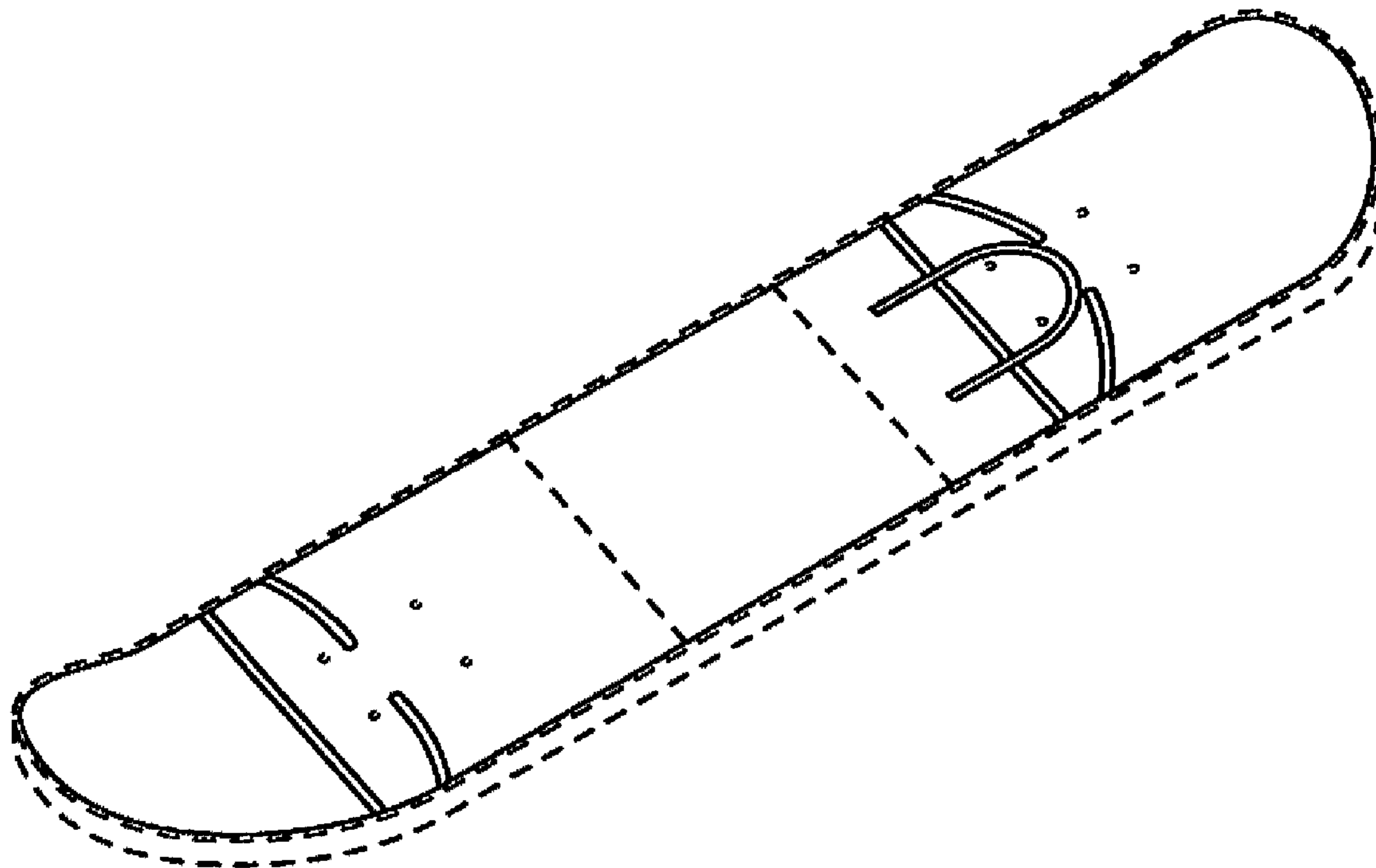
The ornamental design for a skateboard, as shown and described.

**DESCRIPTION**

FIG. 1 is a perspective view of a skateboard showing our new design;  
FIG. 2 is a left side elevational view thereof;  
FIG. 3 is a right side elevational view thereof;  
FIG. 4 is a top plan view thereof;  
FIG. 5 is a bottom plan view, thereof;  
FIG. 6 is a rear elevational view thereof; and,  
FIG. 7 is a rear elevational view thereof.

The broken lines represent portions of the article that form no part of the claim.

**1 Claim, 2 Drawing Sheets**



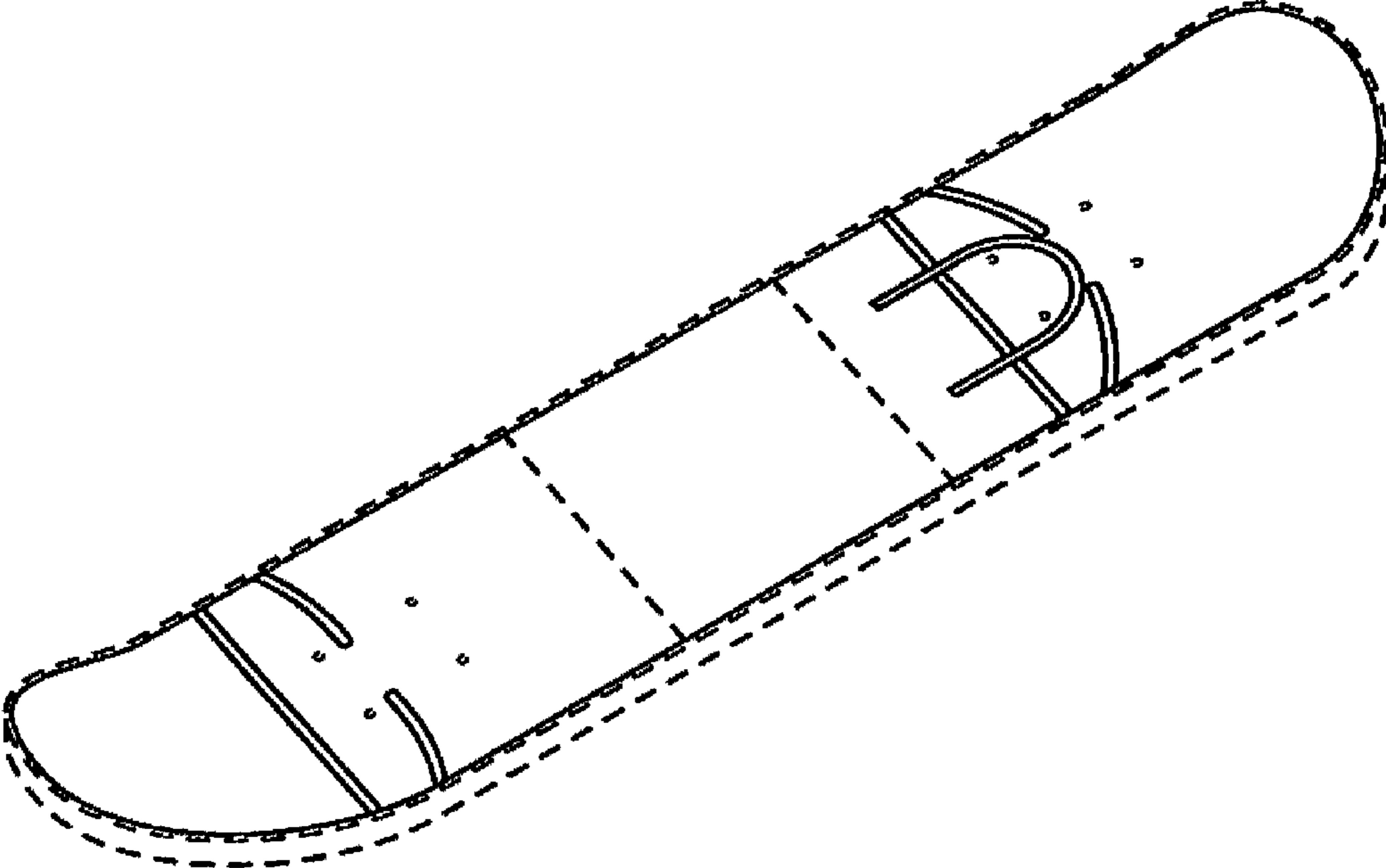


FIG. 1

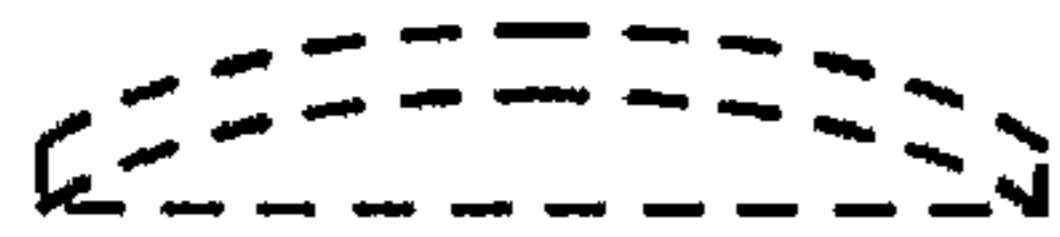


FIG. 2

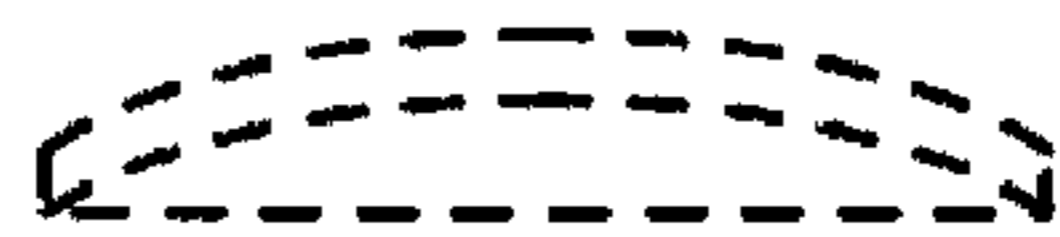


FIG. 3

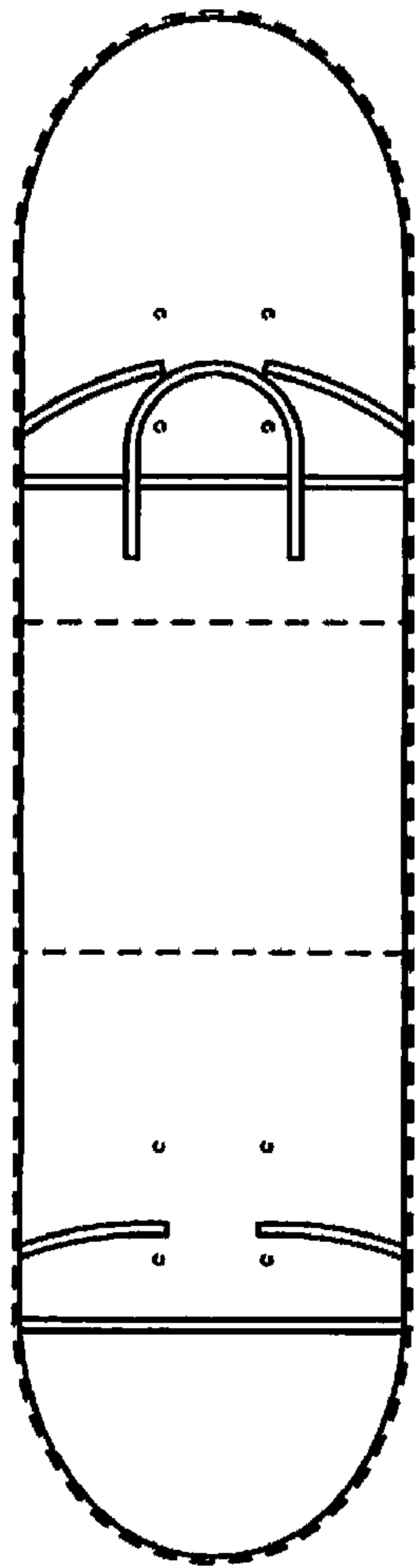


FIG. 4

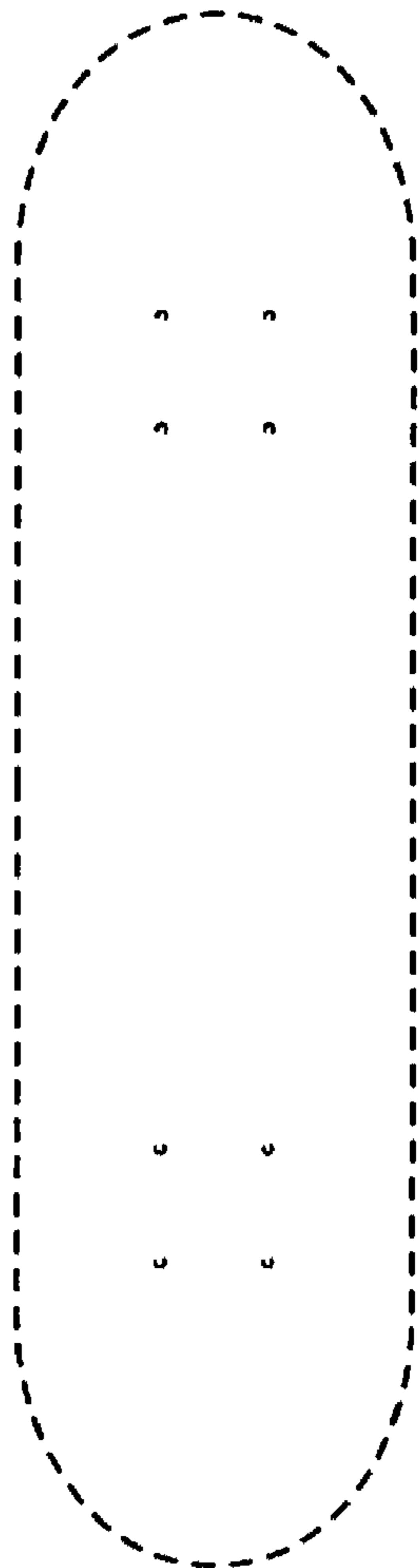


FIG. 5



FIG. 6



FIG. 7