



US00D675688S

(12) **United States Design Patent**
Francis et al.

(10) **Patent No.:** **US D675,688 S**
(45) **Date of Patent:** **** Feb. 5, 2013**

- (54) **PERSONAL EXERCISE DEVICE**
- (76) Inventors: **Paul S. Francis**, Overbrook, KS (US);
Teryl Kent Rouse, Kansas City, MO (US)
- (**) Term: **14 Years**
- (21) Appl. No.: **29/412,045**
- (22) Filed: **Jan. 30, 2012**
- (51) **LOC (9) Cl.** **21-02**
- (52) **U.S. Cl.** **D21/692; D21/684**
- (58) **Field of Classification Search** D21/662,
D21/679, 684, 692-694; 482/8, 44, 49, 82,
482/111, 112, 114, 118, 119, 121, 122, 124,
482/126, 127, 128, 139, 141; D8/61, 303;
D12/179

See application file for complete search history.

(56) **References Cited**

U.S. PATENT DOCUMENTS

| | | | | |
|-----------|-----|---------|--------------------|---------|
| 2,806,699 | A * | 9/1957 | Spooner | 482/126 |
| D208,787 | S * | 10/1967 | Bennstrom-Prescott | D21/693 |
| 4,022,463 | A * | 5/1977 | Scott, Jr. | 482/122 |
| 4,465,276 | A * | 8/1984 | Cox | 482/126 |
| 4,483,533 | A * | 11/1984 | Mangiapane | 482/122 |
| D322,827 | S * | 12/1991 | Bennstrom et al. | D21/684 |
| 5,209,461 | A * | 5/1993 | Whightsill, Sr. | |
| D338,247 | S * | 8/1993 | Koblick | D21/692 |
| D341,401 | S * | 11/1993 | Reichman | D21/692 |
| D343,882 | S * | 2/1994 | Bennstrom et al. | D21/692 |
| 5,399,138 | A * | 3/1995 | Jones | 482/127 |
| 5,507,712 | A * | 4/1996 | Chang | 482/126 |
| 5,674,164 | A * | 10/1997 | Kravitz | 482/126 |
| 5,743,830 | A * | 4/1998 | Ho | 482/44 |
| D426,275 | S * | 6/2000 | Sealy | D21/692 |
| 6,126,580 | A * | 10/2000 | Francis et al. | |
| D446,832 | S * | 8/2001 | Chen | D21/692 |
| D456,471 | S * | 4/2002 | Rankin | D21/693 |
| 6,440,044 | B1 | 8/2002 | Francis et al. | |

| | | | | |
|-----------|------|---------|----------------|---------|
| D505,169 | S * | 5/2005 | Kuo | D21/684 |
| 7,008,354 | B2 * | 3/2006 | Wen | 482/127 |
| D521,086 | S * | 5/2006 | Faulconer | D21/684 |
| 7,229,391 | B2 | 6/2007 | Francis et al. | |
| 7,267,641 | B2 * | 9/2007 | Hsieh | 482/111 |
| 7,306,549 | B2 | 12/2007 | Francis et al. | |
| D626,188 | S * | 10/2010 | Bisson | D21/684 |
| 7,828,704 | B1 * | 11/2010 | Hsieh et al. | 482/126 |
| D654,126 | S * | 2/2012 | Eckermann | D21/692 |
| D655,355 | S * | 3/2012 | Hsu | D21/679 |
| 8,167,780 | B2 * | 5/2012 | Allen | 482/126 |

* cited by examiner

Primary Examiner — Susan E Krakower

(74) *Attorney, Agent, or Firm* — Husch Blackwell LLP

(57) **CLAIM**

The ornamental design for a personal exercise device, as shown and described.

DESCRIPTION

FIG. 1 is a side view of the design of a personal exercise device;

FIG. 2 is a perspective view of the personal exercise device shown in FIG. 1;

FIG. 3 is a second side view of the personal exercise device shown in FIG. 1;

FIG. 4 is a bottom plan view of the personal exercise device shown in FIG. 1;

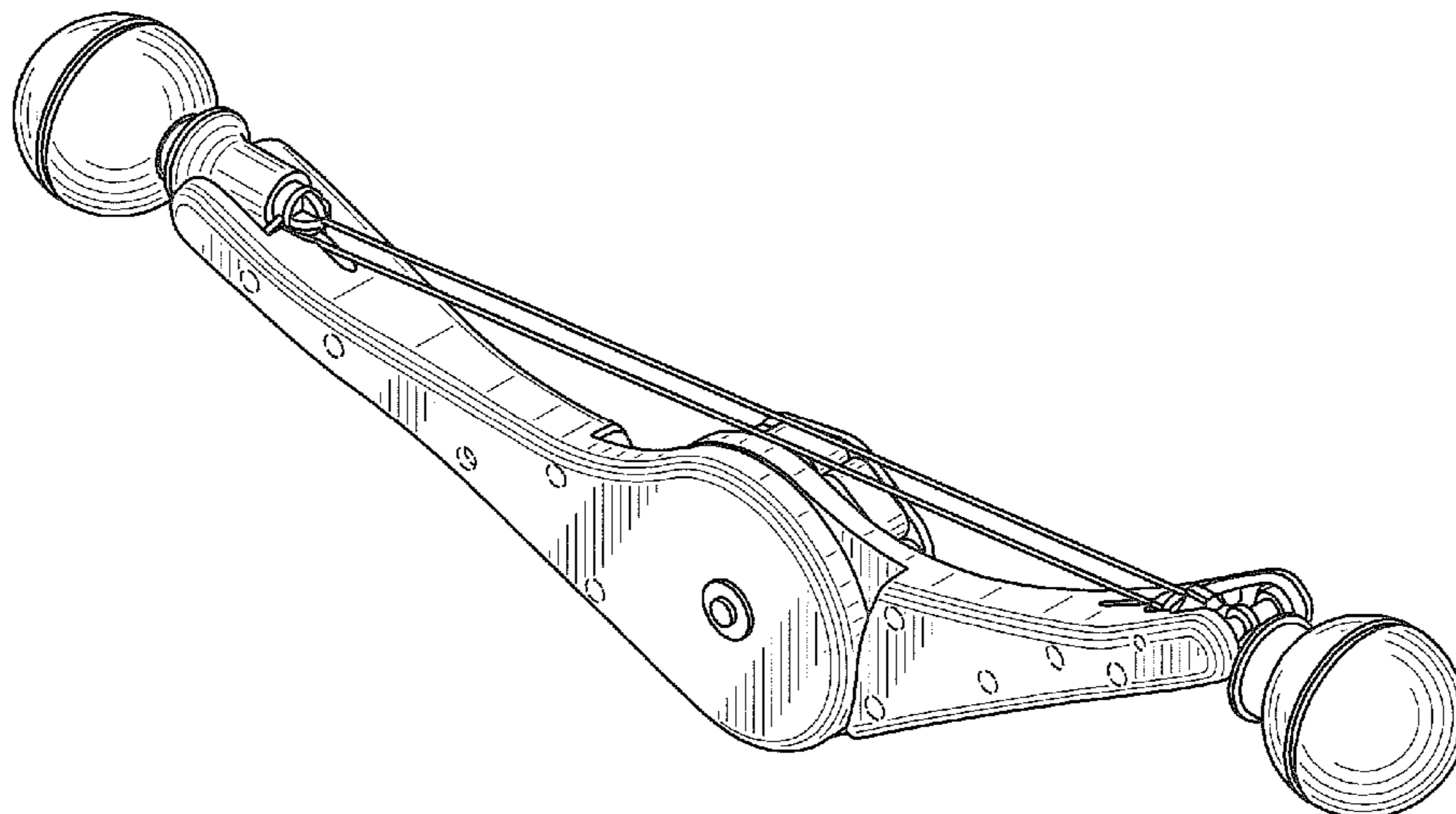
FIG. 5 is a top plan view of the personal exercise device shown in FIG. 1;

FIG. 6 is a first end plan view of the personal exercise device shown in FIG. 1; and,

FIG. 7 is a second end plan view of the personal exercise device shown in FIG. 1.

The broken lines illustrate portions of the personal exercise device which form no part of the claimed design.

1 Claim, 5 Drawing Sheets



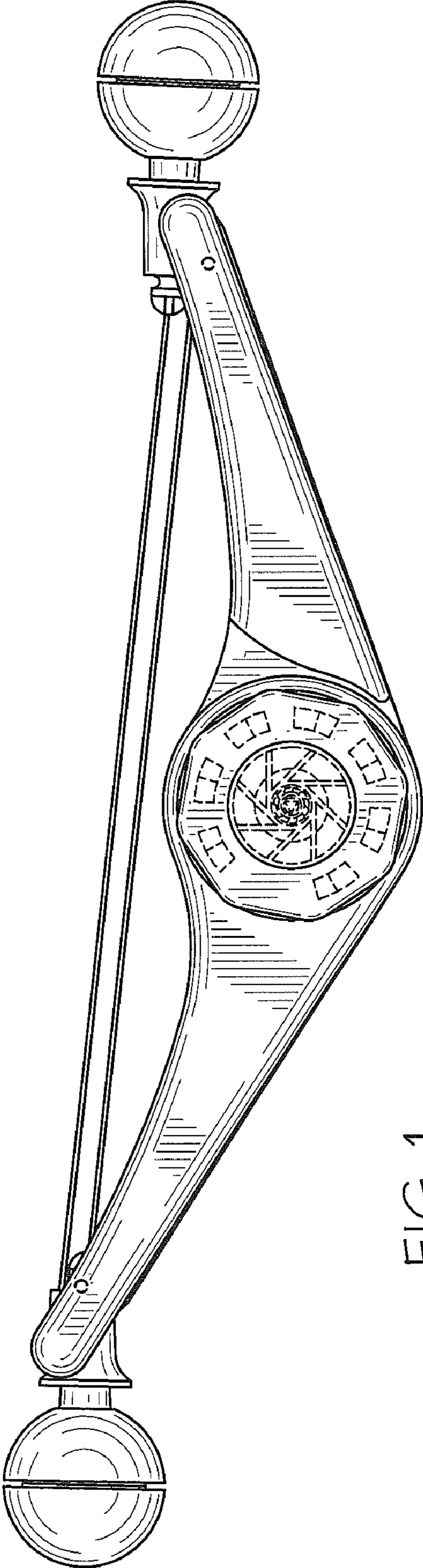


FIG. 1

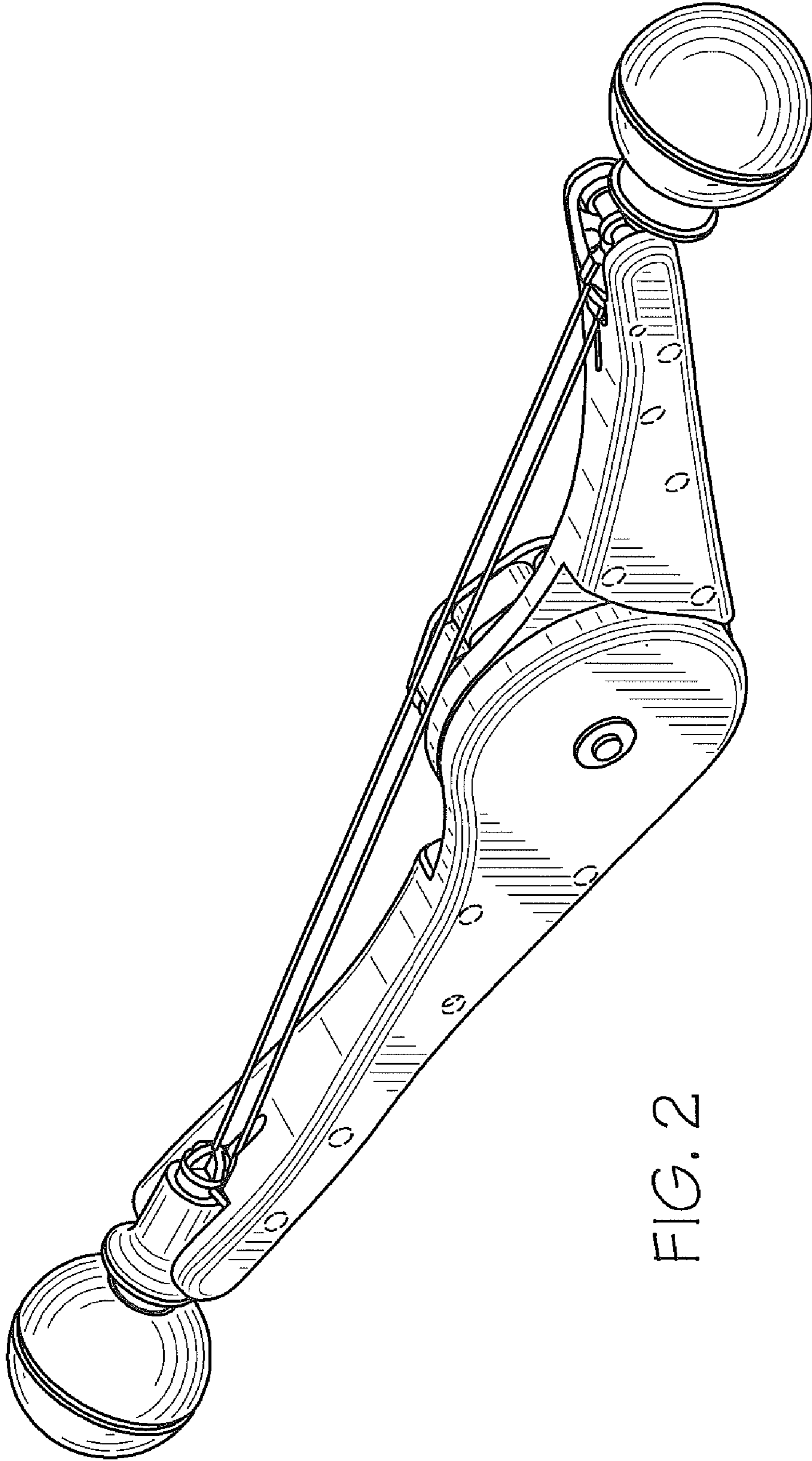


FIG. 2

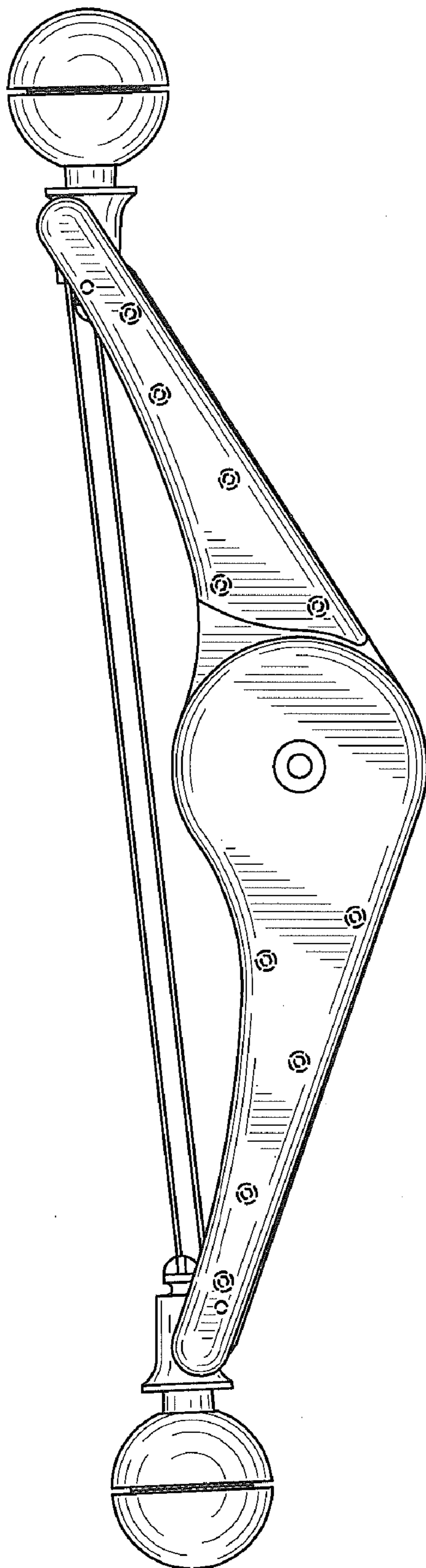


FIG. 3

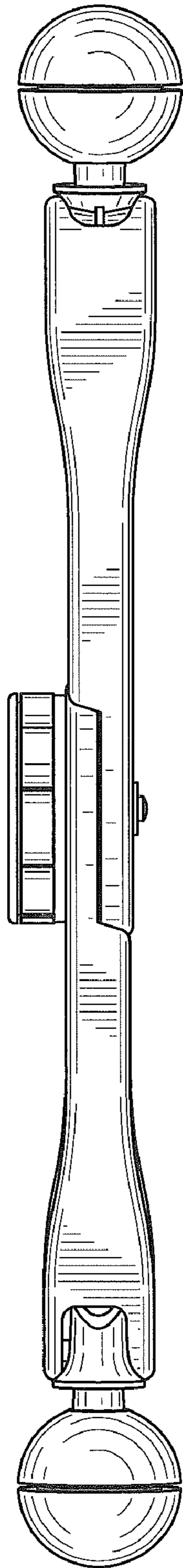


FIG. 4

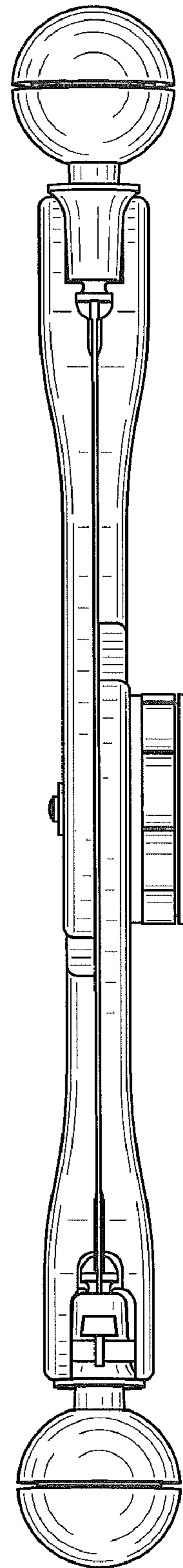


FIG. 5

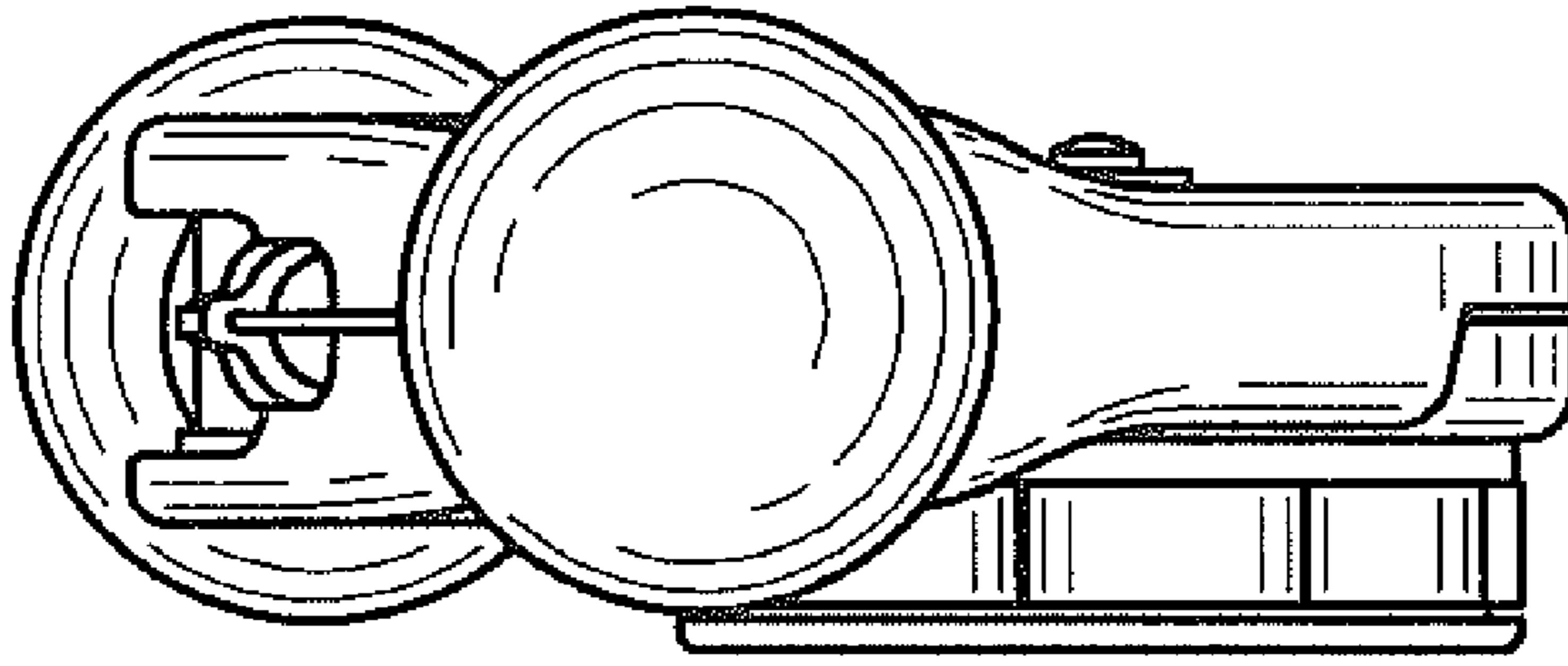


FIG. 7

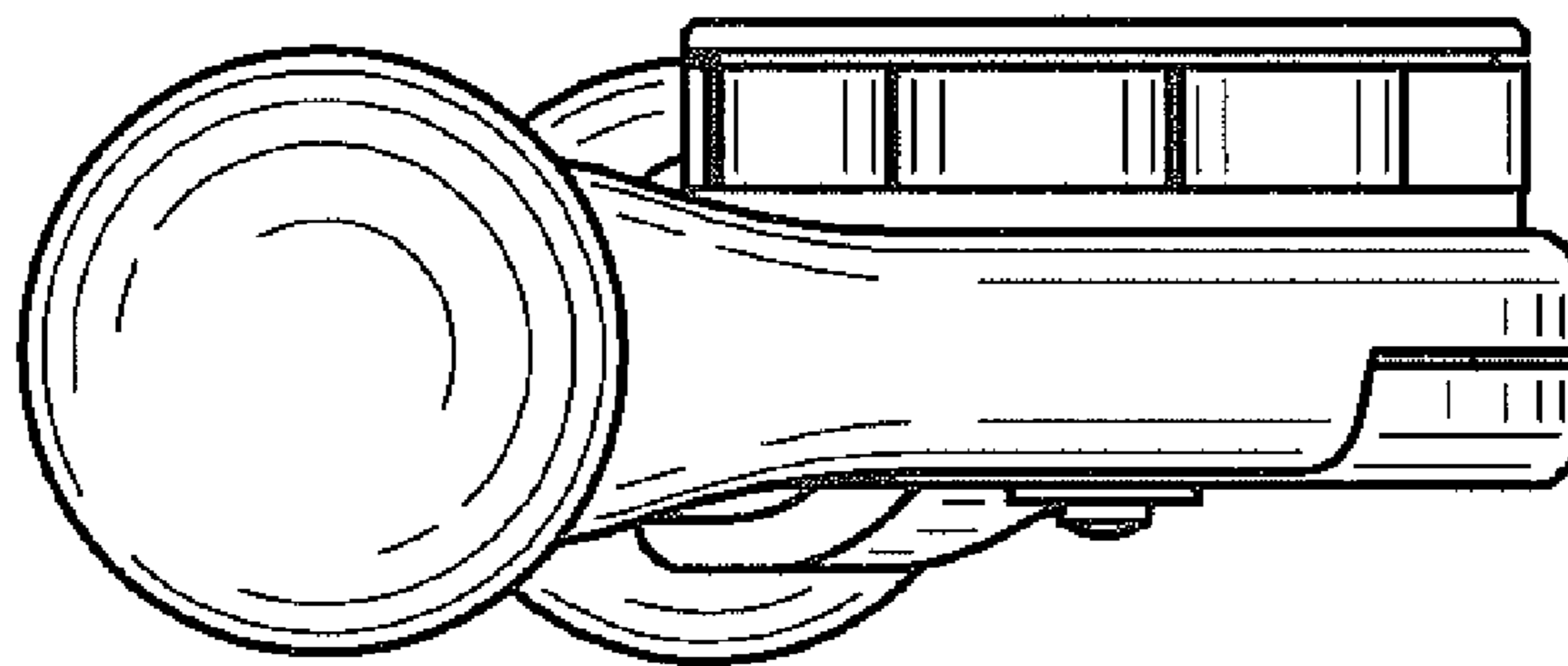


FIG. 6