



US00D675687S

(12) **United States Design Patent**
Fischer

(10) **Patent No.:** **US D675,687 S**

(45) **Date of Patent:** **** Feb. 5, 2013**

(54) **STATIONARY BICYCLE**

2008/0033311 A1* 2/2008 Sledge 600/509

* cited by examiner

(76) Inventor: **Andreas Fischer**, Nuremberg (DE)

Primary Examiner — Susan E Krakower

(74) *Attorney, Agent, or Firm* — Florek & Endres PLLC

(**) Term: **14 Years**

(57) **CLAIM**

I claim the ornamental design for a stationary bicycle, as shown and described.

(21) Appl. No.: **29/402,870**

(22) Filed: **Sep. 28, 2011**

DESCRIPTION

(51) **LOC (9) Cl.** **21-02**

(52) **U.S. Cl.** **D21/663**

(58) **Field of Classification Search** D21/662–667,
D21/694, 697; 482/5, 6, 57–63, 903; 280/274,
280/275, 277, 281.1, 283, 288.2, 288.3; D12/111
See application file for complete search history.

FIG. 1 is a perspective view of the stationary bicycle of the present invention.

FIG. 2 is a left side elevation view of the stationary bicycle of the present invention.

FIG. 3 is a right side elevation view of the stationary bicycle of the present invention.

FIG. 4 is a front elevation view of the stationary bicycle of the present invention.

FIG. 5 is a rear elevation view of the stationary bicycle of the present invention.

FIG. 6 is a top view of the stationary bicycle of the present invention; and,

FIG. 7 is a bottom view of the stationary bicycle of the present invention.

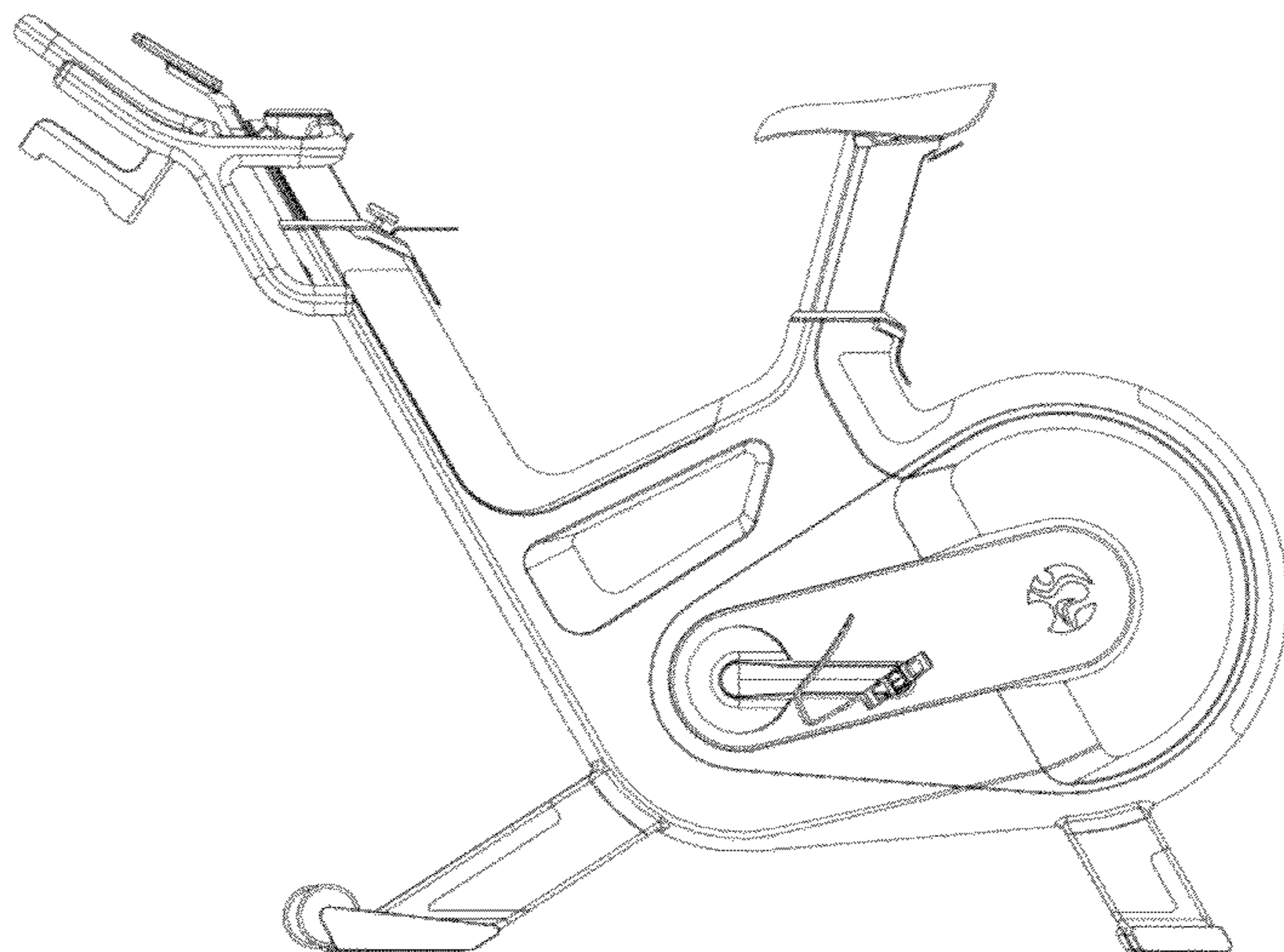
The broken lines in FIG. 7 illustrate portions of the stationary bicycle which form no part of the claimed design.

(56) **References Cited**

U.S. PATENT DOCUMENTS

D112,593 S *	12/1938	Baxter	D12/111
D325,410 S *	4/1992	Chen	D21/667
6,565,487 B1 *	5/2003	Kuo	482/57
D526,031 S *	8/2006	Corbalis et al.	D21/663
D532,063 S *	11/2006	Kim et al.	D21/697
D558,646 S *	1/2008	Sheppard	D12/111
D561,276 S *	2/2008	Bingham et al.	D21/697
8,052,581 B1 *	11/2011	Lohr et al.	482/63
D654,125 S *	2/2012	van der Meer et al.	D21/667
D656,566 S *	3/2012	Decommer	D21/667

1 Claim, 7 Drawing Sheets



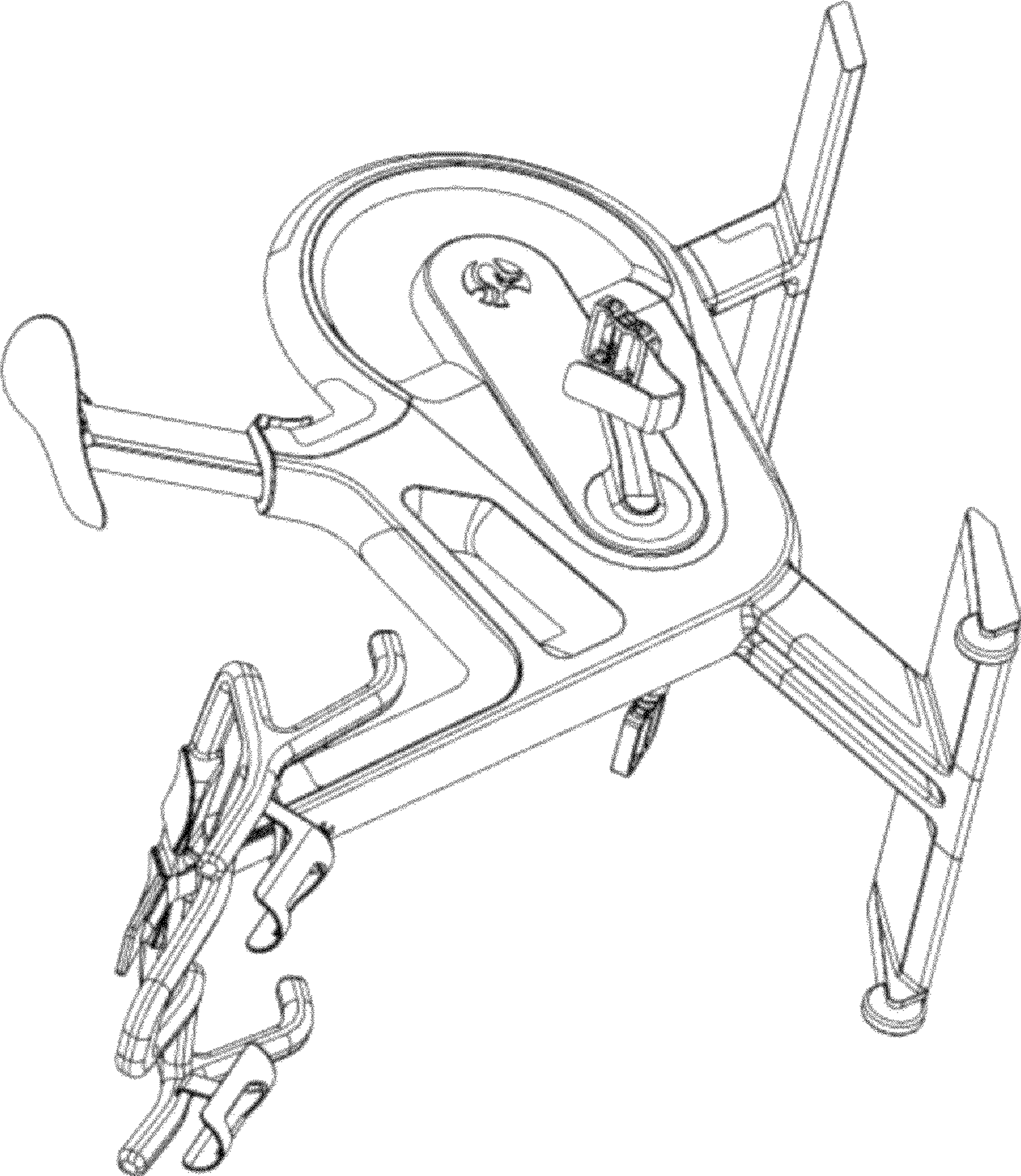


Fig. 1

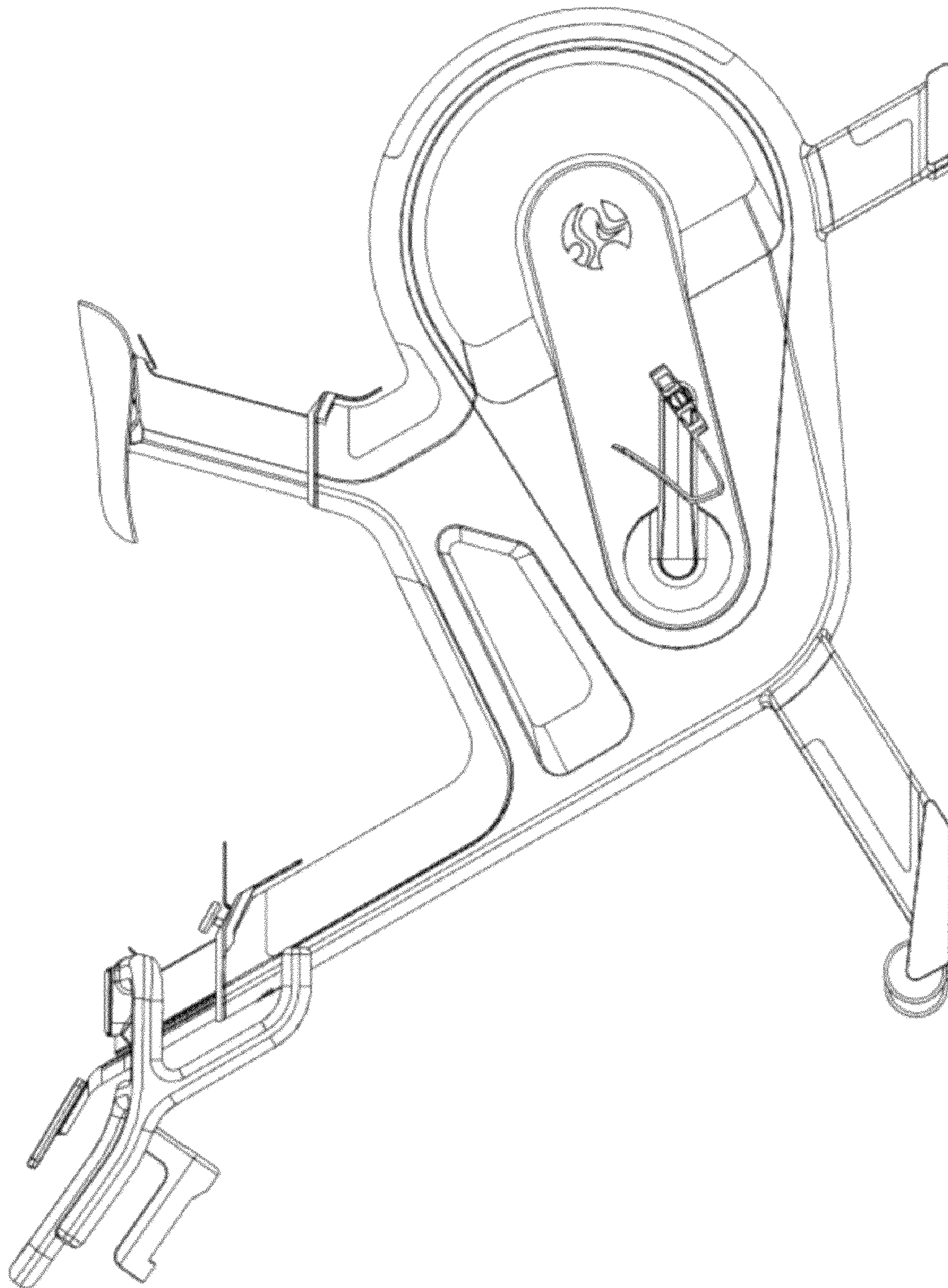


Fig. 2

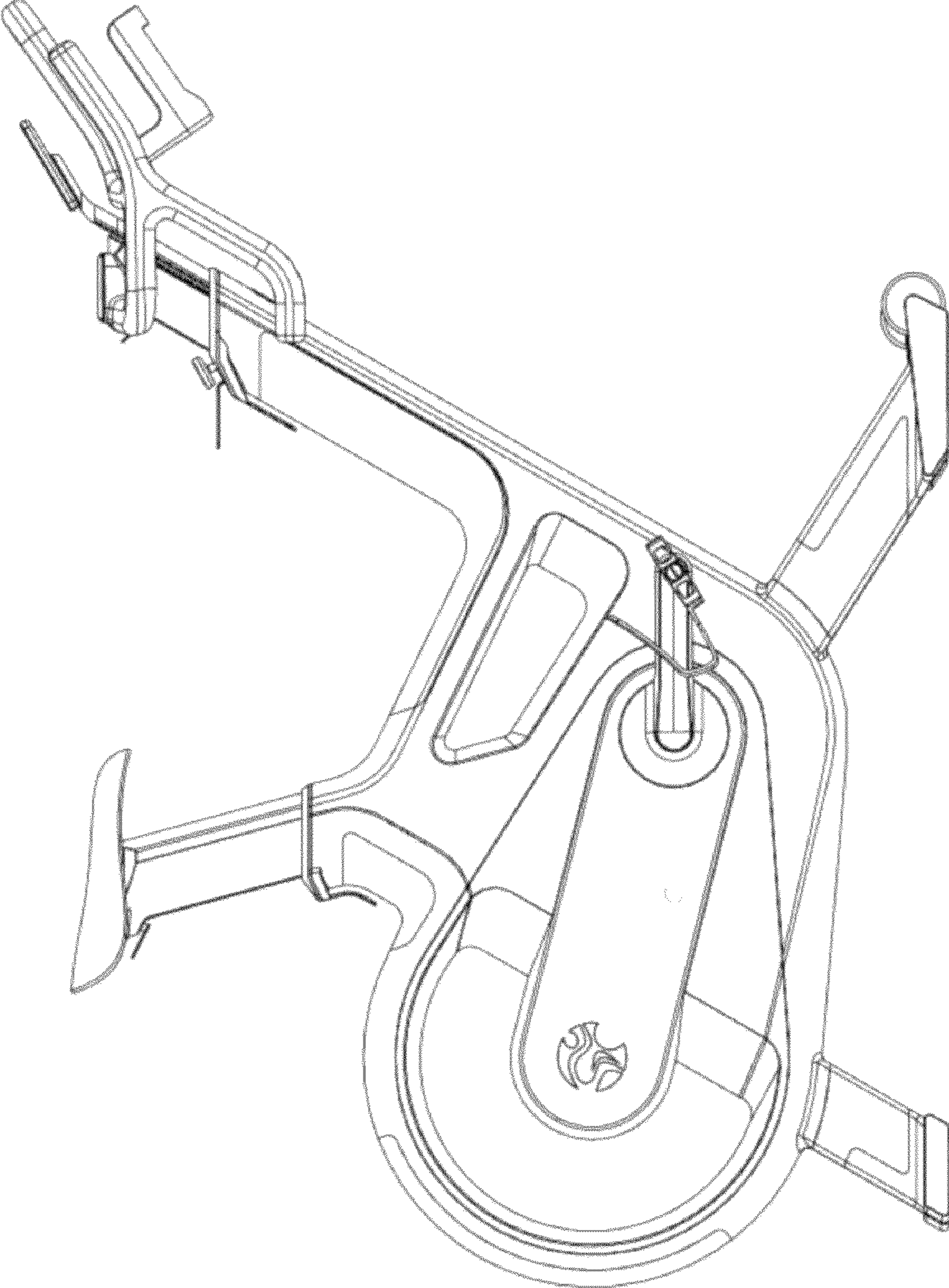


Fig. 3

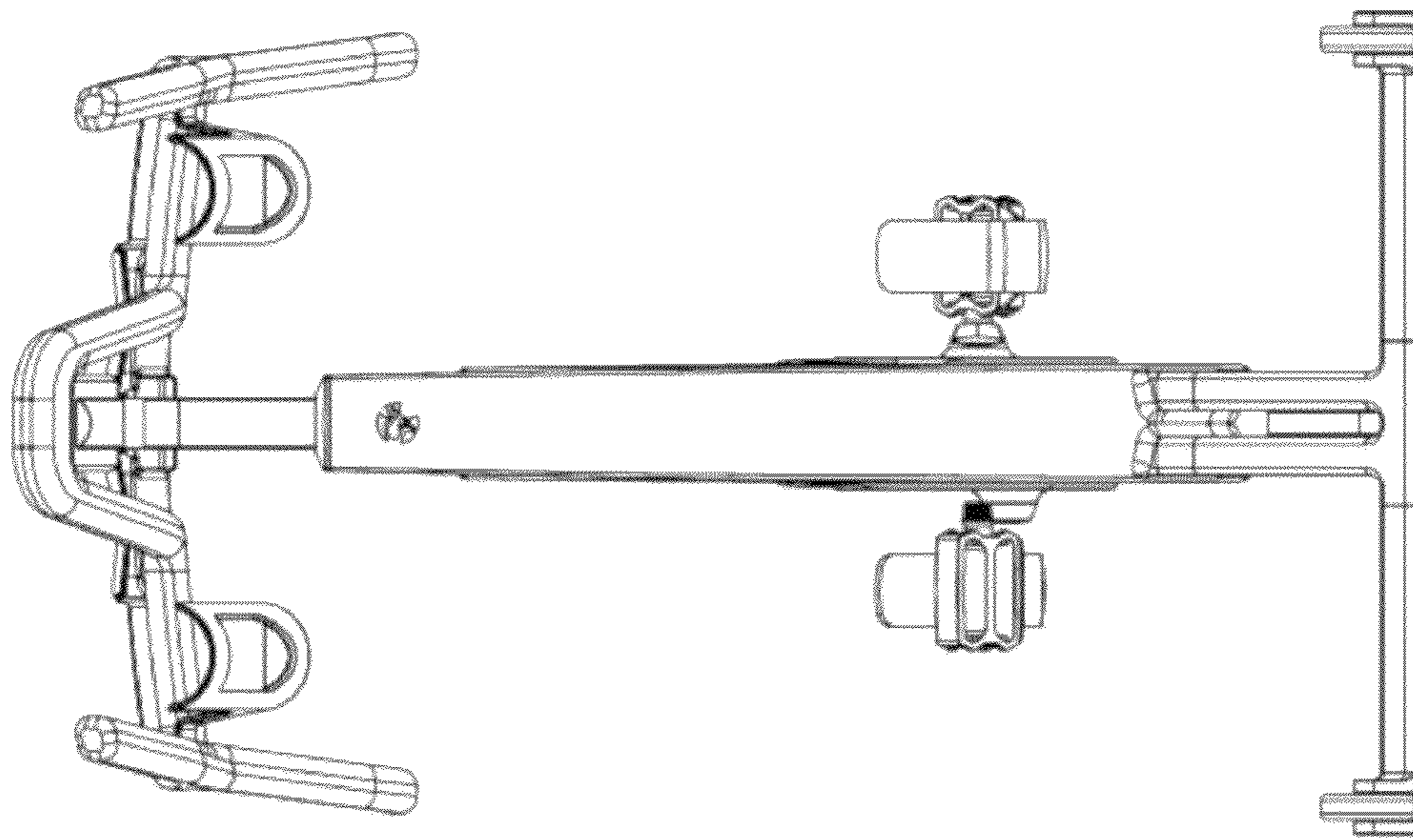


Fig. 4

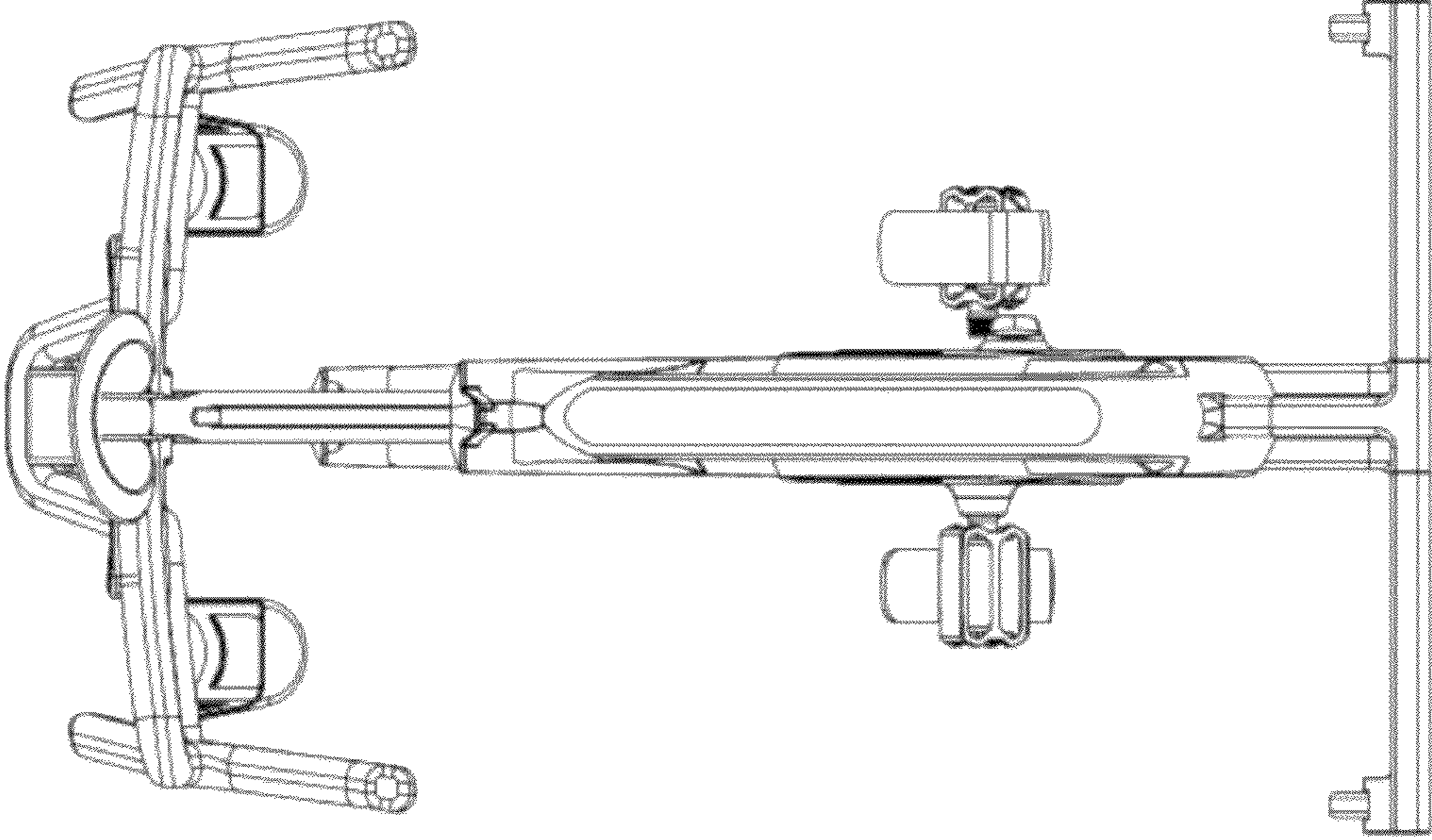


Fig. 5

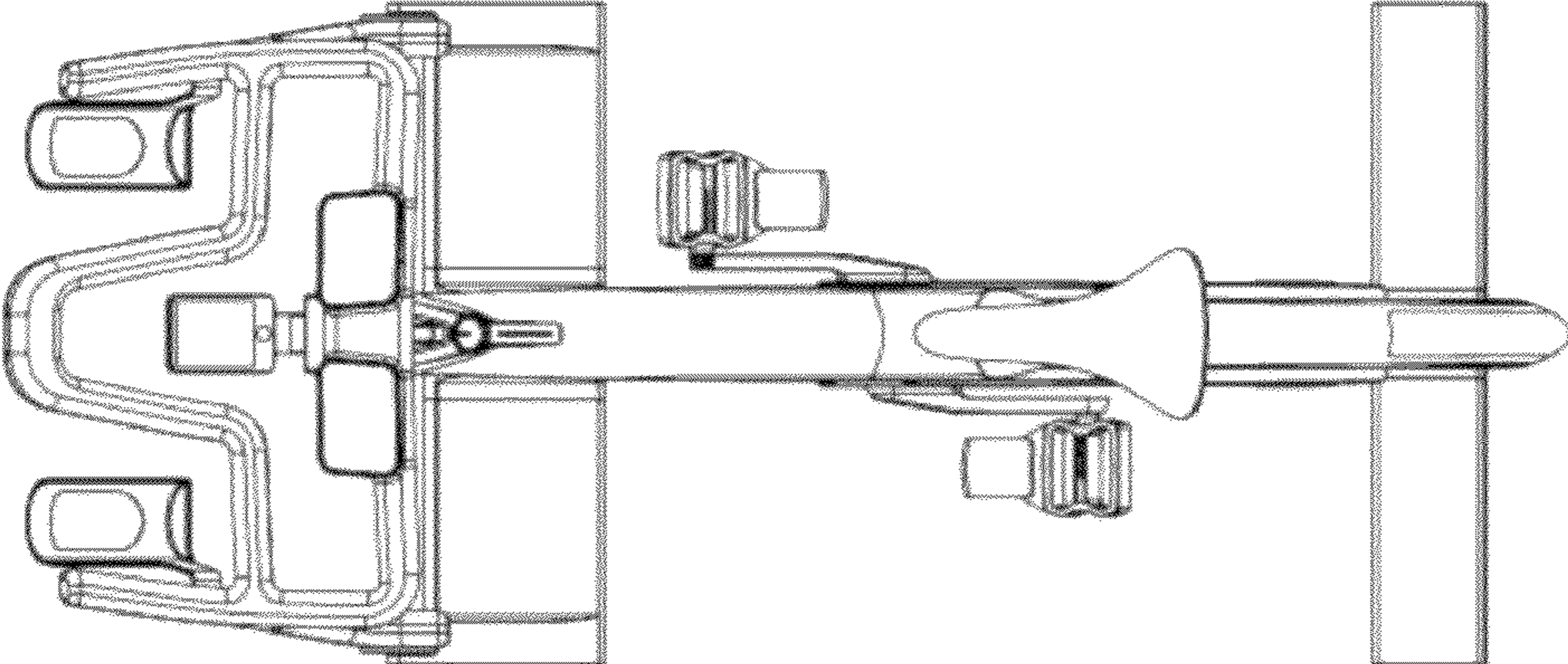


Fig. 6

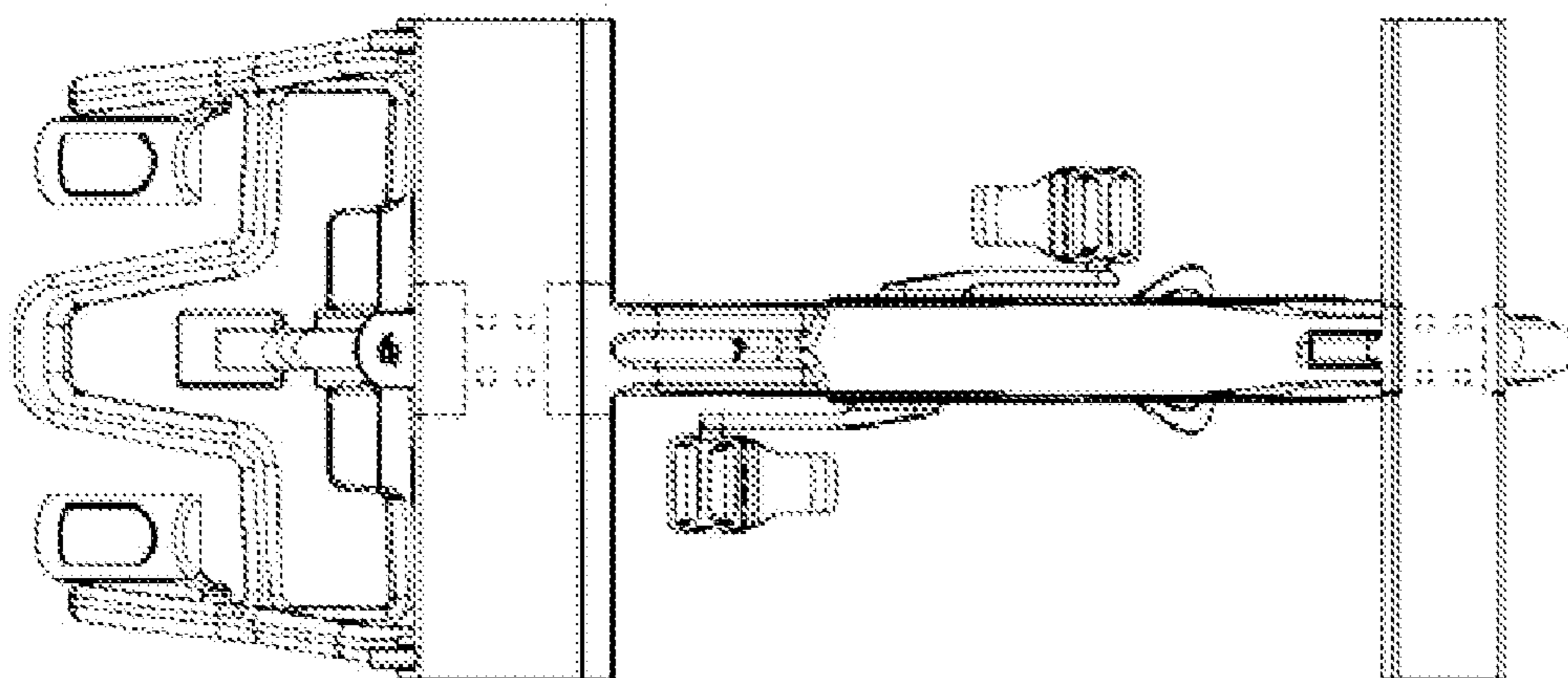


Fig. 7