



US00D675679S

(12) **United States Design Patent**
Soriano et al.

(10) **Patent No.:** **US D675,679 S**
(45) **Date of Patent:** **** Feb. 5, 2013**

(54) **TOY BALL**
(75) Inventors: **Alex Soriano**, Atlanta, GA (US);
Charles Mitchell, Stone Mountain, GA (US)

4,921,458	A	5/1990	Greenwood	
5,893,791	A *	4/1999	Wilkinson	446/456
6,332,851	B1 *	12/2001	Griffin	473/577
D535,068	S *	1/2007	Renforth	D30/160
7,246,574	B2 *	7/2007	Renforth	119/711
7,258,591	B2	8/2007	Xu et al.	
D564,048	S *	3/2008	Sato et al.	D21/584
2002/0013117	A1 *	1/2002	Rudell	446/431
2002/0033397	A1	3/2002	Henson	
2006/0249096	A1 *	11/2006	Gick	119/707
2011/0294394	A1 *	12/2011	Nelson et al.	446/325

(73) Assignee: **Kids II, Inc.**, Atlanta, GA (US)

(**) Term: **14 Years**

(21) Appl. No.: **29/379,719**

(22) Filed: **Nov. 23, 2010**

(51) **LOC (9) Cl.** **21-01**

(52) **U.S. Cl.** **D21/398; D21/713; D21/714**

(58) **Field of Classification Search** D21/398,
D21/405-408, 439, 466, 498, 576-659, 707-714;
D30/160; D11/121, 125, 127-129; 446/72,
446/175, 220-226, 234, 236-238, 268-294,
446/324-326, 391, 396, 400, 409, 431, 437-439,
446/457, 458; 428/11; 119/707-711; 473/569-615
See application file for complete search history.

FOREIGN PATENT DOCUMENTS

EM	001169809-0005	*	2/2010
EM	001169809-0001	*	3/2010
EM	001169809-0002	*	3/2010
EM	001169809-0003	*	3/2010
EM	001169809-0004	*	3/2010
EM	001169809-0006	*	3/2010

* cited by examiner

Primary Examiner — Catherine Tuttle

(74) *Attorney, Agent, or Firm* — Alston & Bird LLP

(56) **References Cited**

U.S. PATENT DOCUMENTS

216,124	A *	6/1879	Adams	473/575
D51,024	S *	7/1917	Morse	D7/595
1,763,903	A *	6/1930	Perkins	446/273
2,086,631	A *	7/1937	Munro	119/711
2,960,794	A *	11/1960	Johns	446/183
D226,773	S *	4/1973	Ehrenreich	D21/589
D233,539	S *	11/1974	Echterling	D21/611
4,151,676	A	5/1979	Clark	
4,169,334	A	10/1979	Breslow et al.	
D256,705	S *	9/1980	Nakao et al.	D21/604
4,292,759	A *	10/1981	Nagode	446/289
4,314,422	A	2/1982	Wexler	
D273,215	S *	3/1984	Sahler	D21/592
4,536,167	A	8/1985	Hughes	
4,599,235	A *	7/1986	Miller et al.	426/250
4,666,418	A	5/1987	Wolf	

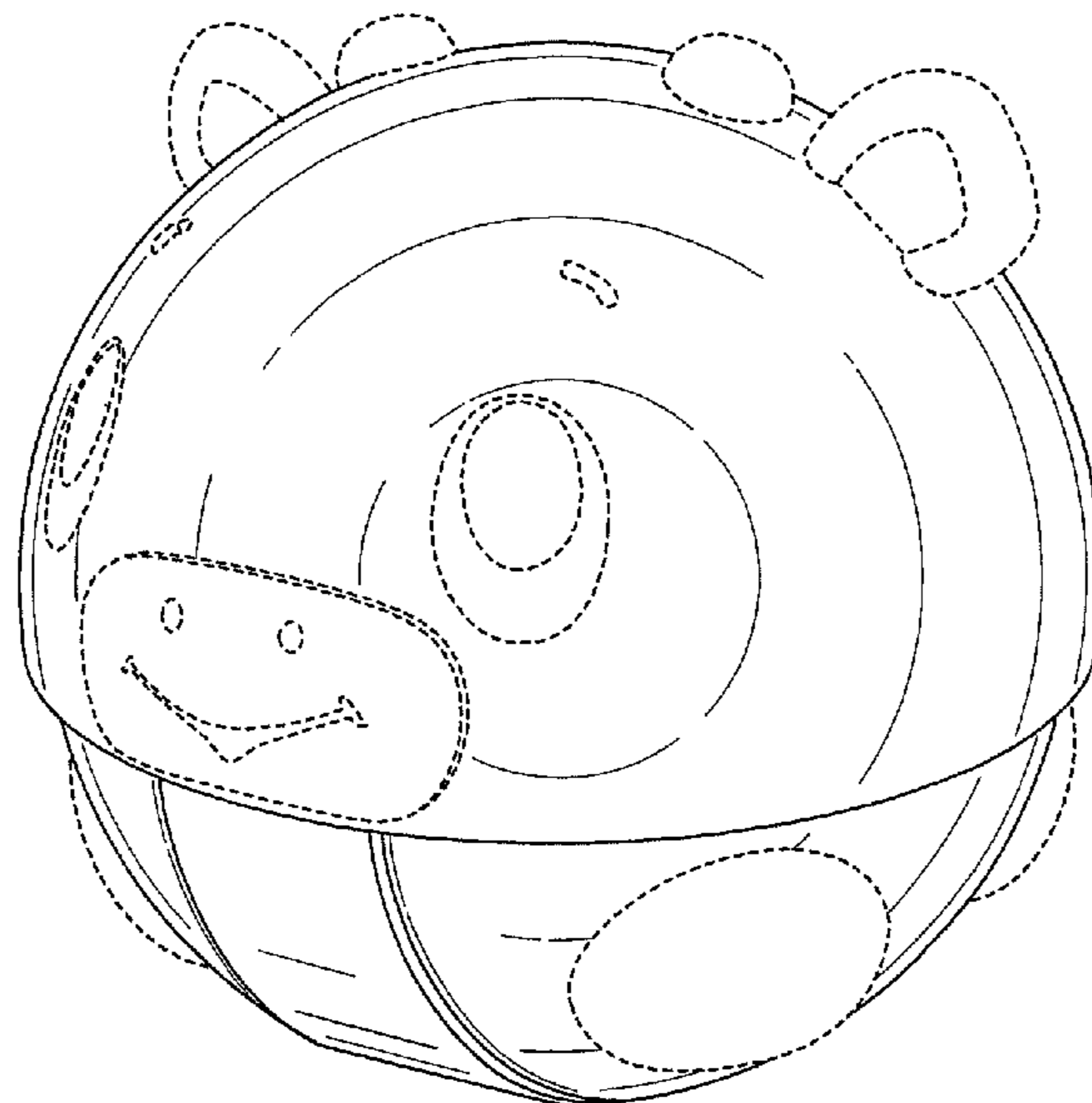
(57) **CLAIM**

We claim the ornamental design for a toy ball, as shown and described.

DESCRIPTION

FIG. 1 is a front elevation view of a toy ball showing our new design;
FIG. 2 is left side elevation view thereof;
FIG. 3 is right side elevation view thereof;
FIG. 4 is top view thereof;
FIG. 5 is bottom view thereof; and,
FIG. 6 is a perspective view thereof.
The broken lines shown herein are included for the purpose of illustrating portions of the toy ball that form no part of the claimed design.

1 Claim, 4 Drawing Sheets



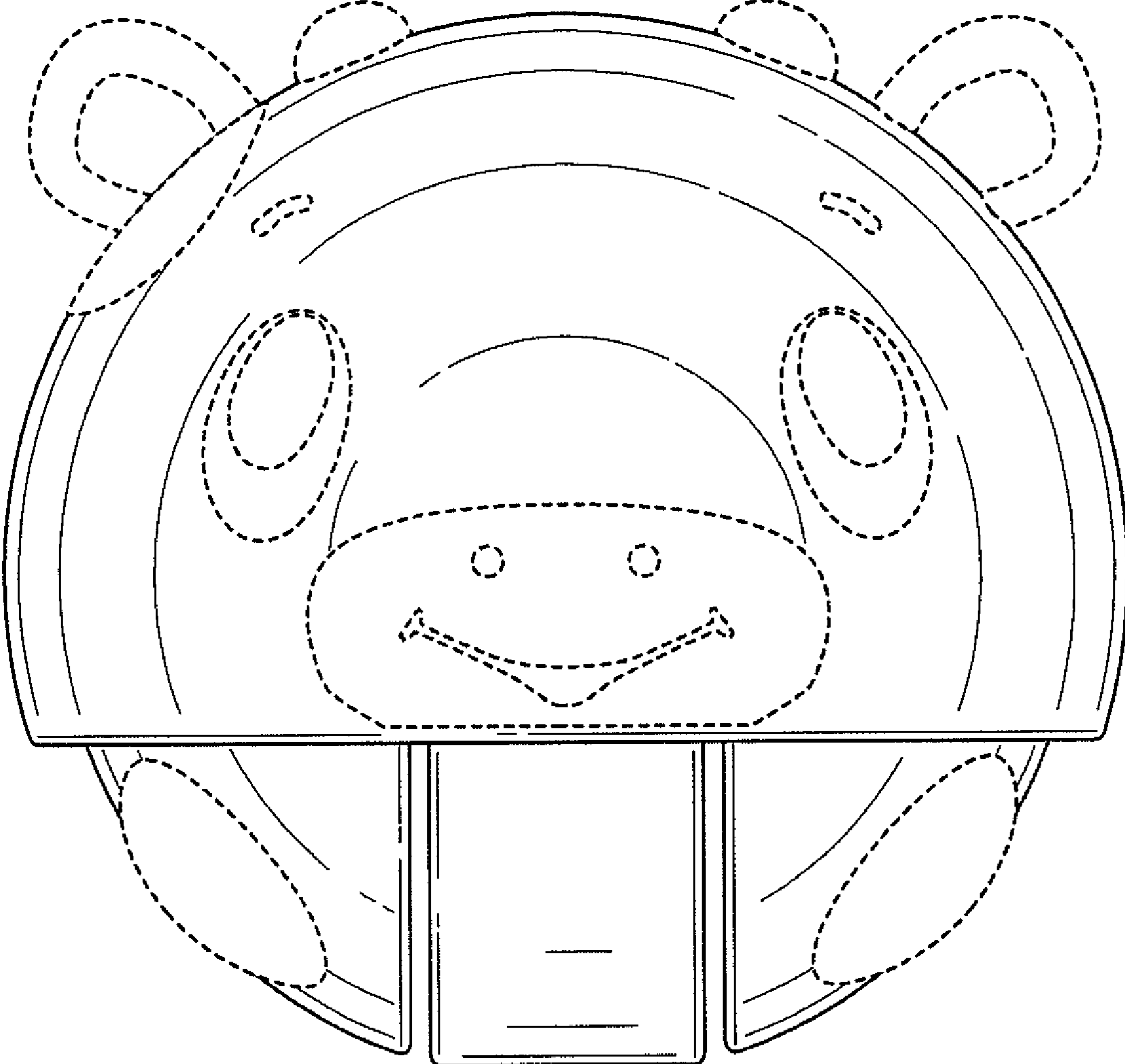


FIG. 1

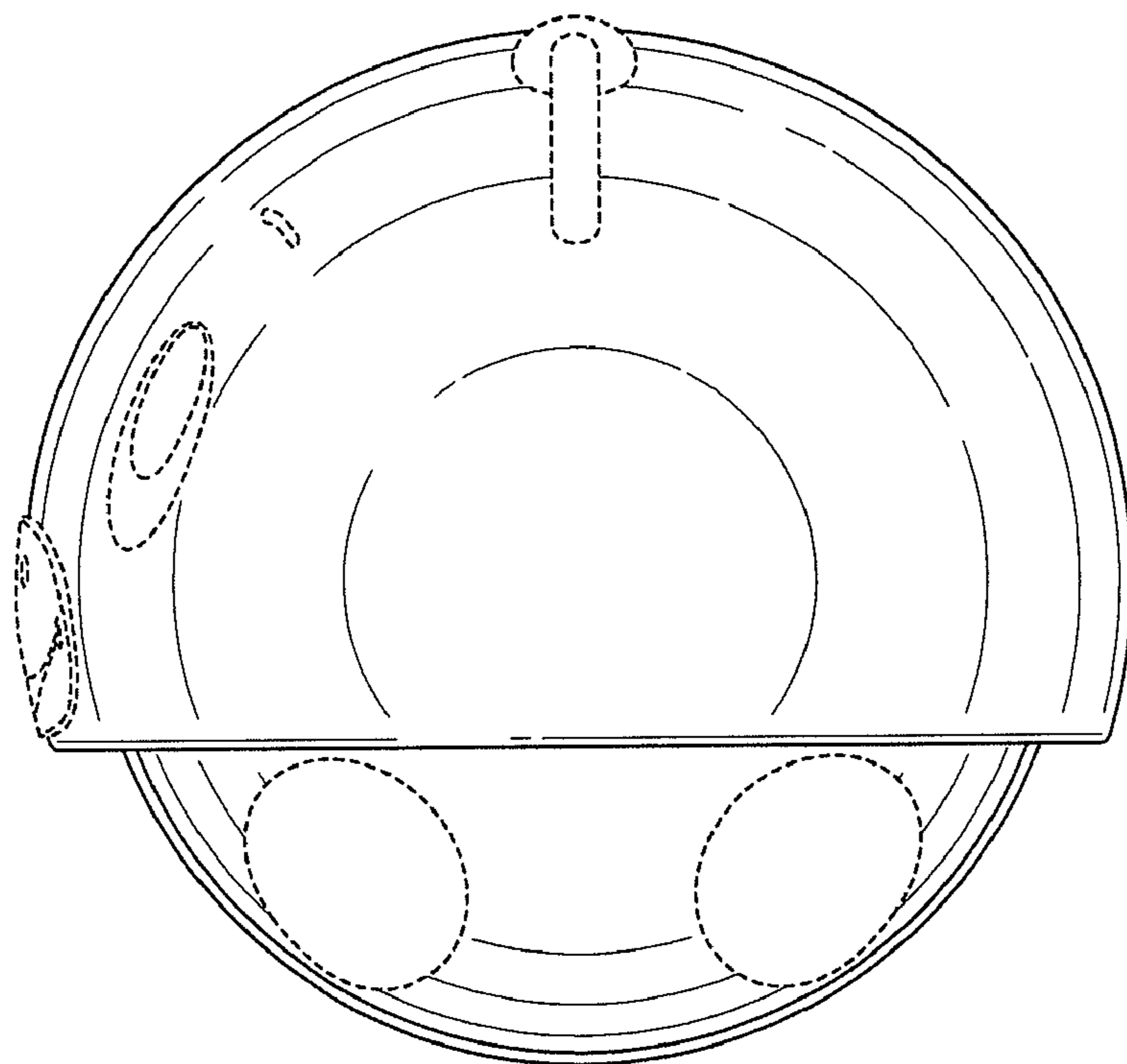


FIG. 2

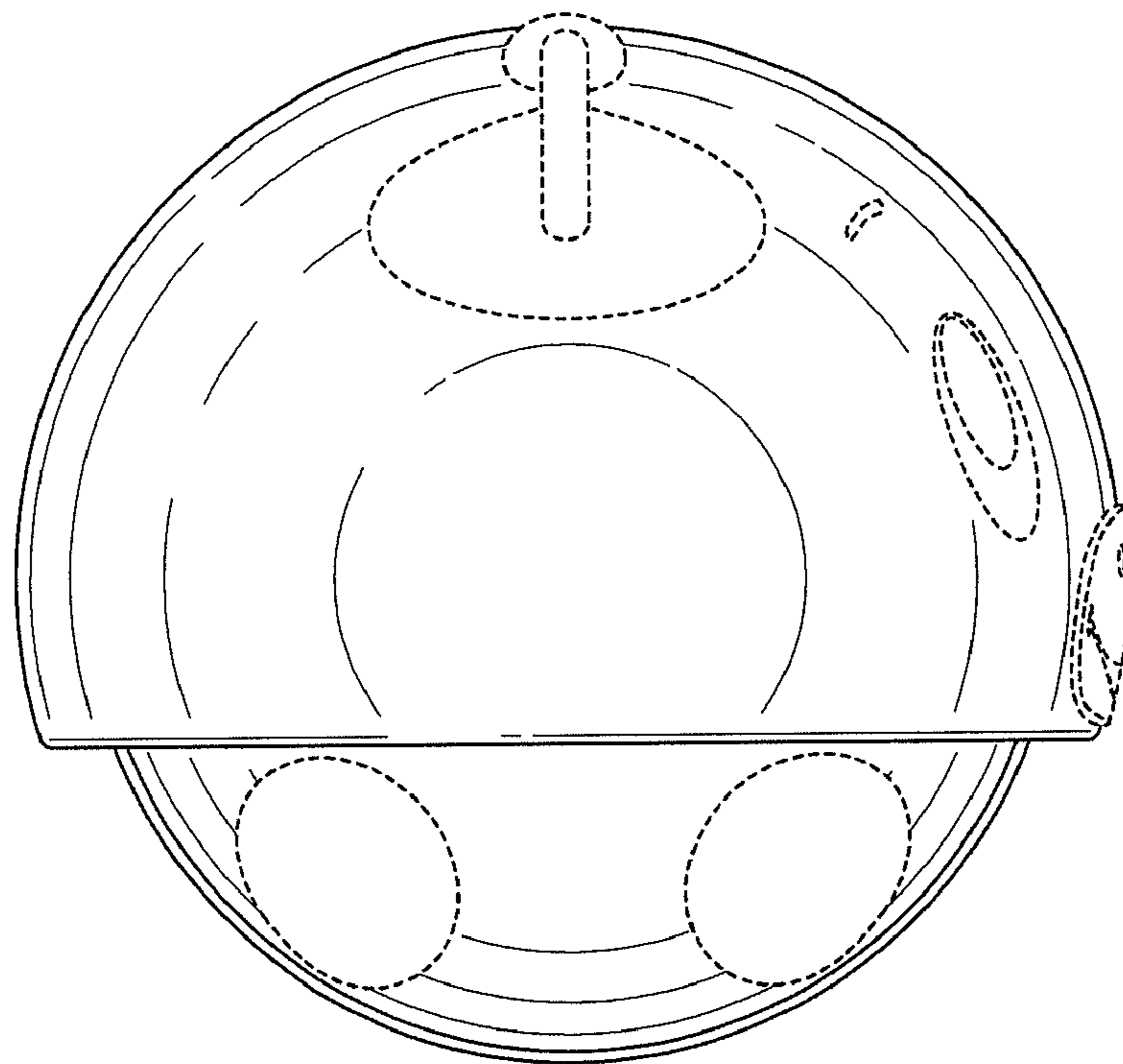


FIG. 3

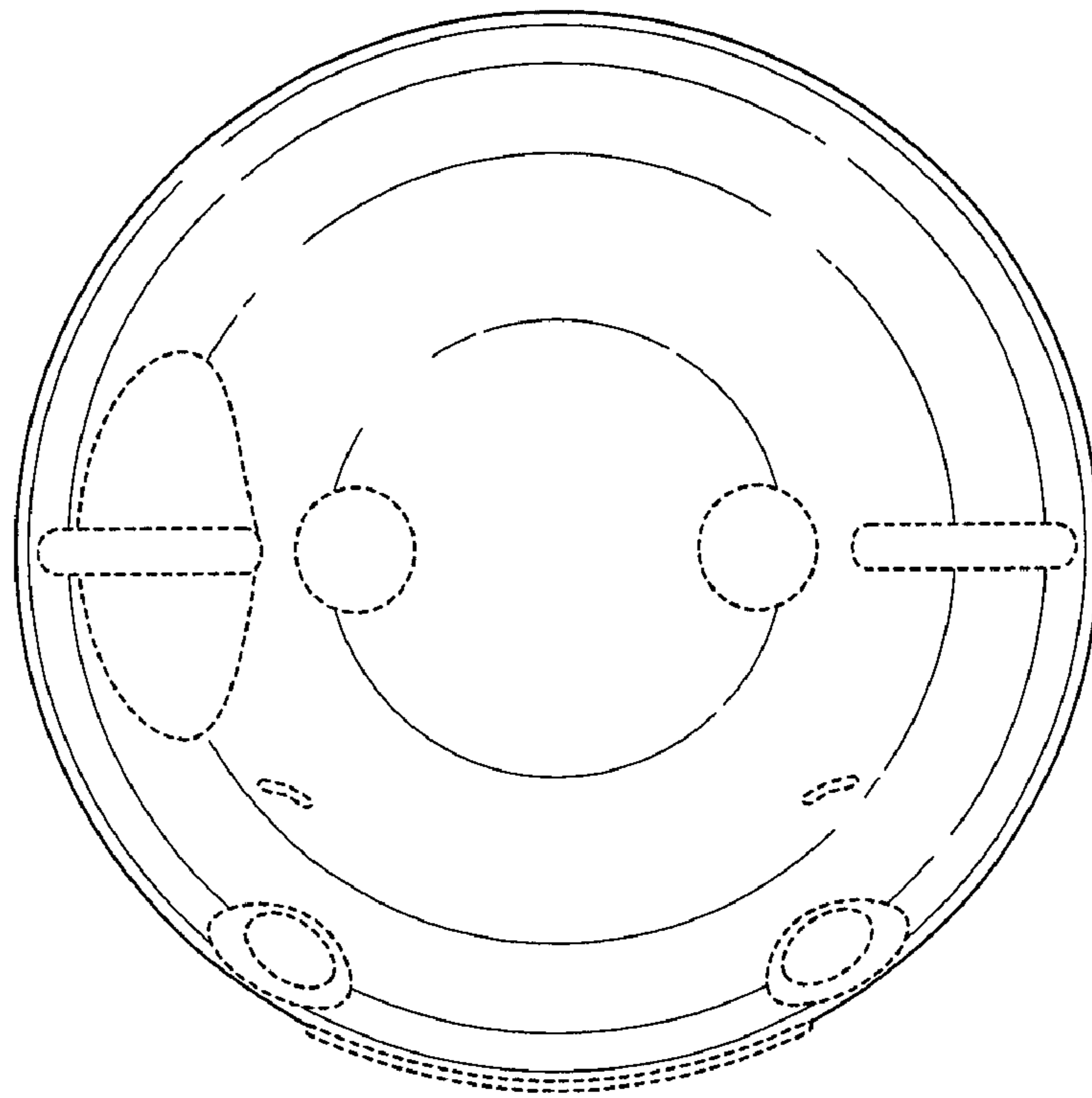


FIG. 4

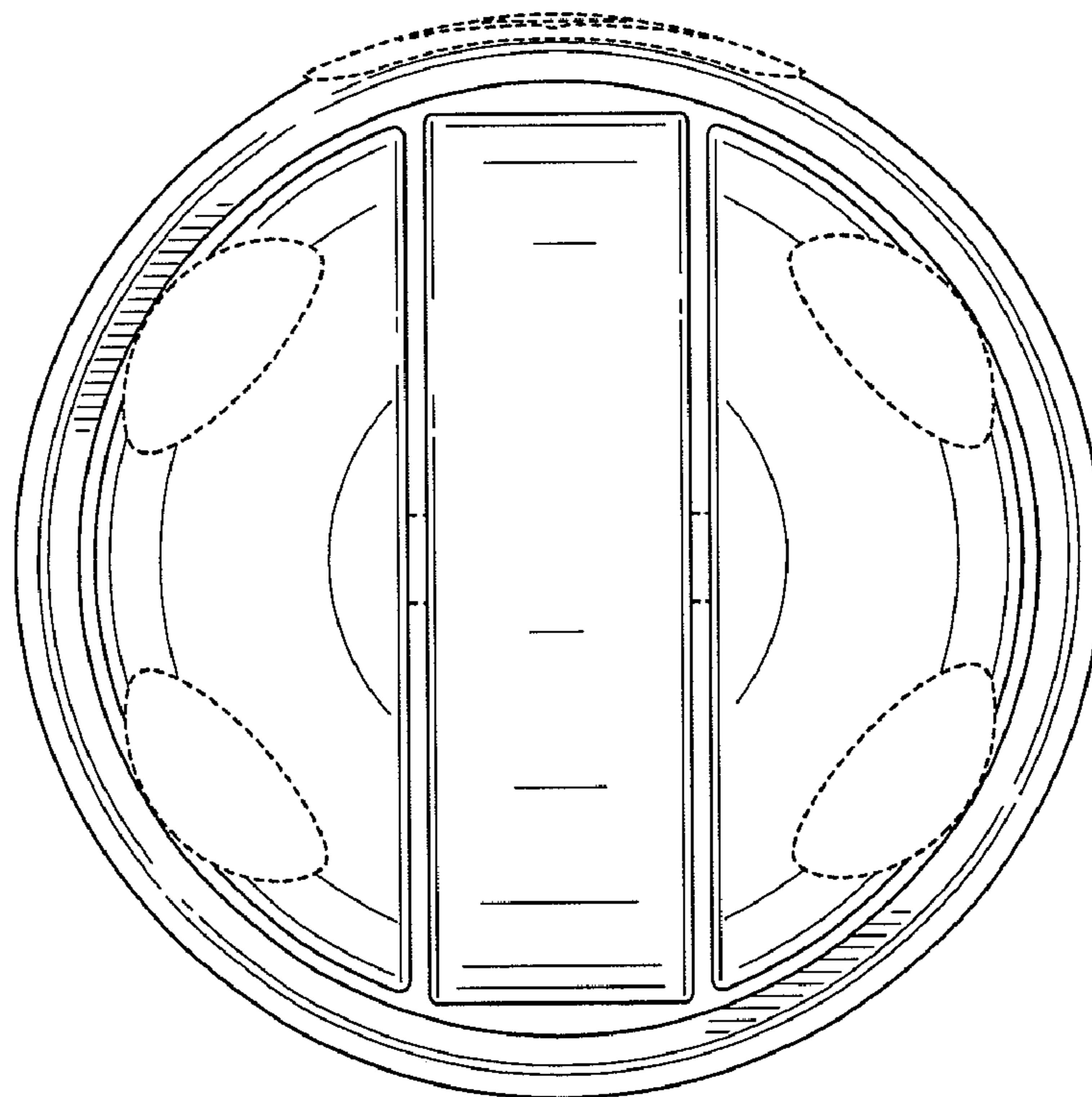


FIG. 5

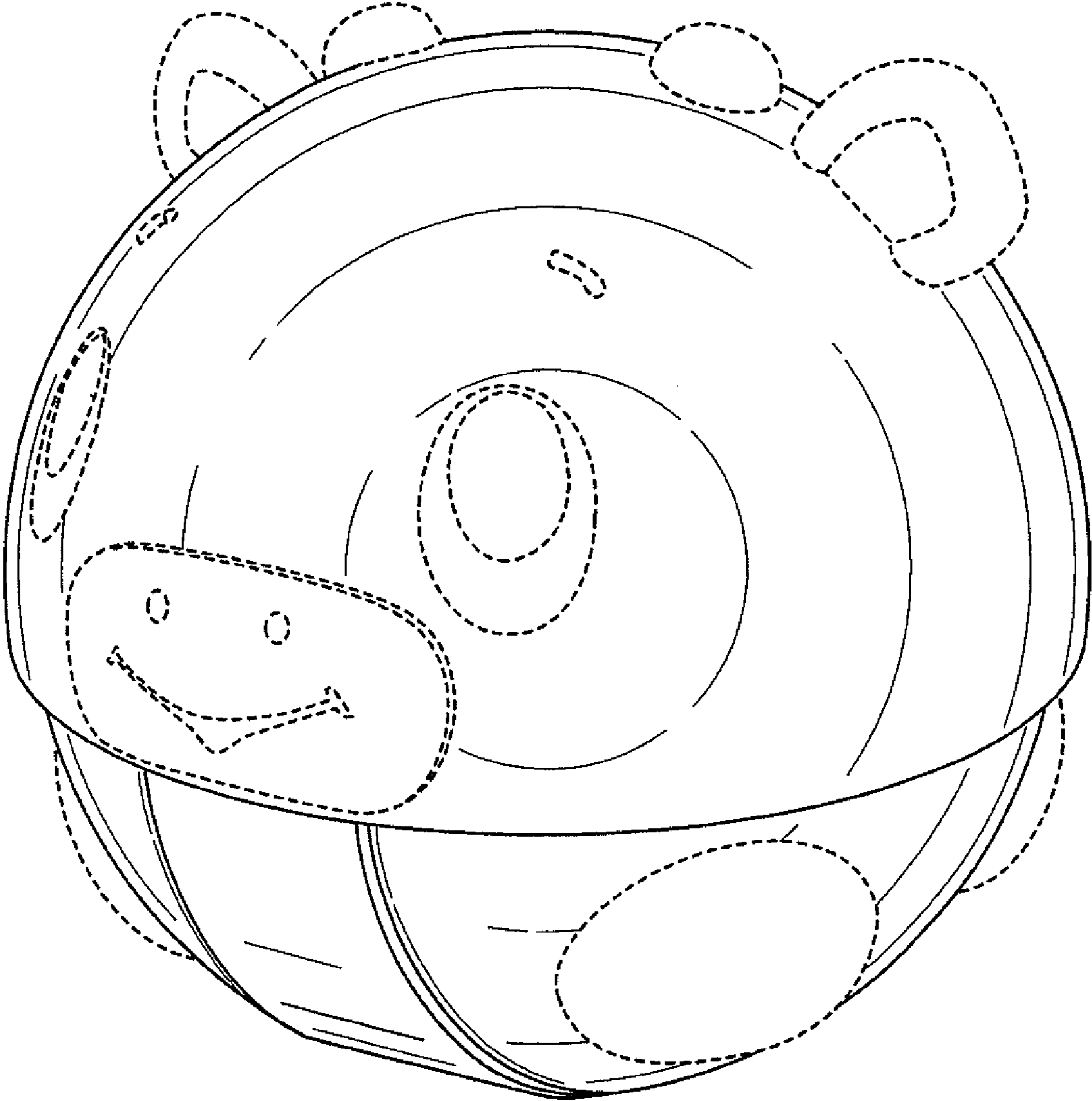


FIG. 6