

US00D675677S

(12) **United States Design Patent**
Barili

(10) **Patent No.:** **US D675,677 S**

(45) **Date of Patent:** **** Feb. 5, 2013**

(54) **AUTOMATIC BEVERAGE VENDING MACHINES**

Primary Examiner — Mary Ann Calabrese

(74) *Attorney, Agent, or Firm* — Workman Nydegger

(75) Inventor: **Sergio Pesenti Barili**, Valbrembo (IT)

(73) Assignee: **N&W Global Vending S.p.A.**,
Valbrembo (IT)

(57) **CLAIM**

The ornamental design for automatic beverage vending machines, as shown.

(**) Term: **14 Years**

(21) Appl. No.: **29/392,645**

(22) Filed: **May 24, 2011**

(30) **Foreign Application Priority Data**

Nov. 24, 2010 (EM) 001246474-0001
Nov. 24, 2010 (EM) 001246474-0002
Nov. 24, 2010 (EM) 001246474-0003

(51) **LOC (9) Cl.** **20-01**

(52) **U.S. Cl.** **D20/4; D7/309; D7/311; D7/306**

(58) **Field of Classification Search** D20/1-9;
221/6, 12, 123, 124, 149, 150 R, 155, 156,
221/159, 187, 190, 251; D7/300, 305, 307,
D7/308-312; 62/389-400; 194/239
See application file for complete search history.

(56) **References Cited**

U.S. PATENT DOCUMENTS

D185,833 S * 8/1959 Bruntjen D7/311
D287,029 S * 12/1986 Oakley et al. D20/4
D287,089 S * 12/1986 Cesaroni D7/309
D337,019 S * 7/1993 Newnan D7/308
D359,874 S * 7/1995 Smith et al. D7/311
D367,989 S * 3/1996 Mills et al. D7/308
5,537,838 A * 7/1996 Mills et al. 62/400
D375,650 S * 11/1996 Saito et al. D7/307
D408,206 S * 4/1999 Stafford et al. D7/306
D529,750 S * 10/2006 Baron et al. D7/307
D598,693 S * 8/2009 Kindler et al. D7/309

* cited by examiner

DESCRIPTION

FIG. 1 is a perspective view of an automatic beverage vending machines;

FIG. 2 is a perspective view thereof in an alternate position in which the delivery nozzles are in a lower position;

FIG. 3 is a front elevational view thereof;

FIG. 4 is a left side elevational view thereof;

FIG. 5 is a right side elevational view thereof;

FIG. 6 is a rear elevational view thereof;

FIG. 7 is a top plan view thereof;

FIG. 8 is a perspective view of another embodiment of an automatic beverage vending machines;

FIG. 9 is a perspective view thereof in an alternate position in which the delivery nozzles are in a lower position;

FIG. 10 is a front elevational view thereof;

FIG. 11 is a left side elevational view thereof;

FIG. 12 is a right side elevational view thereof;

FIG. 13 is a rear elevational view thereof;

FIG. 14 is a top plan view thereof;

FIG. 15 is a perspective view of yet another embodiment of an automatic beverage vending machines;

FIG. 16 is a perspective view thereof in an alternate position in which the delivery nozzles are in a lower position;

FIG. 17 is a front elevational view thereof;

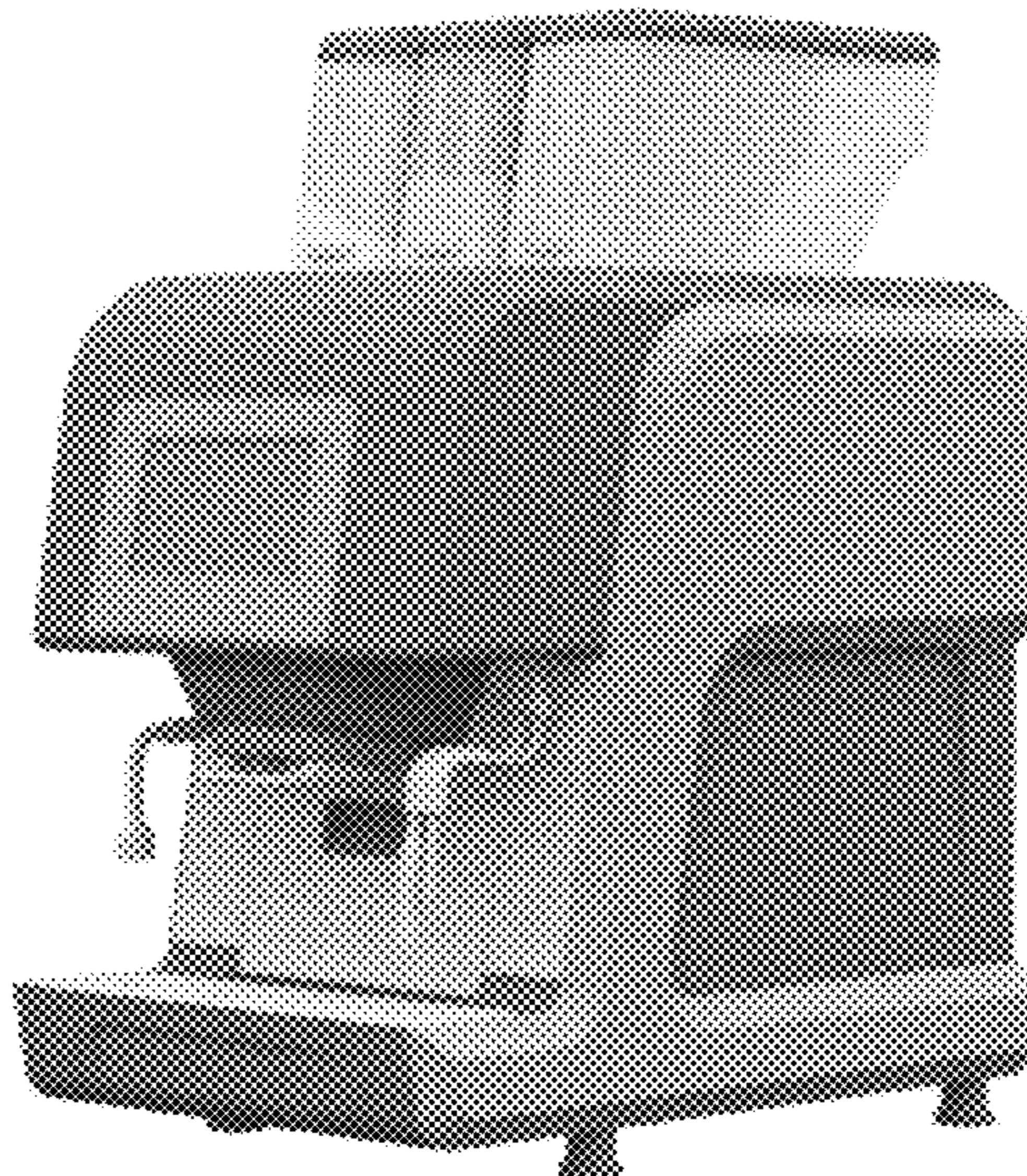
FIG. 18 is a left side elevational view thereof;

FIG. 19 is a right side elevational view thereof;

FIG. 20 is a rear elevational view thereof; and,

FIG. 21 is a top plan view thereof.

1 Claim, 21 Drawing Sheets



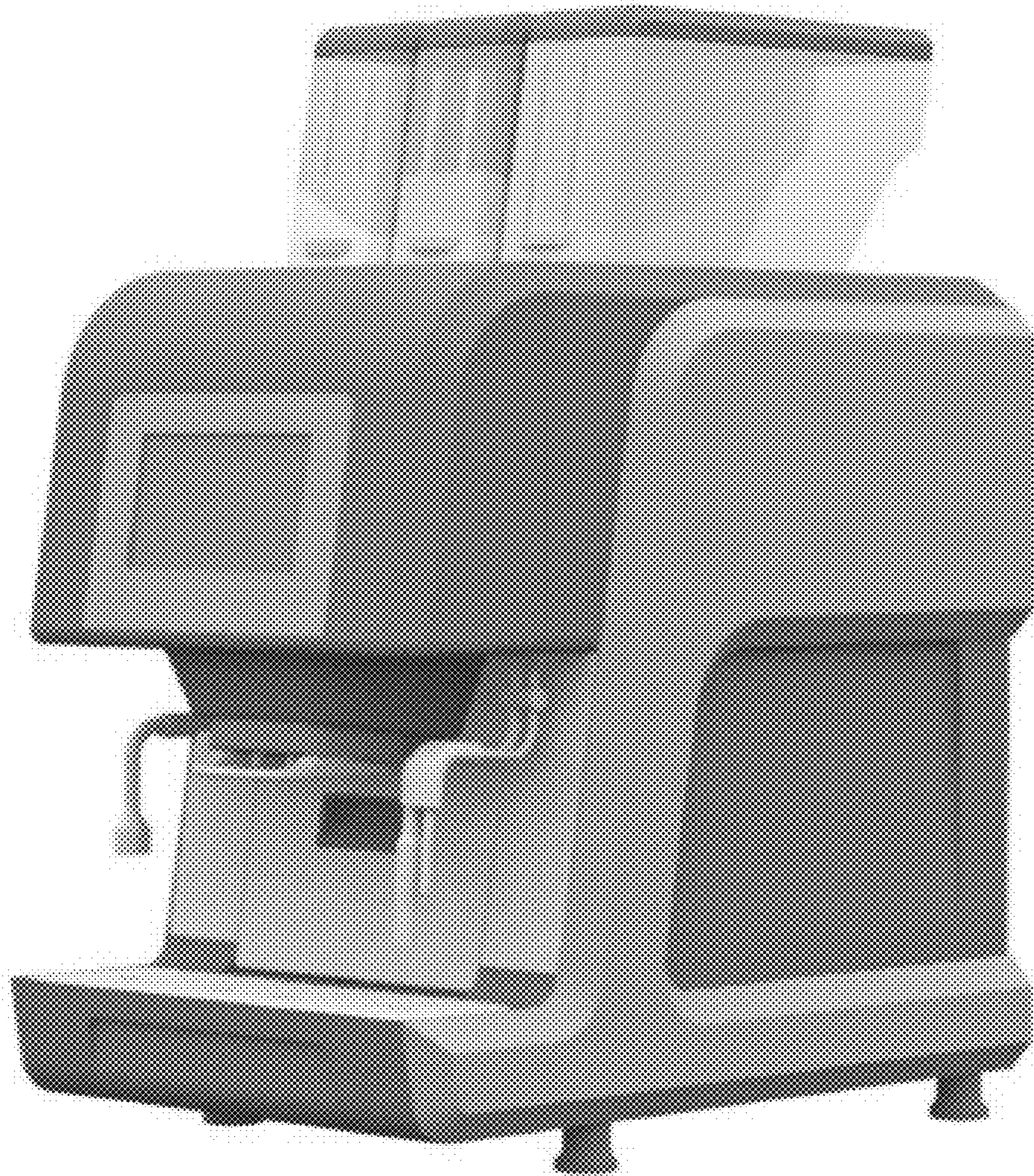


FIG. 1

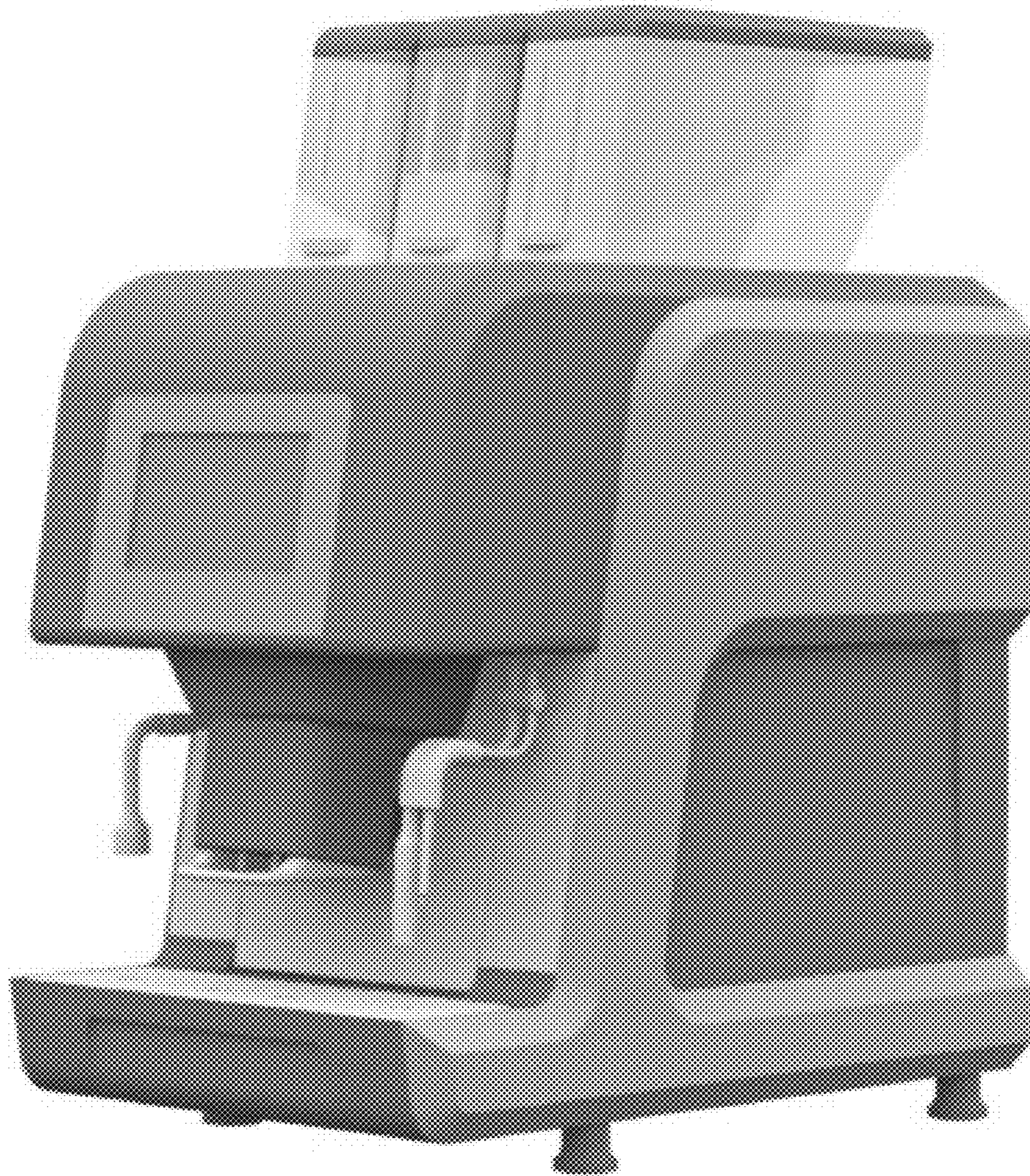


FIG. 2

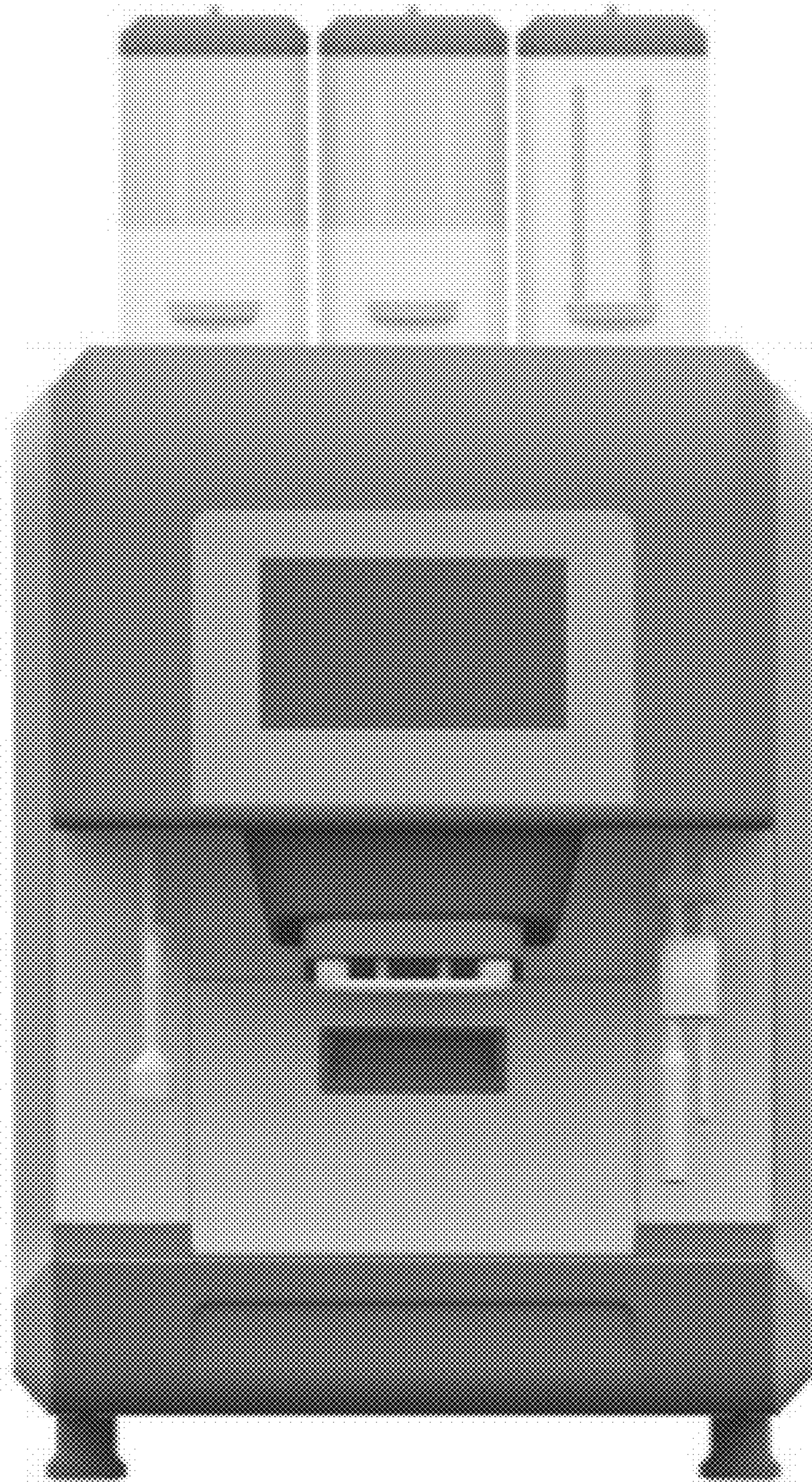


FIG. 3

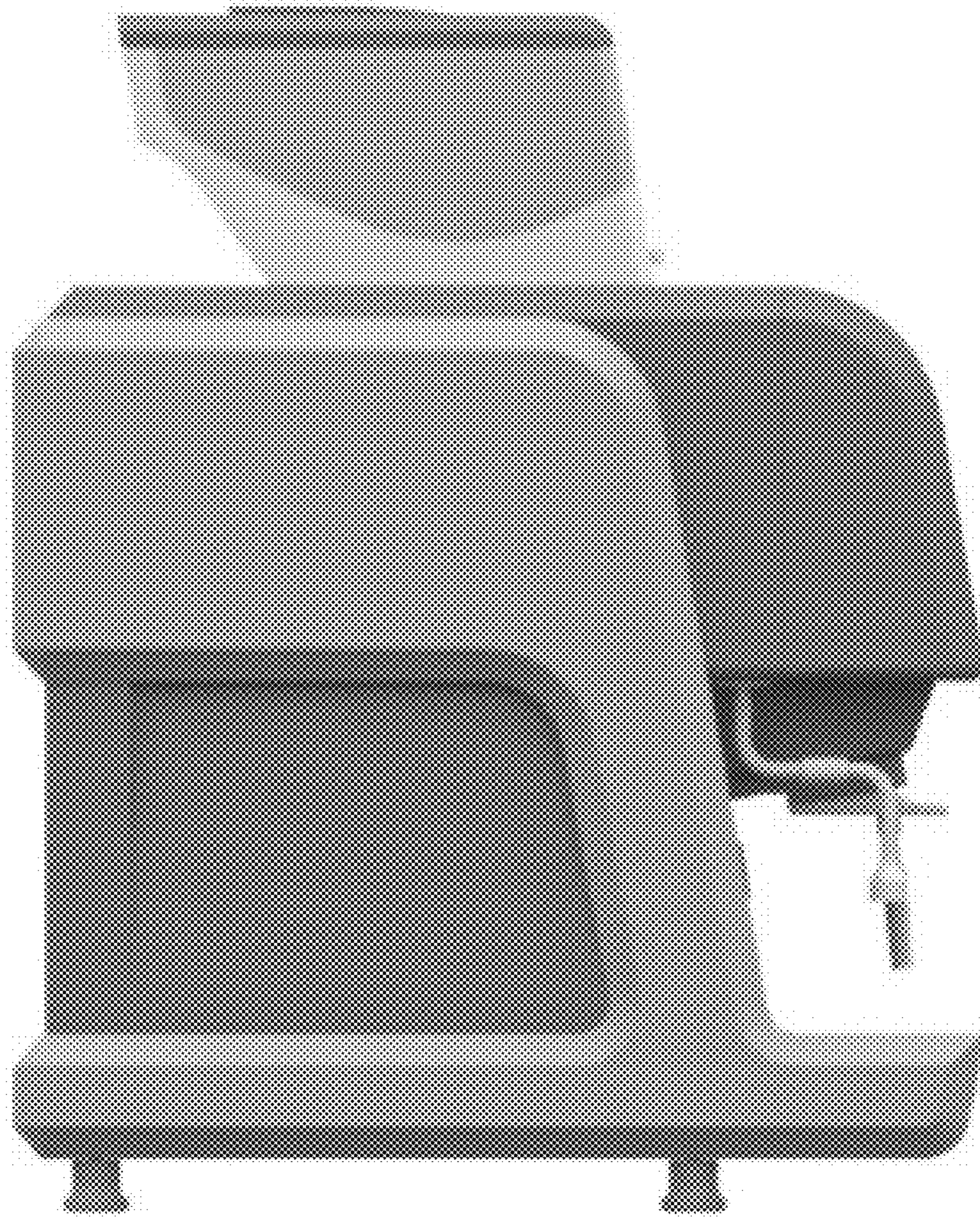


FIG. 4

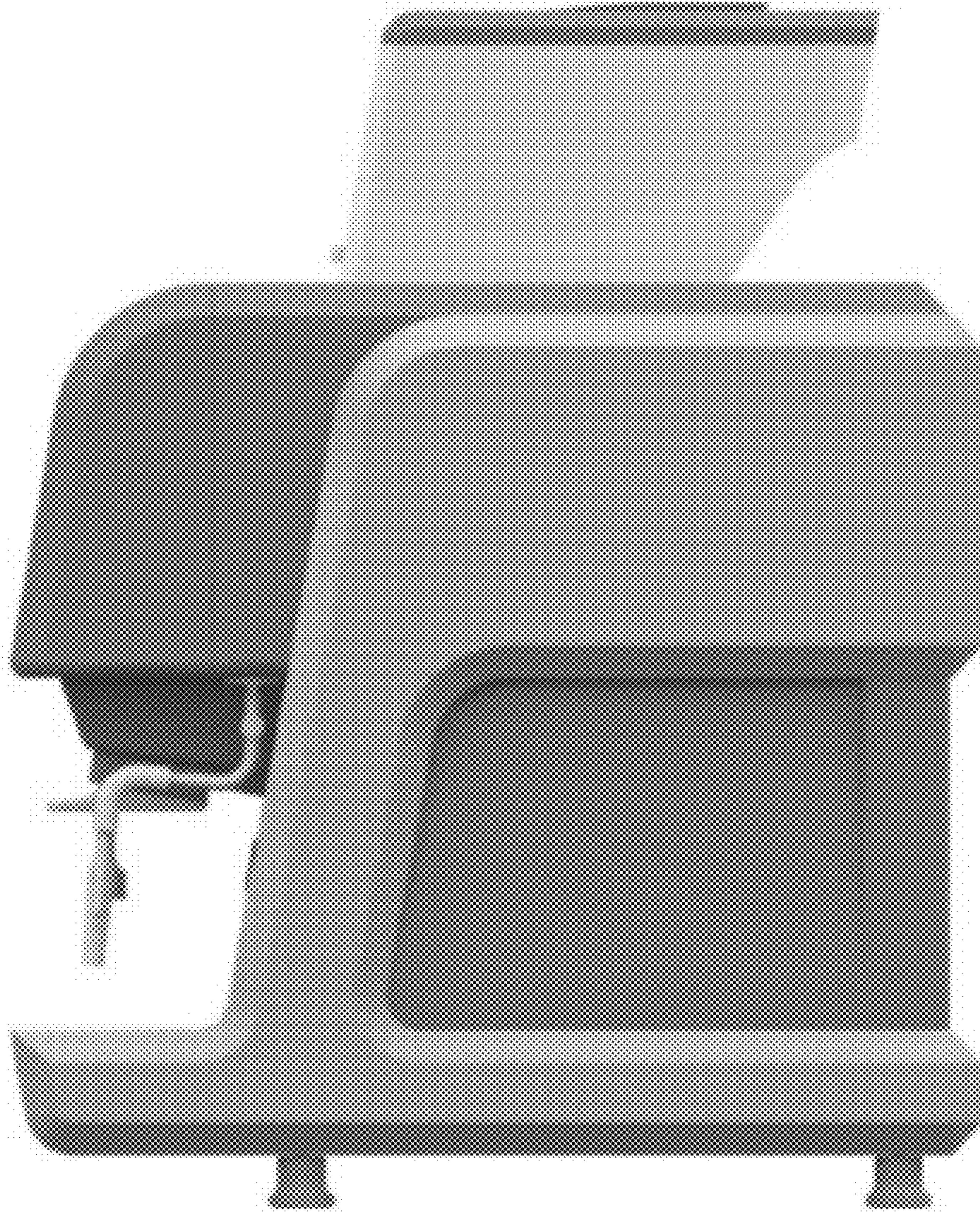


FIG. 5

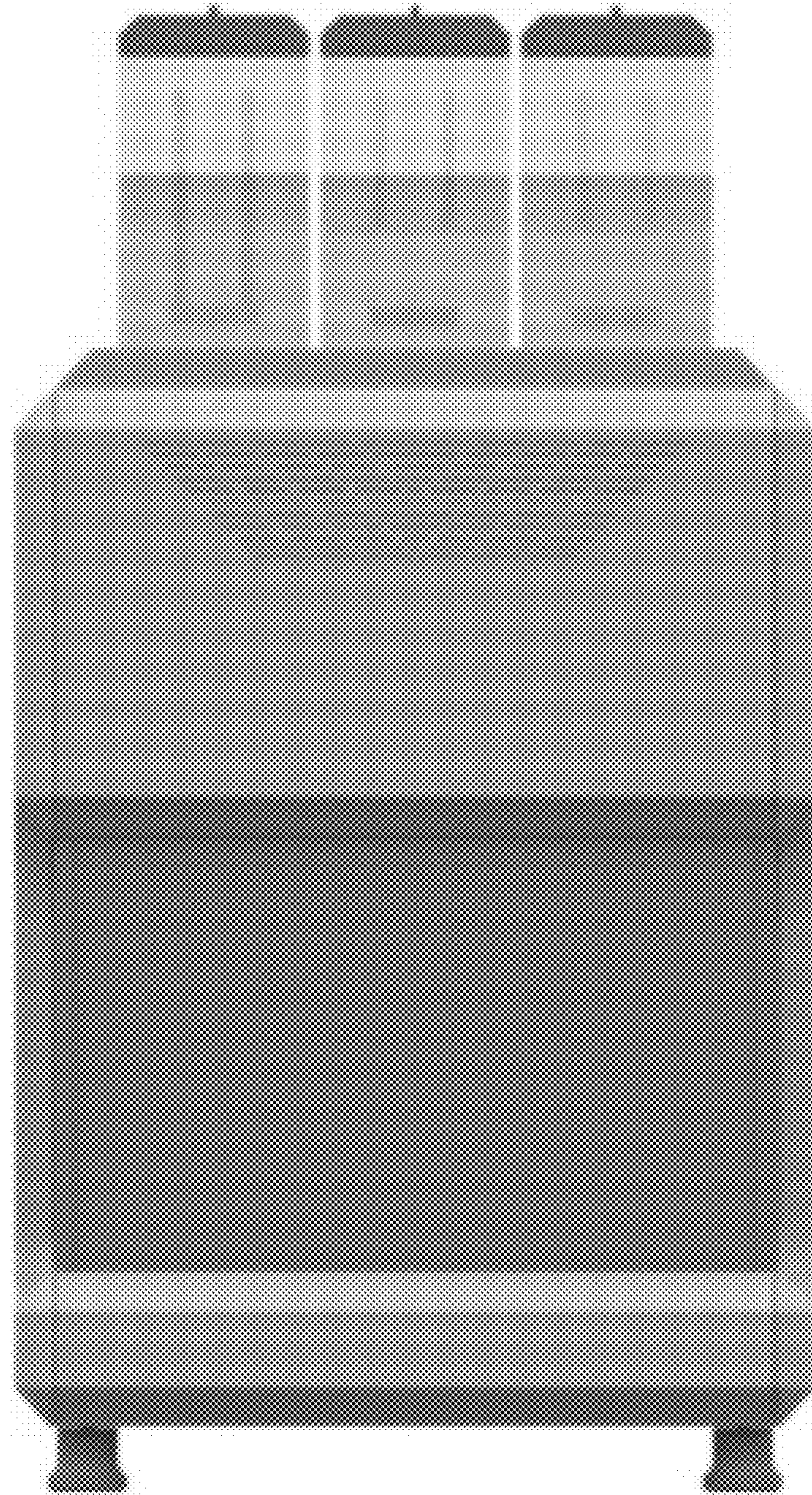


FIG. 6

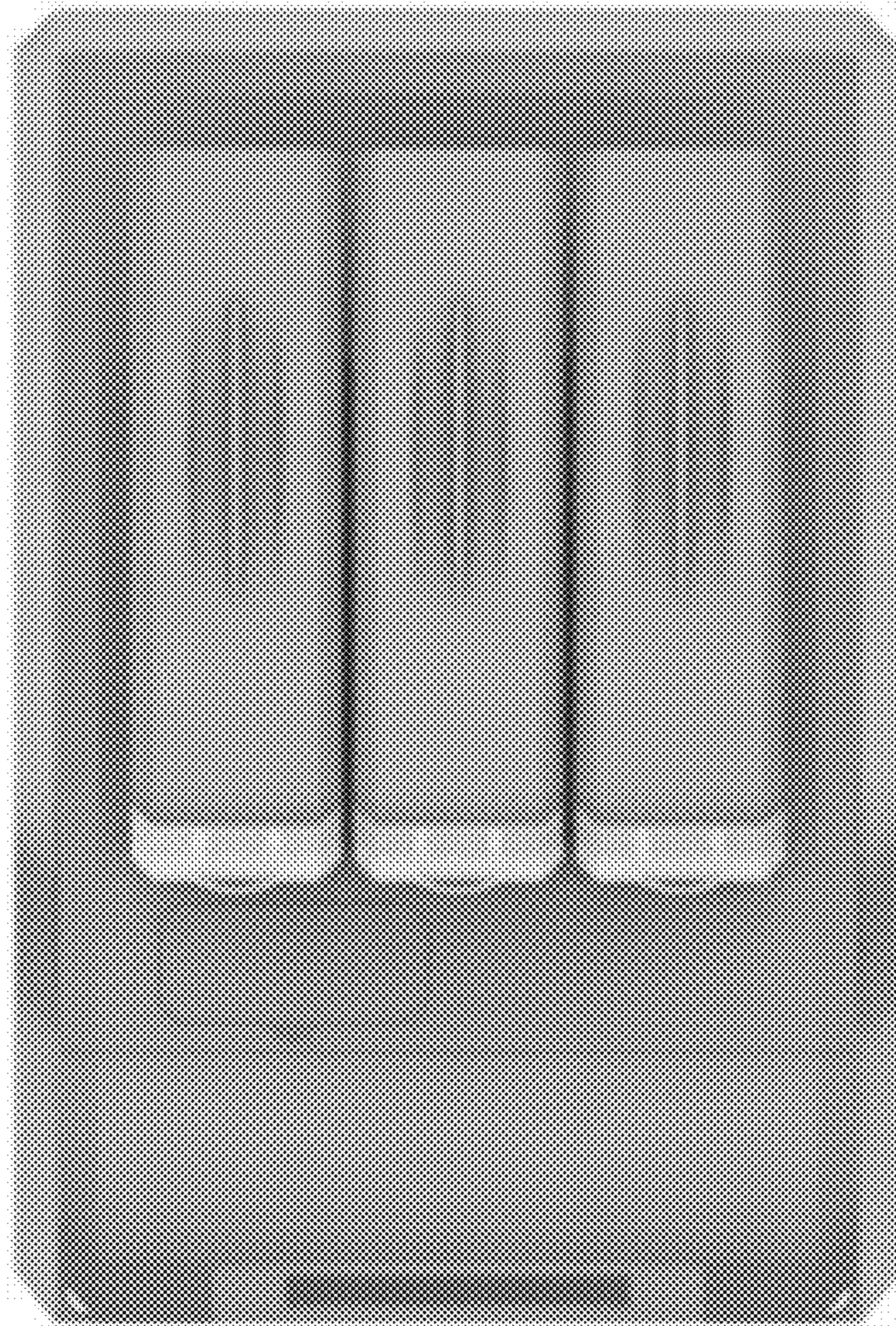


FIG. 7



FIG. 8

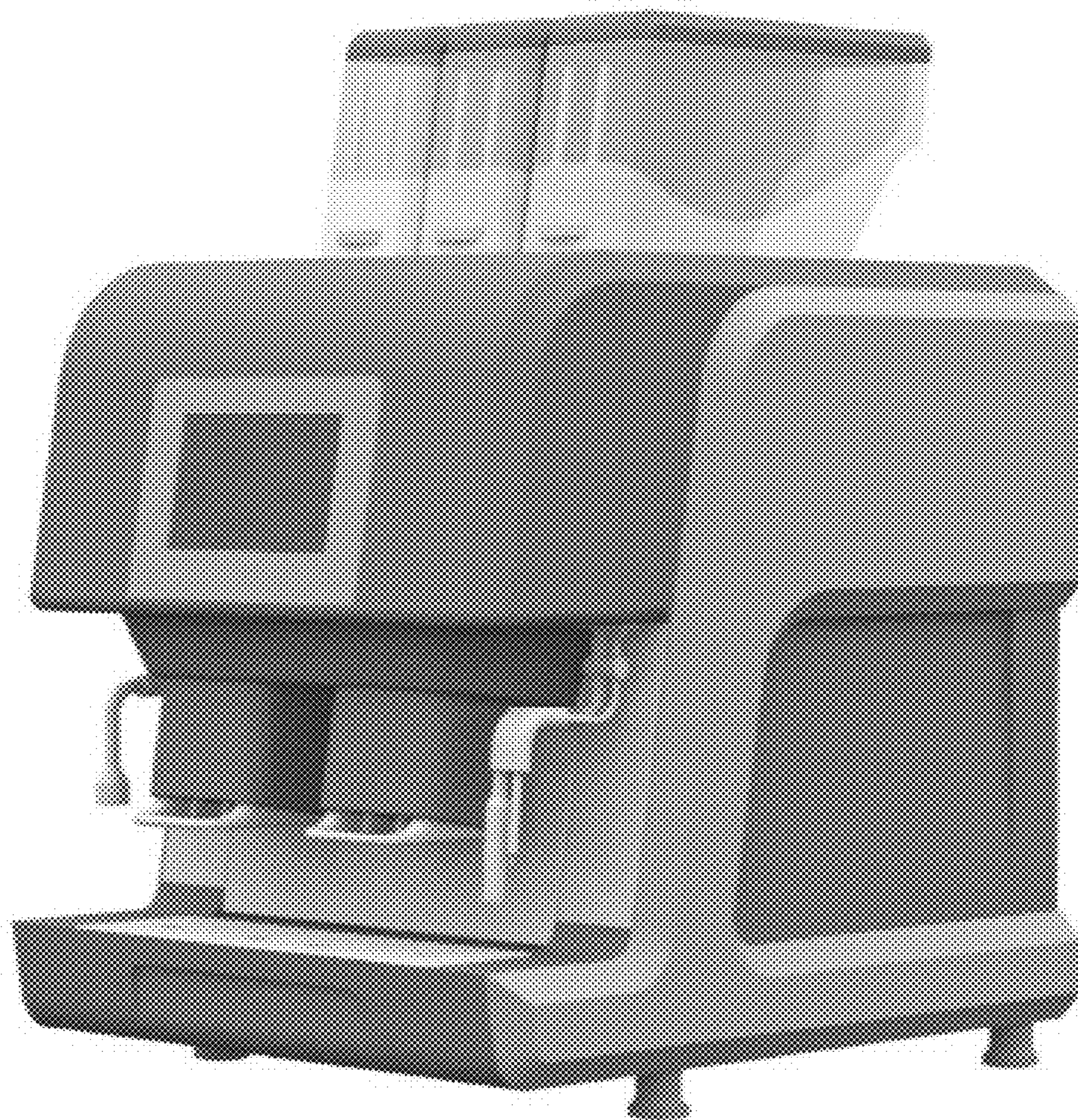


FIG. 9

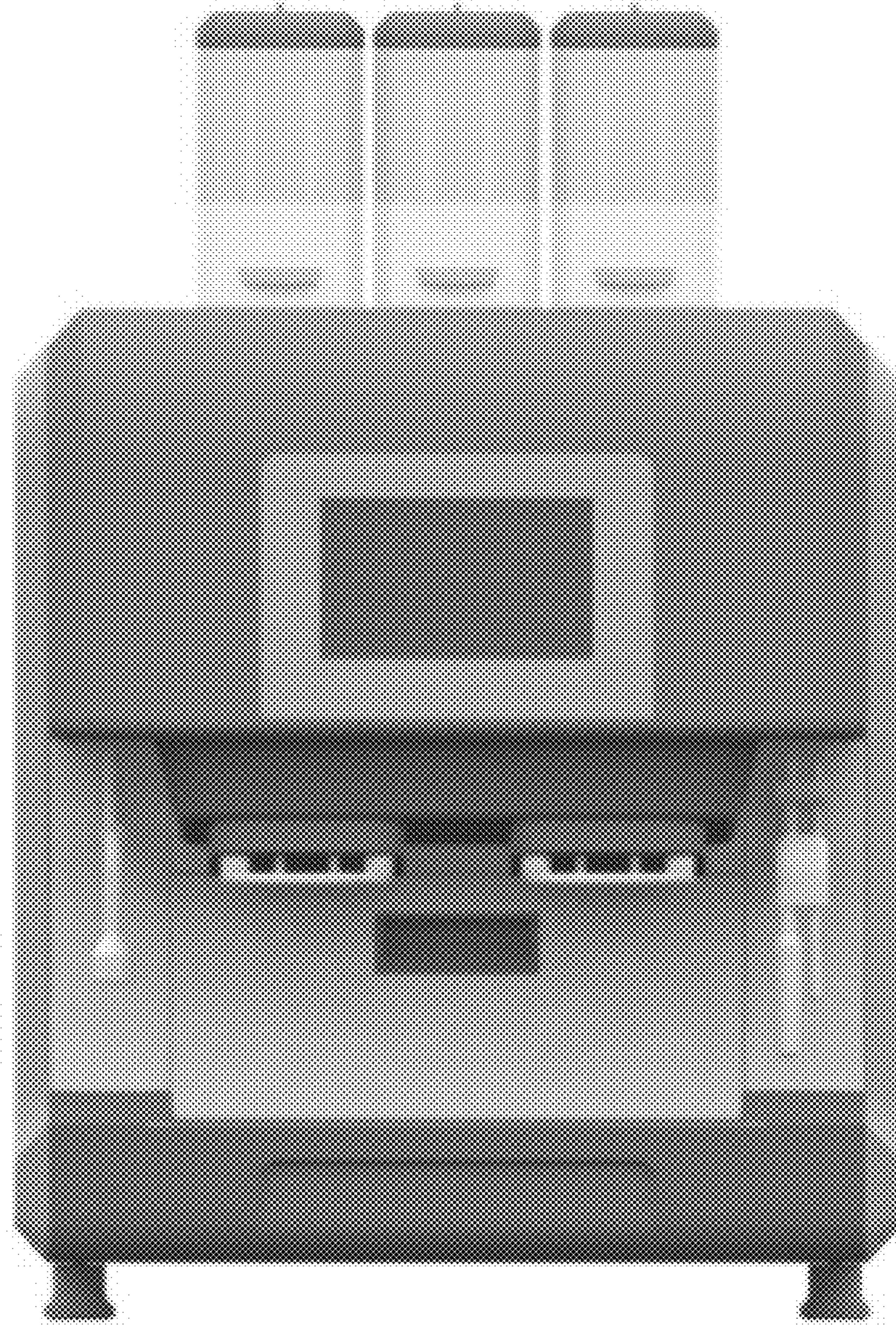


FIG. 10

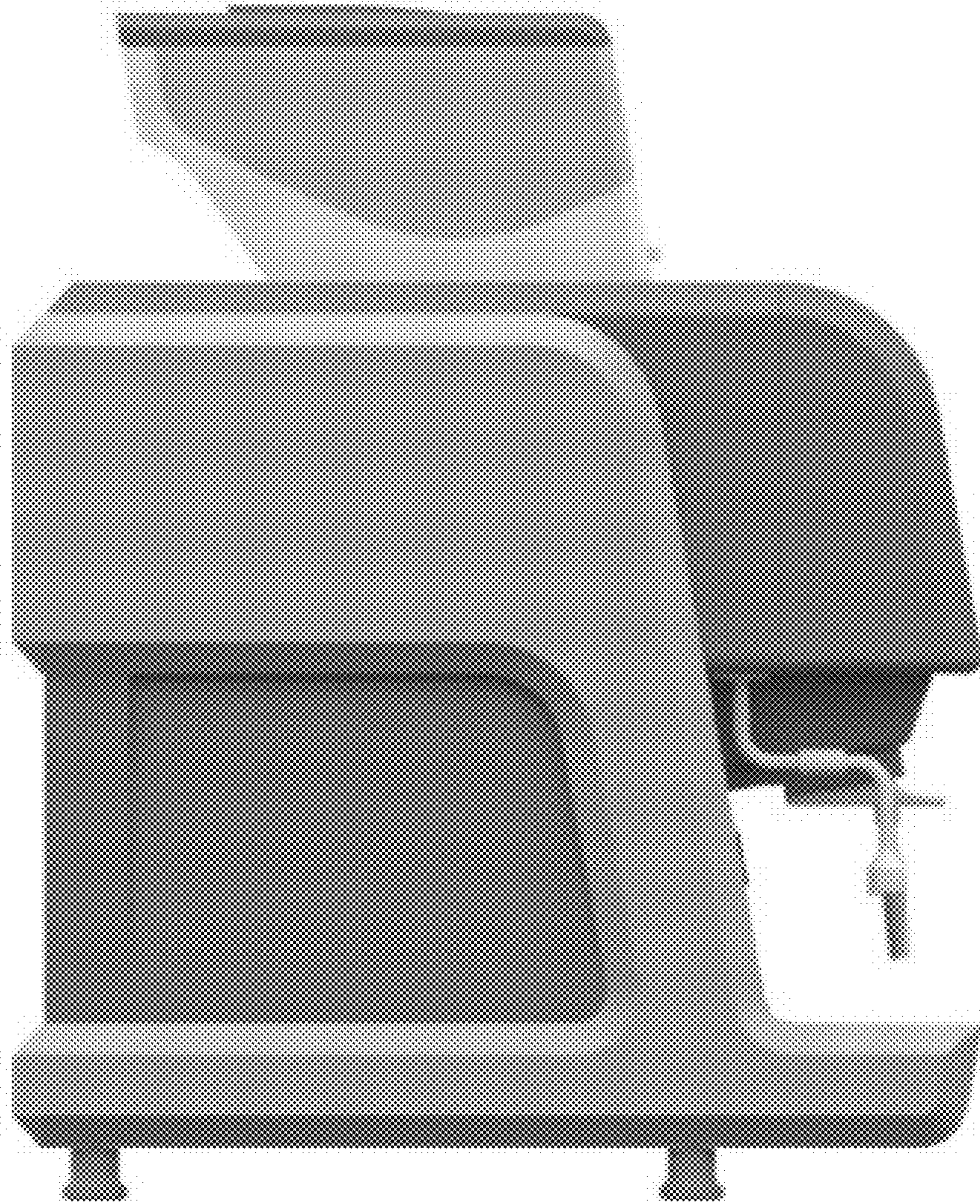


FIG. 11

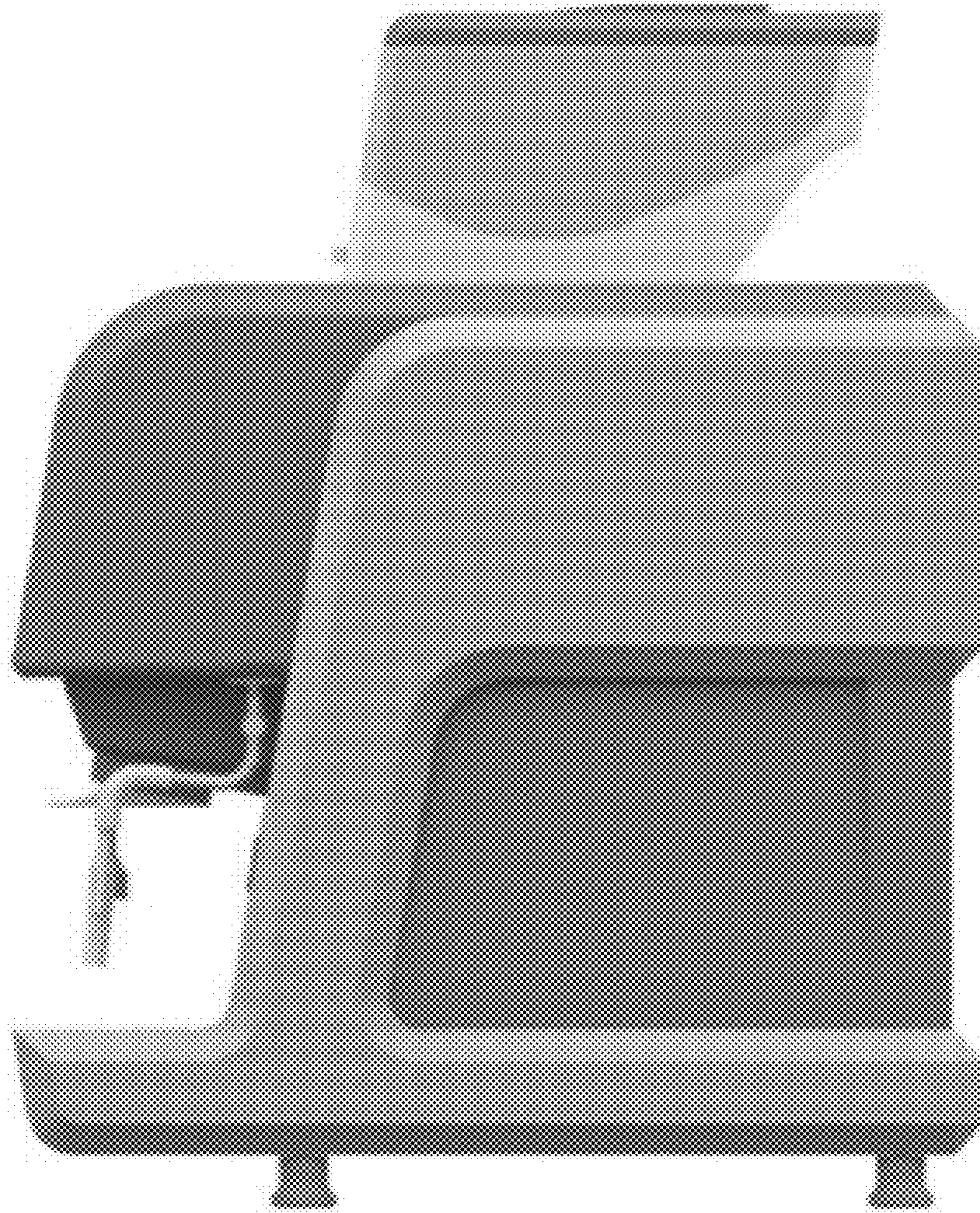


FIG. 12

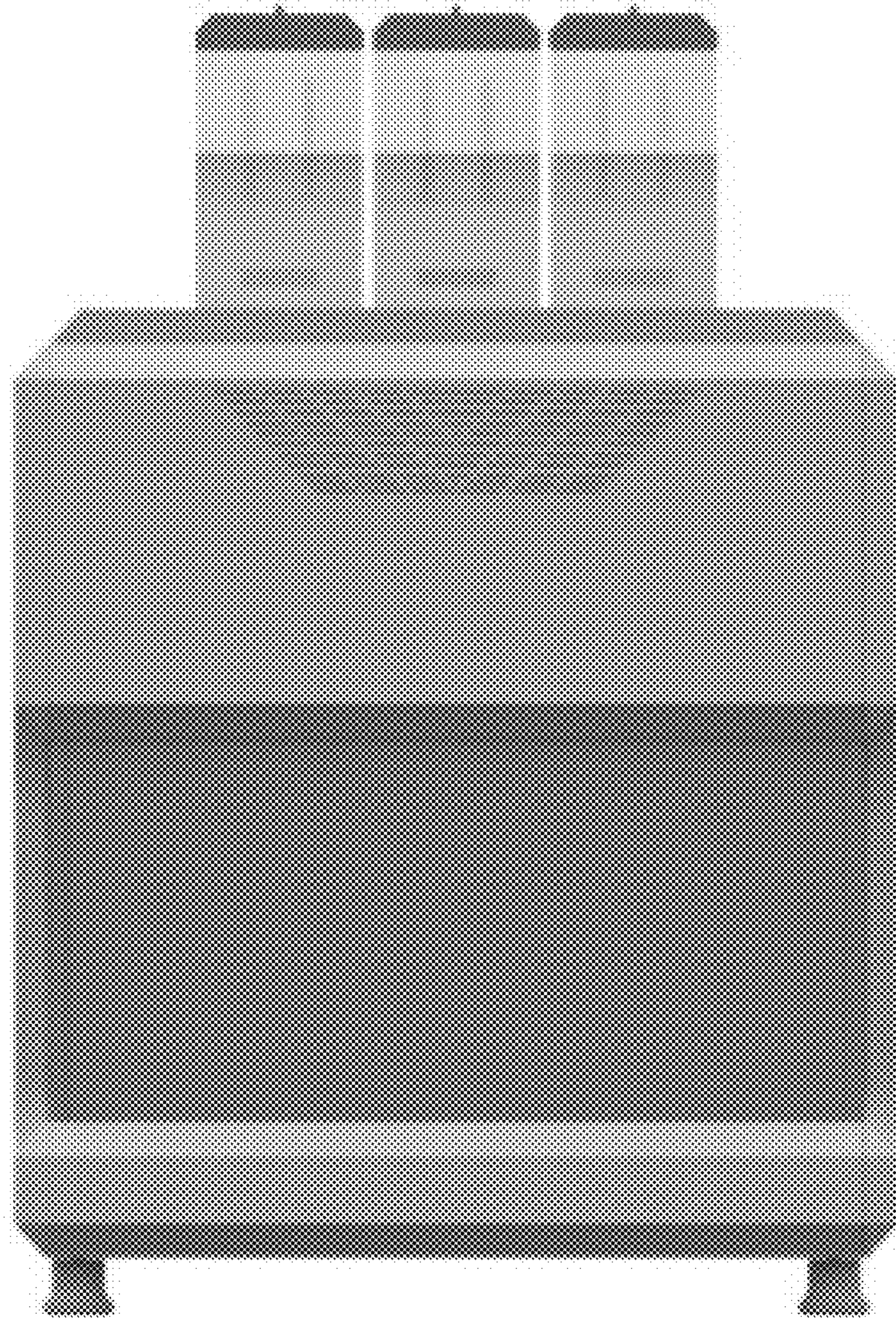


FIG. 13

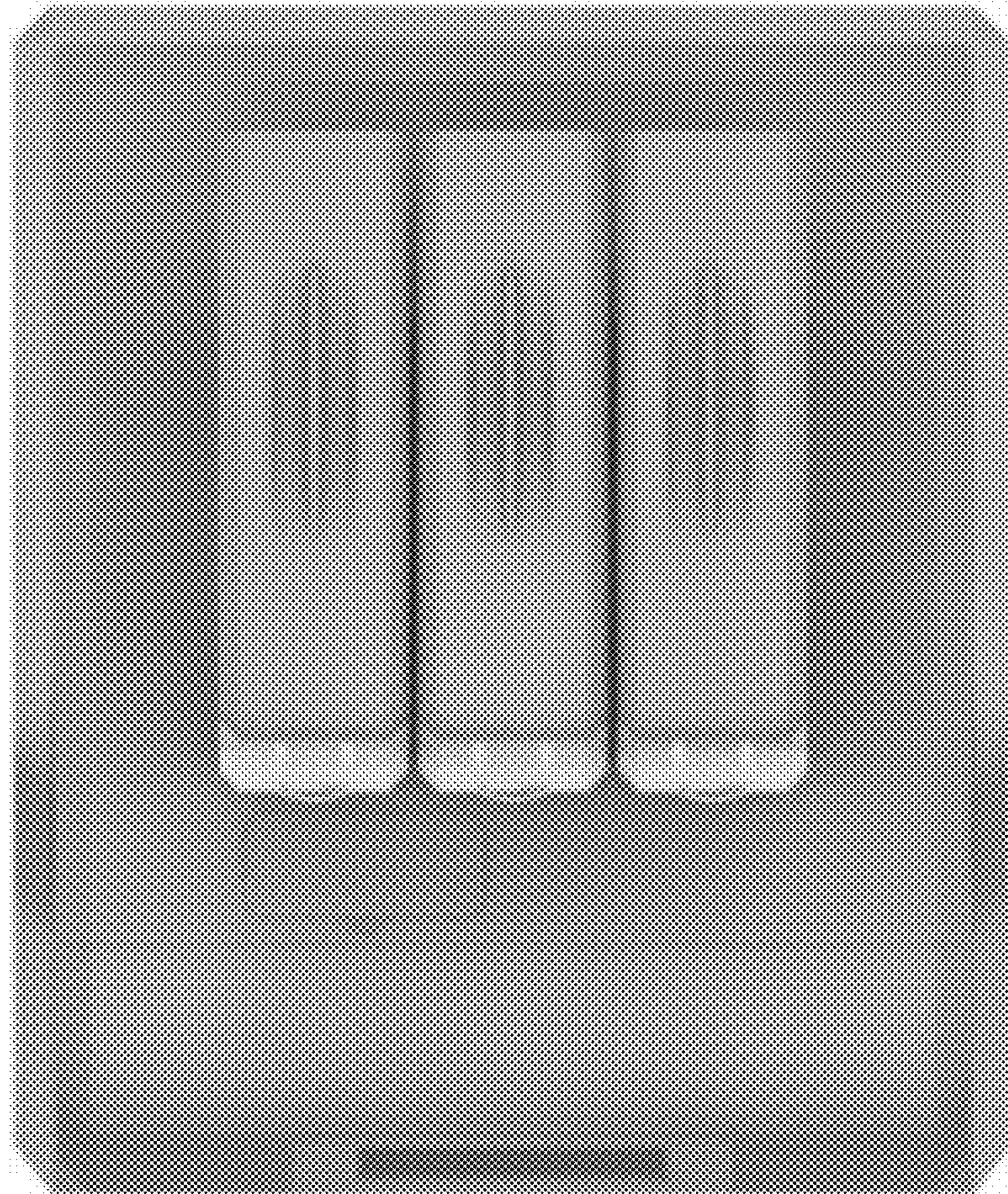


FIG. 14



FIG. 15

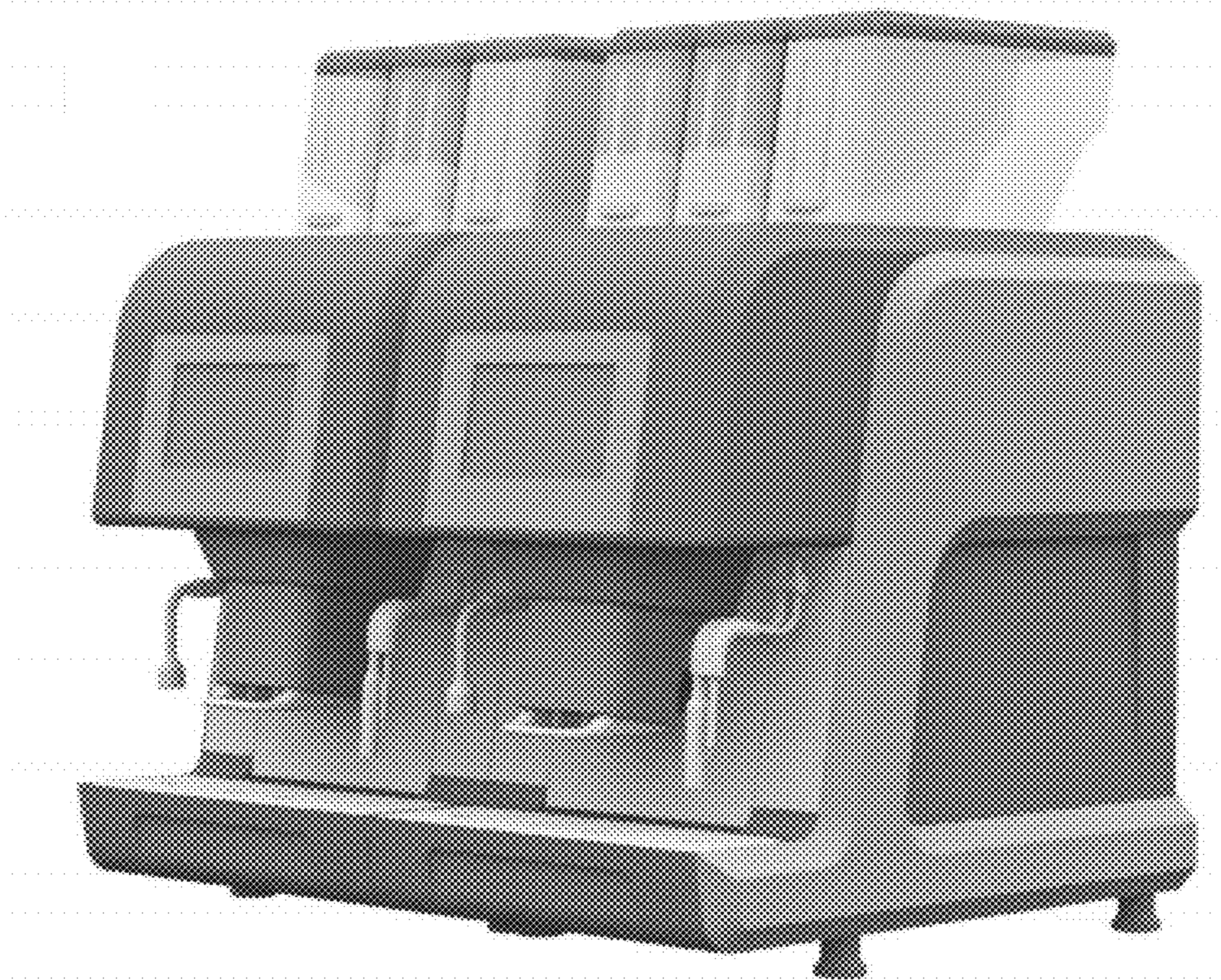


FIG. 16

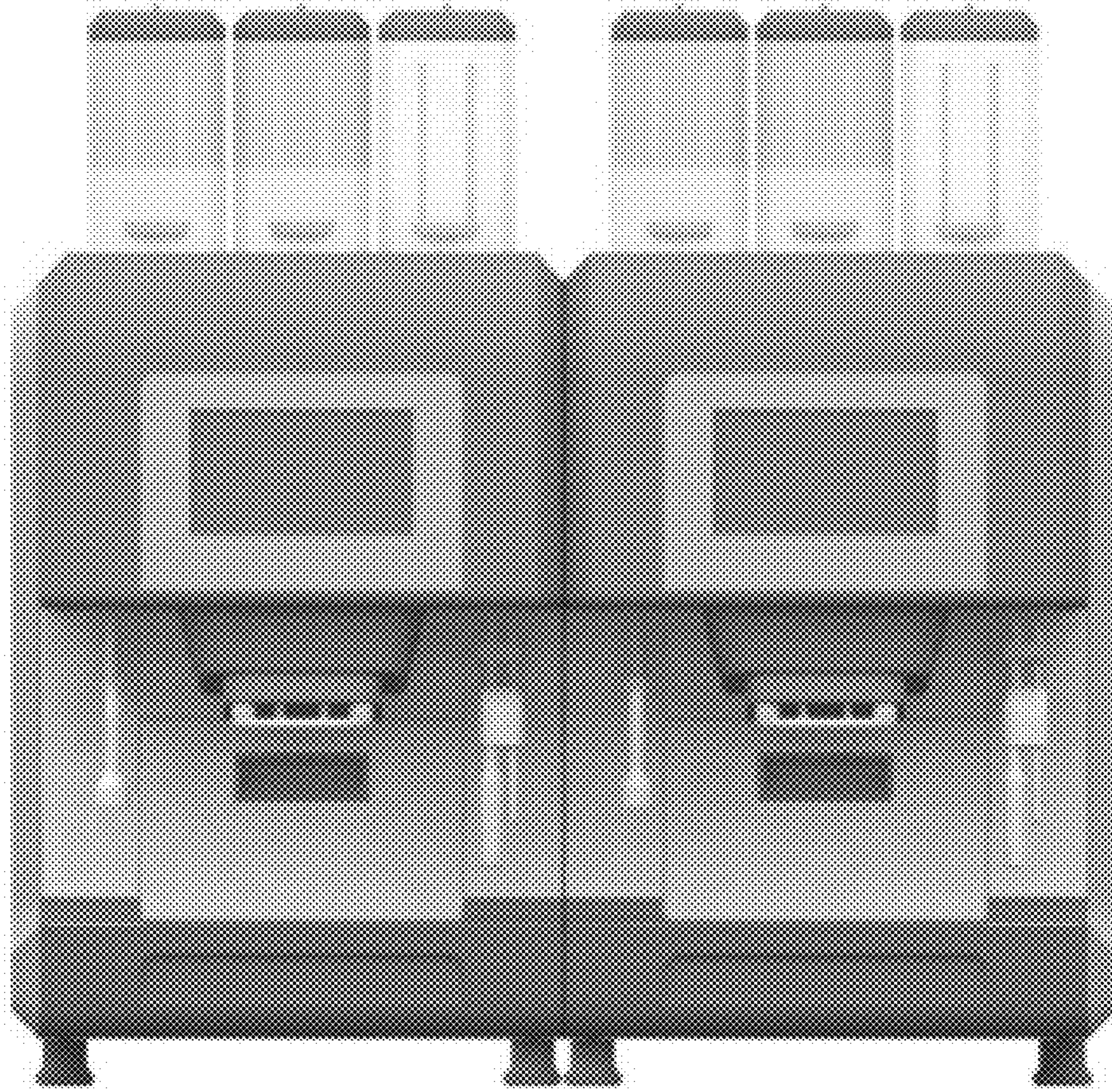


FIG. 17

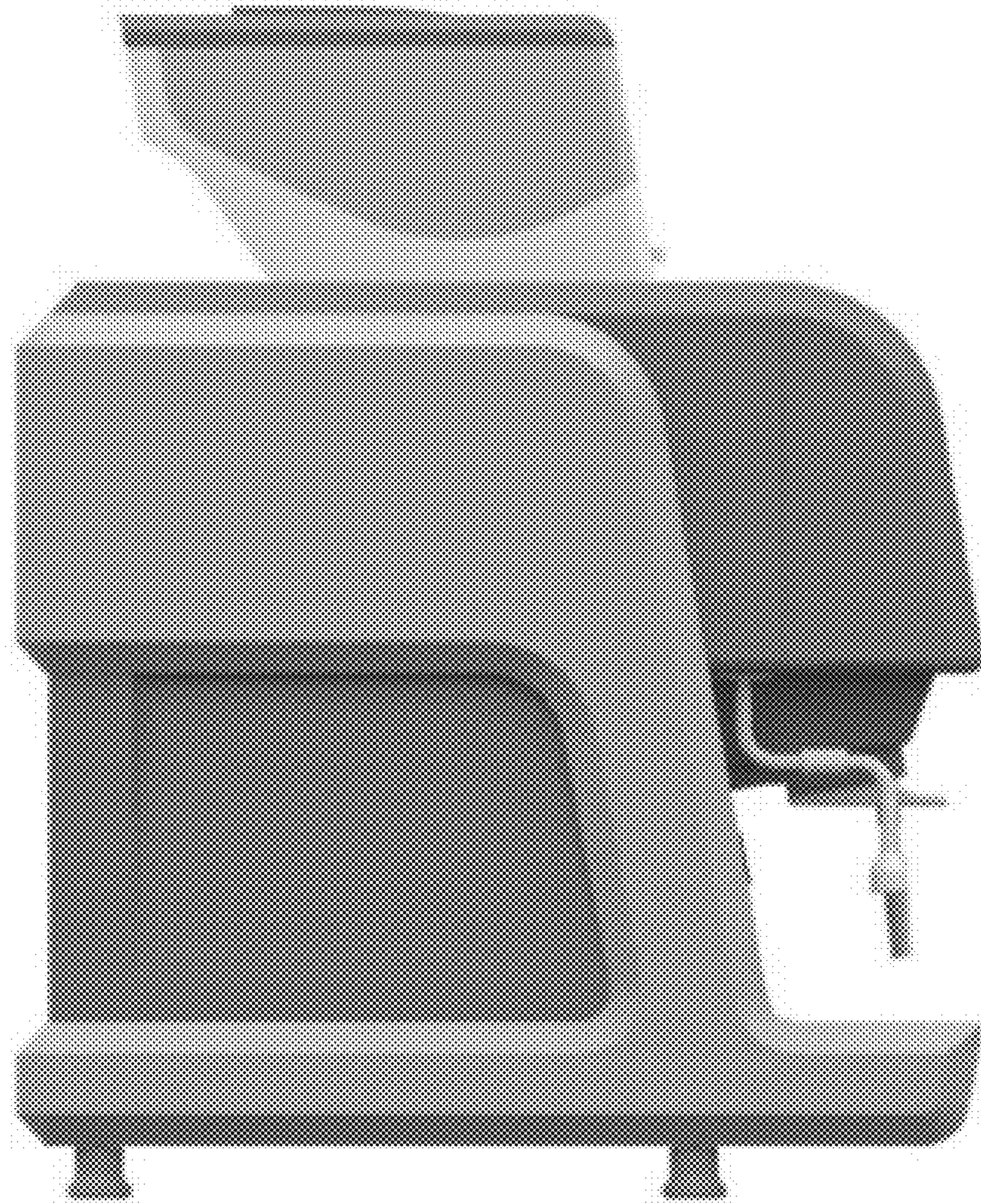


FIG. 18

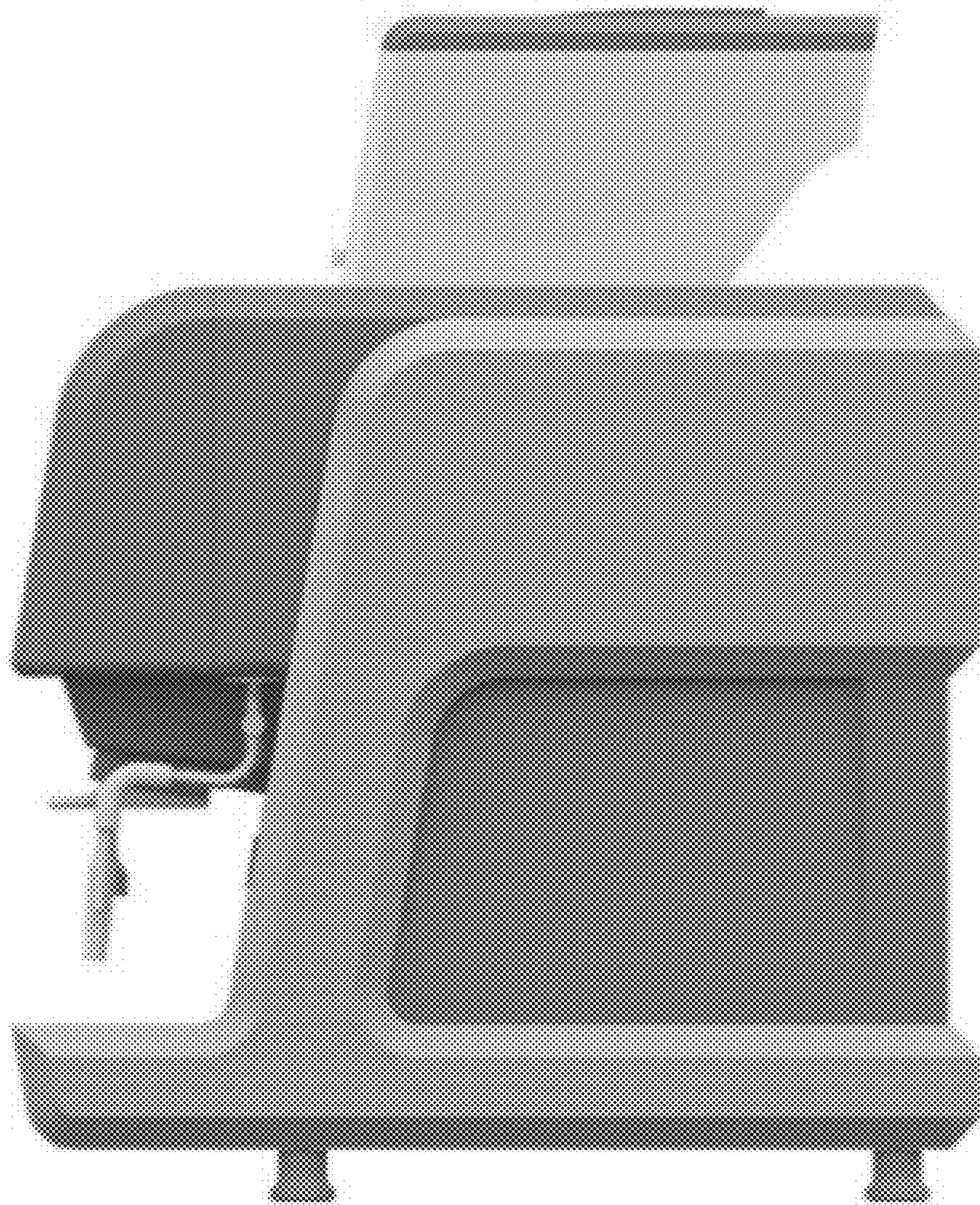


FIG. 19

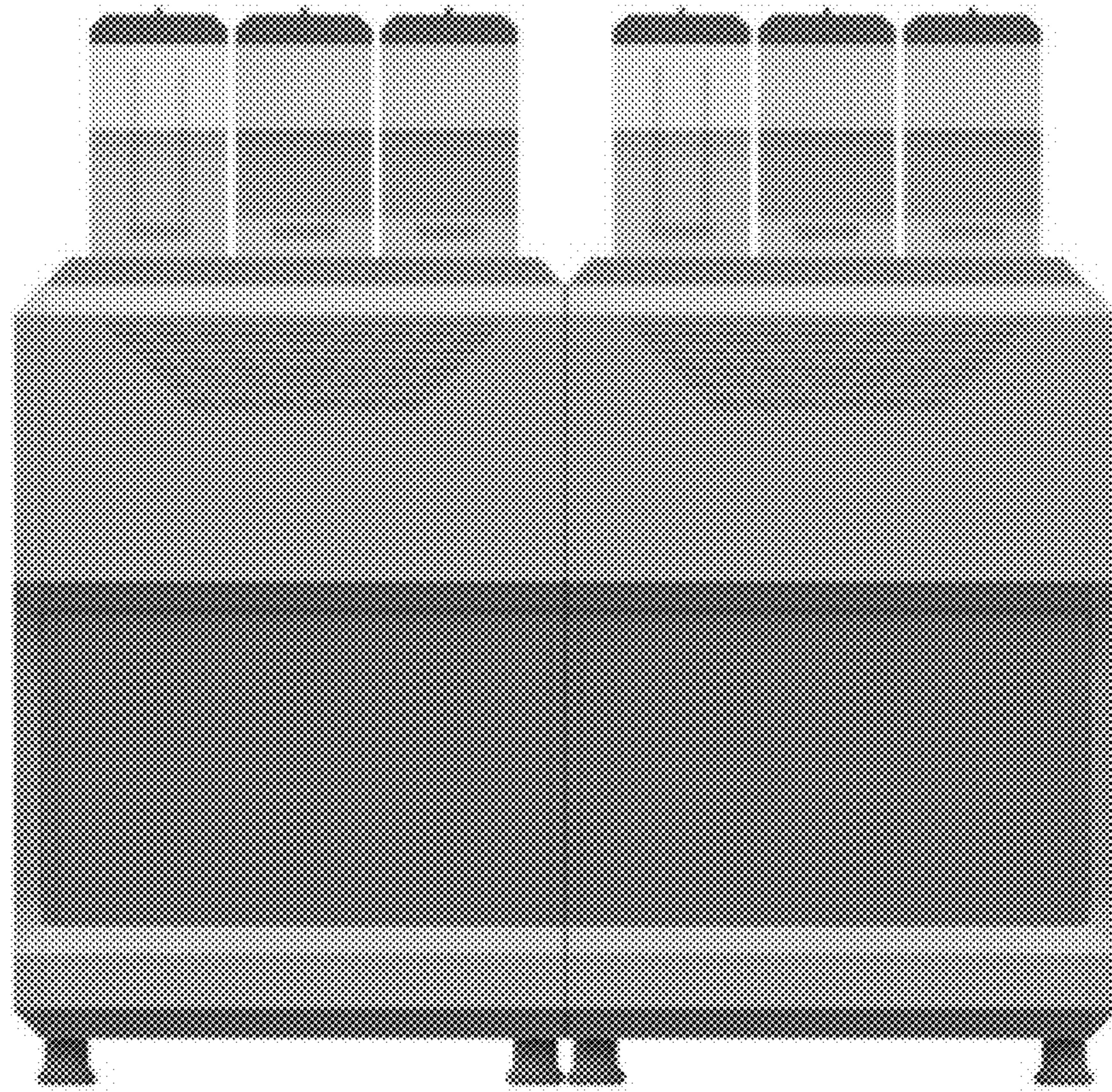


FIG. 20

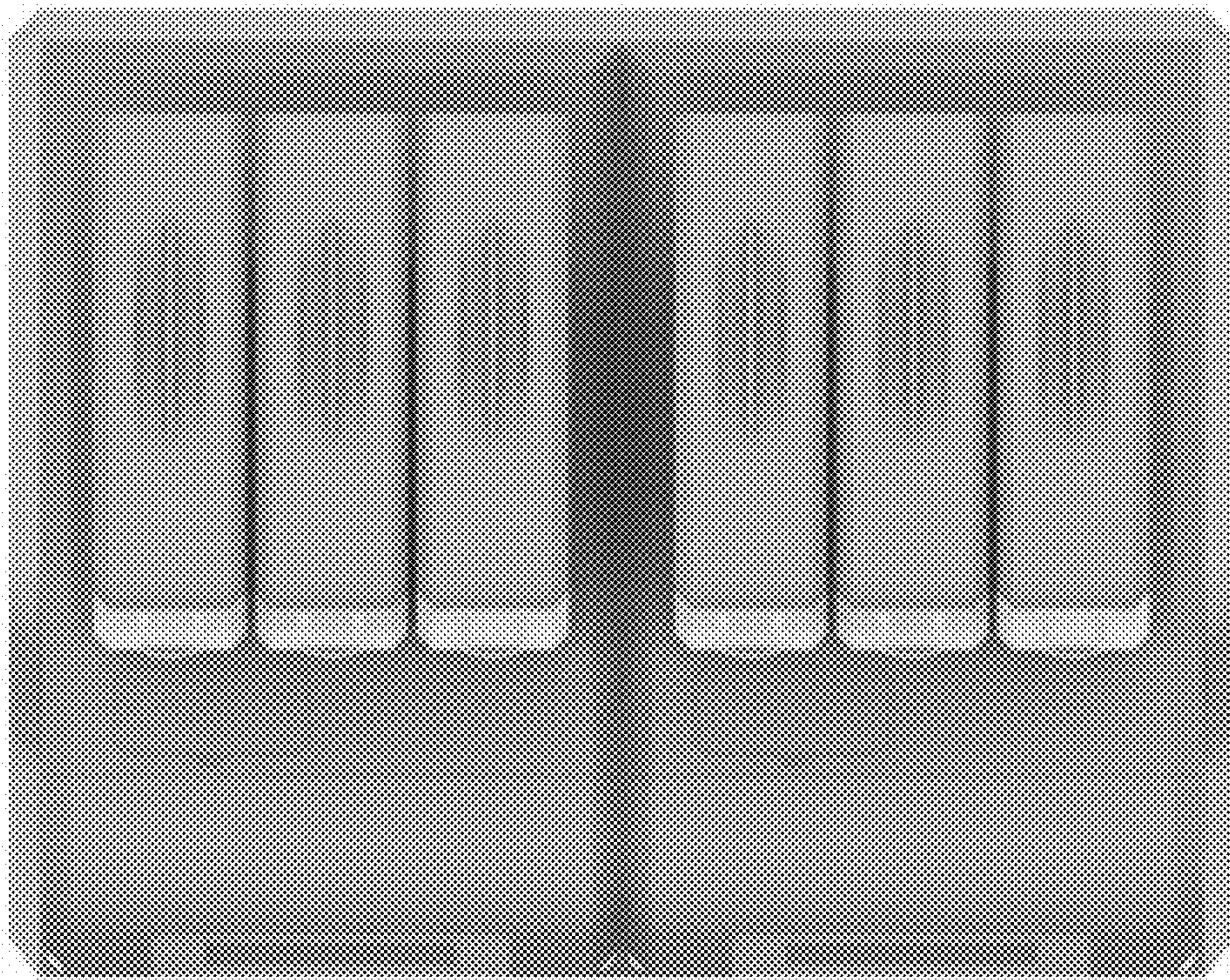


FIG. 21